



US00D597150S

(12) **United States Design Patent**  
**Oikawa et al.**

(10) **Patent No.:** **US D597,150 S**  
(45) **Date of Patent:** **\*\* Jul. 28, 2009**

(54) **VEHICLE FOR PLAY USE**

D395,470 S \* 6/1998 Rahbek ..... D21/484  
D412,725 S \* 8/1999 Nielsen et al. .... D21/495

(75) Inventors: **Akitoshi Oikawa**, Tokyo (JP); **Masaki Kawabata**, Tokyo (JP)

\* cited by examiner

(73) Assignee: **Kabushiki Kaisha Sega**, Tokyo (JP)

*Primary Examiner*—Holly H Baynham

*Assistant Examiner*—Cynthia M Chin

(\*\*) Term: **14 Years**

(74) *Attorney, Agent, or Firm*—Dickstein Shapiro LLP

(21) Appl. No.: **29/309,747**

(57) **CLAIM**

(22) Filed: **Oct. 1, 2008**

The ornamental design for a vehicle for play use, as shown and described.

(30) **Foreign Application Priority Data**

**DESCRIPTION**

Apr. 1, 2008 (JP) ..... 2008-008276

(51) **LOC (9) Cl.** ..... **21-01**

FIG. 1 is a front, top and right side perspective view of our new design for a vehicle for play use;

(52) **U.S. Cl.** ..... **D21/495; D21/548**

FIG. 2 is a rear, top and left side perspective view of the vehicle for play use of FIG. 1;

(58) **Field of Classification Search** ..... D21/419,  
D21/424, 427, 484, 493, 495, 500, 533, 548,  
D21/551, 558, 559, 561, 562; 446/93–96,  
446/465, 431, 437, 454–456, 470, 471

FIG. 3 is a front elevational view of the vehicle for play use of FIG. 1;

See application file for complete search history.

FIG. 4 is a rear elevational view of the vehicle for play use of FIG. 1;

(56) **References Cited**

FIG. 5 is a top plan view of the vehicle for play use of FIG. 1;  
FIG. 6 is a bottom plan view of the vehicle for play use of FIG. 1;

**U.S. PATENT DOCUMENTS**

4,375,139 A \* 3/1983 Chatani ..... 446/471  
D295,644 S \* 5/1988 Takahashi ..... D21/495  
D346,629 S \* 5/1994 Ruskai ..... D21/495  
5,312,283 A \* 5/1994 Lyman ..... 446/95  
D384,998 S \* 10/1997 Høst ..... D21/559  
5,707,271 A \* 1/1998 Kunz et al. .... 446/437  
D394,469 S \* 5/1998 Nielsen ..... D21/500  
D394,680 S \* 5/1998 Andersen ..... D21/495

FIG. 7 is a right side elevational view of the vehicle for play use of FIG. 1; and,

FIG. 8 is a left side elevational view of the vehicle for play use of FIG. 1.

**1 Claim, 8 Drawing Sheets**

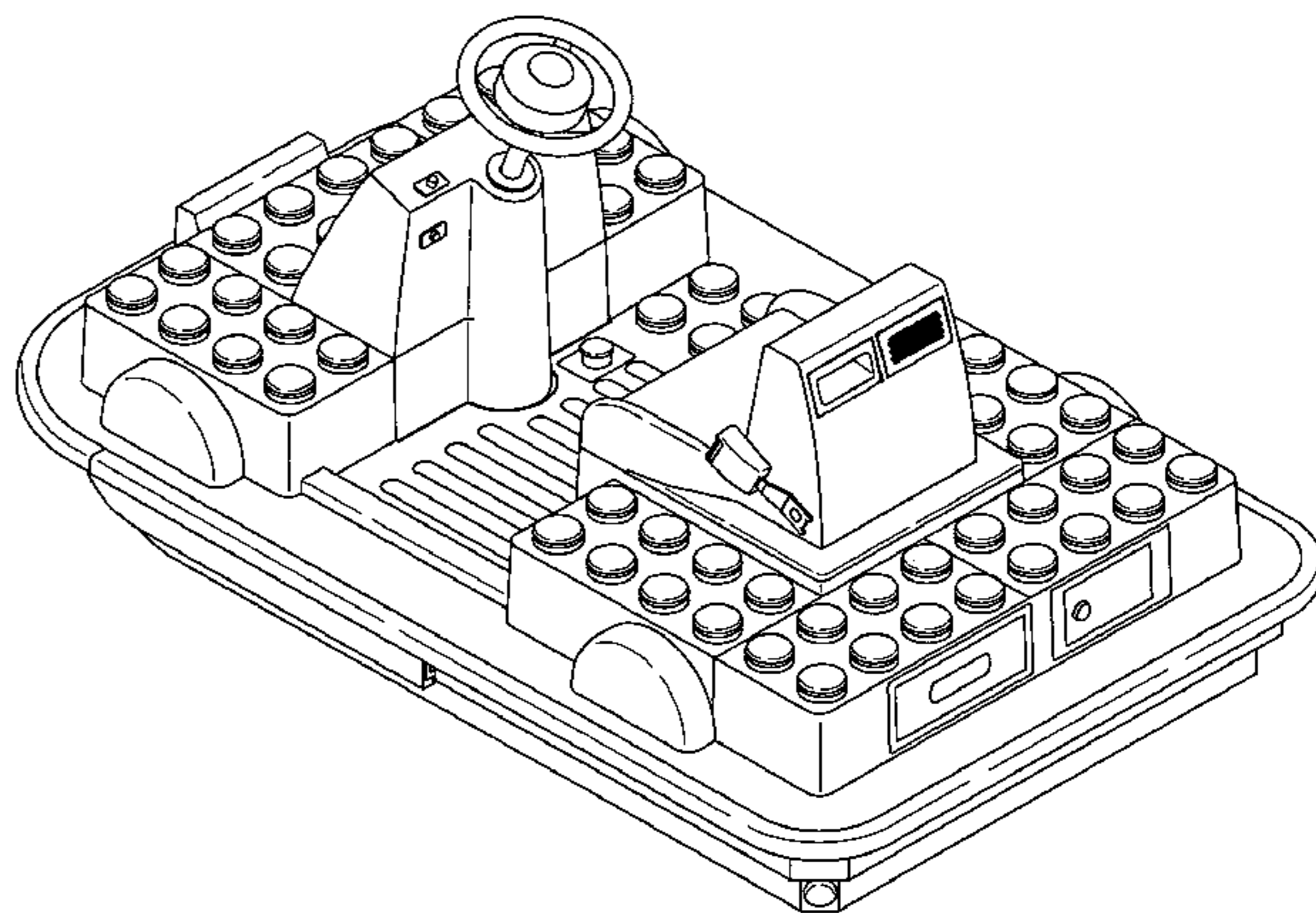
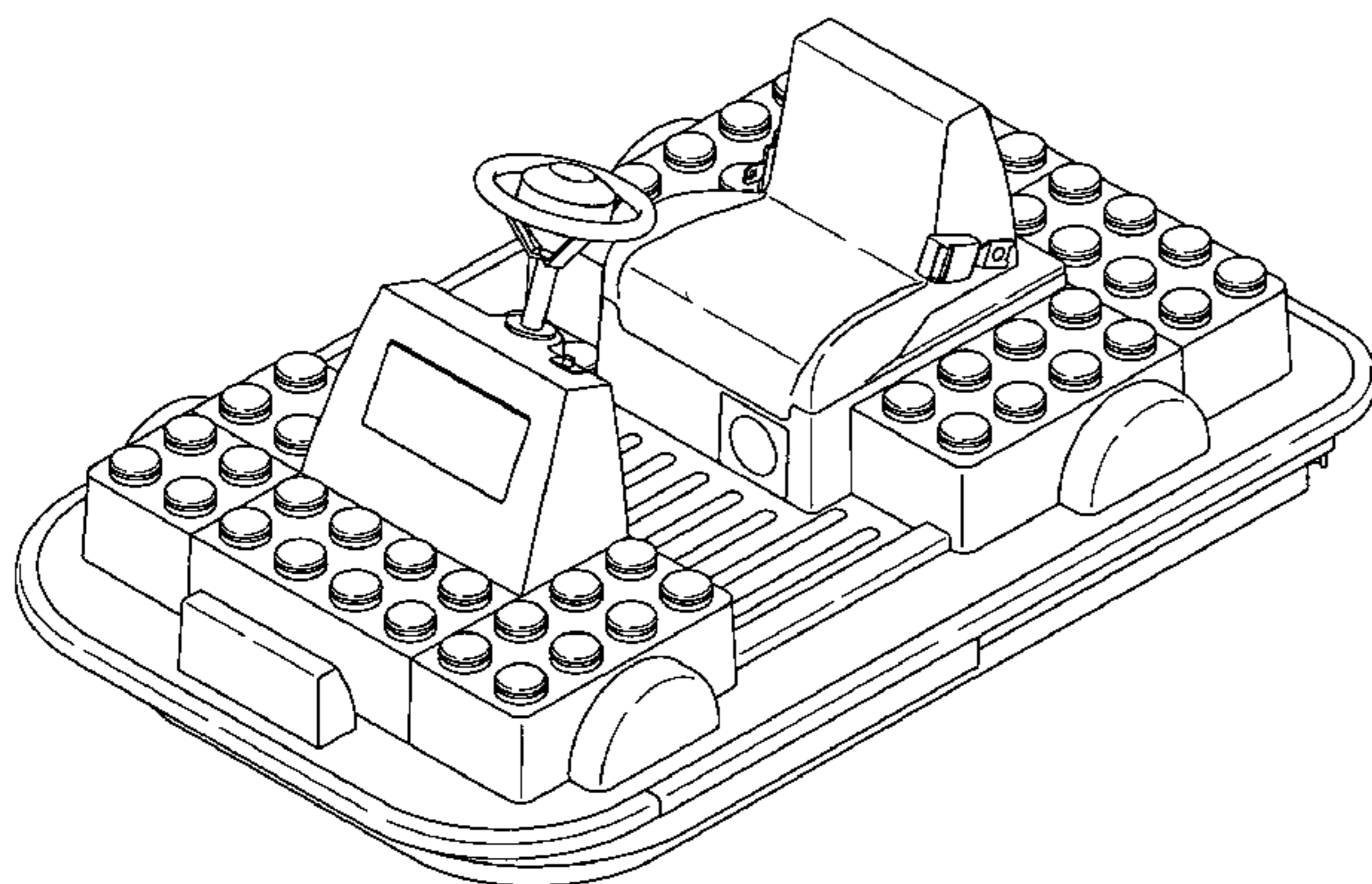


FIG.1

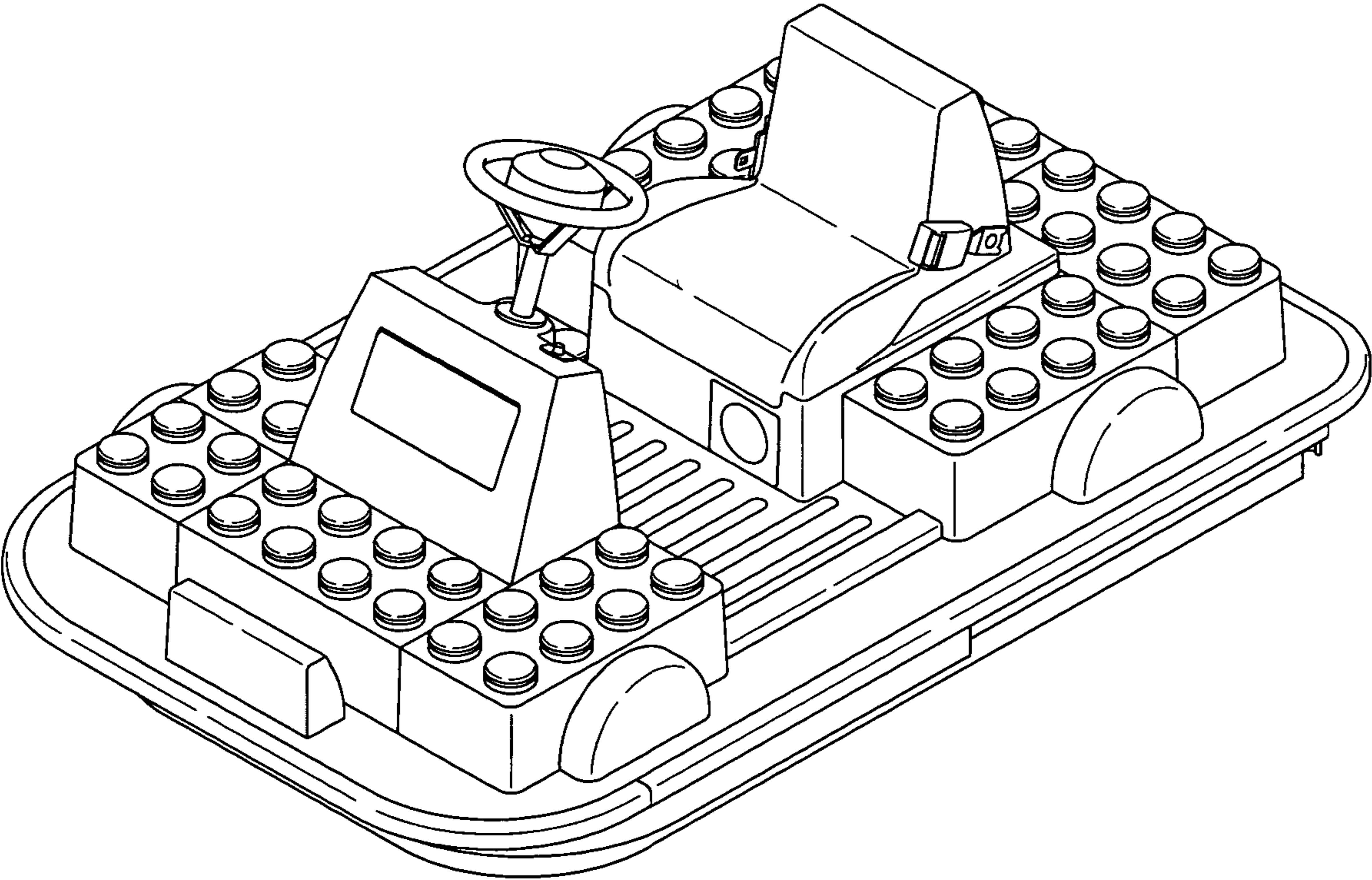


FIG.2

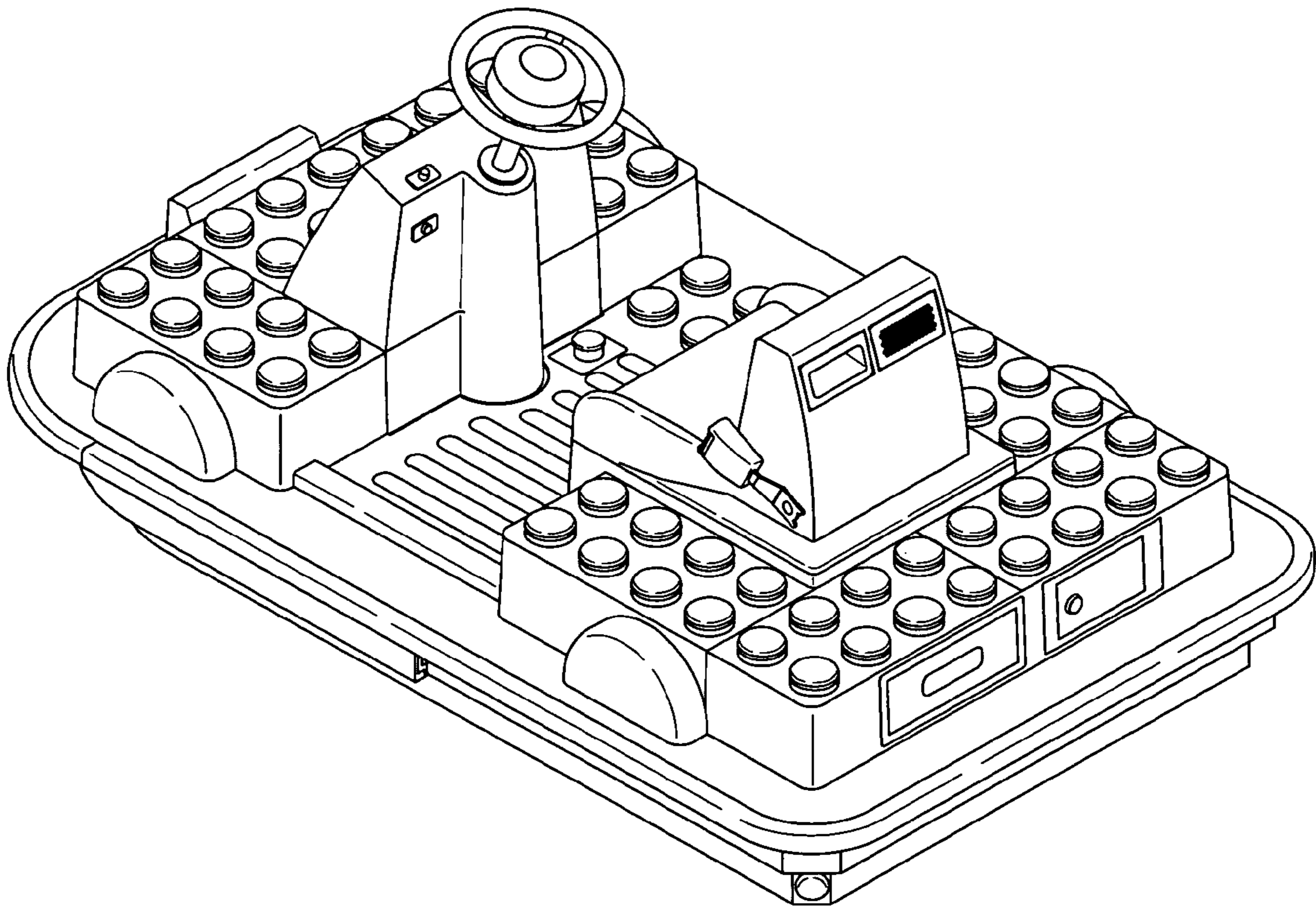


FIG. 3

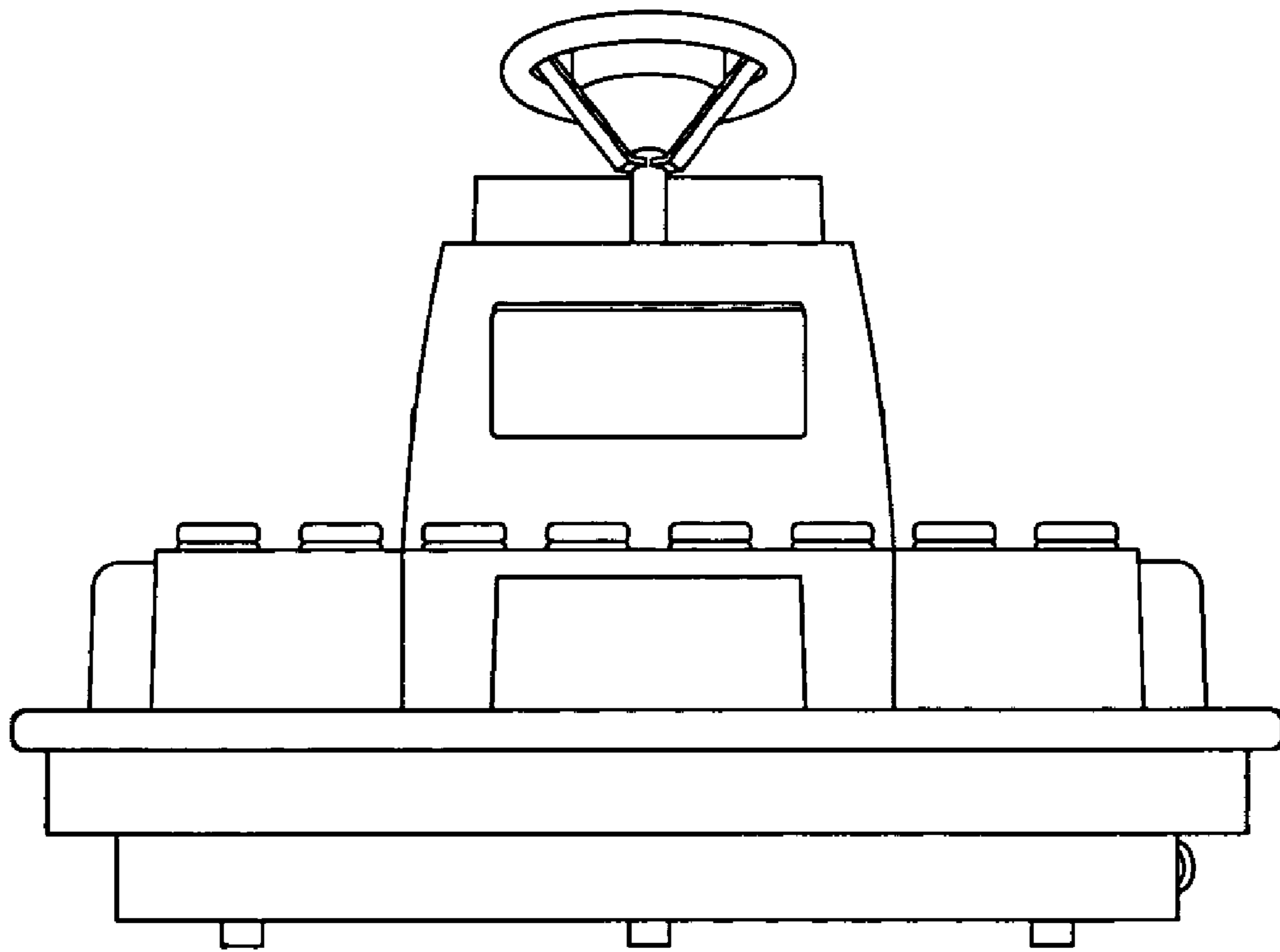


FIG. 4

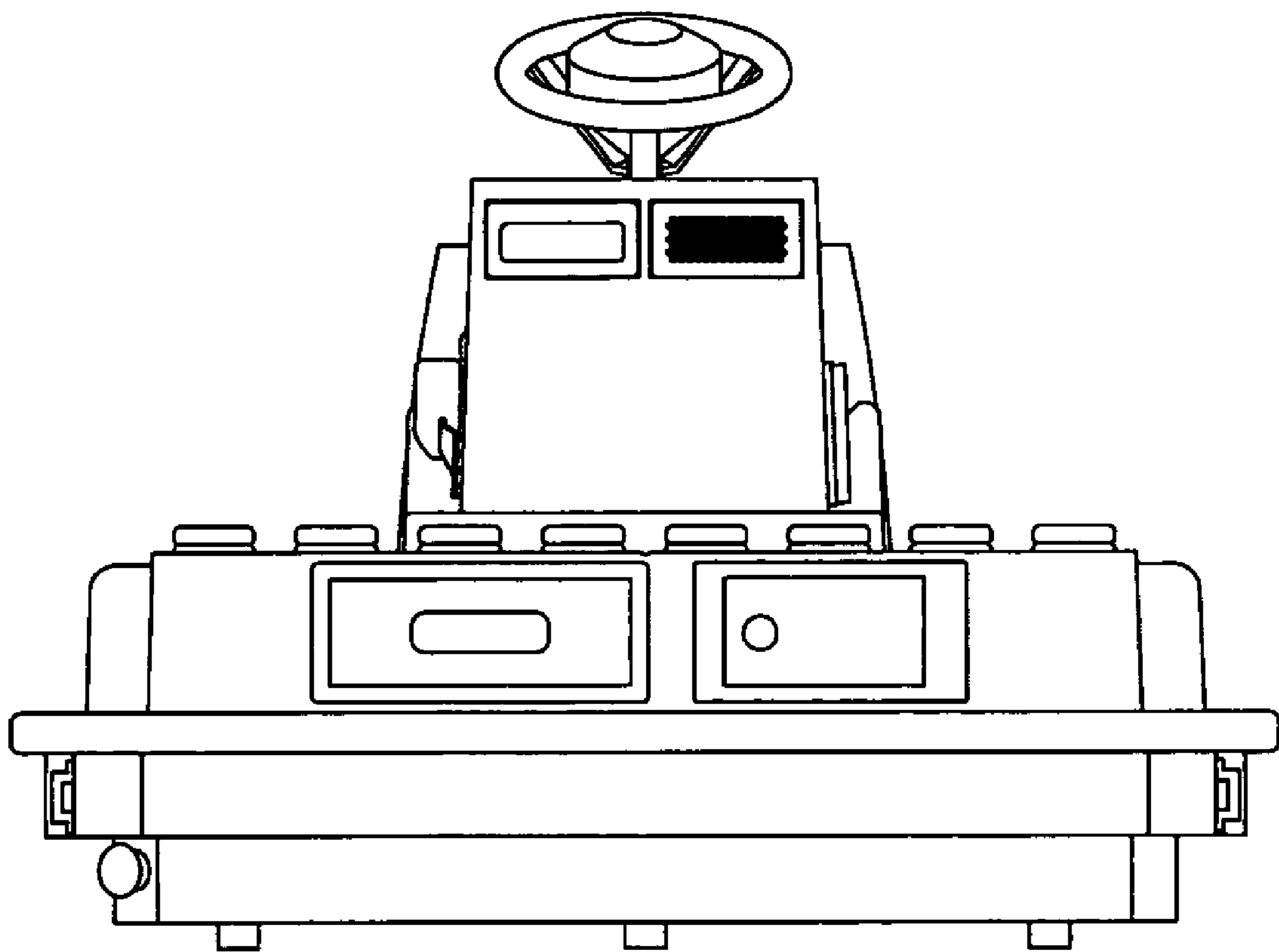


FIG. 5

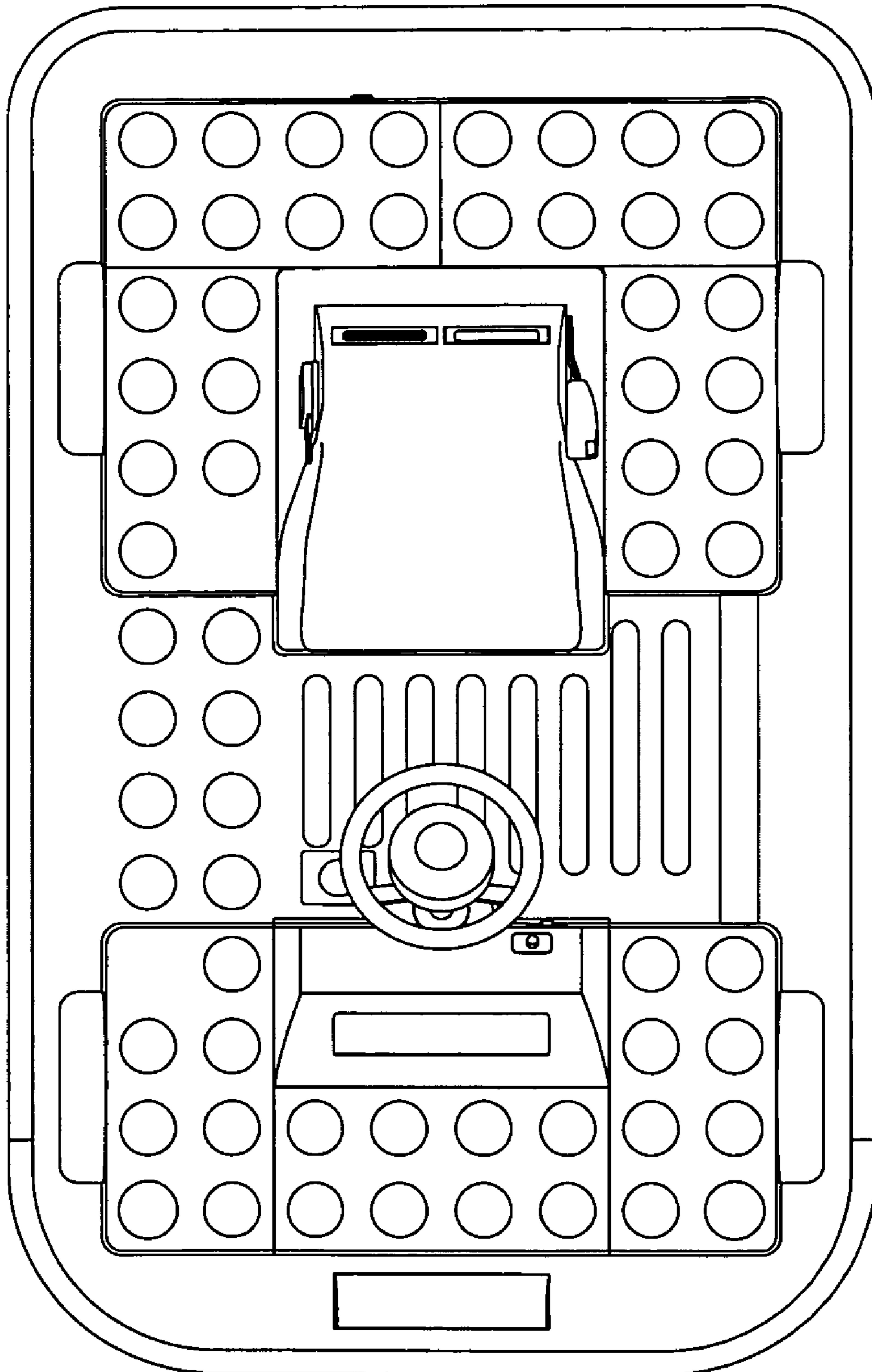


FIG.6

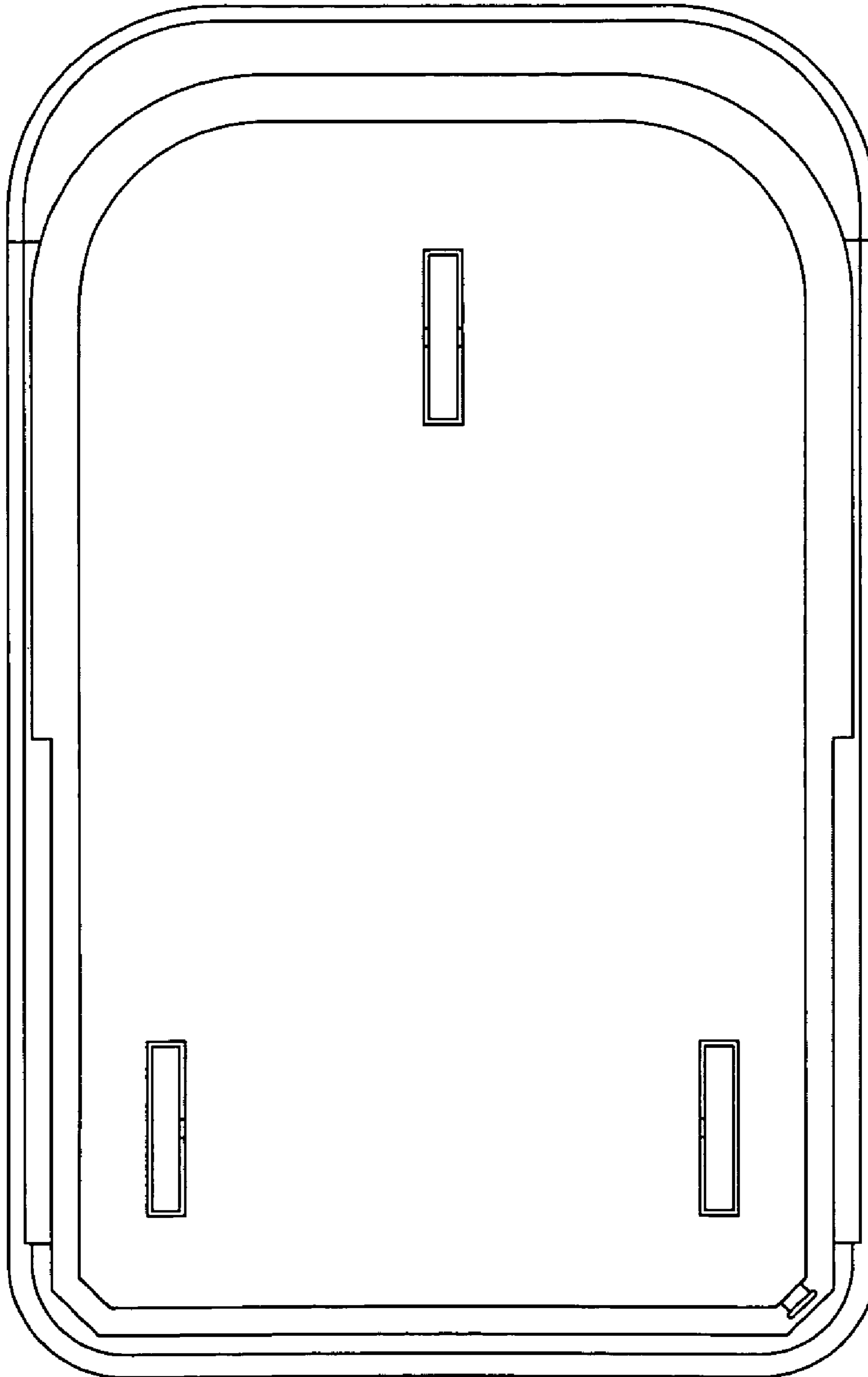


FIG.7

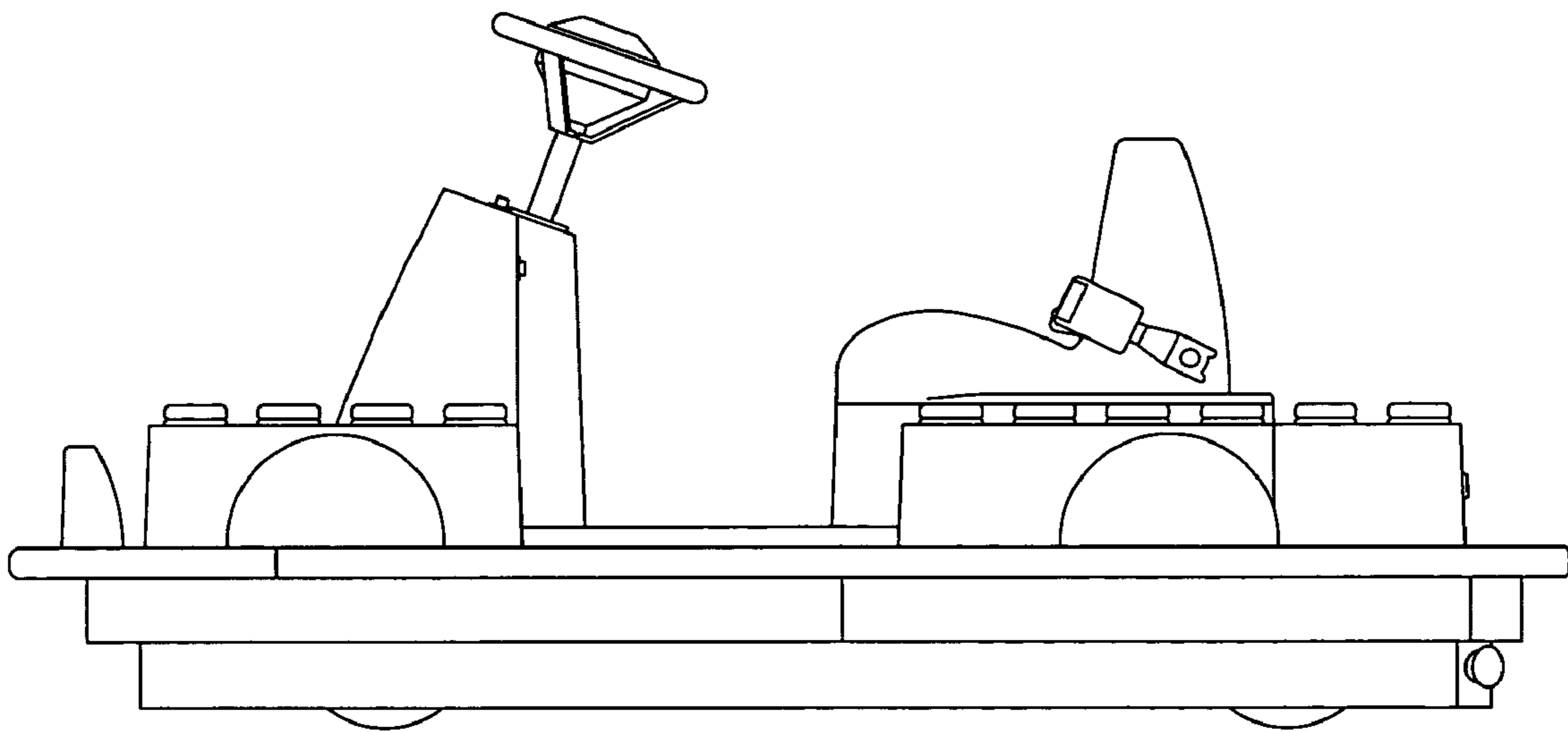




FIG.8

