



US00D597148S

(12) **United States Design Patent**  
**Lin**

(10) **Patent No.:** **US D597,148 S**  
(45) **Date of Patent:** **\*\* Jul. 28, 2009**

(54) **MODEL AIRCRAFT**

(76) Inventor: **Ri-Zhuang Lin**, 1st Floor No. 12  
Building, Luotian Third Industrial Zone,  
Songgang Town, Baoan District,  
Shenzhen, Guangdong (CN) 518000

(\*\*) Term: **14 Years**

(21) Appl. No.: **29/302,469**

(22) Filed: **Jan. 17, 2008**

(30) **Foreign Application Priority Data**

Jul. 17, 2007 (CN) ..... 2007 3 0171230

(51) **LOC (9) Cl.** ..... **21-01**

(52) **U.S. Cl.** ..... **D21/448**

(58) **Field of Classification Search** ..... D21/436-454;  
D12/319-345; 446/30-68, 88, 93, 230-232;  
244/4 R-4 A, 900-903

See application file for complete search history.

(56) **References Cited**

**U.S. PATENT DOCUMENTS**

D165,070 S \* 11/1951 Hayman ..... D21/449  
3,729,862 A \* 5/1973 Halsey ..... 446/67  
3,871,126 A \* 3/1975 Miller ..... 446/32  
D342,551 S \* 12/1993 D'Andrade et al. .... D21/447  
D342,717 S \* 12/1993 Mrdeza et al. .... D12/333

6,612,893 B2 \* 9/2003 Rehkemper et al. .... 446/34  
D482,076 S \* 11/2003 Tabor ..... D21/438  
D508,094 S \* 8/2005 Khasminsky ..... D21/450

\* cited by examiner

*Primary Examiner*—Catherine Tuttle

(57) **CLAIM**

The ornamental design for a model aircraft, as shown and described.

**DESCRIPTION**

FIG. 1 is a front perspective view of a model aircraft showing my new design;

FIG. 2 is a back perspective view thereof;

FIG. 3 is a front view thereof;

FIG. 4 is a back view thereof;

FIG. 5 is a top view thereof;

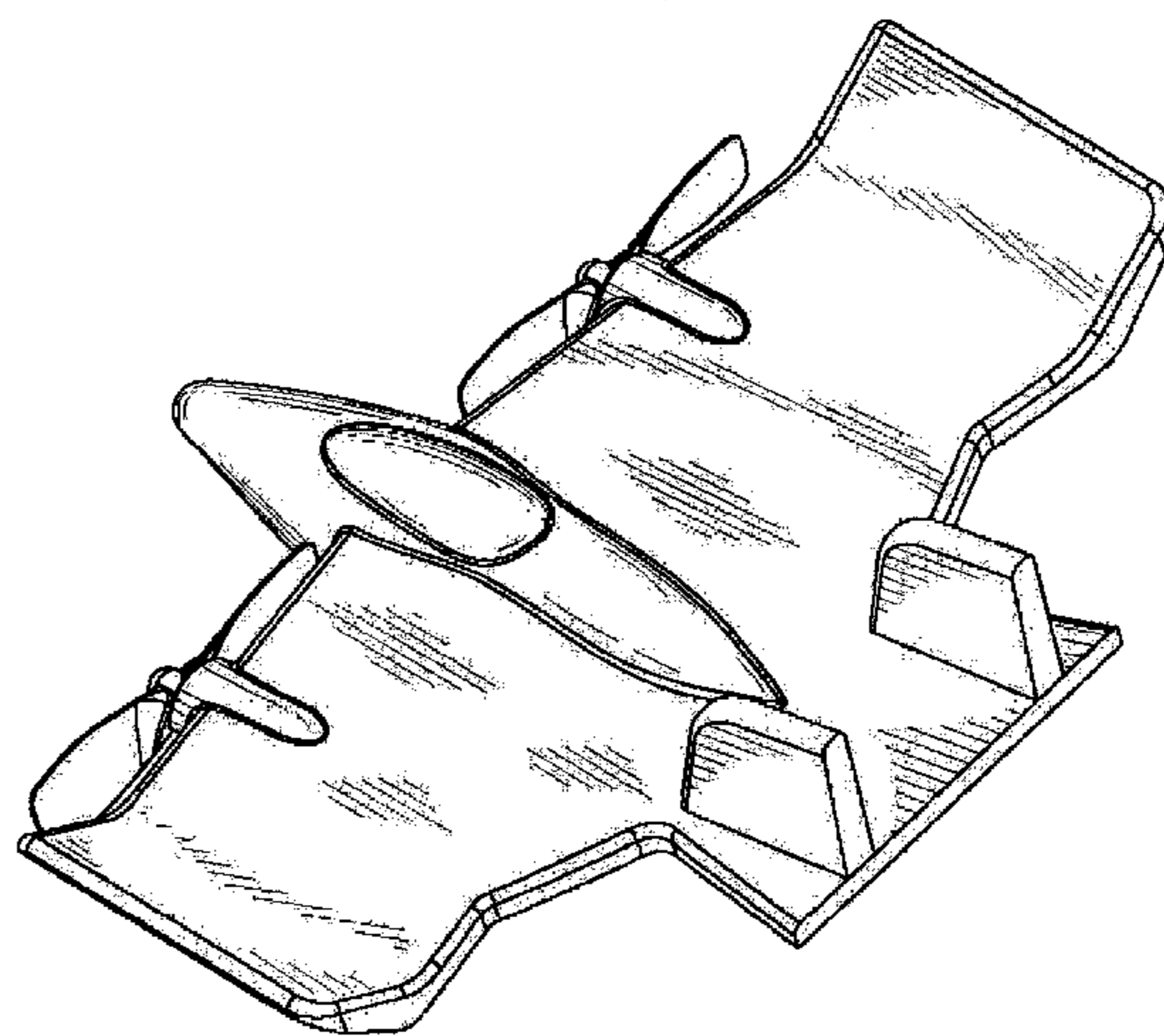
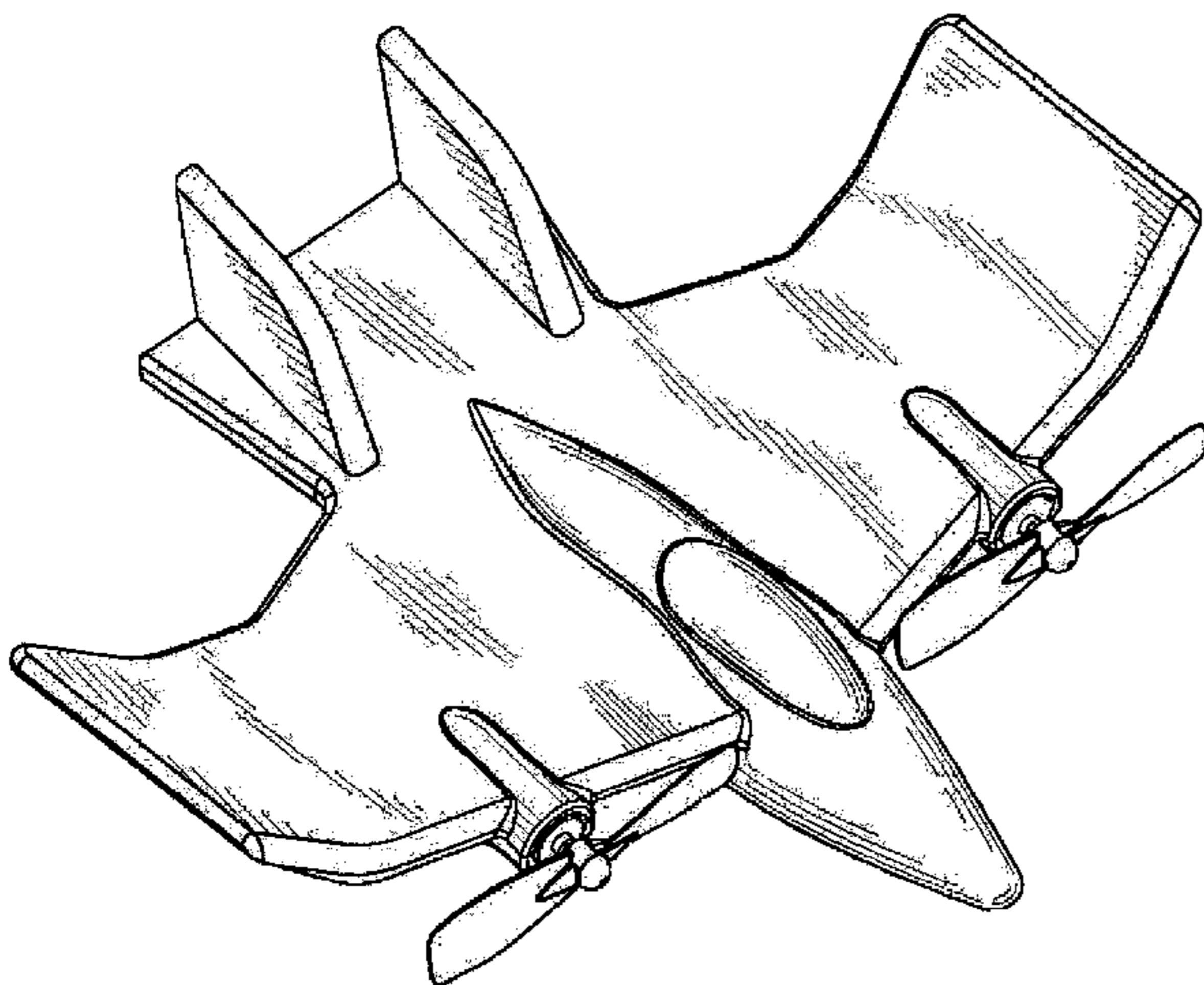
FIG. 6 is a bottom view thereof;

FIG. 7 is a left side view thereof; and,

FIG. 8 is a right side view thereof.

The broken lines are included for the purpose of illustrating portions of the model aircraft that form no part of the claimed design.

**1 Claim, 6 Drawing Sheets**



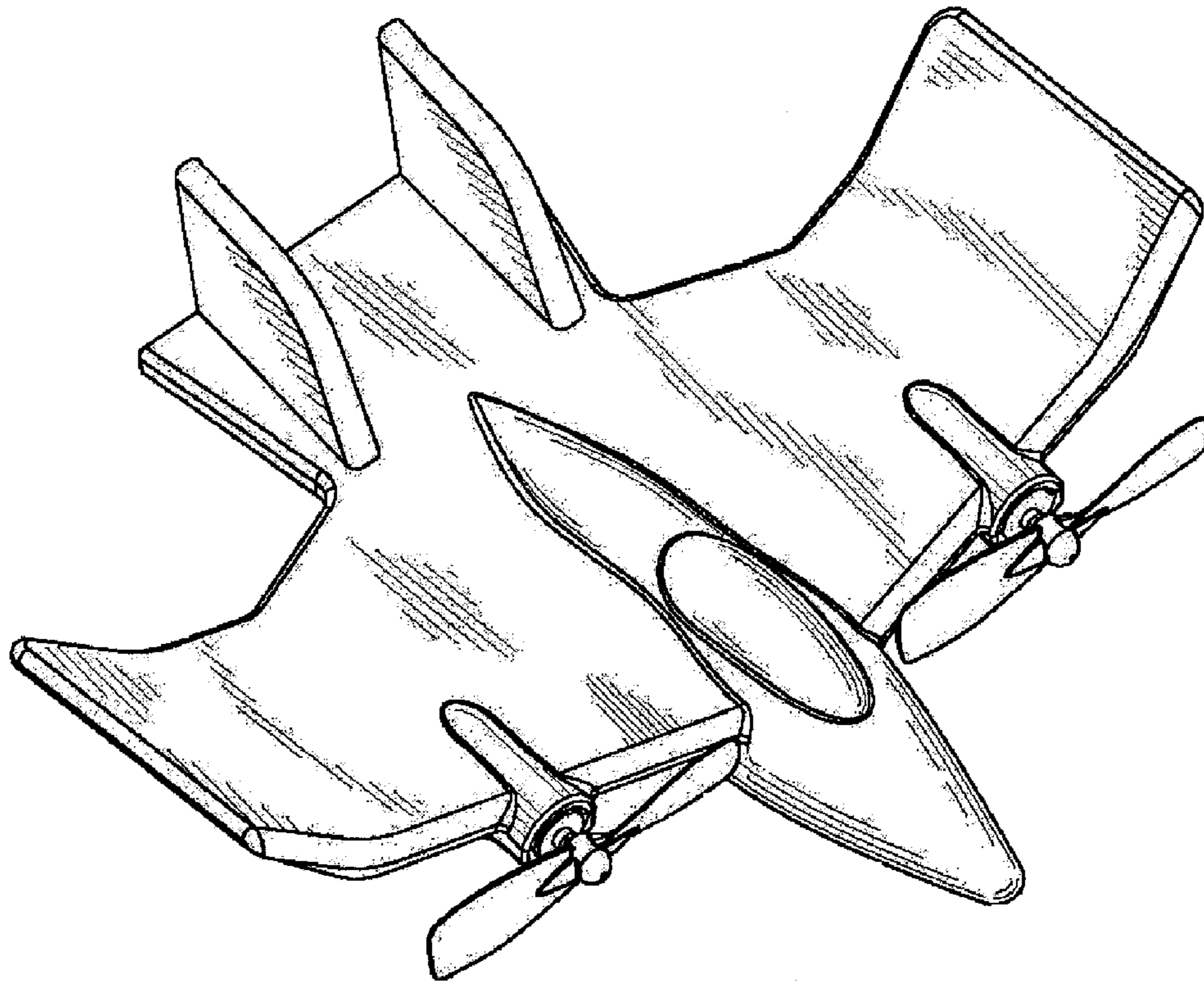


Fig. 1

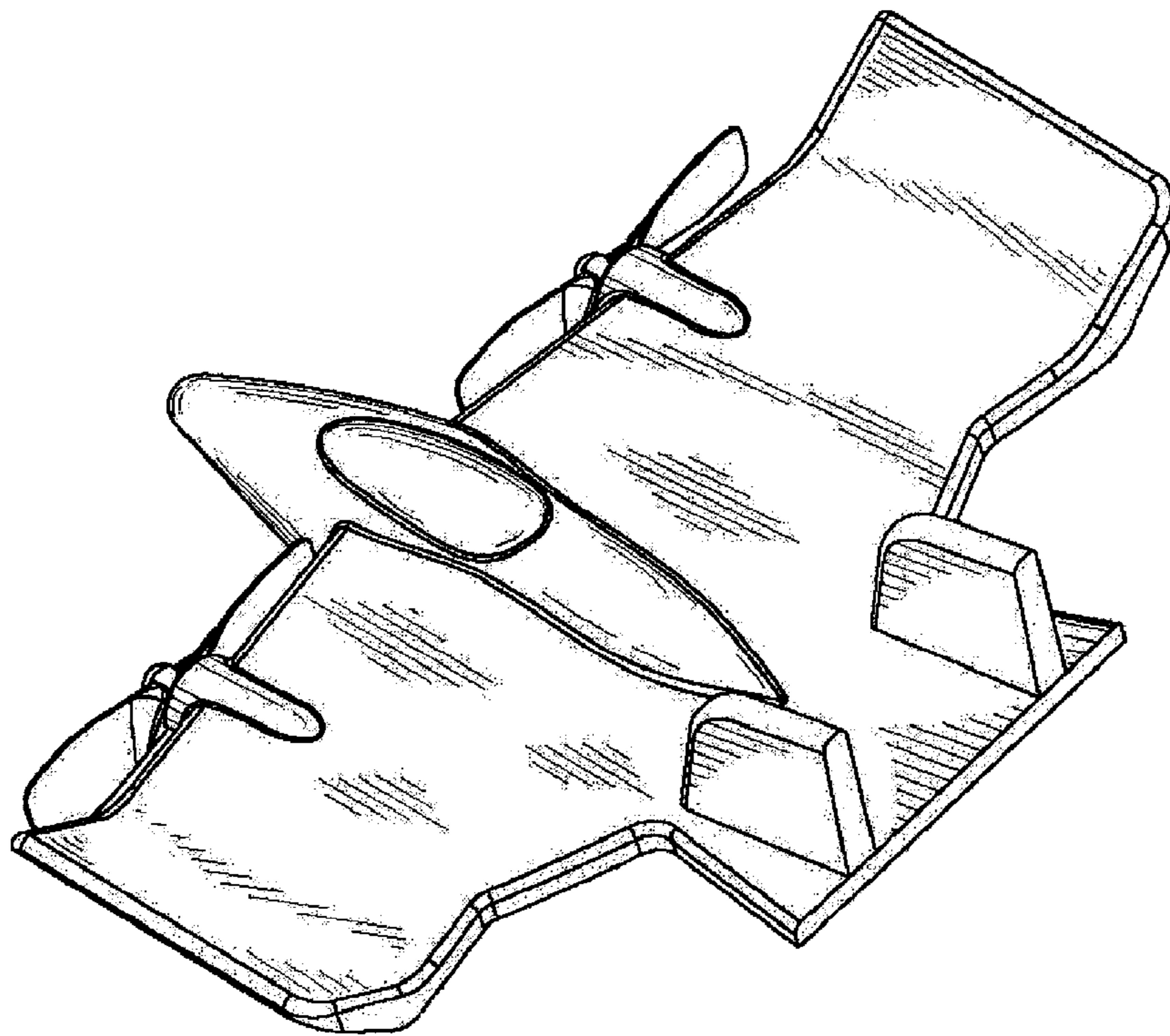


Fig. 2

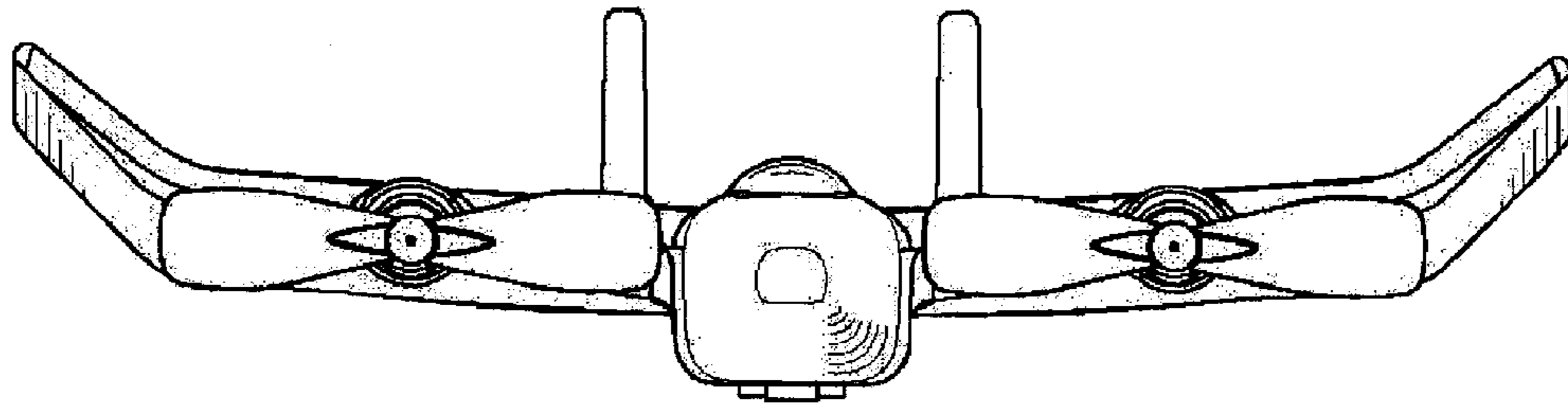


Fig. 3

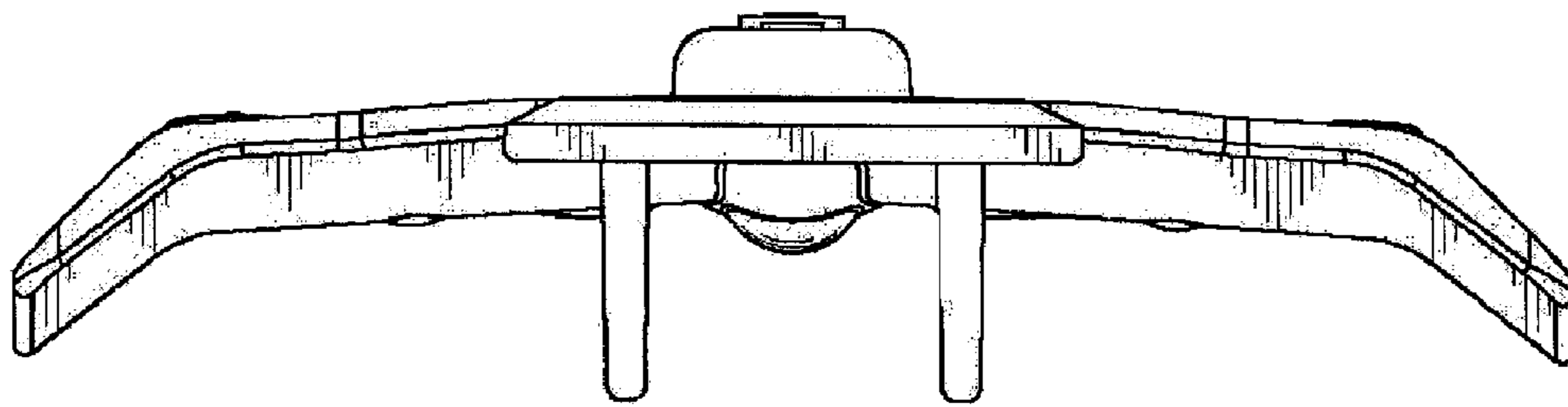


Fig. 4



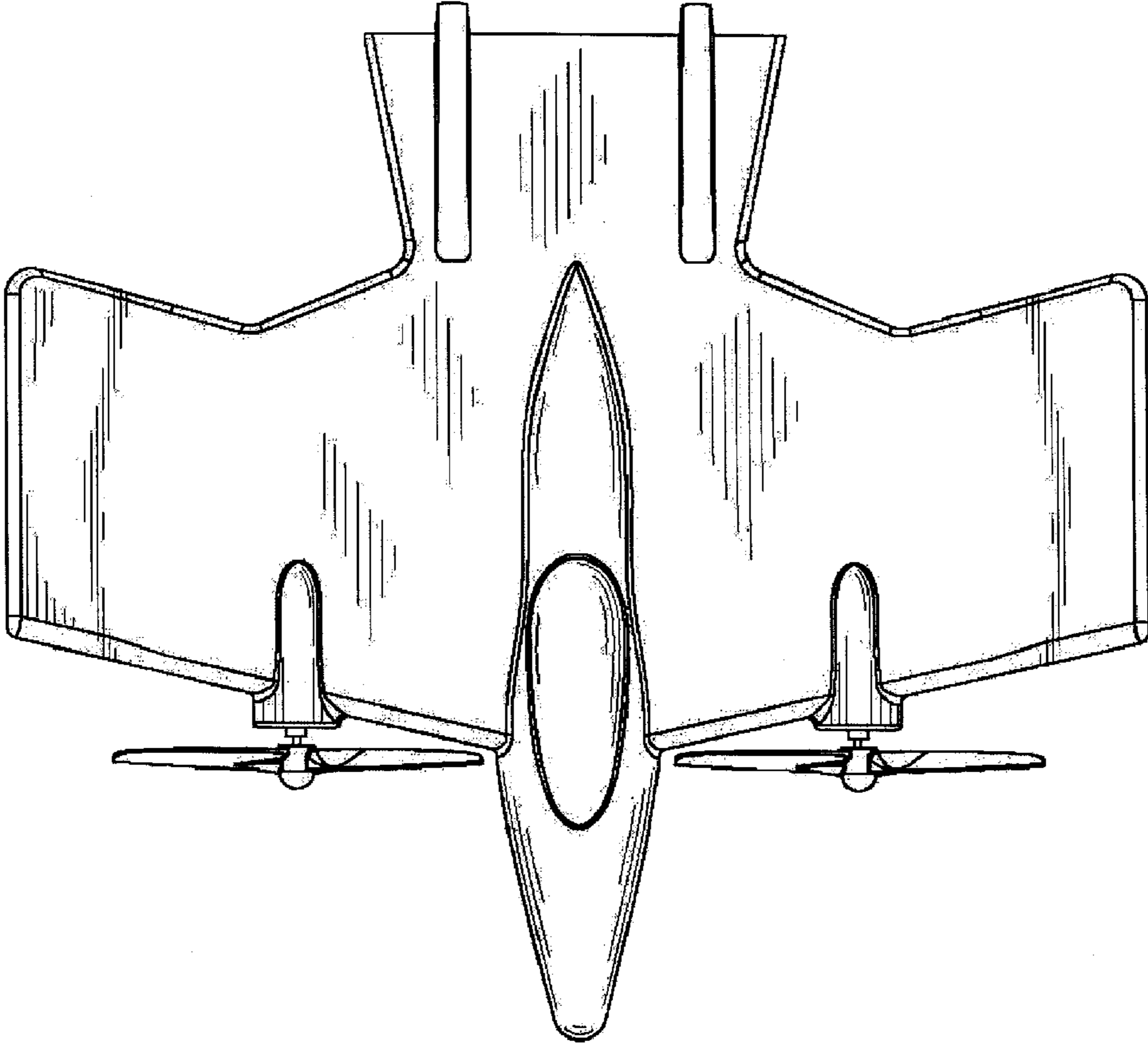


Fig. 5

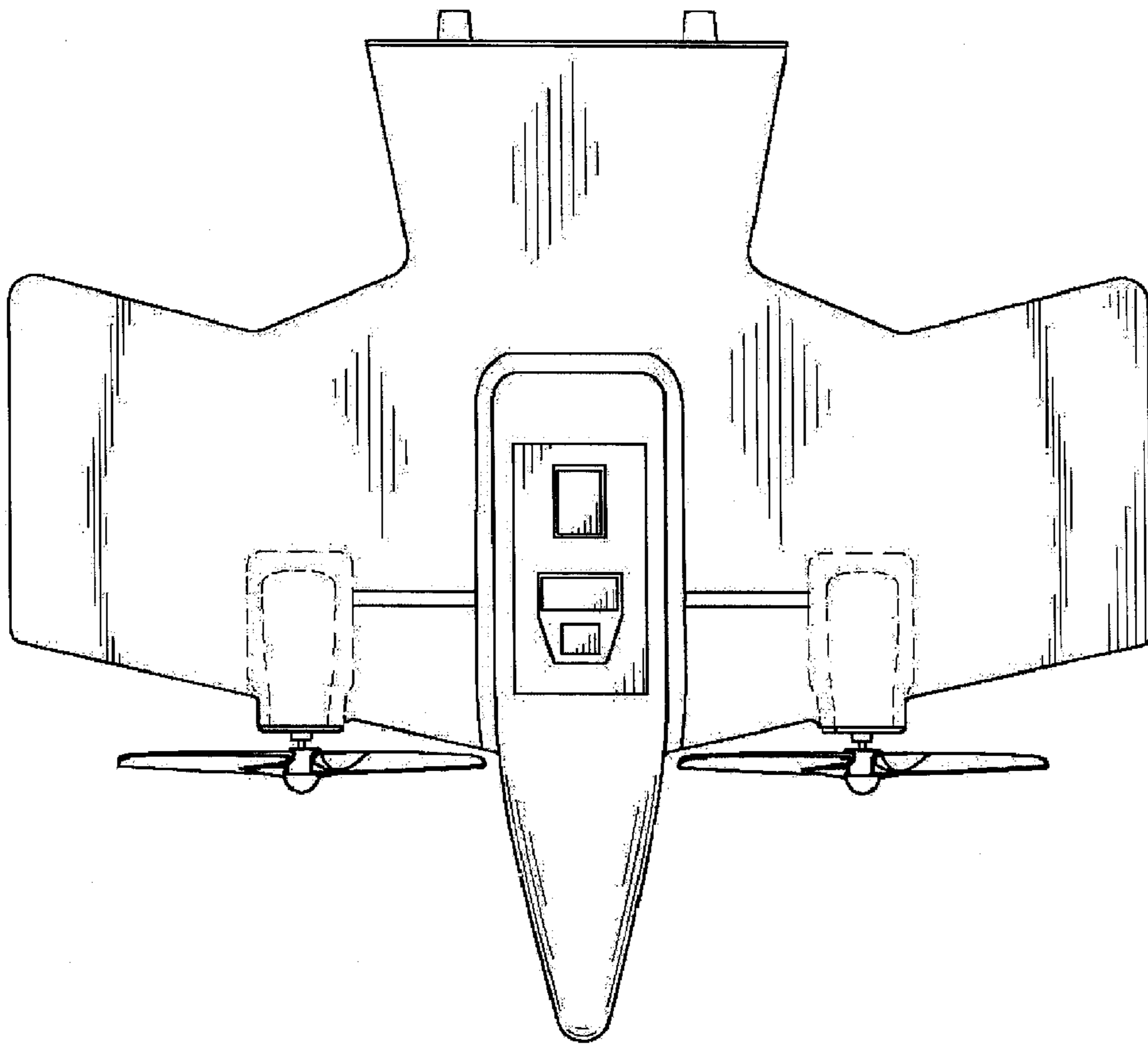


Fig. 6

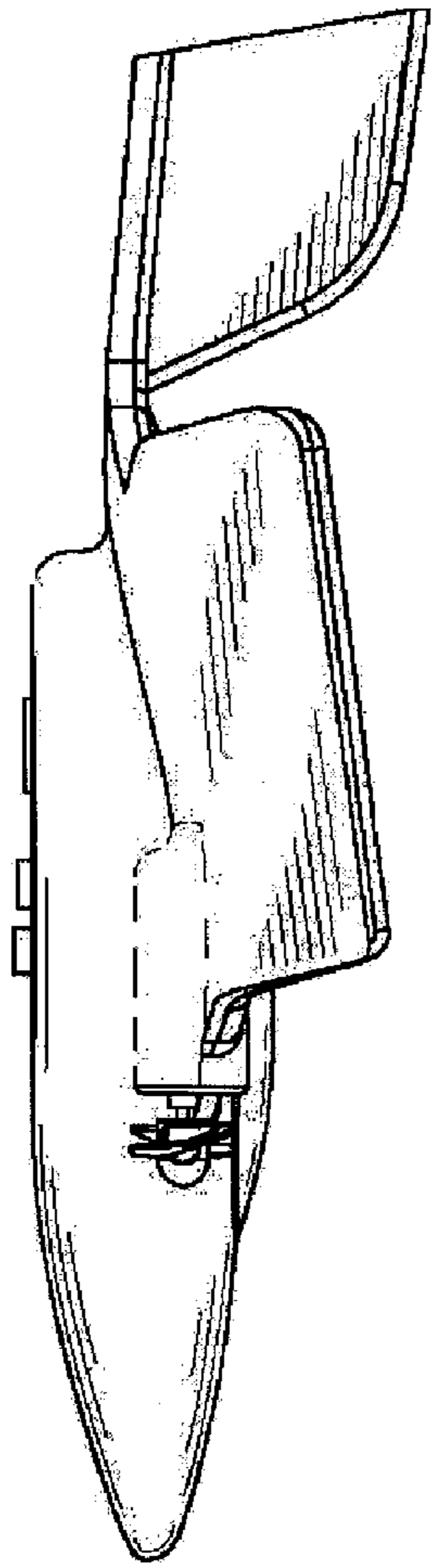


Fig. 7

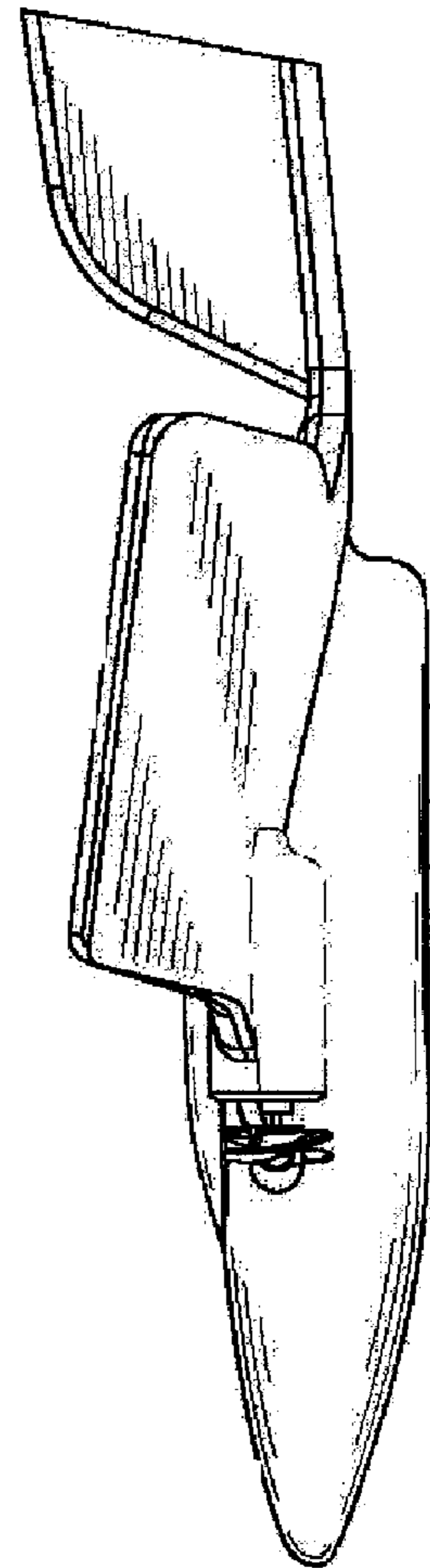


Fig. 8