



US00D597146S

(12) **United States Design Patent**  
**Verlinden**

(10) **Patent No.:** **US D597,146 S**  
(45) **Date of Patent:** **\*\* Jul. 28, 2009**

(54) **TODDLER'S BIKE**

D571,863 S \* 6/2008 On ..... D21/424

(75) Inventor: **Christophe Verlinden**, Dessel (BE)

\* cited by examiner

(73) Assignee: **Baby Art BVBA**, Dessel (BE)

*Primary Examiner*—Holly H Baynham

*Assistant Examiner*—Cynthia M Chin

(\*\*) Term: **14 Years**

(74) *Attorney, Agent, or Firm*—James Creighton Wray

(21) Appl. No.: **29/313,119**

(57) **CLAIM**

(22) Filed: **Dec. 9, 2008**

The ornamental design for a toddler's bike, as shown and described.

(51) **LOC (9) Cl.** ..... **21-01**

(52) **U.S. Cl.** ..... **D21/424; D21/432**

(58) **Field of Classification Search** ..... D21/419,  
D21/423–428, 431–435; 280/7.1, 7.11, 7.15,  
280/87.01, 87.021, 87.05, 47.17, 47.25, 47.38,  
280/47.34, 87.051, 827, 828; 180/65.1; D12/111,  
D12/112

**DESCRIPTION**

See application file for complete search history.

FIG. 1 is a perspective view showing the top, left side and front of the toddler's bike.

FIG. 2 is a left side elevation of the toddler's bike shown in FIG. 1.

FIG. 3 is a right side elevation of the toddler's bike shown in FIGS. 1 and 2.

(56) **References Cited**

**U.S. PATENT DOCUMENTS**

D138,525 S *	8/1944	Silkman	.....	D21/424
D191,176 S *	8/1961	Pressner	.....	D21/424
D224,255 S *	7/1972	Novak	.....	D21/424
D272,166 S *	1/1984	Orenstein	.....	D21/424
D346,412 S *	4/1994	Chou	.....	D21/424
D352,076 S *	11/1994	Cheung	.....	D12/112
D469,477 S *	1/2003	Horchler	.....	D21/424
D485,513 S *	1/2004	de Oliveira	.....	D12/112
D524,699 S *	7/2006	Kurth et al.	.....	D12/112

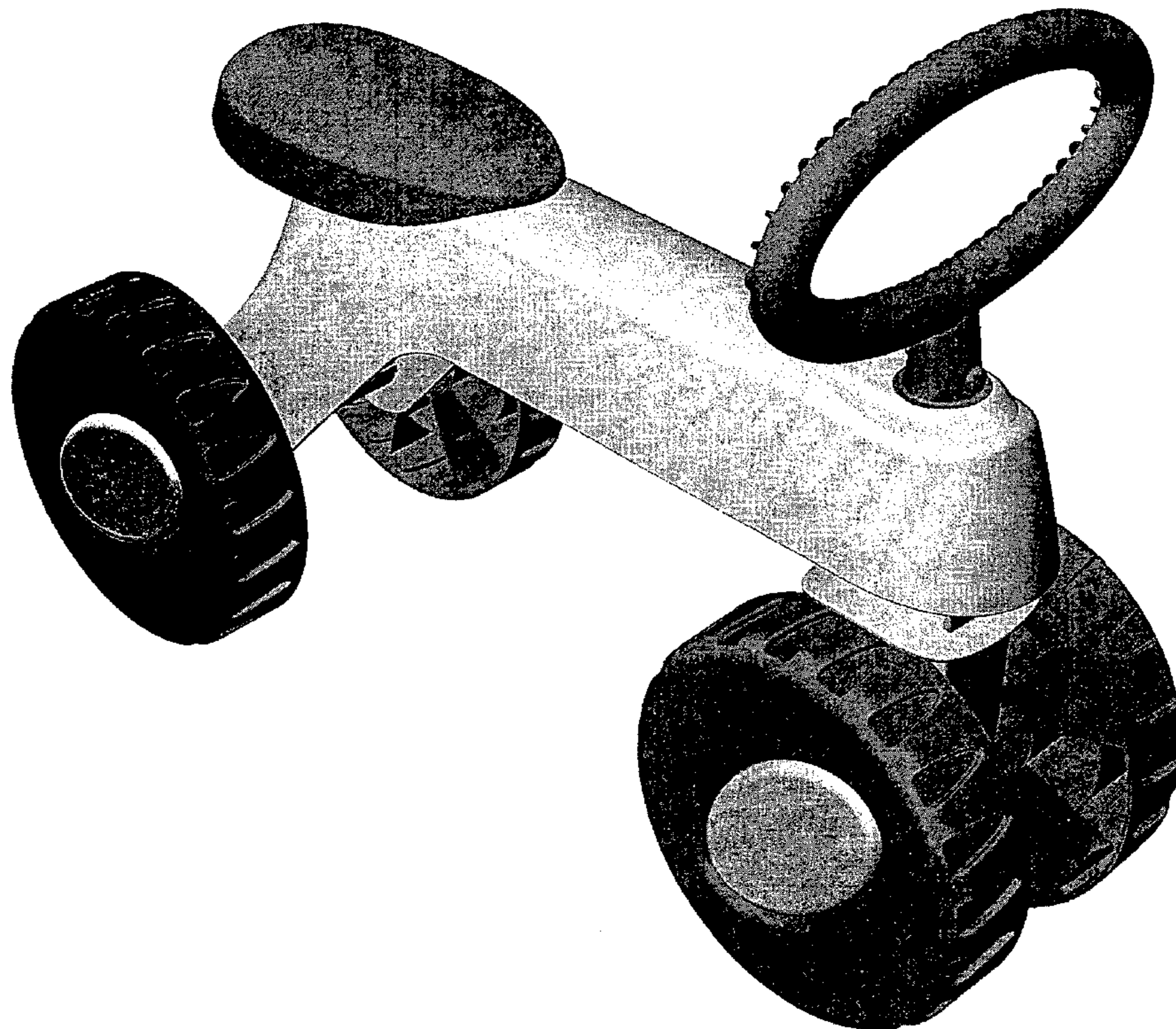
FIG. 4 is a front elevation of the toddler's bike shown in FIGS. 1–3.

FIG. 5 is a rear elevation of the toddler's bike shown in FIGS. 1–4.

FIG. 6 is a top plan view of the toddler's bike shown in FIGS. 1–5; and,

FIG. 7 is a bottom view of the toddler's bike shown in FIGS. 1–6.

**1 Claim, 7 Drawing Sheets**



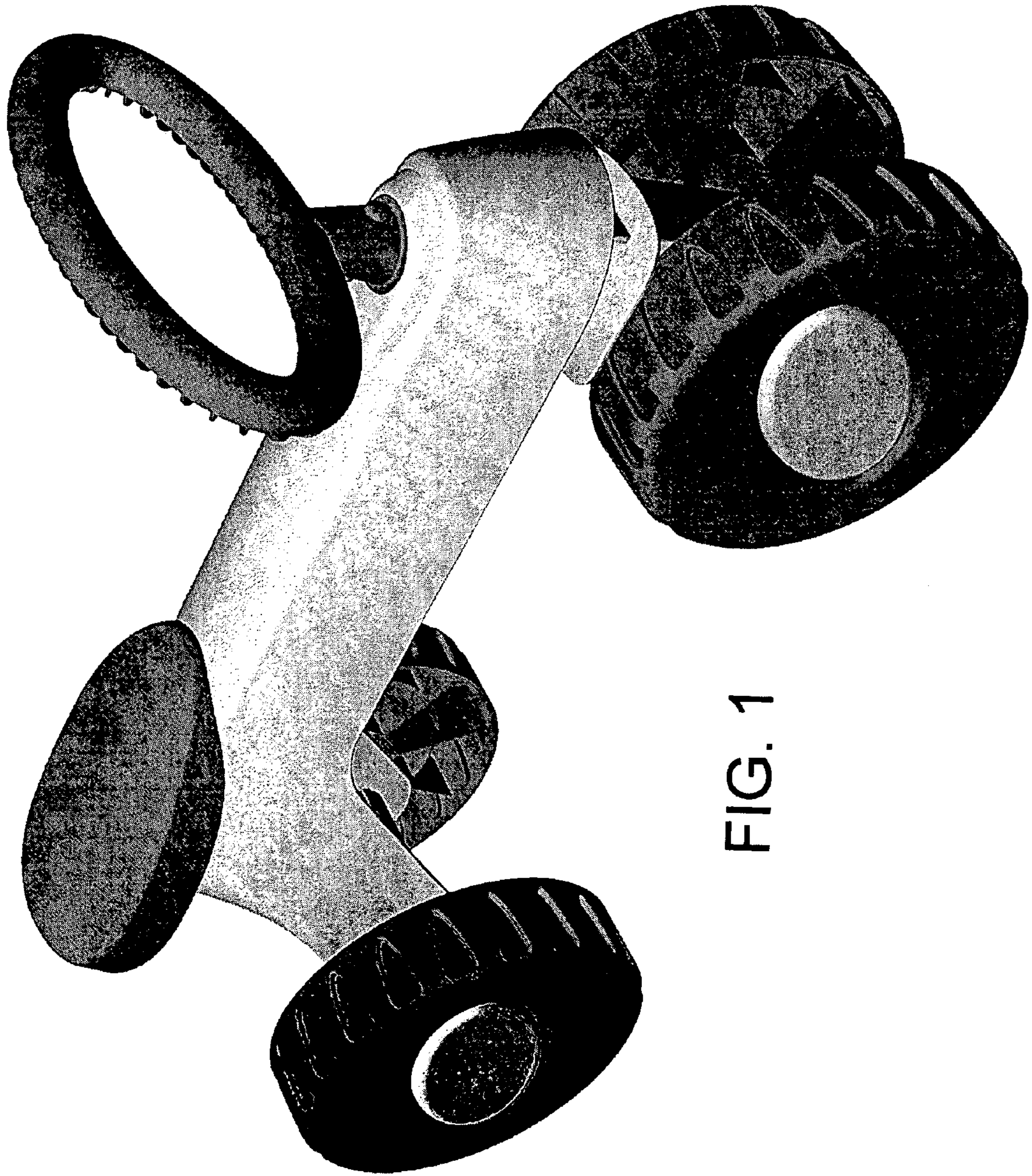


FIG. 1

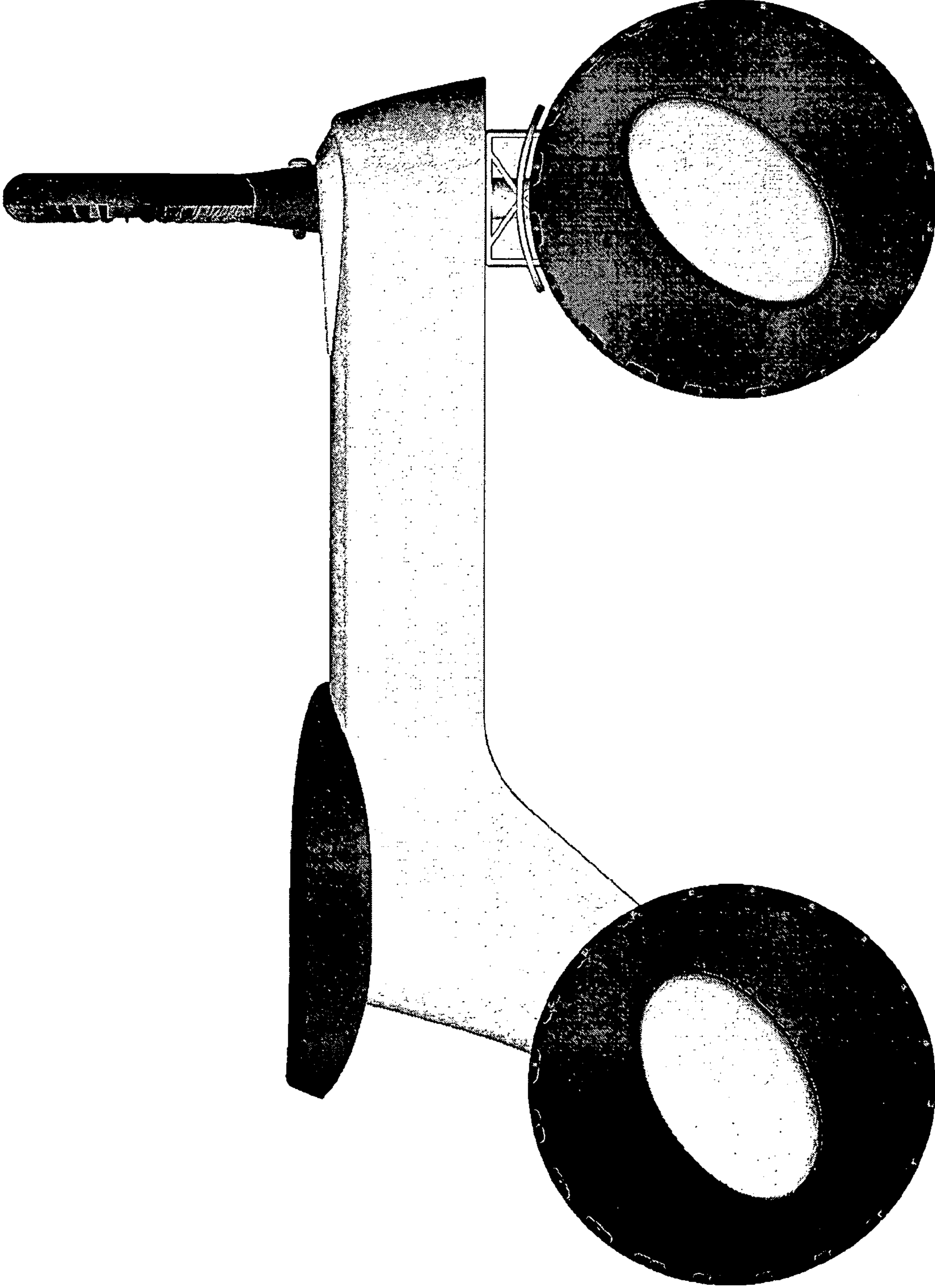


FIG. 2

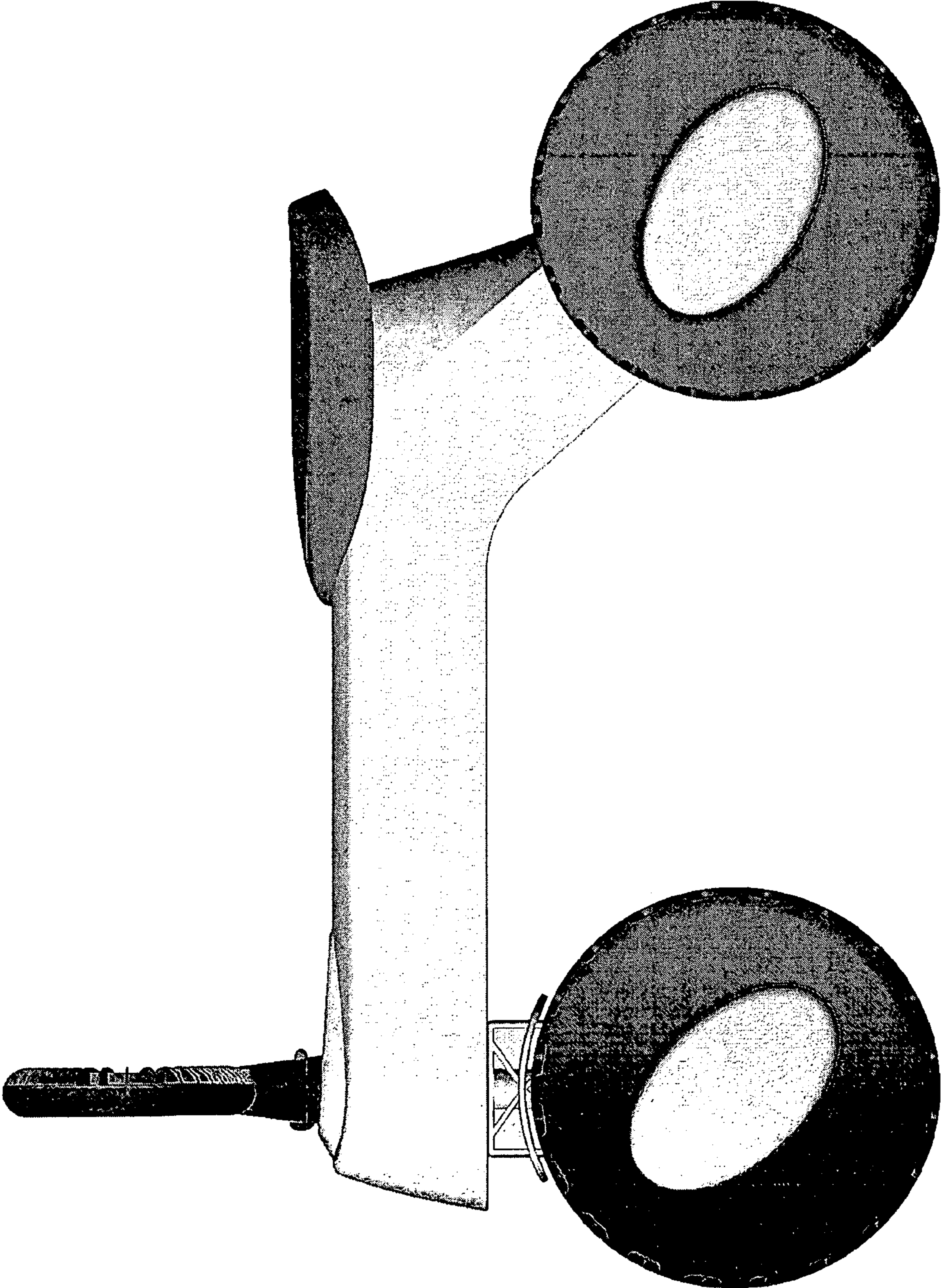


FIG. 3

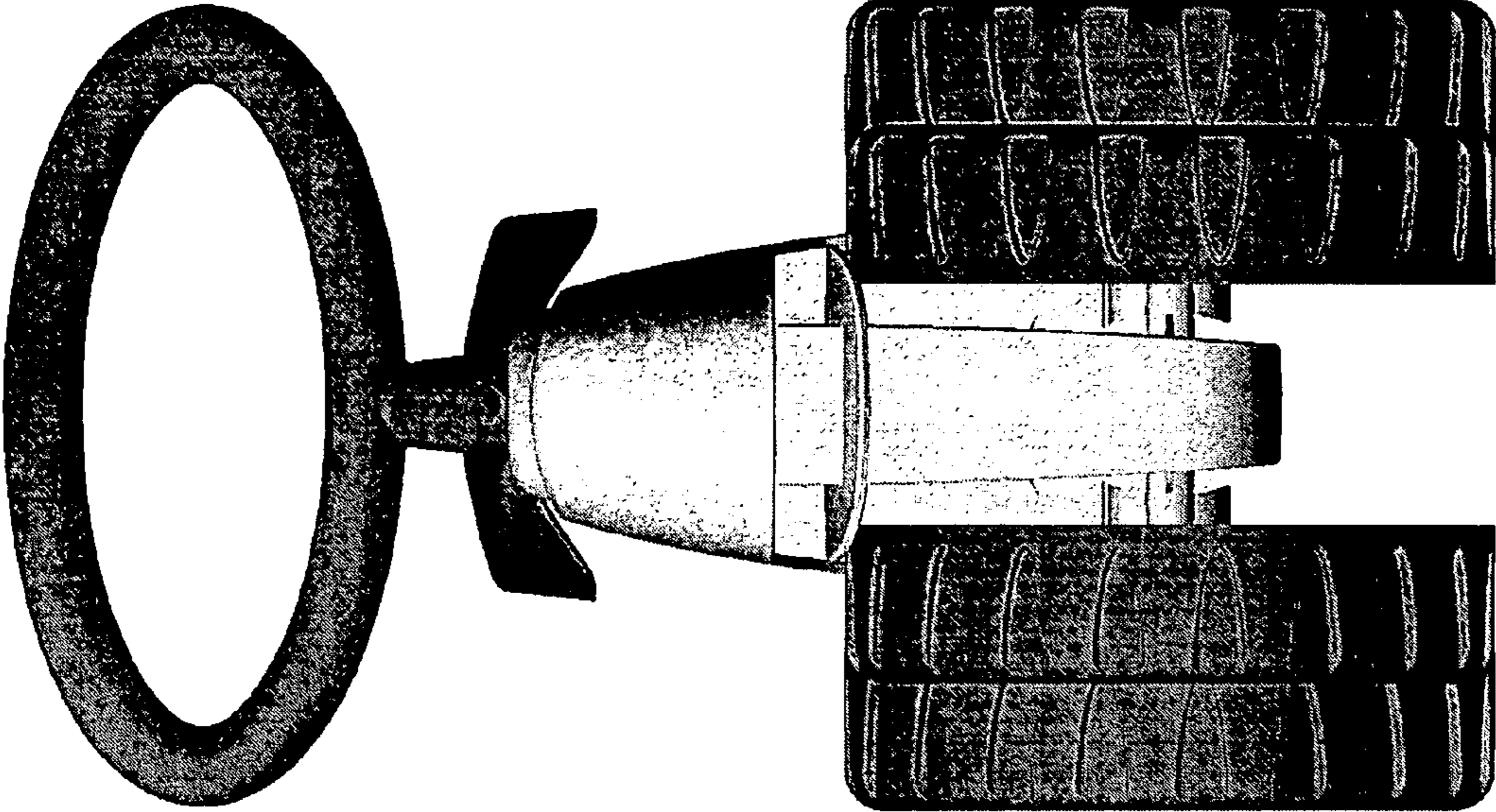


FIG. 4

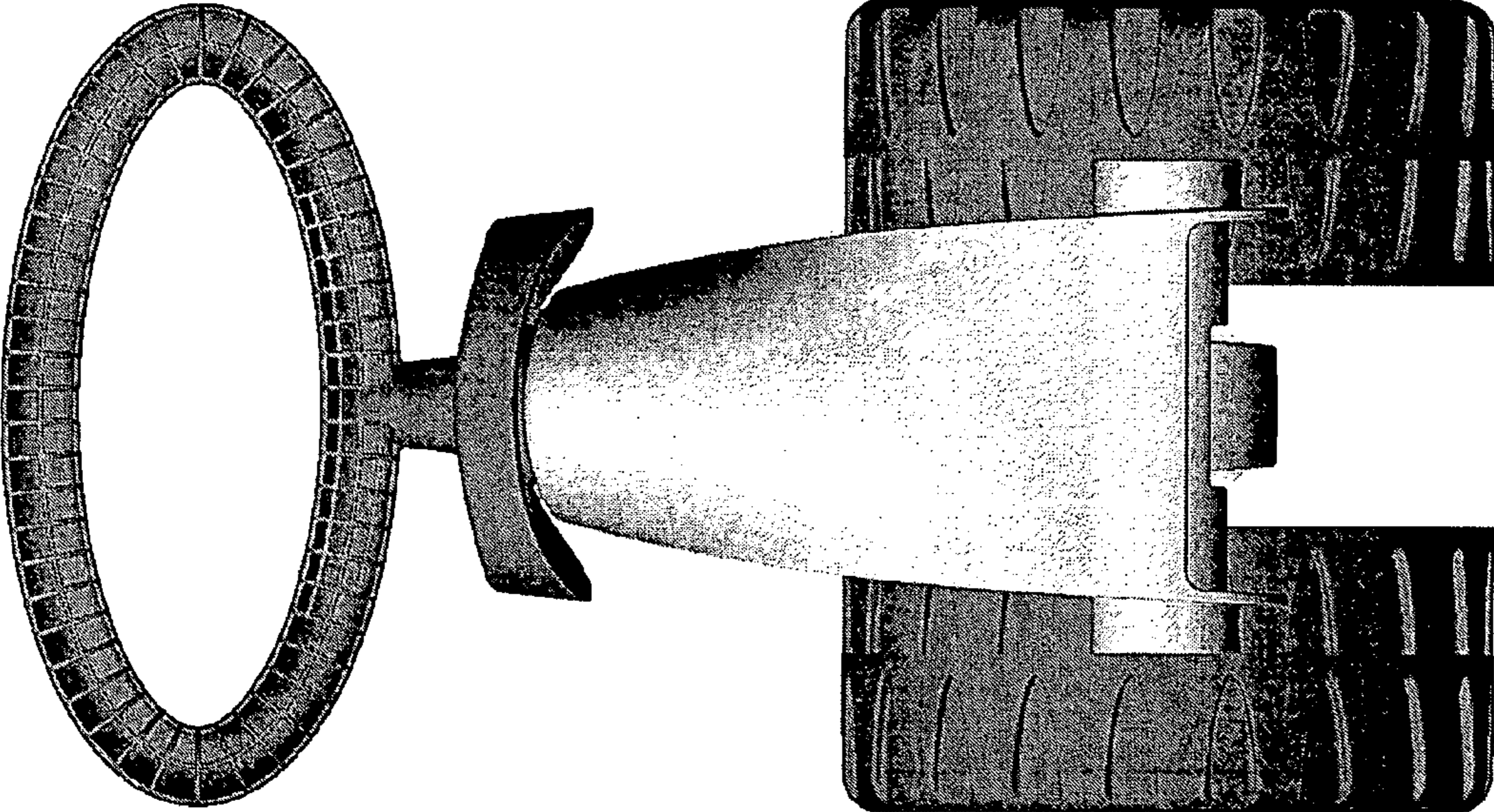


FIG. 5

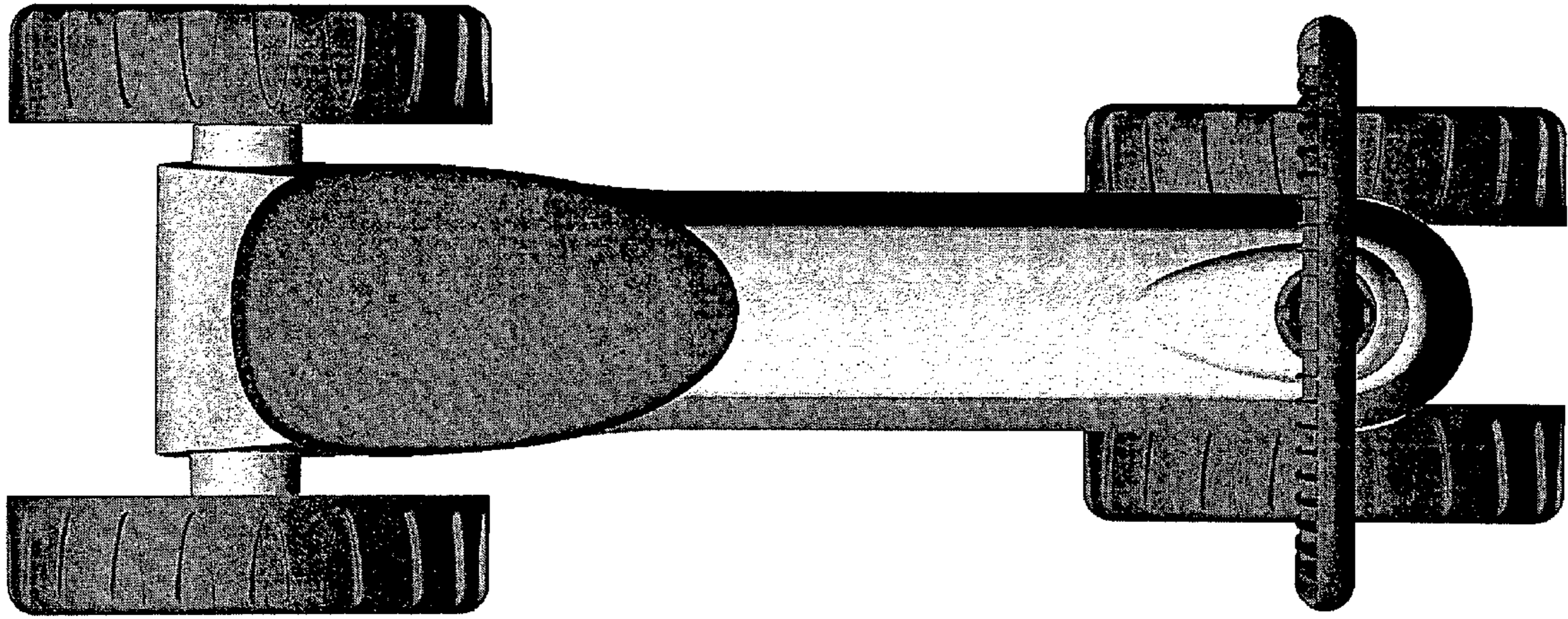


FIG. 6

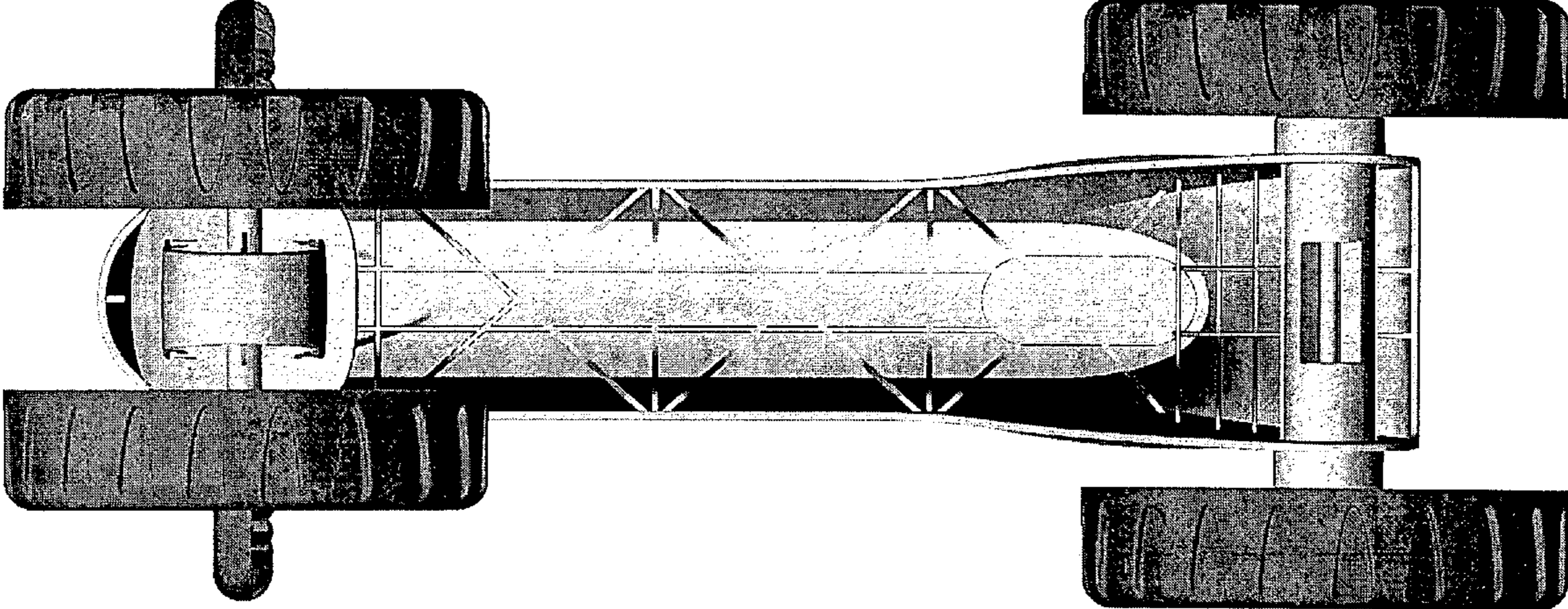


FIG. 7