



US00D597145S

(12) **United States Design Patent**
Fiore

(10) **Patent No.:** **US D597,145 S**
(45) **Date of Patent:** **** Jul. 28, 2009**

(54) **MOVING INDICATOR**

(75) Inventor: **Richard W. Fiore**, Las Vegas, NV (US)

(73) Assignee: **Acres-Fiore Patents**, Las Vegas, NV (US)

(**) Term: **14 Years**

(21) Appl. No.: **29/318,752**

(22) Filed: **May 27, 2008**

Primary Examiner—Sandra Morris

(74) *Attorney, Agent, or Firm*—Marger Johnson & McCollom, P.C.

(57) **CLAIM**

An ornamental design for the moving indicator, as shown and described.

DESCRIPTION

Related U.S. Application Data

(63) Continuation-in-part of application No. 29/305,344, filed on Mar. 18, 2008, now Pat. No. Des. 591,361.

(51) **LOC (9) Cl.** **21-01**

(52) **U.S. Cl.** **D21/385**

(58) **Field of Classification Search** D21/214–329, D21/369–371; 273/138.1, 144 A–114 B; 463/13, 16–17, 20, 22, 46, 47

See application file for complete search history.

(56) **References Cited**

U.S. PATENT DOCUMENTS

D420,058	S	*	2/2000	Bouchard	D21/369
D431,843	S	*	10/2000	Seelig et al.	D21/385
6,764,396	B2	*	7/2004	Seelig et al.	463/17
7,204,755	B2	*	4/2007	Seelig et al.	463/16
2003/0064789	A1	*	4/2003	Suzuki	463/20

* cited by examiner

FIG. 1 is a front view of my moving indicator showing my new design. Gaming machines are shown in dashed lines, and are not part of the claimed design;

FIG. 2 is a side view of the design of FIG. 1; and

FIG. 3 is a top view of the design of FIG. 1.

FIG. 4 is a front view of my moving indicator showing a first alternative design to FIG. 1. Gaming machines are shown in dashed lines and are not part of the claimed design;

FIG. 5 is a side view of the design of FIG. 4; and

FIG. 6 is a top view of the design of FIG. 4.

FIG. 7 is front view of my moving indicator showing a second alternative design to FIG. 1. Gaming machines are shown in dashed lines and are not part of the claimed design;

FIG. 8 is a side view of the design of FIG. 7; and,

FIG. 9 is a top view of the design of FIG. 7.

1 Claim, 6 Drawing Sheets

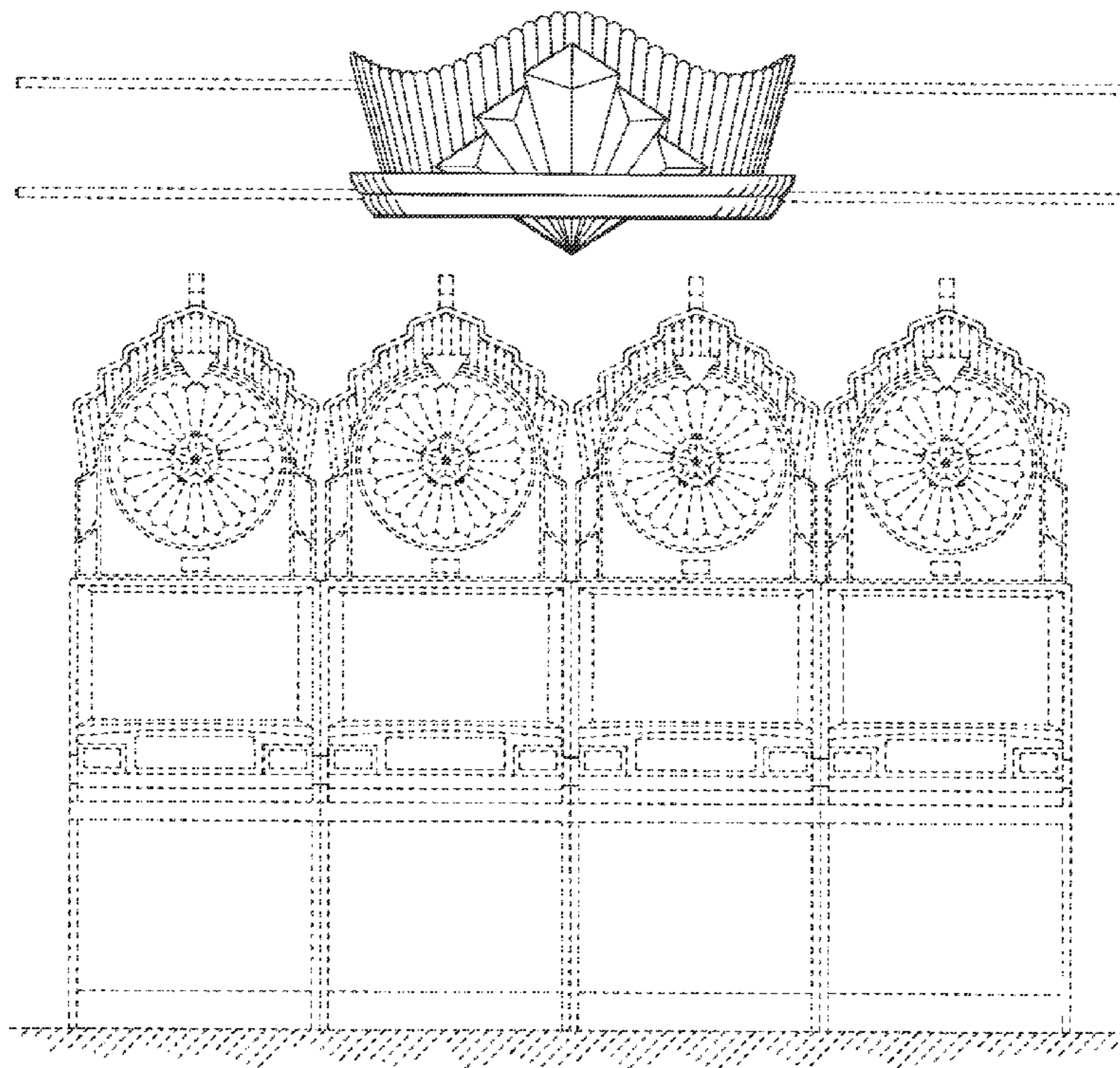
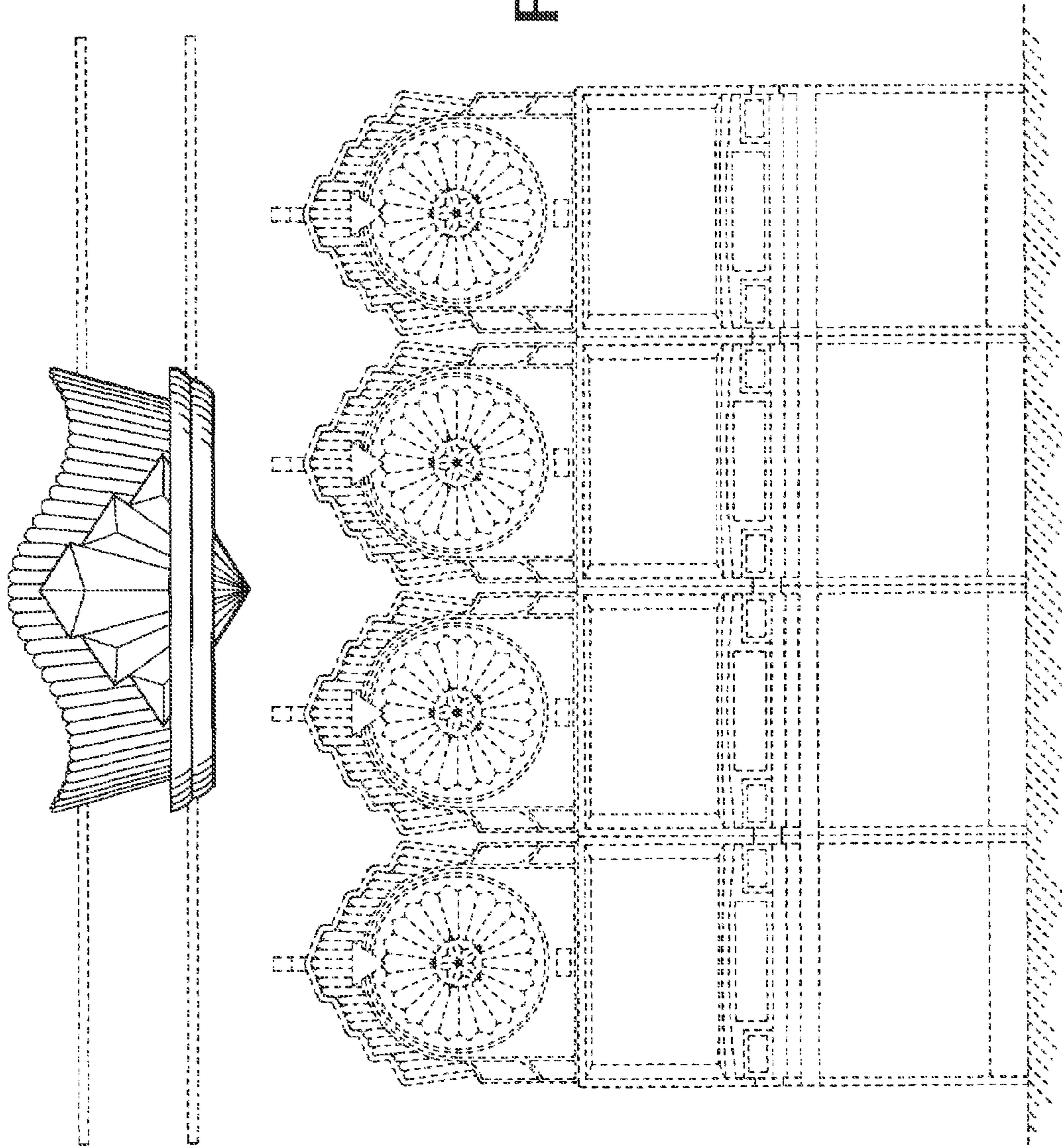


FIG. 1



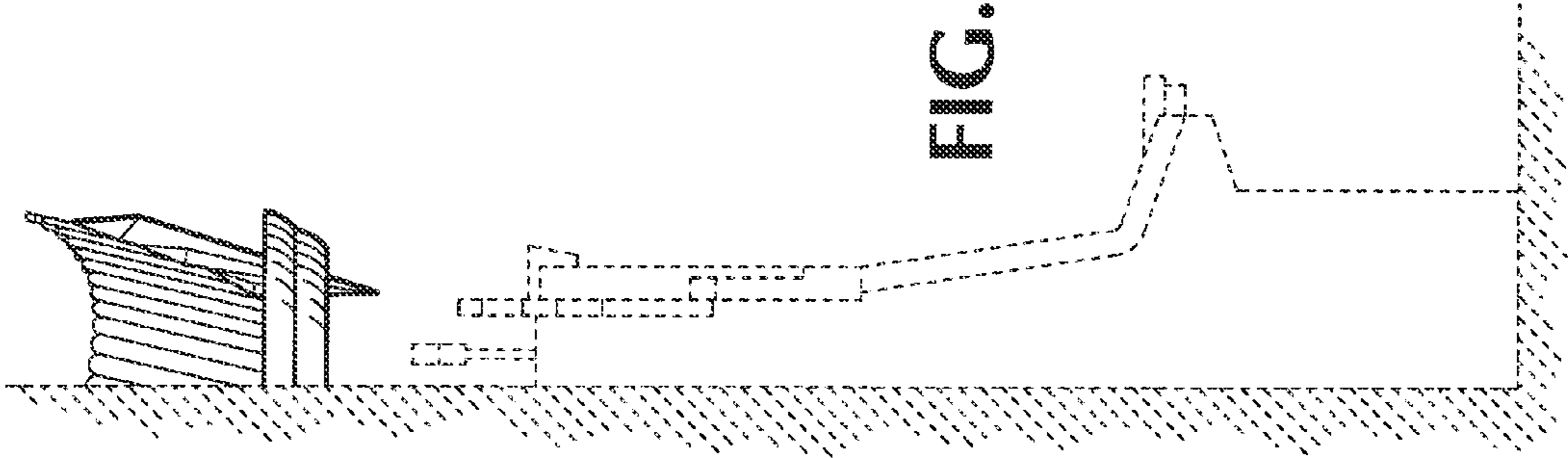


FIG. 2

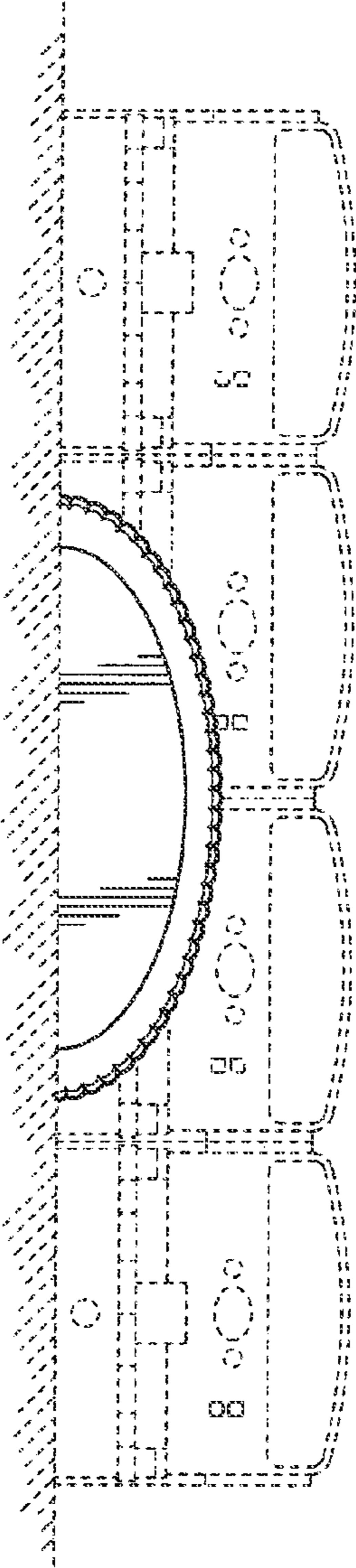
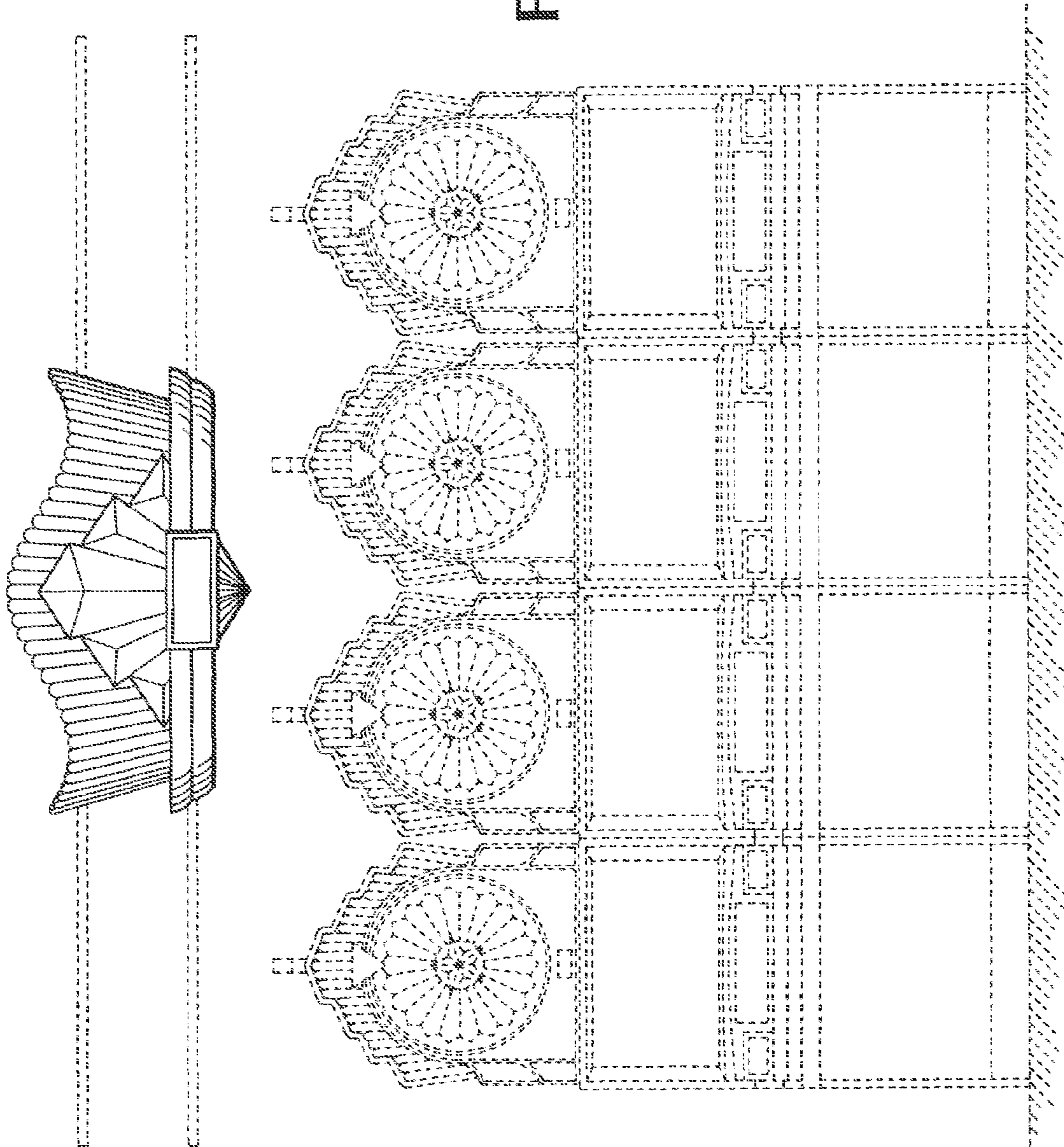


FIG. 3

FIG. 4



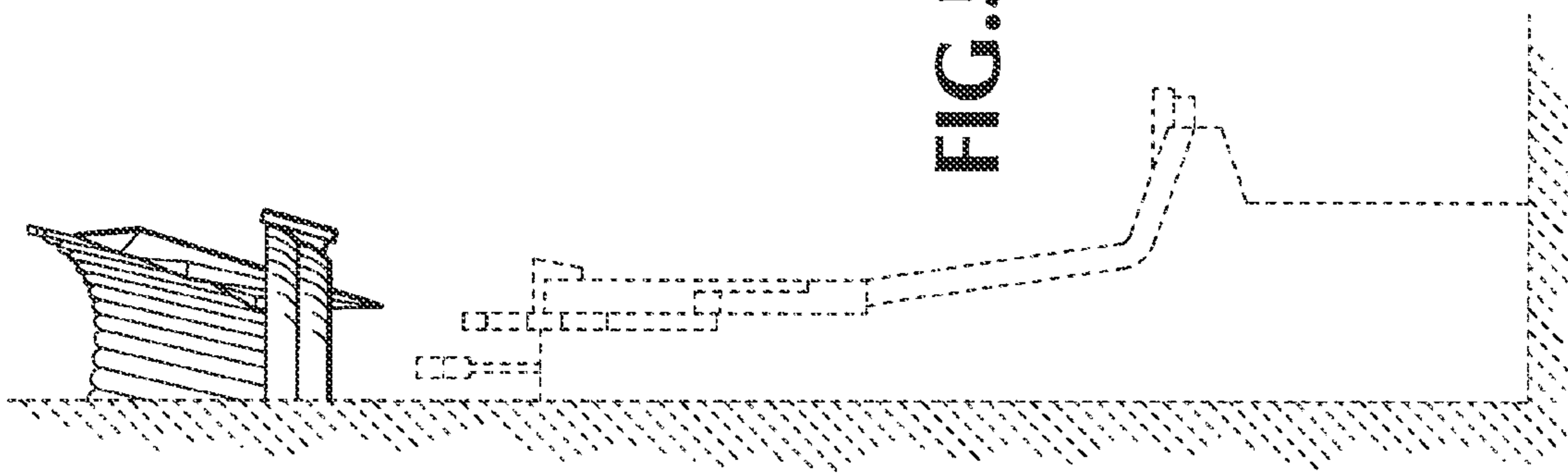


FIG. 5

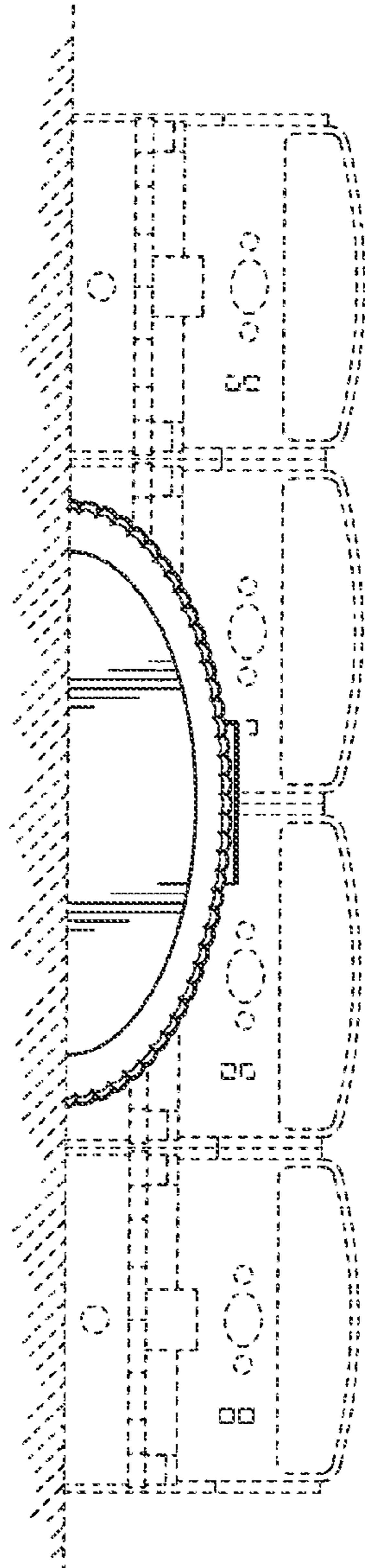
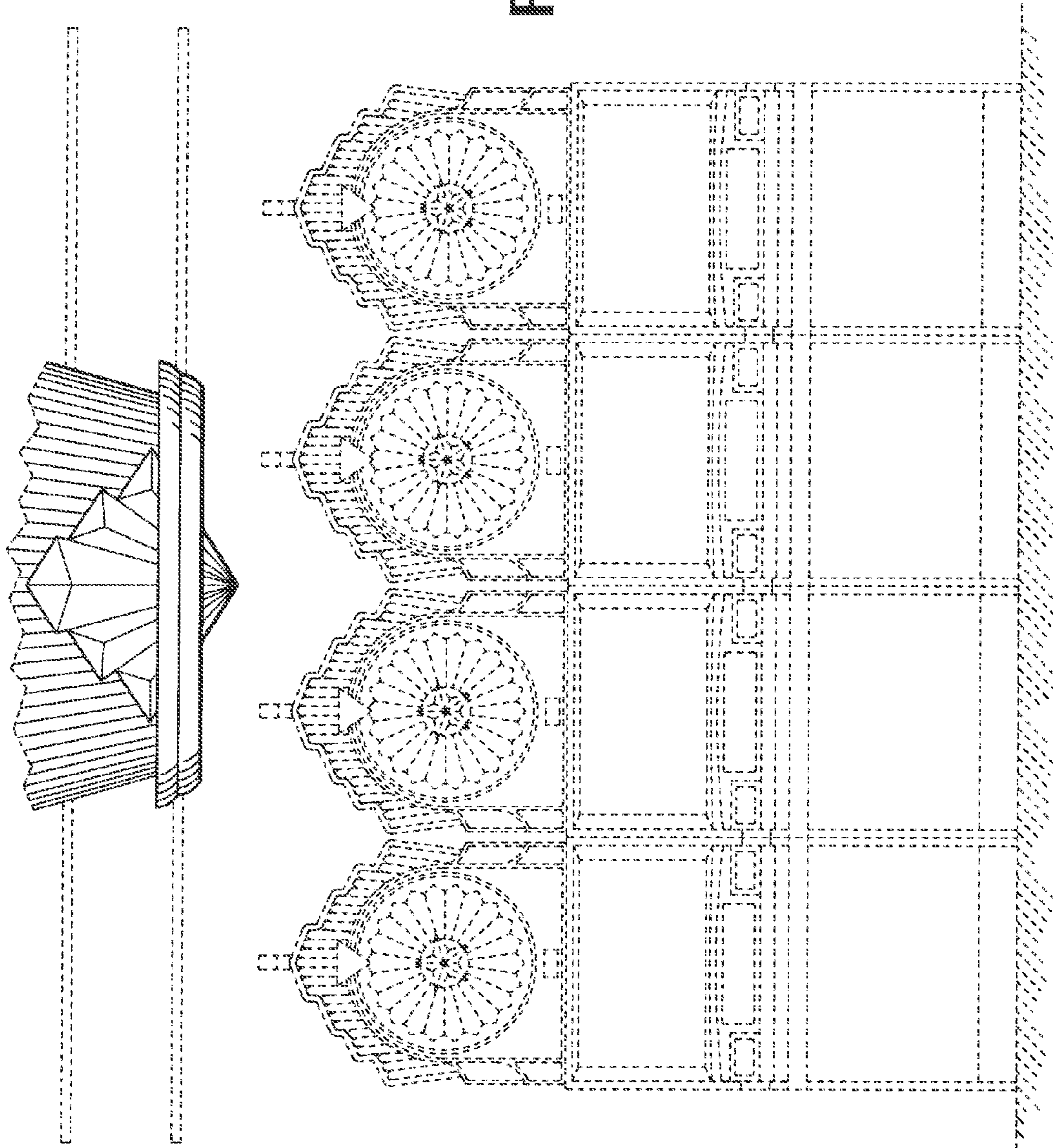


FIG. 6

FIG. 7



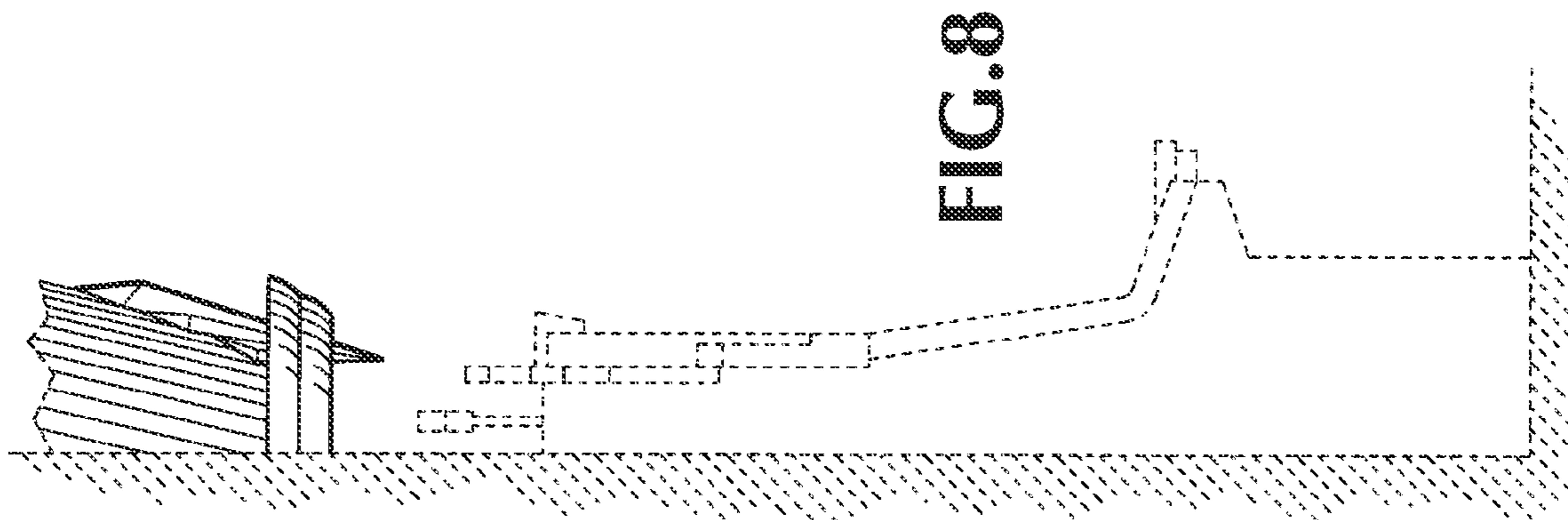


FIG. 8

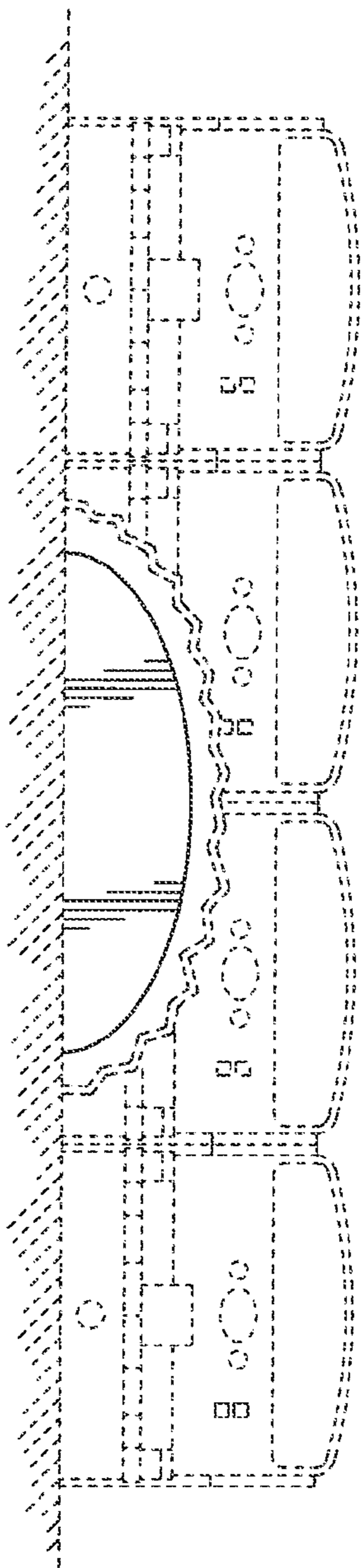


FIG. 9