

US00D597142S

(12) **United States Design Patent**  
**Labeledz et al.**

(10) **Patent No.:** **US D597,142 S**  
(45) **Date of Patent:** **\*\* Jul. 28, 2009**

(54) **INTERACTIVE GAME KIOSK**  
(75) Inventors: **Lawrence Labeledz**, Naperville, IL (US);  
**William Carter**, Dyer, IN (US);  
**Patricia Venetucci**, Hawthorn Woods, IL (US)  
(73) Assignee: **Keyser Interactive, LLC**, Evergreen Park, IL (US)

5,888,172 A 3/1999 Andrus et al.  
5,989,123 A 11/1999 Tosaki  
6,004,243 A 12/1999 Ewert  
6,022,272 A 2/2000 Sano  
6,024,675 A \* 2/2000 Kashiwaguchi ..... 482/4  
D432,585 S \* 10/2000 Okabe ..... D21/324  
6,142,913 A 11/2000 Ewert  
6,152,856 A 11/2000 Studor

(Continued)

(\*\*) Term: **14 Years**  
(21) Appl. No.: **29/312,718**  
(22) Filed: **Nov. 7, 2008**

**OTHER PUBLICATIONS**

(51) **LOC (9) Cl.** ..... **21-01**  
(52) **U.S. Cl.** ..... **D21/325; D21/333**  
(58) **Field of Classification Search** ..... D21/324–326,  
D21/328, 333, 663–667; 273/148 B, 440,  
273/441, 445, 449, 450, 460, 451; 463/1,  
463/6, 7, 30–32, 36, 47; 482/1–9, 51, 54,  
482/57–6; 345/161–163; 700/20, 91, 92;  
434/61

U.S. Appl. No. 12/286,715, Labeledz et al.  
U.S. Appl. No. 29/312,701, Labeledz et al.  
U.S. Appl. No. 29/312,719, Labeledz et al.  
U.S. Appl. No. 29/312,700, Labeledz et al.  
U.S. Appl. No. 29/312,024, Labeledz et al.  
U.S. Appl. No. 29/312,046, Labeledz et al.  
U.S. Appl. No. 29/312,045, Labeledz et al.

*Primary Examiner*—Prabhakar Deshmukh  
(74) *Attorney, Agent, or Firm*—Ryndak & Suri LLP

See application file for complete search history.

(57) **CLAIM**

The ornamental design for an interactive game kiosk, as shown and described.

(56) **References Cited**

**DESCRIPTION**

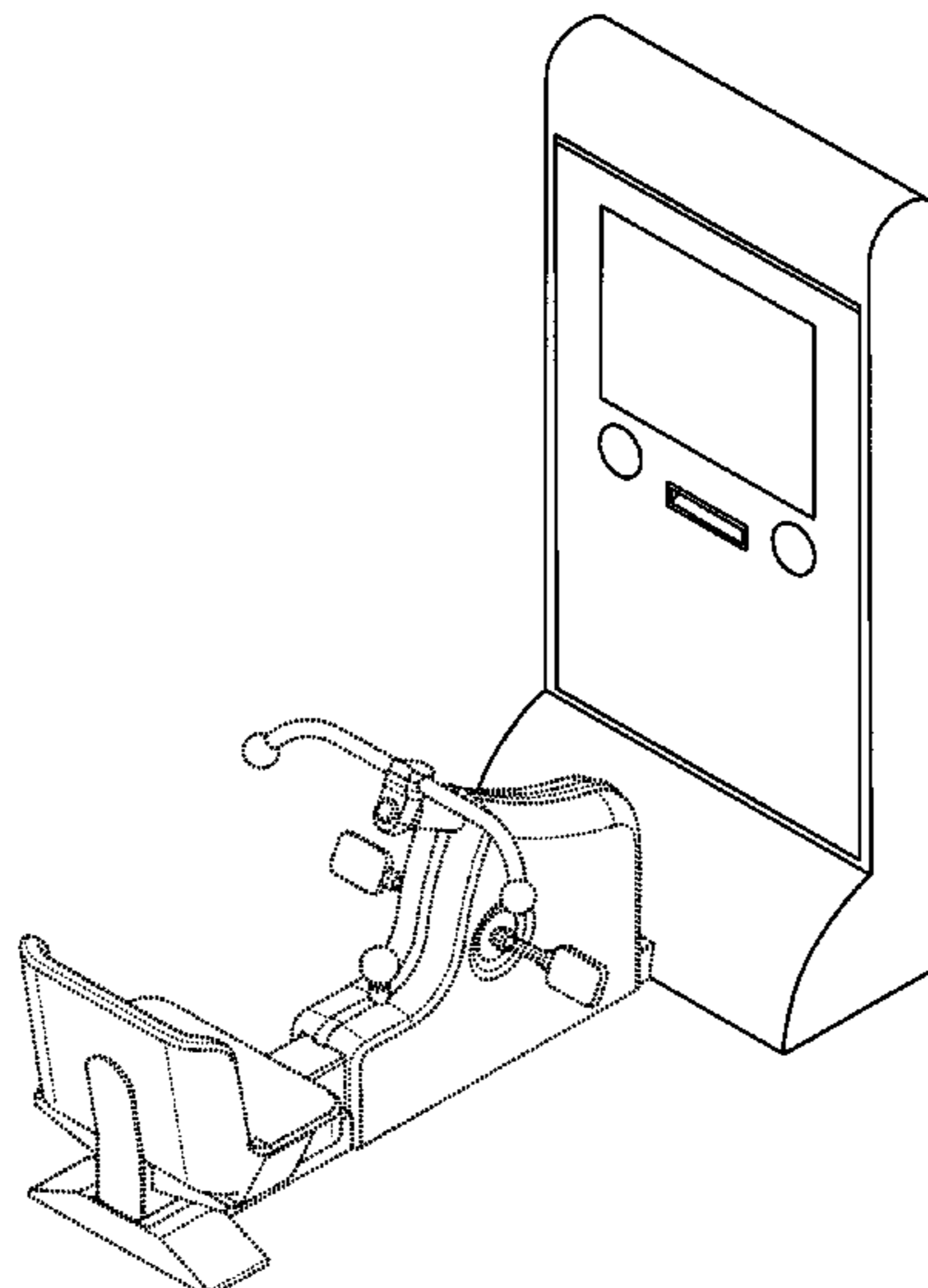
**U.S. PATENT DOCUMENTS**

4,630,817 A \* 12/1986 Buckley ..... 463/37  
4,887,967 A \* 12/1989 Letovsky et al. .... 434/61  
5,209,662 A \* 5/1993 Fujita et al. .... 434/61  
5,213,555 A 5/1993 Hood et al.  
5,246,411 A \* 9/1993 Rackman et al. .... 482/57  
5,462,503 A 10/1995 Ulrich et al.  
5,466,200 A 11/1995 Ulrich et al.  
5,591,104 A \* 1/1997 Andrus et al. .... 482/7  
5,667,459 A 9/1997 Su  
5,772,504 A \* 6/1998 Machiguchi ..... 463/6  
5,785,630 A 7/1998 Bobrick et al.  
5,823,876 A \* 10/1998 Unbehand ..... 463/37  
5,839,990 A 11/1998 Vijkkrala  
D403,032 S \* 12/1998 Huang ..... D21/666

FIG. 1 is a perspective view of an interactive game kiosk showing our new design;  
FIG. 2 is a front elevational view thereof;  
FIG. 3 is rear elevational view thereof;  
FIG. 4 is a right side elevational view thereof;  
FIG. 5 is a left side elevational view thereof;  
FIG. 6 is a top plan view thereof; and,  
FIG. 7 is a bottom plan view thereof.

The broken lines are for illustrative purpose only and form no part of the claimed design.

**1 Claim, 4 Drawing Sheets**



# US D597,142 S

Page 2

---

## U.S. PATENT DOCUMENTS

6,217,449 B1	4/2001	Kaku			
6,244,988 B1	6/2001	Delman			
6,368,217 B2	4/2002	Kanno et al.			
D478,042 S *	8/2003	Yaguchi et al.	.....	D13/114	
D479,865 S *	9/2003	Arai et al.	.....	D21/666	
D480,120 S *	9/2003	Arai et al.	.....	D21/666	
6,739,974 B2	5/2004	Kanno et al.			
6,881,176 B2	4/2005	Oishi et al.			
					6,902,513 B1 6/2005 McClure
					6,910,991 B2 6/2005 Matsumoto
					2002/0055418 A1 5/2002 Pyles et al.
					2006/0270522 A1 11/2006 Yonehana
					2006/0292534 A1 12/2006 Tomes
					2007/0123390 A1 5/2007 Mathis
					2007/0184940 A1 8/2007 Tomes
					2007/0254778 A1 11/2007 Ashby

\* cited by examiner

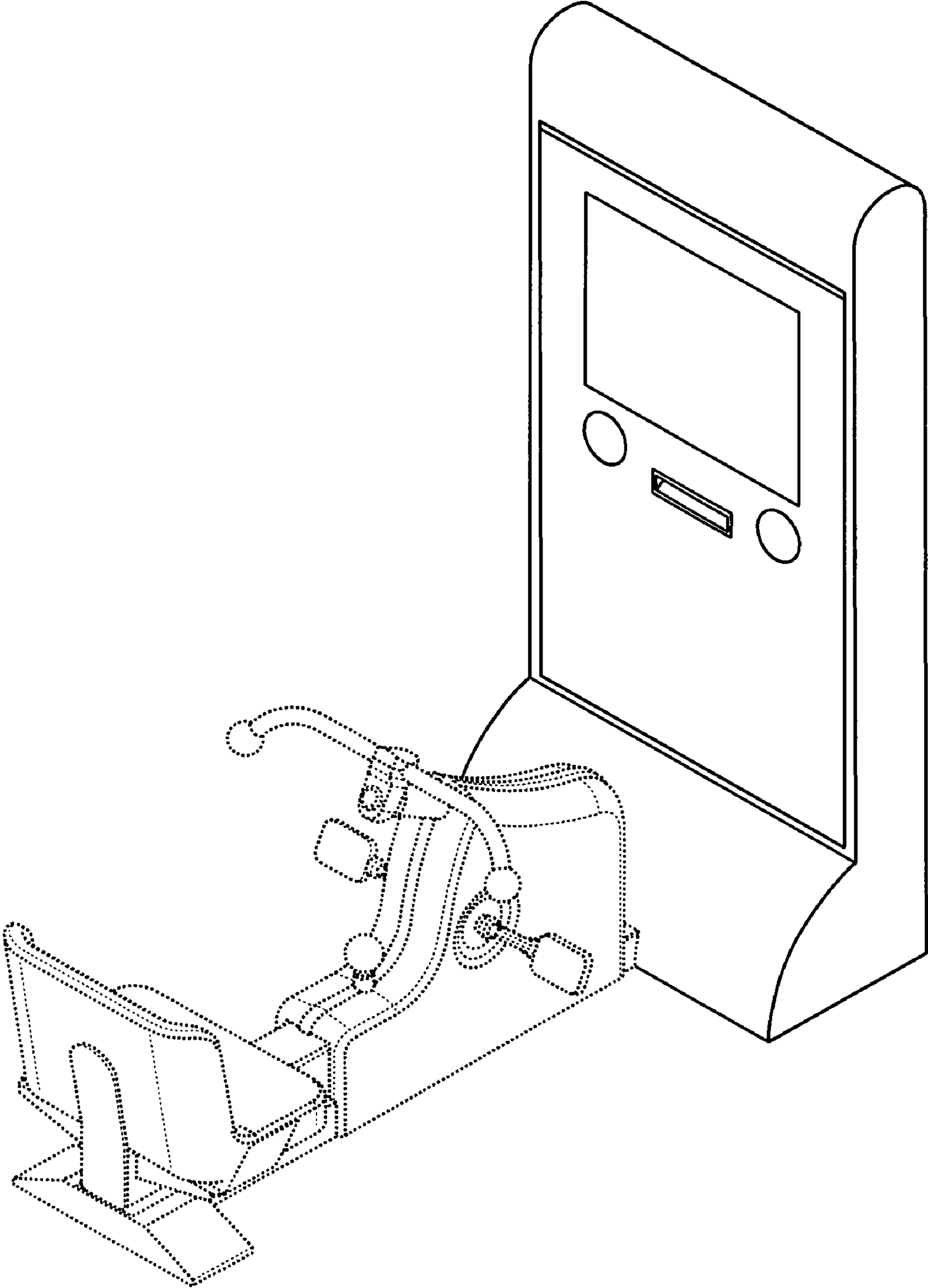


Fig. 1

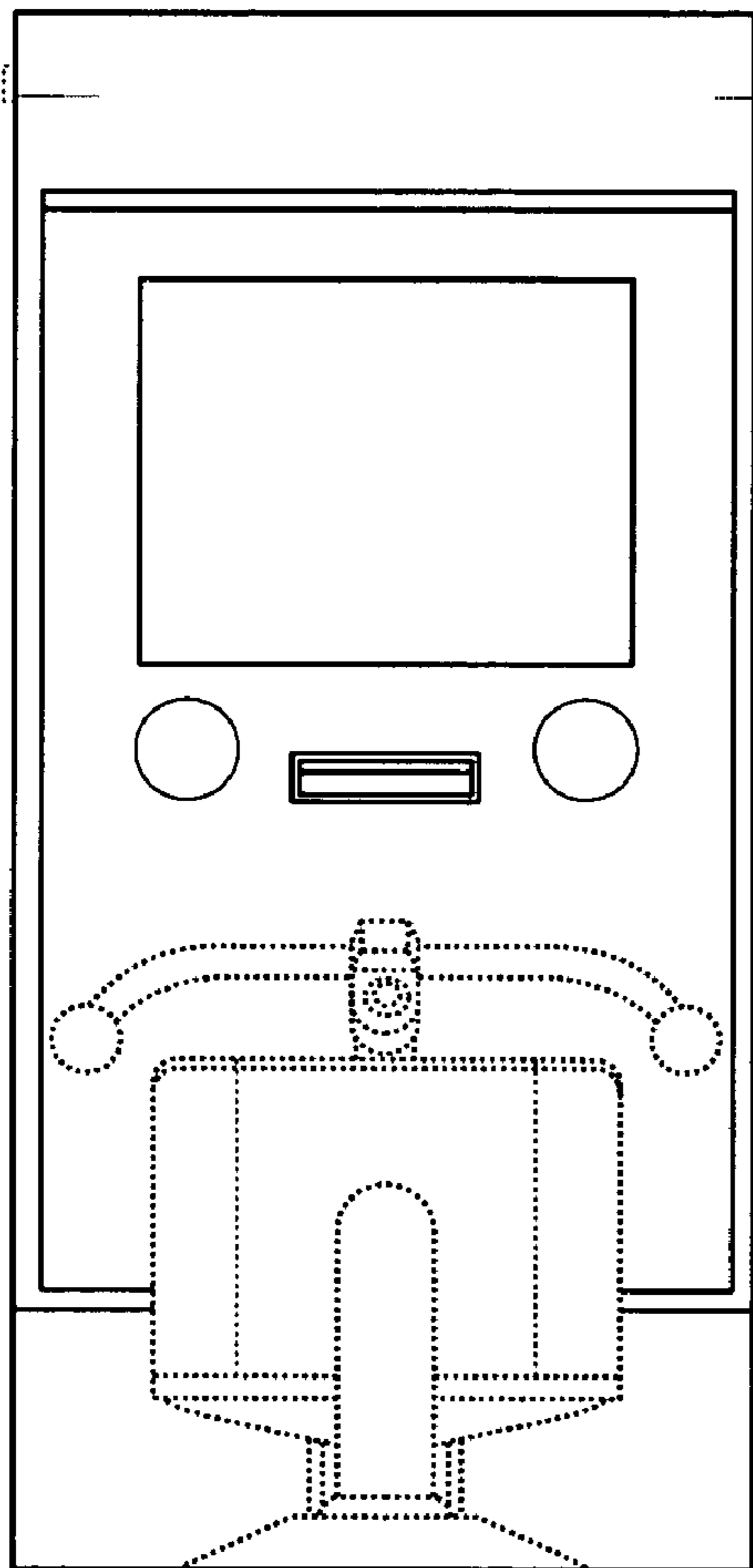


Fig. 2

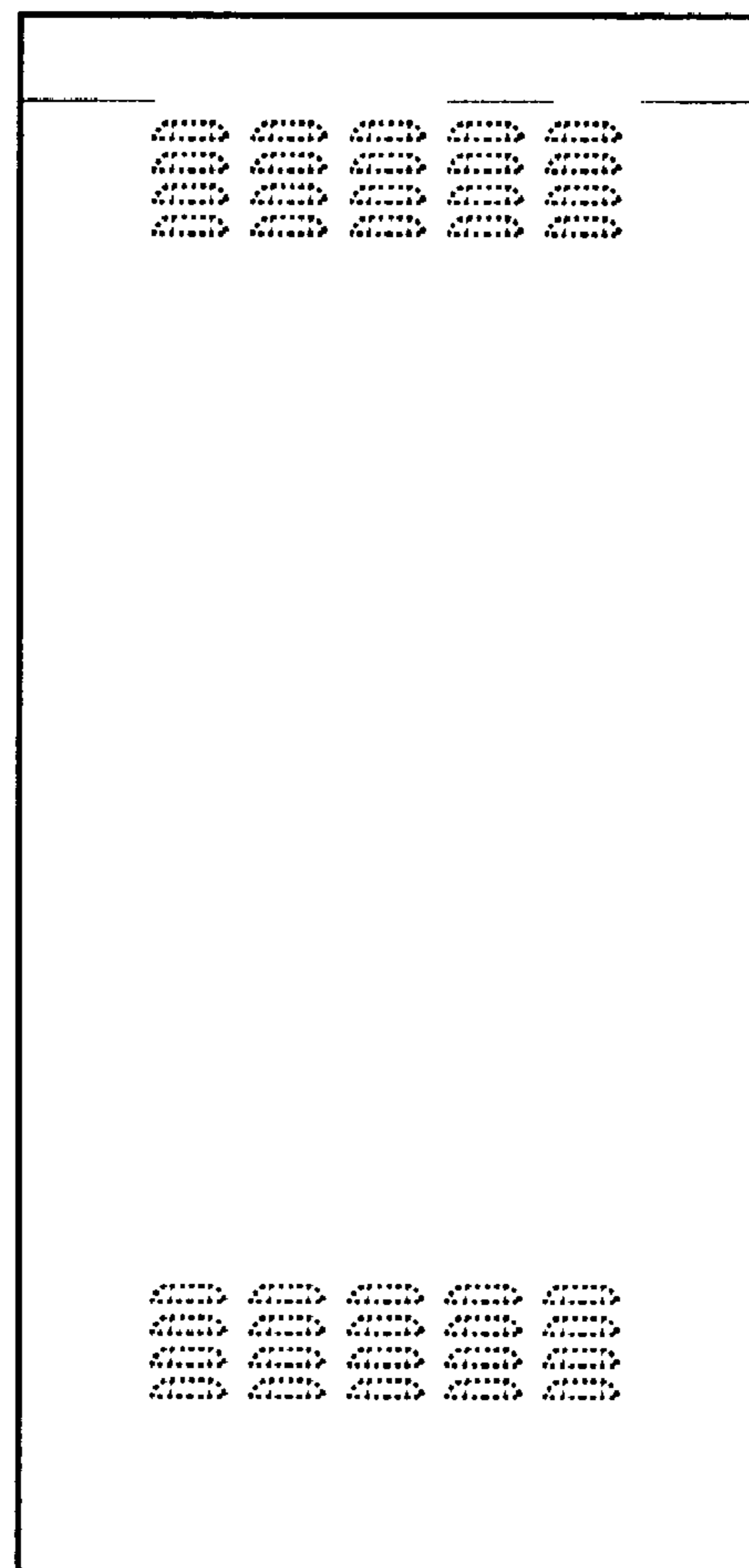


Fig. 3

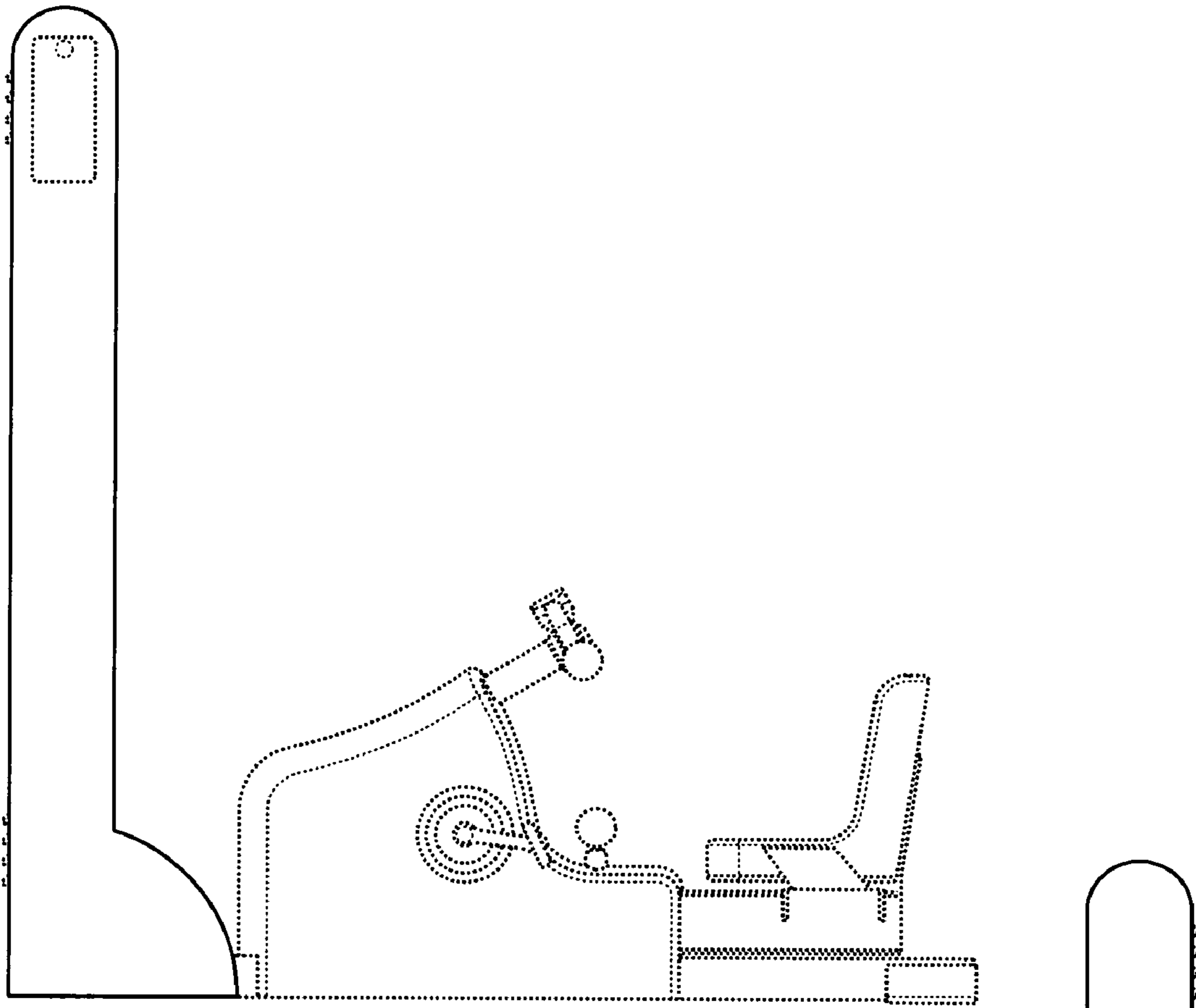


Fig. 4

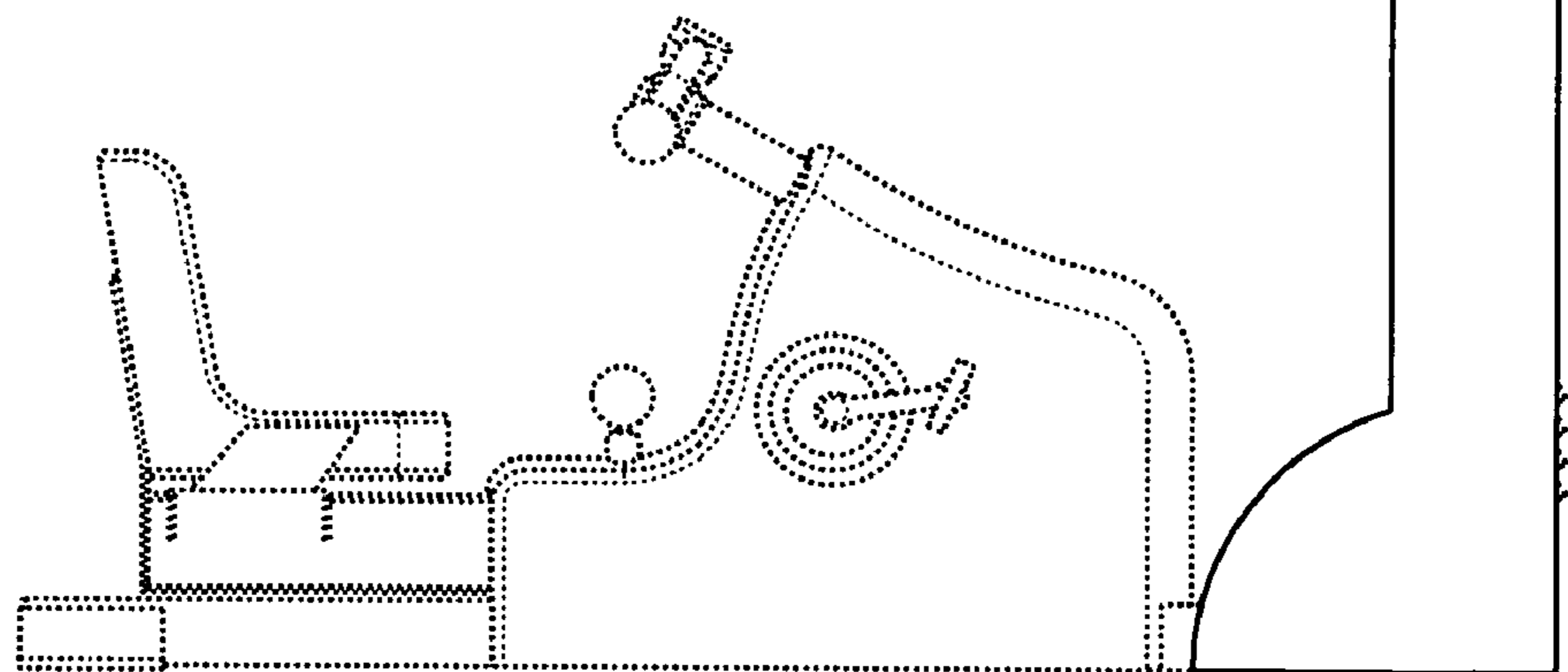


Fig. 5

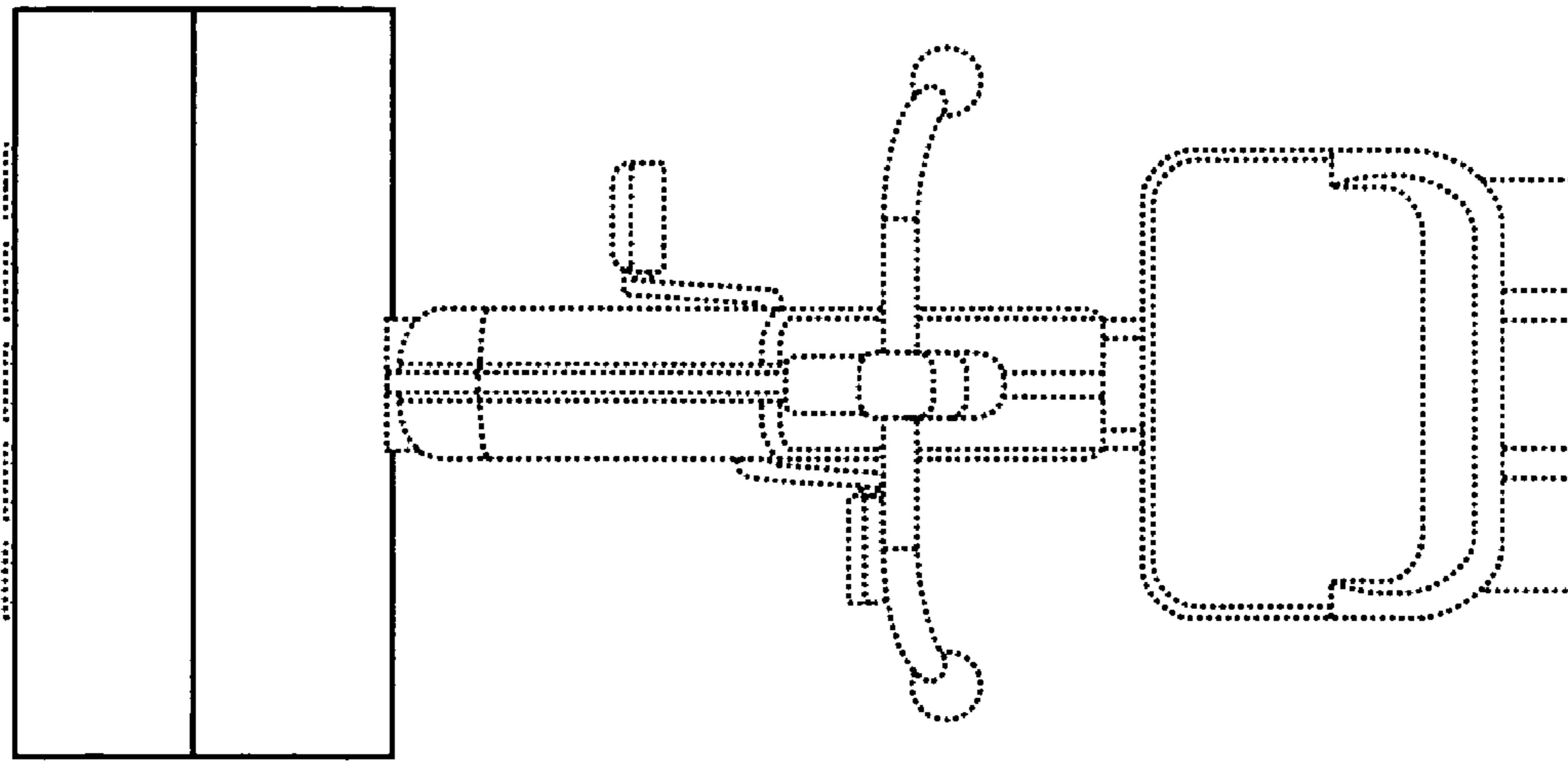


Fig. 6

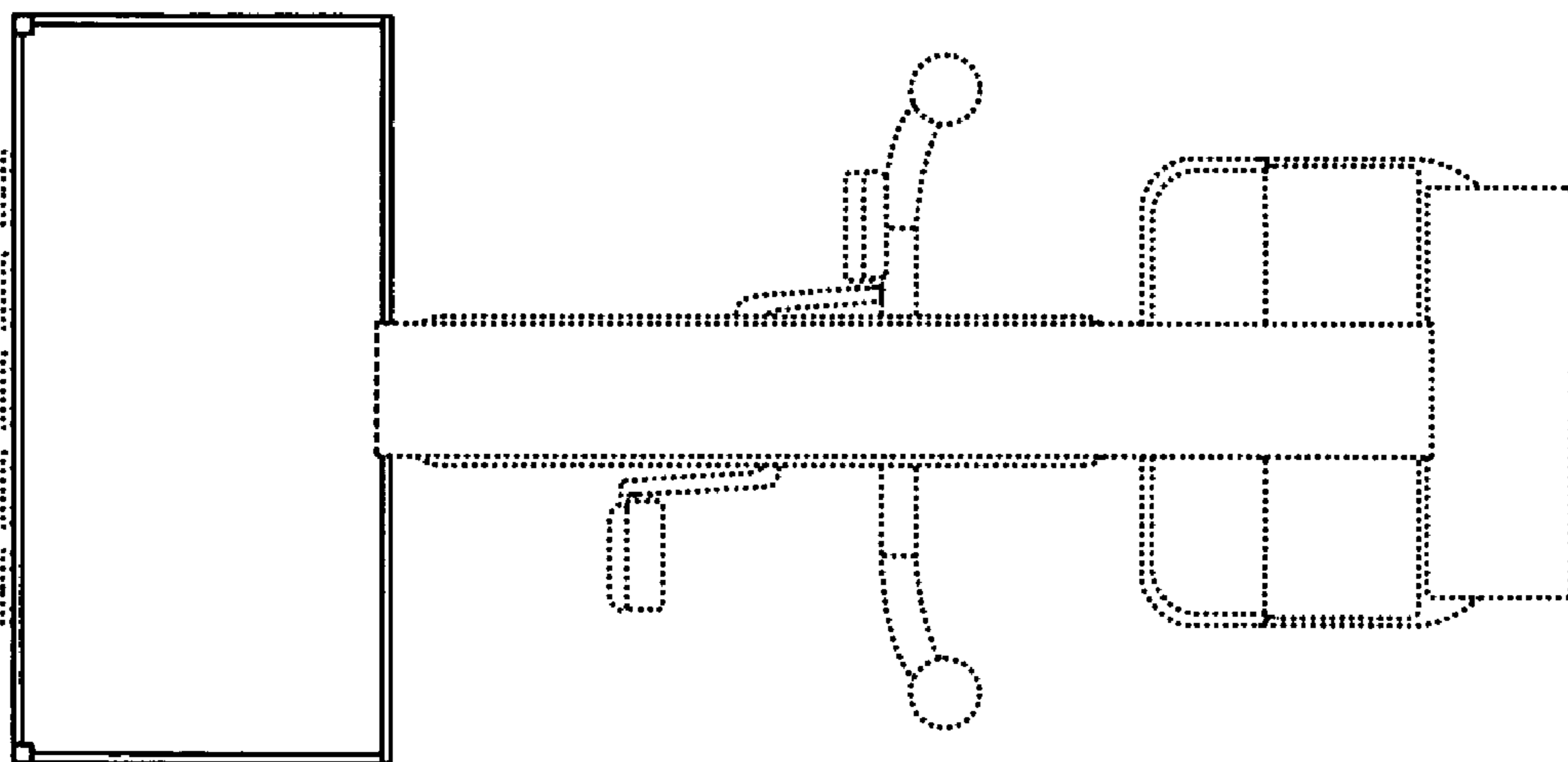


Fig. 7