



US00D597141S

(12) **United States Design Patent**  
**Labeledz et al.**

(10) **Patent No.:** **US D597,141 S**  
(45) **Date of Patent:** **\*\* Jul. 28, 2009**

(54) **INTERACTIVE GAME KIOSK WITH BICYCLE**

(75) Inventors: **Lawrence Labeledz**, Naperville, IL (US);  
**William Carter**, Dyer, IN (US);  
**Patricia Venetucci**, Hawthorn Woods, IL (US)

(73) Assignee: **Keyser Interactive, LLC**, Evergreen Park, IL (US)

(\*\*) Term: **14 Years**

(21) Appl. No.: **29/312,700**

(22) Filed: **Nov. 7, 2008**

(51) **LOC (9) Cl.** ..... **21-01**

(52) **U.S. Cl.** ..... **D21/325**

(58) **Field of Classification Search** ..... D21/324–326,  
D21/328, 333, 663–667; 273/148 B, 440,  
273/441, 445, 449, 450, 460, 451; 463/1,  
463/6, 7, 30–32, 36, 47; 482/1–9, 51, 54,  
482/57–6; 345/161–163; 700/20, 91, 92;  
434/61

See application file for complete search history.

(56) **References Cited**

**U.S. PATENT DOCUMENTS**

- 4,630,817 A \* 12/1986 Buckley ..... 463/37
- 4,887,967 A \* 12/1989 Letovsky et al. .... 434/61
- 5,137,501 A 8/1992 Mertesdorf
- 5,209,662 A \* 5/1993 Fujita et al. .... 434/61
- 5,246,411 A \* 9/1993 Rackman et al. .... 482/57
- 5,462,503 A 10/1995 Ulrich et al.
- 5,466,200 A 11/1995 Ulrich et al.
- 5,591,104 A \* 1/1997 Andrus et al. .... 482/7
- 5,645,513 A 7/1997 Haydocy et al.
- 5,772,504 A \* 6/1998 Machiguchi ..... 463/6
- 5,785,630 A 7/1998 Bobrick et al.
- 5,823,876 A \* 10/1998 Unbehand ..... 463/37
- 5,839,990 A 11/1998 Virkkala
- D403,032 S \* 12/1998 Huang ..... D21/666
- 5,888,172 A 3/1999 Andrus et al.

- 5,989,123 A 11/1999 Tosaki
- 6,004,243 A 12/1999 Ewert
- 6,024,675 A \* 2/2000 Kashiwaguchi ..... 482/4
- D432,585 S \* 10/2000 Okabe ..... D21/324
- 6,142,913 A 11/2000 Ewert
- 6,152,856 A 11/2000 Studor
- 6,217,449 B1 4/2001 Kaku
- 6,296,571 B1 10/2001 McVicar
- D478,042 S \* 8/2003 Yaguchi et al. .... D13/114
- D479,865 S \* 9/2003 Arai et al. .... D21/666
- D480,120 S \* 9/2003 Arai et al. .... D21/666
- 6,712,737 B1 3/2004 Nusbaum

**OTHER PUBLICATIONS**

- U.S. Appl. No. 12/286,715, Labeledz et al.
- U.S. Appl. No. 29/312,701, Labeledz et al.
- U.S. Appl. No. 29/312,719, Labeledz et al.
- U.S. Appl. No. 29/312,718, Labeledz et al.
- U.S. Appl. No. 29/312,702, Labeledz et al.
- U.S. Appl. No. 29/312,699, Labeledz et al.

*Primary Examiner*—Prabhakar Deshmukh  
(74) *Attorney, Agent, or Firm*—Ryndak & Suri LLP

(57) **CLAIM**

The ornamental design for an interactive game kiosk with bicycle, as shown and described.

**DESCRIPTION**

FIG. 1 is a perspective view of an interactive game kiosk with bicycle showing our new design;

FIG. 2 is a front elevational view thereof;

FIG. 3 is rear elevational view thereof;

FIG. 4 is a right side elevational view thereof;

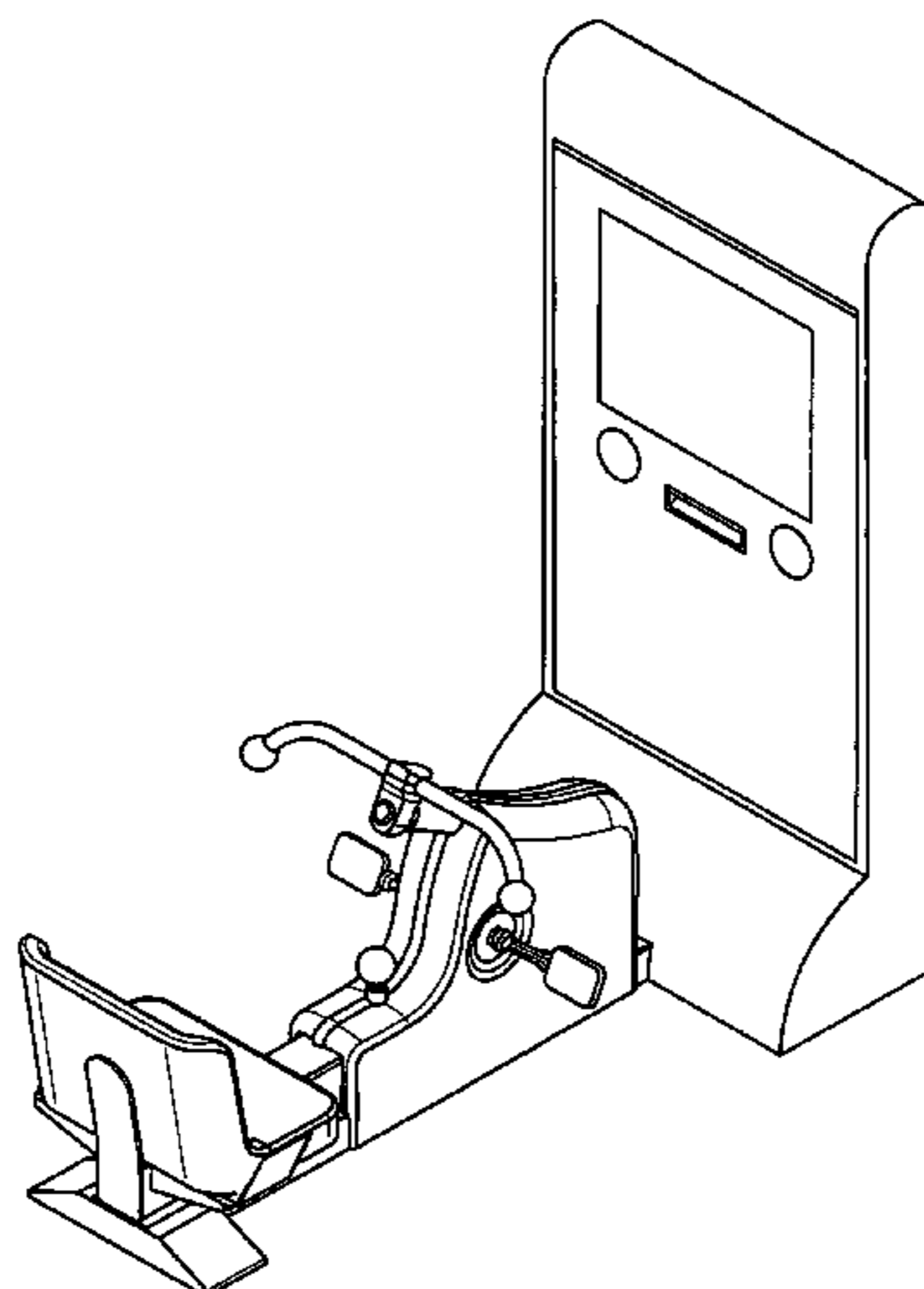
FIG. 5 is a left side elevational view thereof;

FIG. 6 is a top plan view thereof; and,

FIG. 7 is a bottom plan view thereof.

The broken lines are for illustrative purpose only and form no part of the claimed design.

**1 Claim, 4 Drawing Sheets**



# US D597,141 S

Page 2

---

## U.S. PATENT DOCUMENTS

6,881,176 B2 4/2005 Oishi et al.  
6,902,513 B1 6/2005 McClure  
6,910,991 B2 6/2005 Matsumoto  
6,918,860 B1 7/2005 Nusbaum  
2002/0055418 A1 5/2002 Pyles et al.  
2003/0171190 A1 9/2003 Rice

2006/0229163 A1 10/2006 Waters  
2006/0270522 A1 11/2006 Yonehana  
2006/0292534 A1 12/2006 Tomes  
2007/0123390 A1 5/2007 Mathis  
2007/0254778 A1 11/2007 Ashby

\* cited by examiner

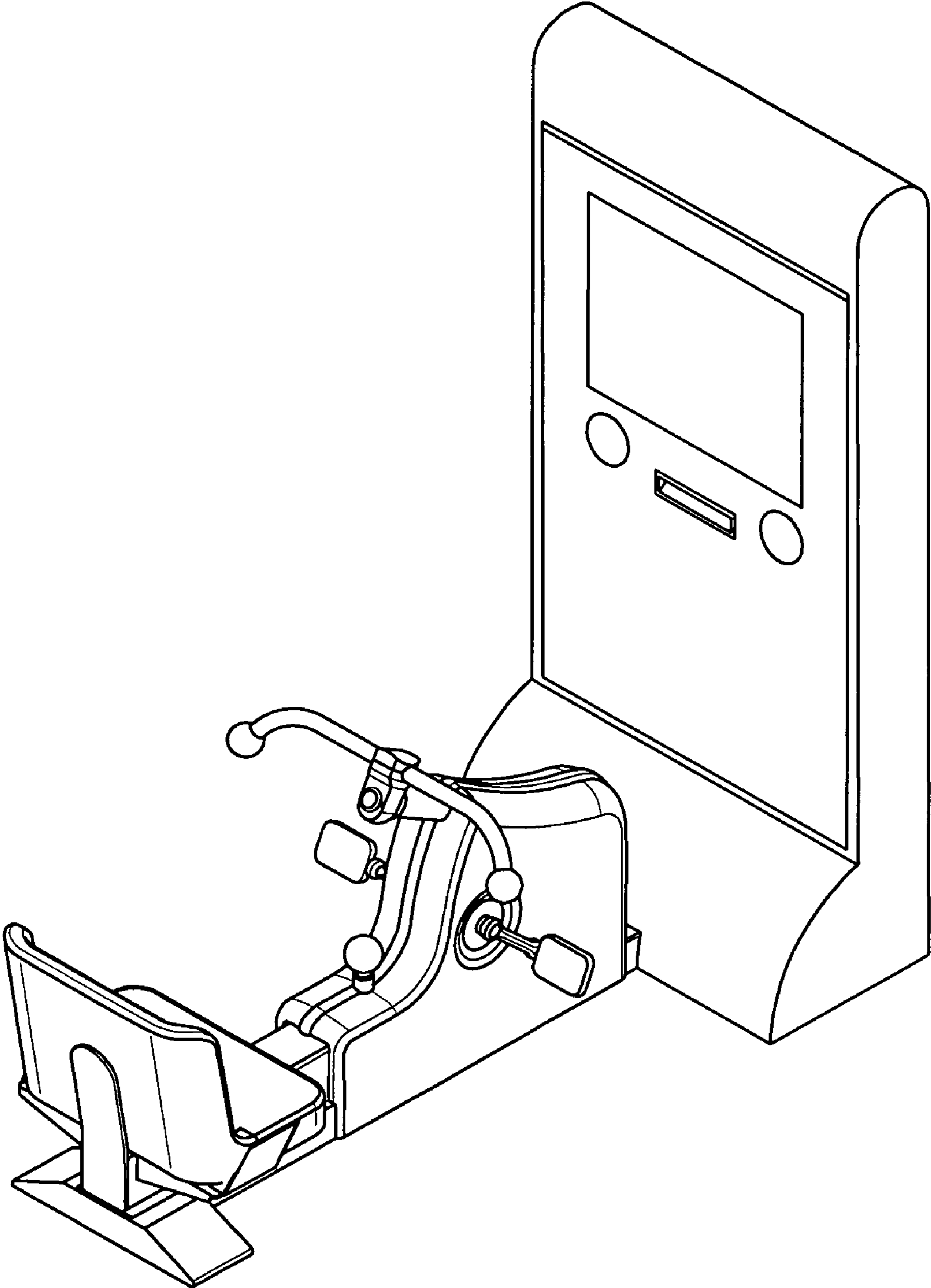


Fig. 1

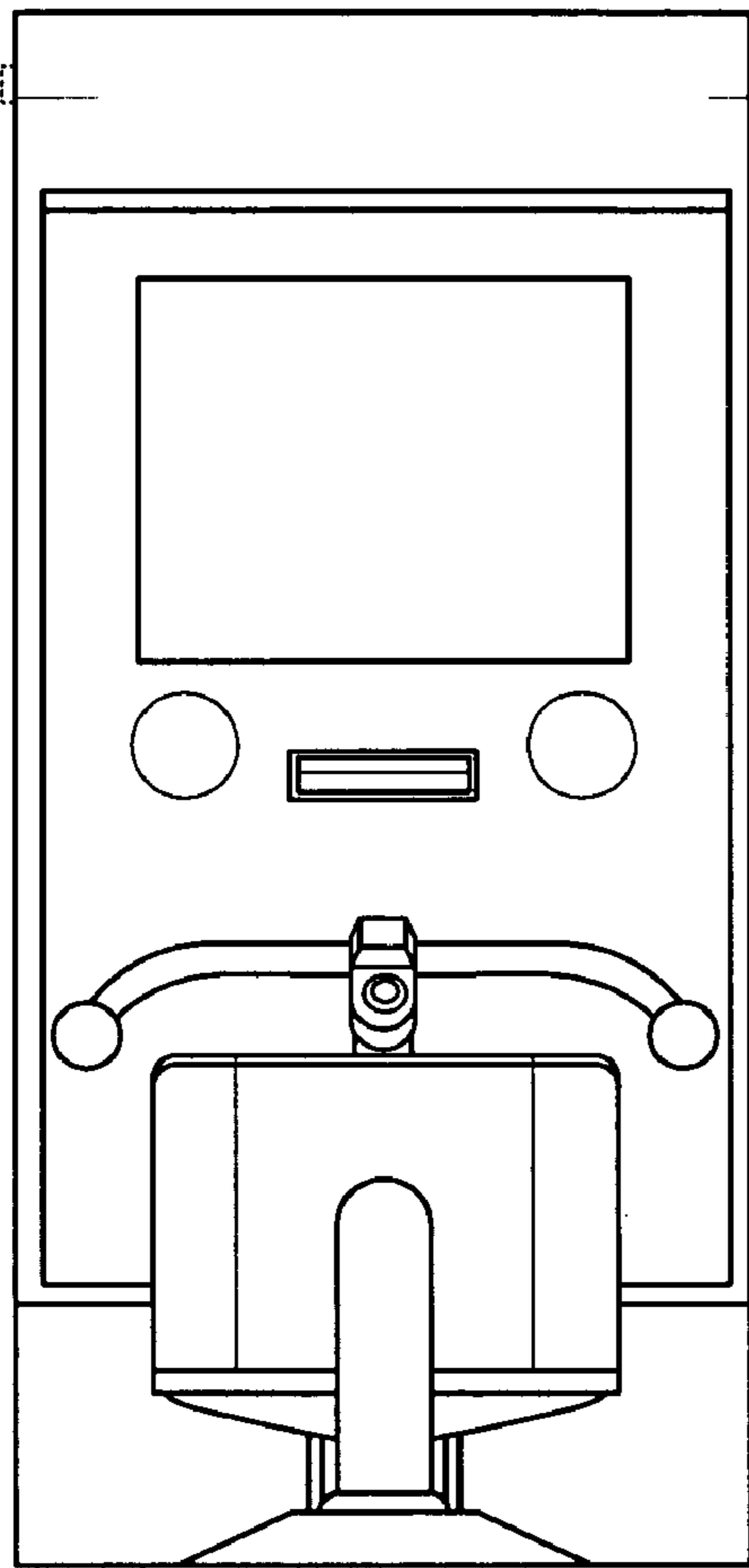


Fig. 2

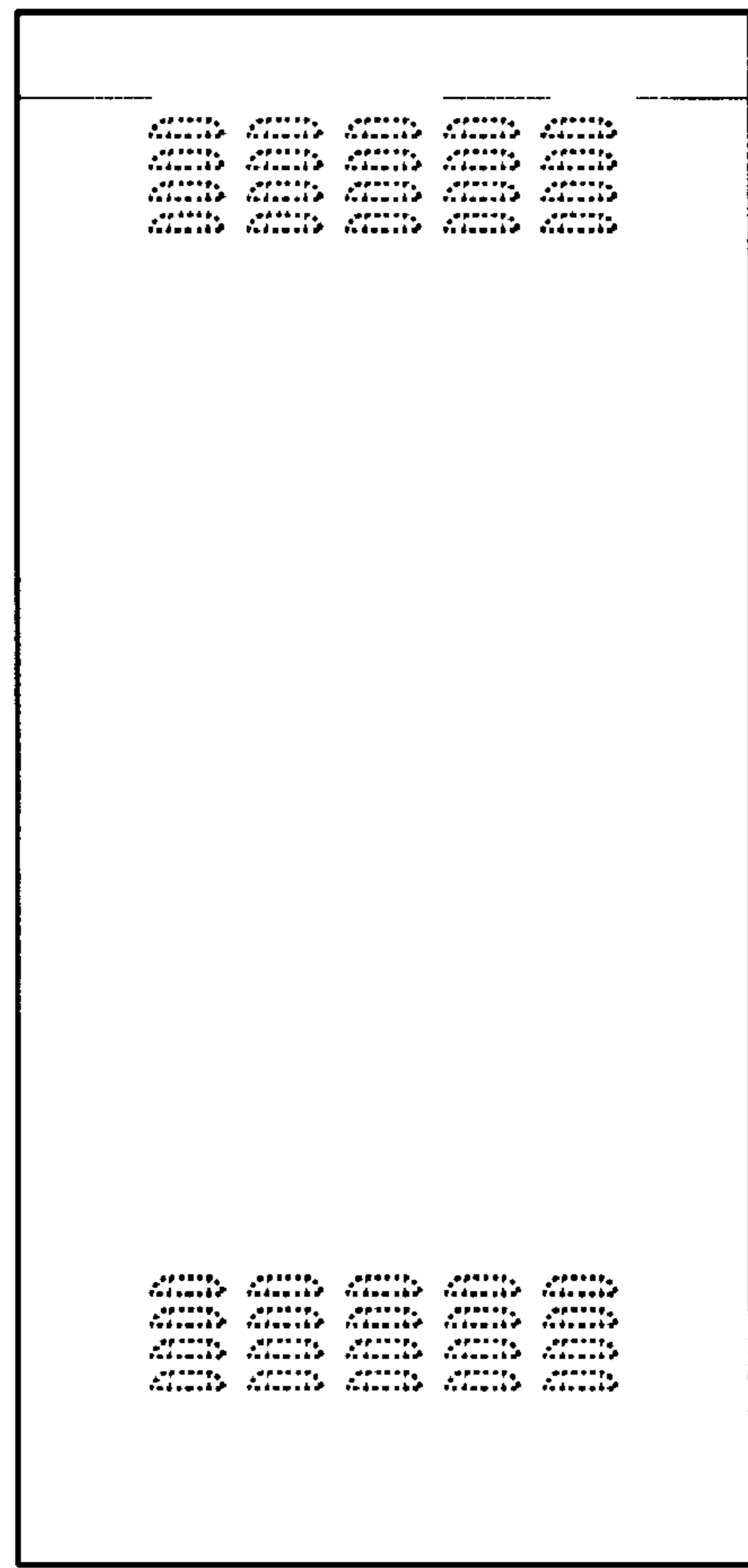


Fig. 3

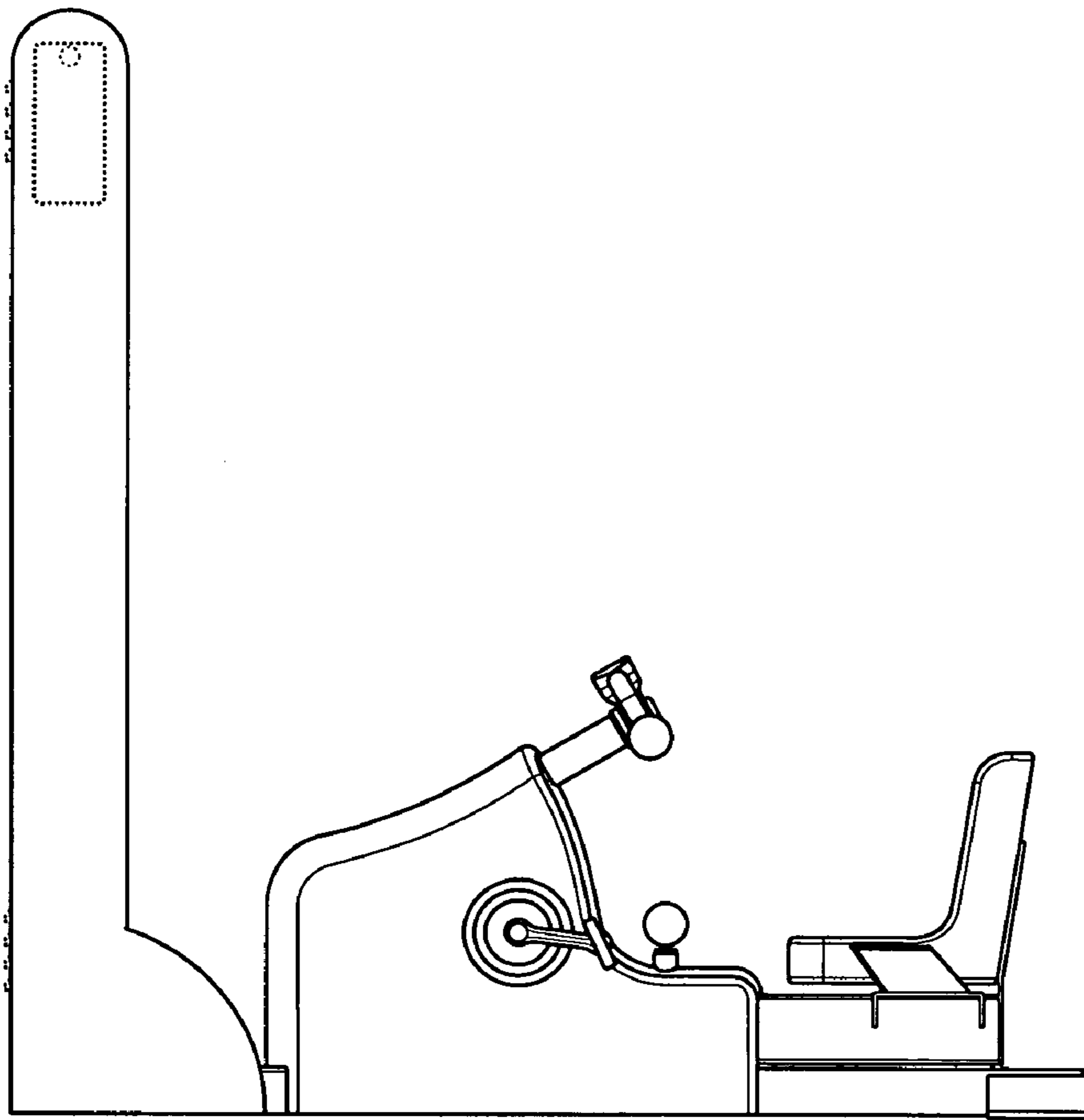


Fig. 4

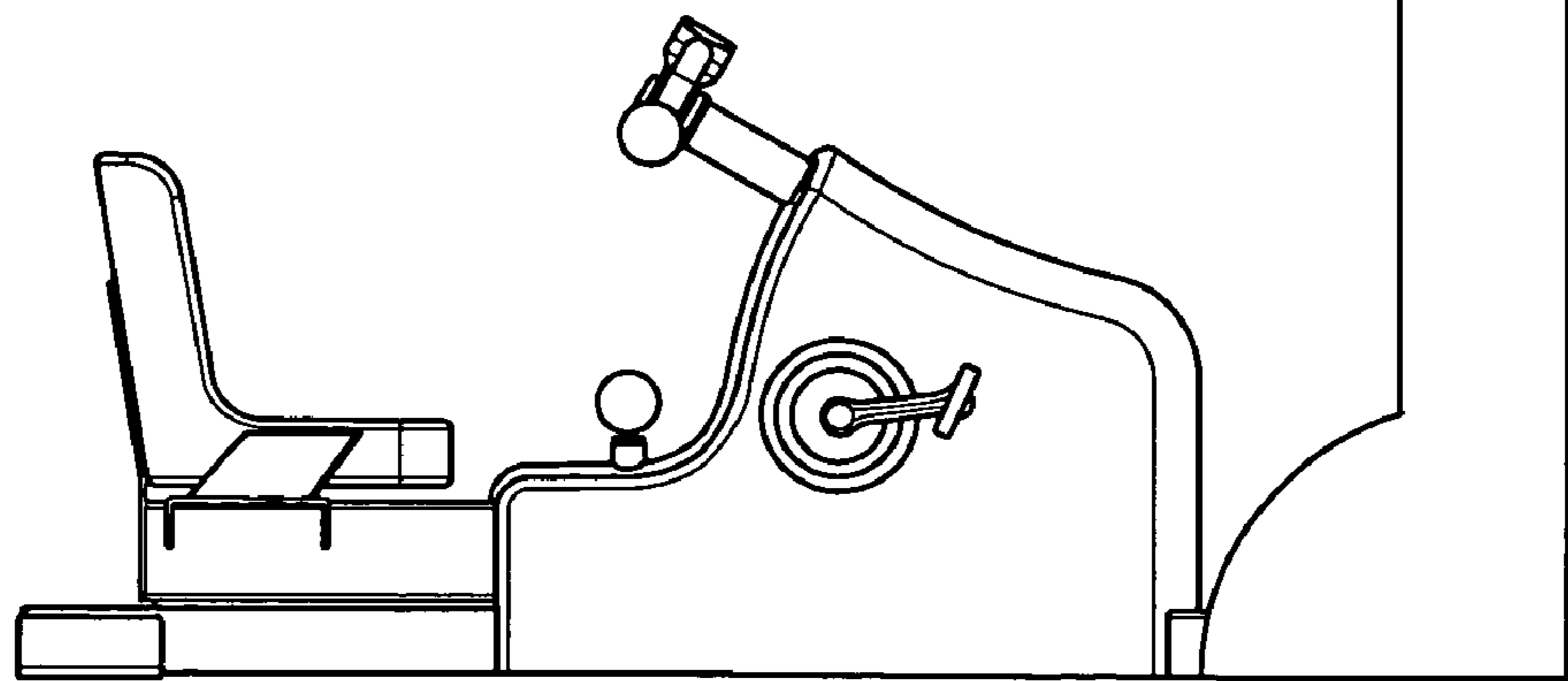


Fig. 5

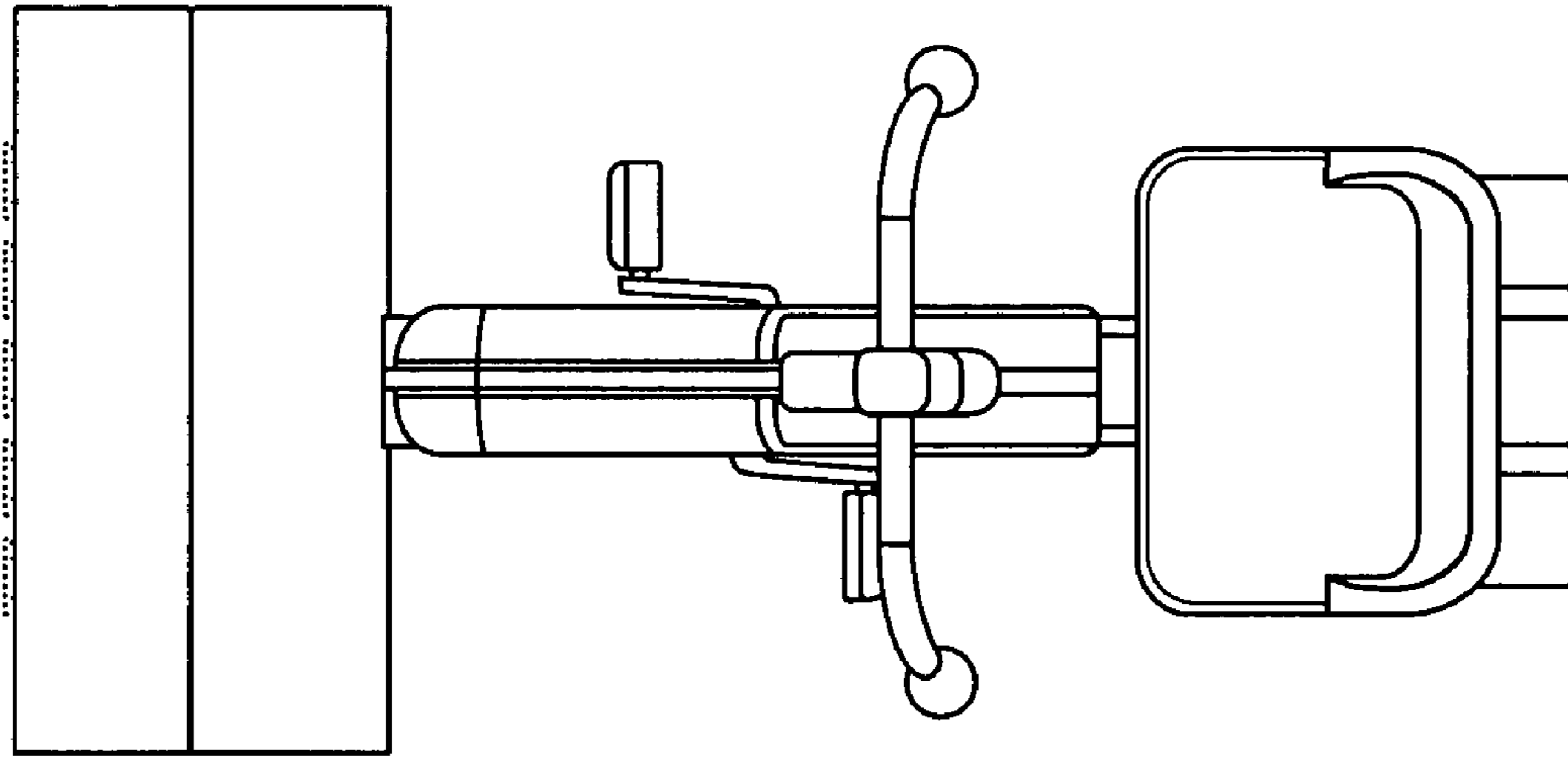


Fig. 6

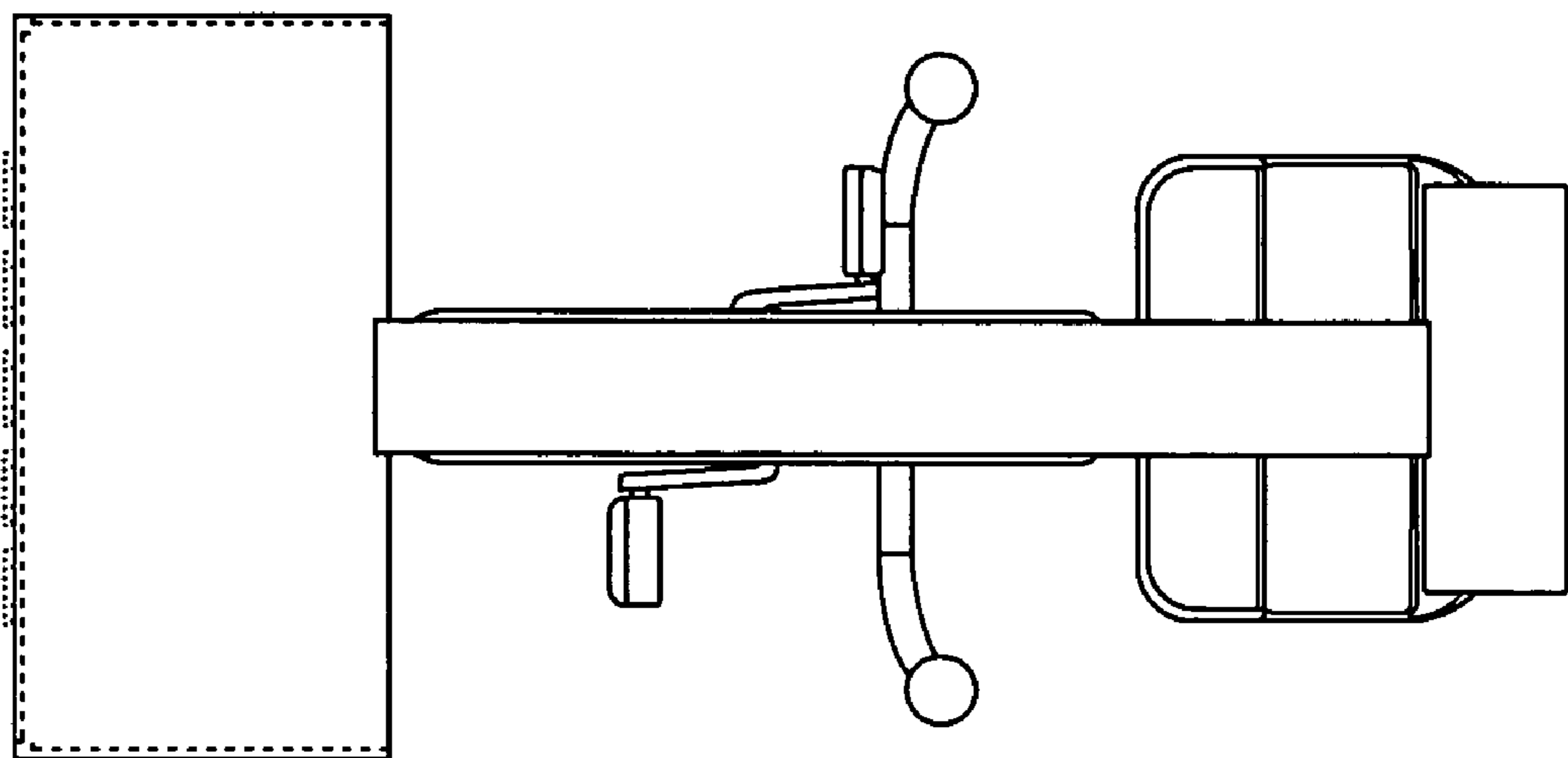


Fig. 7