

US00D597139S

(12) **United States Design Patent**  
**Labeledz et al.**

(10) **Patent No.:** **US D597,139 S**  
(45) **Date of Patent:** **\*\* Jul. 28, 2009**

(54) **INTERACTIVE GAME KIOSK WITH SKATEBOARD**

(75) Inventors: **Lawrence Labeledz**, Naperville, IL (US);  
**William Carter**, Dyer, IN (US);  
**Patricia Venetucci**, Hawthorn Woods, IL (US)

(73) Assignee: **Keyser Interactive, LLC**, Evergreen Park, IL (US)

(\*\*) Term: **14 Years**

(21) Appl. No.: **29/312,024**

(22) Filed: **Sep. 26, 2008**

(51) **LOC (9) Cl.** ..... **21-01**

(52) **U.S. Cl.** ..... **D21/325**

(58) **Field of Classification Search** ..... D21/324–326,  
D21/328, 333, 760–765; 273/148 B, 440,  
273/441, 445, 449, 450, 460, 451; 463/1,  
463/6, 7, 30–32, 36, 47; 482/1–9, 51, 54,  
482/70–74, 900–902; 345/161–163; 700/20,  
700/91, 92

See application file for complete search history.

(56) **References Cited**

U.S. PATENT DOCUMENTS

3,408,067	A *	10/1968	Armstrong	.....	482/30
4,827,950	A *	5/1989	Banerjee et al.	.....	131/335
4,869,496	A *	9/1989	Colombo	.....	482/71
5,277,678	A *	1/1994	Friedebach et al.	.....	482/70
5,713,794	A *	2/1998	Shimajima et al.	.....	463/36
D411,258	S *	6/1999	Isetani et al.	.....	D21/328
6,022,272	A	2/2000	Sano		
D435,868	S *	1/2001	Muraki et al.	.....	D21/325
D436,632	S *	1/2001	Muraki et al.	.....	D21/325

6,368,217	B2	4/2002	Kanno et al.		
D465,243	S *	11/2002	Isetani et al.	.....	D21/325
6,739,974	B2	5/2004	Kanno et al.		
6,891,534	B2	5/2005	Futamura et al.		
D514,627	S *	2/2006	Merril et al.	.....	D21/324
D527,054	S *	8/2006	Brase et al.	.....	D21/326
D569,442	S *	5/2008	Sato et al.	.....	D21/325
D588,225	S *	3/2009	Giannatos	.....	D21/761
2007/0184940	A1	8/2007	Tomes		

OTHER PUBLICATIONS

U.S. Appl. No. 29/312,046, Labeledz et al.  
U.S. Appl. No. 29/312,045, Labeledz et al.

\* cited by examiner

*Primary Examiner*—Prabhakar Deshmukh  
(74) *Attorney, Agent, or Firm*—Ryndak & Suri LLP

(57) **CLAIM**

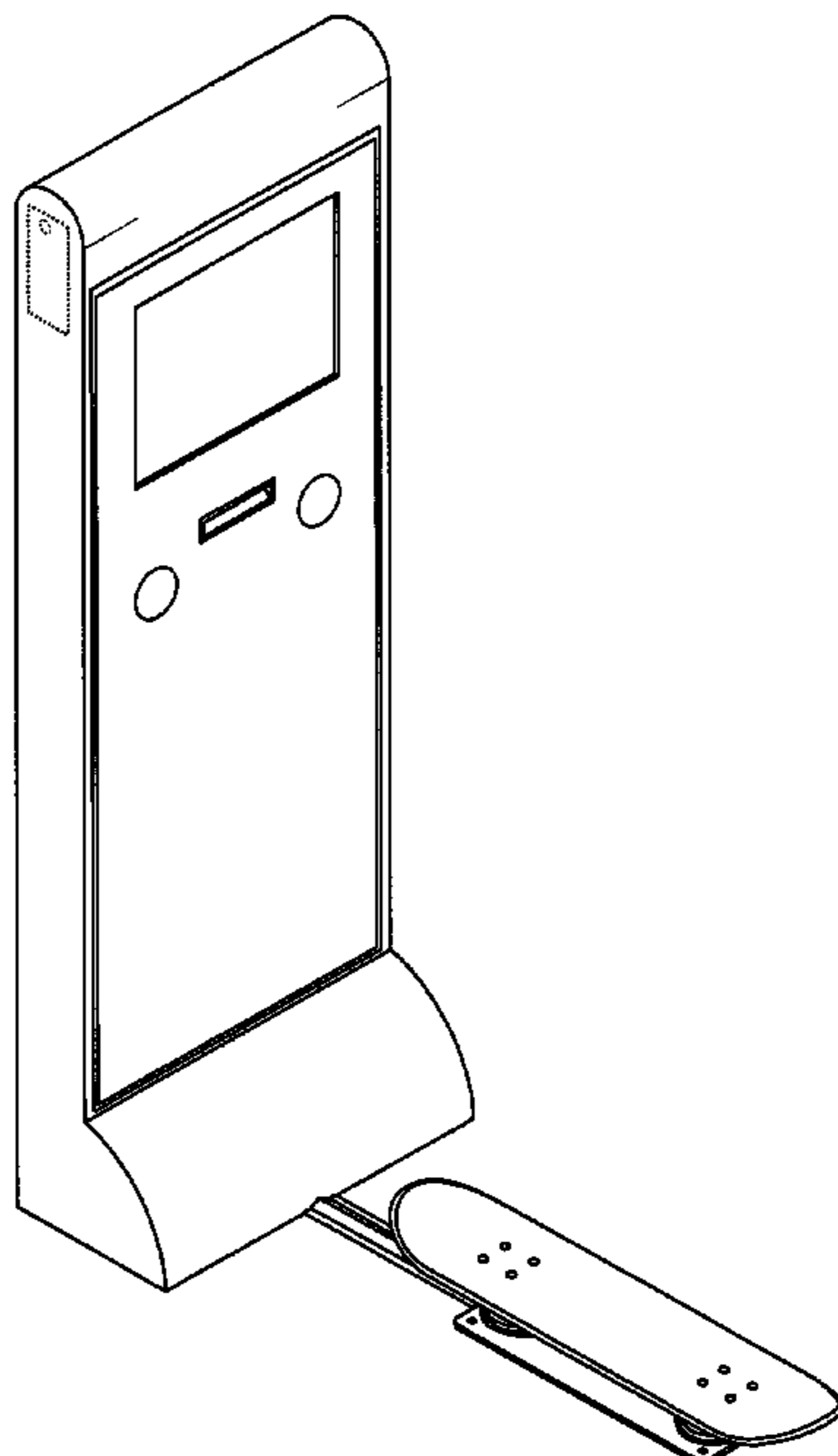
The ornamental design for an interactive game kiosk with skateboard, as shown and described.

**DESCRIPTION**

FIG. 1 is a perspective view of an interactive game kiosk with skateboard showing our new design;  
FIG. 2 is a front elevational view thereof;  
FIG. 3 is rear elevational view thereof;  
FIG. 4 is a right side elevational view thereof;  
FIG. 5 is a left side elevational view thereof;  
FIG. 6 is a top plan view thereof; and,  
FIG. 7 is a bottom plan view thereof.

The broken lines are for illustrative purpose only and form no part of the claimed design.

**1 Claim, 4 Drawing Sheets**



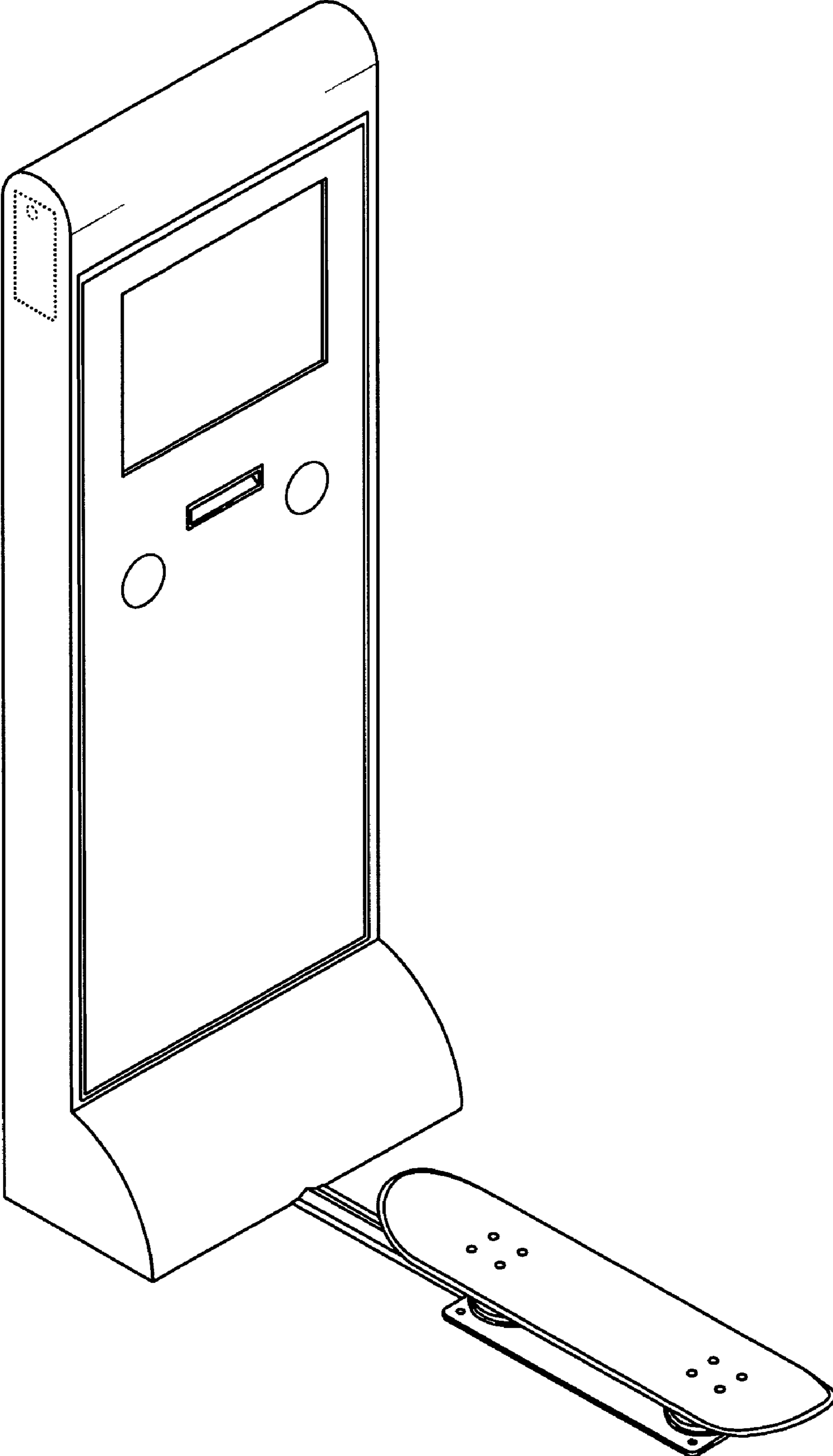


Fig. 1

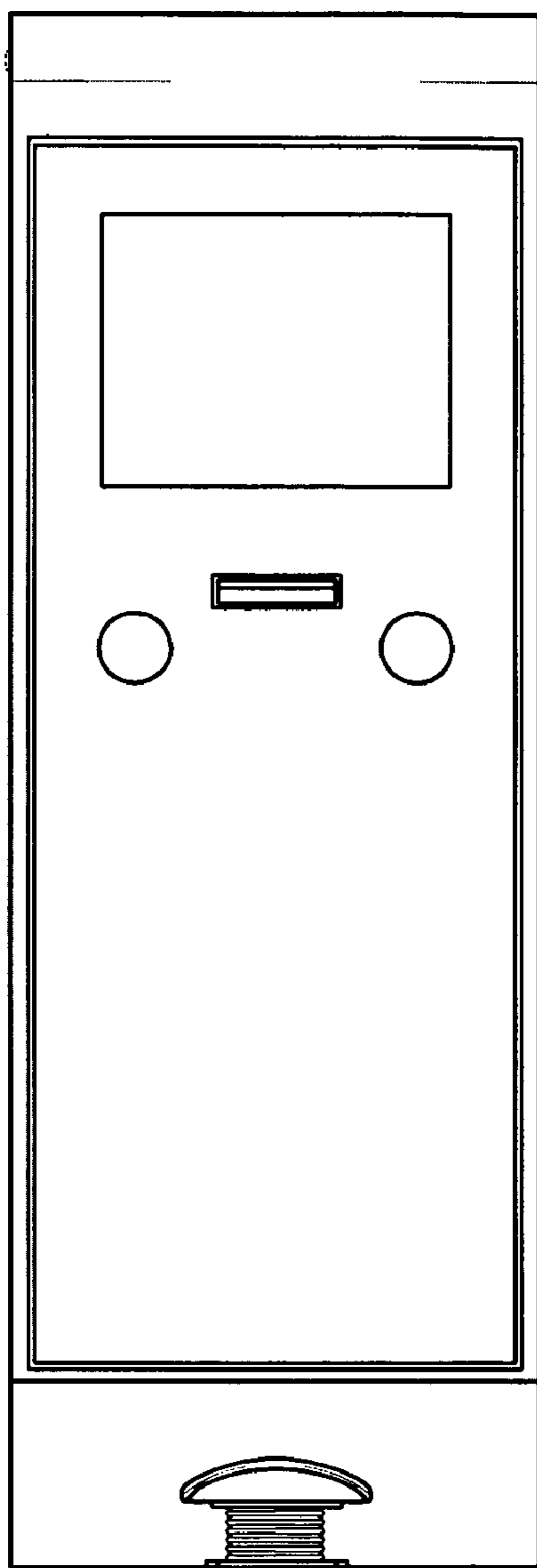


Fig. 2

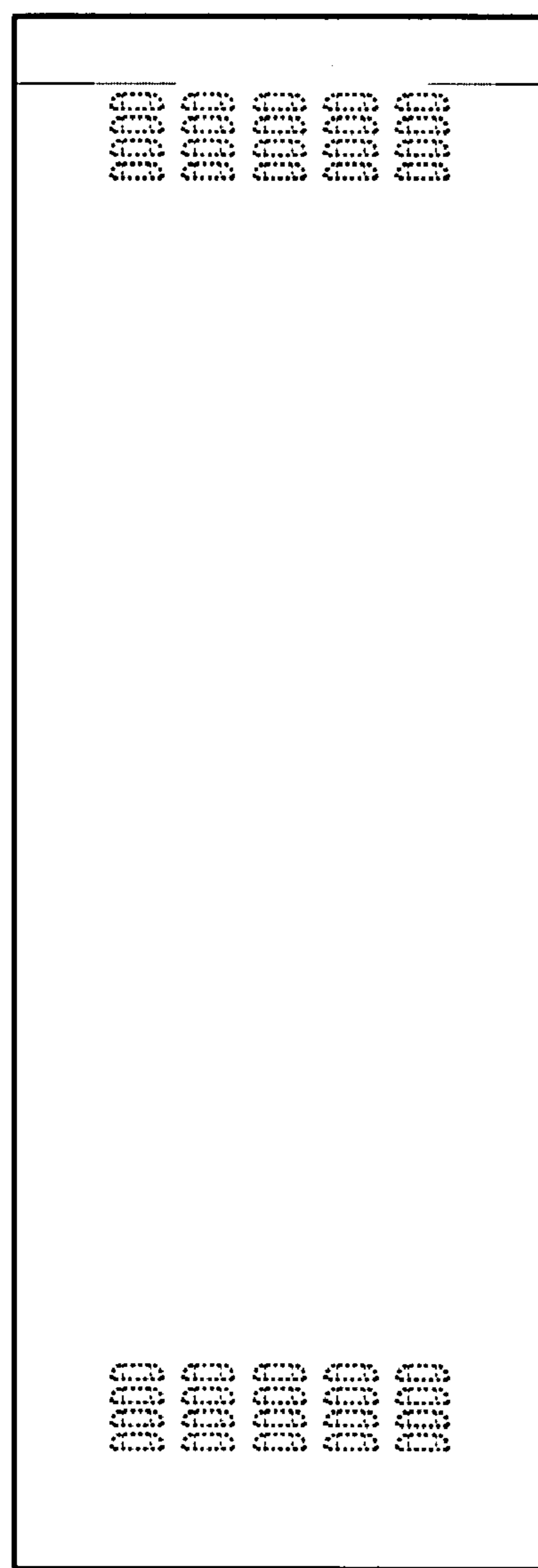


Fig. 3

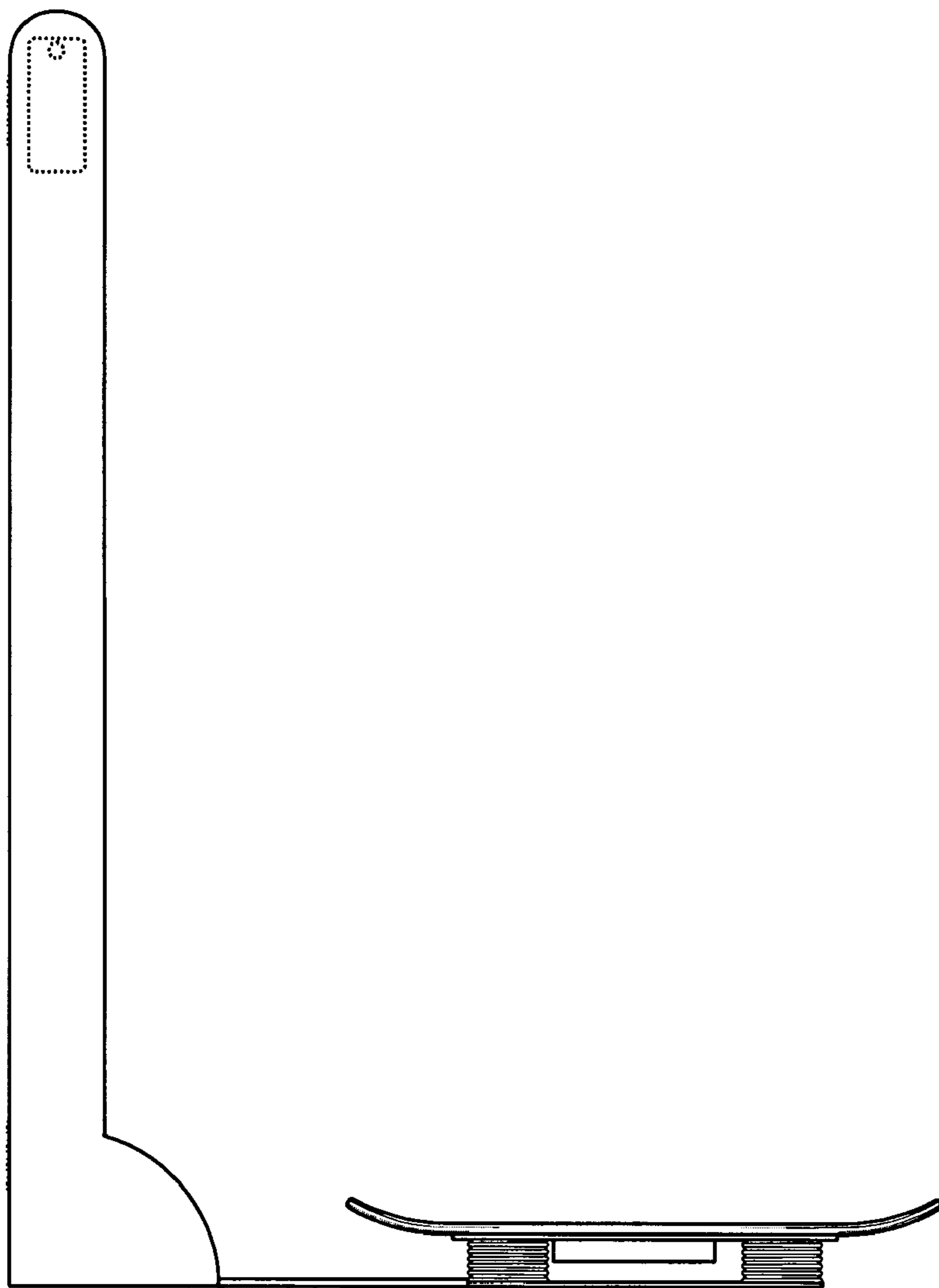


Fig. 4

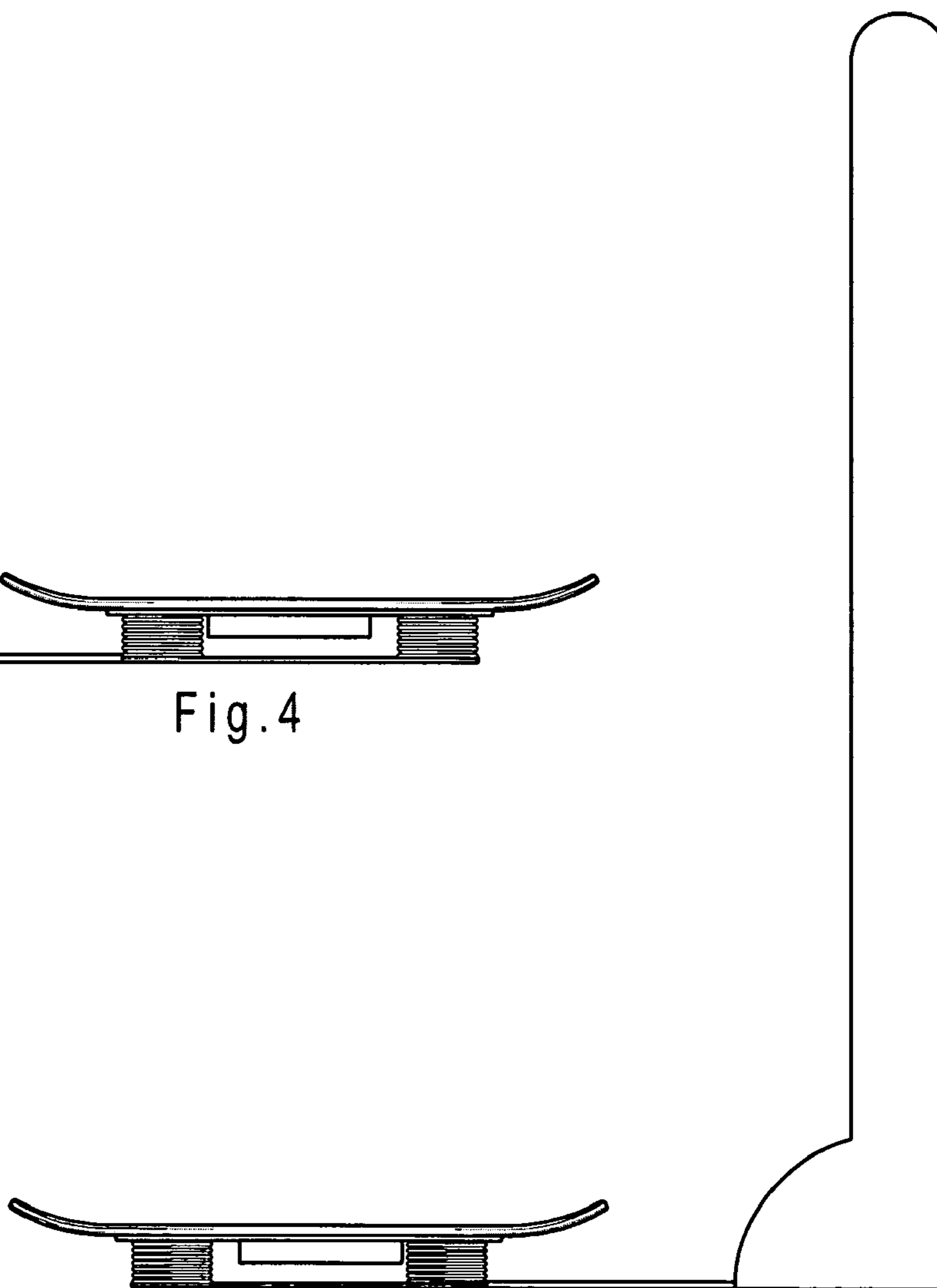


Fig. 5

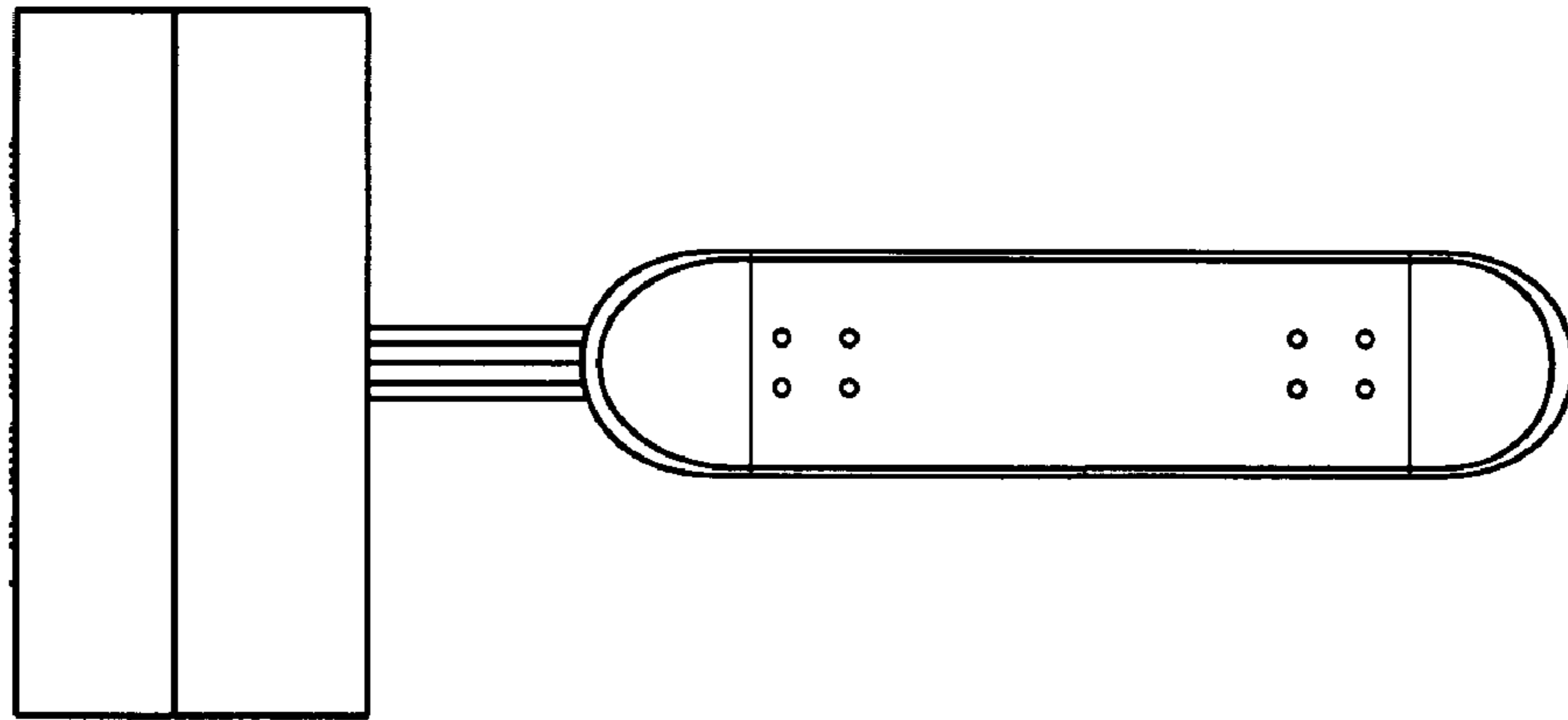


Fig. 6

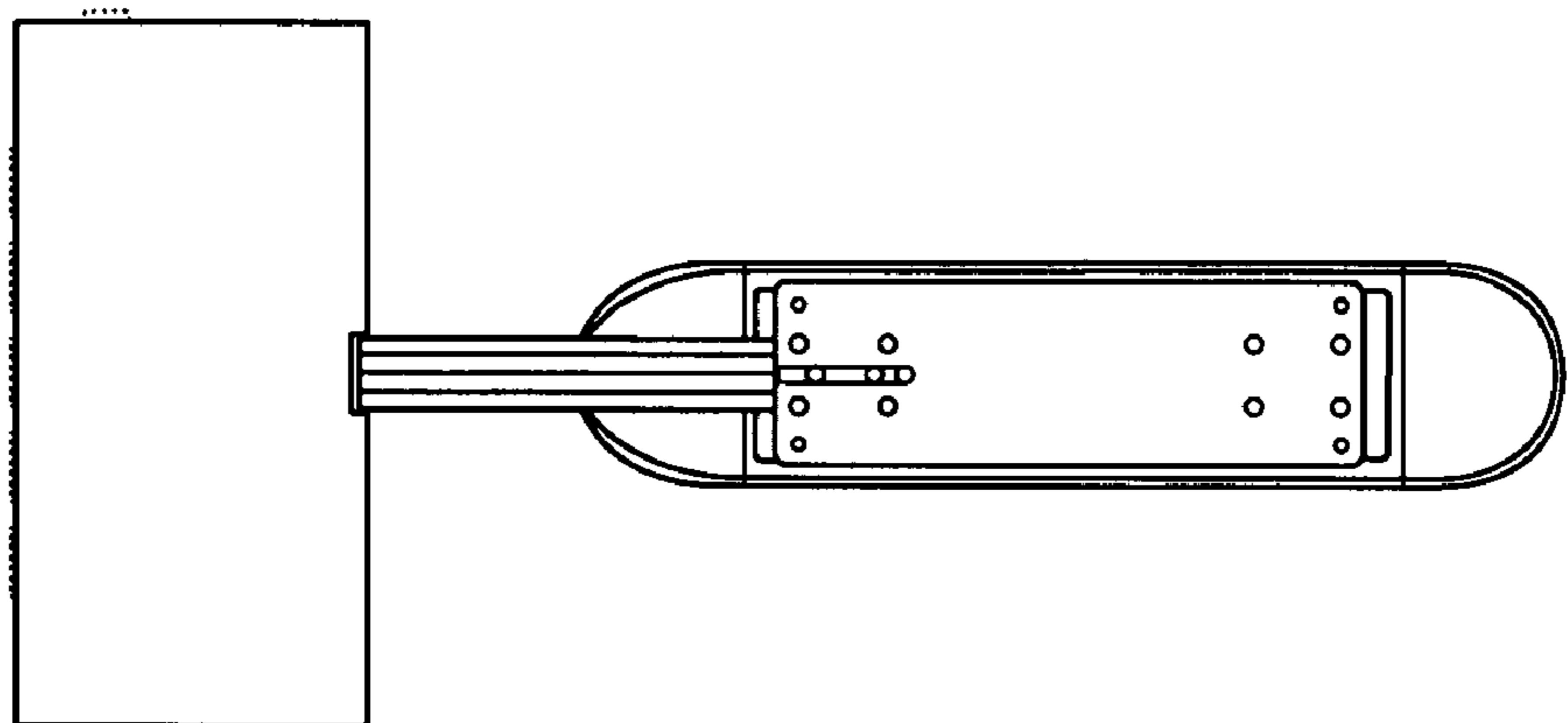


Fig. 7