

US00D597138S

(12) **United States Design Patent**
Herndon, III et al.

(10) **Patent No.:** **US D597,138 S**
(45) **Date of Patent:** **** Jul. 28, 2009**

(54) **RETAIL TICKET-VENDING TERMINAL**

(75) Inventors: **George Burbank Herndon, III**, Alpharetta, GA (US); **William Behm**, Roswell, GA (US); **Anthony Bartolone**, Cumming, GA (US); **James Jonathan Holbrook**, Cumming, GA (US); **Travis Baldwin**, Houston, TX (US); **Thomas Tomasevic**, North Bend, WA (US); **John James Whitaker**, Stuttgart (DE); **Christoph Schindler**, Bad Feilnbach (DE)

(73) Assignee: **Scientific Games International, Inc.**, Newark, DE (US)

(**) Term: **14 Years**

(21) Appl. No.: **29/269,569**

(22) Filed: **Dec. 1, 2006**

(51) **LOC (9) Cl.** **20-01**

(52) **U.S. Cl.** **D20/2; D18/4.4**

(58) **Field of Classification Search** D20/1-9, D20/99; 221/9, 17, 92, 95, 96, 206; D14/126, D14/371; D99/28, 34, 99; 235/381, 383, 235/462.43; 212/234, 234.1; 194/334, 350; 347/153

See application file for complete search history.

(56) **References Cited**

U.S. PATENT DOCUMENTS

| | | | |
|--------------|---------|-----------------------|-------|
| D233,061 S * | 10/1974 | Black et al. | D20/2 |
| 3,982,102 A | 9/1976 | Cidade | |
| 4,398,708 A | 8/1983 | Goldman et al. | |
| D276,538 S * | 11/1984 | Nishida | D20/2 |
| 4,494,197 A | 1/1985 | Troy et al. | |
| D289,183 S * | 4/1987 | MacNamara et al. | D20/2 |
| 4,665,502 A | 5/1987 | Kreisner | |
| 4,689,742 A | 8/1987 | Troy et al. | |
| 4,740,016 A | 4/1988 | Konecny et al. | |
| 4,835,624 A | 5/1989 | Black et al. | |
| 4,842,278 A | 6/1989 | Markowicz | |

| | | | |
|---------------|---------|------------------|---------|
| 4,922,522 A | 5/1990 | Scanlon | |
| 4,928,133 A * | 5/1990 | Fulton | 347/153 |
| 4,961,578 A | 10/1990 | Chateau | |
| 5,046,737 A | 9/1991 | Fienberg | |
| 5,092,598 A | 3/1992 | Kamille | |
| 5,112,050 A | 5/1992 | Koza et al. | |
| 5,116,049 A | 5/1992 | Sludikoff et al. | |
| 5,119,295 A | 6/1992 | Kapur | |
| 5,129,652 A | 7/1992 | Wilkinson | |
| 5,158,293 A | 10/1992 | Mullins | |
| D330,983 S * | 11/1992 | De Moss | D6/515 |
| 5,186,463 A | 2/1993 | Marin et al. | |
| 5,249,801 A | 10/1993 | Jarvis | |
| 5,282,620 A | 2/1994 | Keesee | |

(Continued)

FOREIGN PATENT DOCUMENTS

| | | |
|----|---------|---------|
| GB | 2075918 | 11/1981 |
|----|---------|---------|

(Continued)

Primary Examiner—Janice E Seeger
Assistant Examiner—Mary Ann Calabrese
(74) *Attorney, Agent, or Firm*—Dority & Manning, P.A.

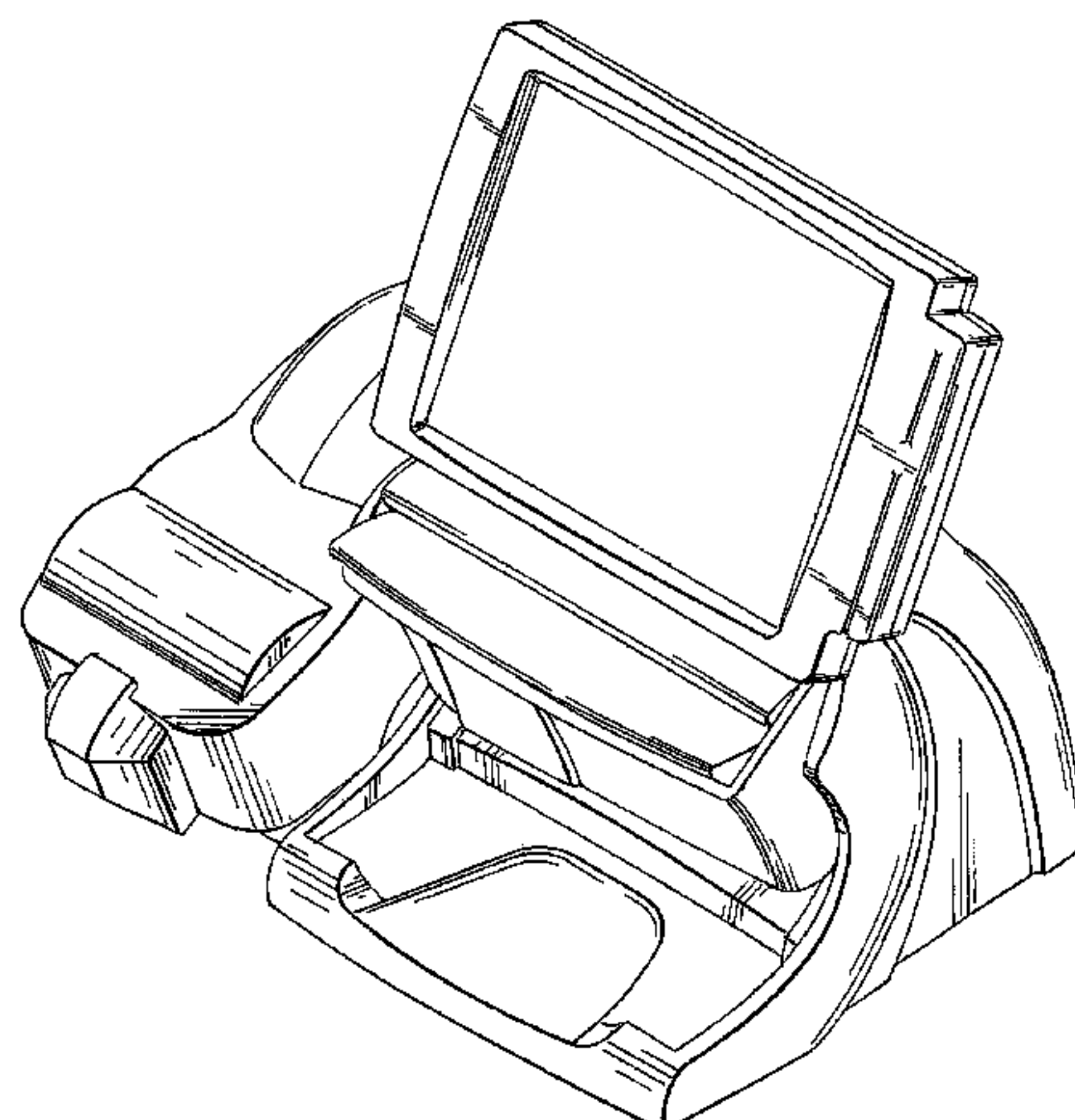
(57) **CLAIM**

The ornamental design for a retail ticket-vending terminal, as shown.

DESCRIPTION

FIG. 1 is a perspective view of the retail ticket-vending terminal;
FIG. 2 is a front view thereof;
FIG. 3 is a right side view thereof;
FIG. 4 is a left side view thereof;
FIG. 5 is a rear view thereof; and,
FIG. 6 is a top view thereof.

1 Claim, 6 Drawing Sheets



US D597,138 S

Page 2

U.S. PATENT DOCUMENTS

5,380,007 A 1/1995 Travis et al.
5,472,196 A 12/1995 Rusnak
5,499,816 A 3/1996 Levy
5,518,239 A 5/1996 Johnston
5,613,679 A 3/1997 Casa et al.
5,682,819 A 11/1997 Beaty
5,704,647 A 1/1998 Desbiens
5,772,510 A 6/1998 Roberts
5,772,511 A 6/1998 Smeltzer
5,791,990 A 8/1998 Schroeder et al.
5,887,906 A 3/1999 Sultan
5,915,588 A 6/1999 Stoken et al.
6,017,032 A 1/2000 Grippo et al.
6,024,641 A 2/2000 Sarno
6,062,477 A * 5/2000 Wike et al. 235/462.43
6,080,062 A 6/2000 Olson
6,089,978 A 7/2000 Adams
6,146,272 A 11/2000 Walker et al.
6,155,491 A 12/2000 Dueker et al.
6,168,521 B1 1/2001 Luciano et al.
6,220,961 B1 4/2001 Keane et al.
6,224,055 B1 5/2001 Walker et al.
6,241,246 B1 6/2001 Guttin et al.
6,273,817 B1 8/2001 Sultan
6,379,742 B1 4/2002 Behm et al.
6,497,408 B1 12/2002 Walker et al.

6,648,755 B1 11/2003 Luciano et al.
6,676,126 B1 1/2004 Walker et al.
6,685,562 B1 2/2004 Rantanen
6,773,345 B2 8/2004 Walker et al.
6,875,105 B1 4/2005 Behm et al.
6,889,978 B2 5/2005 Schaefer et al.
6,969,318 B1 11/2005 Packes, Jr. et al.
2001/0044336 A1 11/2001 Reiss et al.
2002/0022511 A1 2/2002 Eklund et al.
2002/0037766 A1 3/2002 Muniz
2002/0119817 A1 8/2002 Behm et al.
2003/0050109 A1 3/2003 Caro et al.
2003/0114210 A1 6/2003 Meyer et al.
2003/0224854 A1 12/2003 Joao
2004/0056416 A1 3/2004 Bennett
2004/0173965 A1 9/2004 Stanek
2004/0204222 A1 10/2004 Roberts
2004/0266514 A1 12/2004 Penrice
2005/0003884 A1 1/2005 Meyer et al.
2006/0252488 A1 11/2006 Lalonde et al.
2007/0068768 A1 * 3/2007 Yang 194/334

FOREIGN PATENT DOCUMENTS

WO WO9926204 5/1999
WO WO0174460 10/2001

* cited by examiner

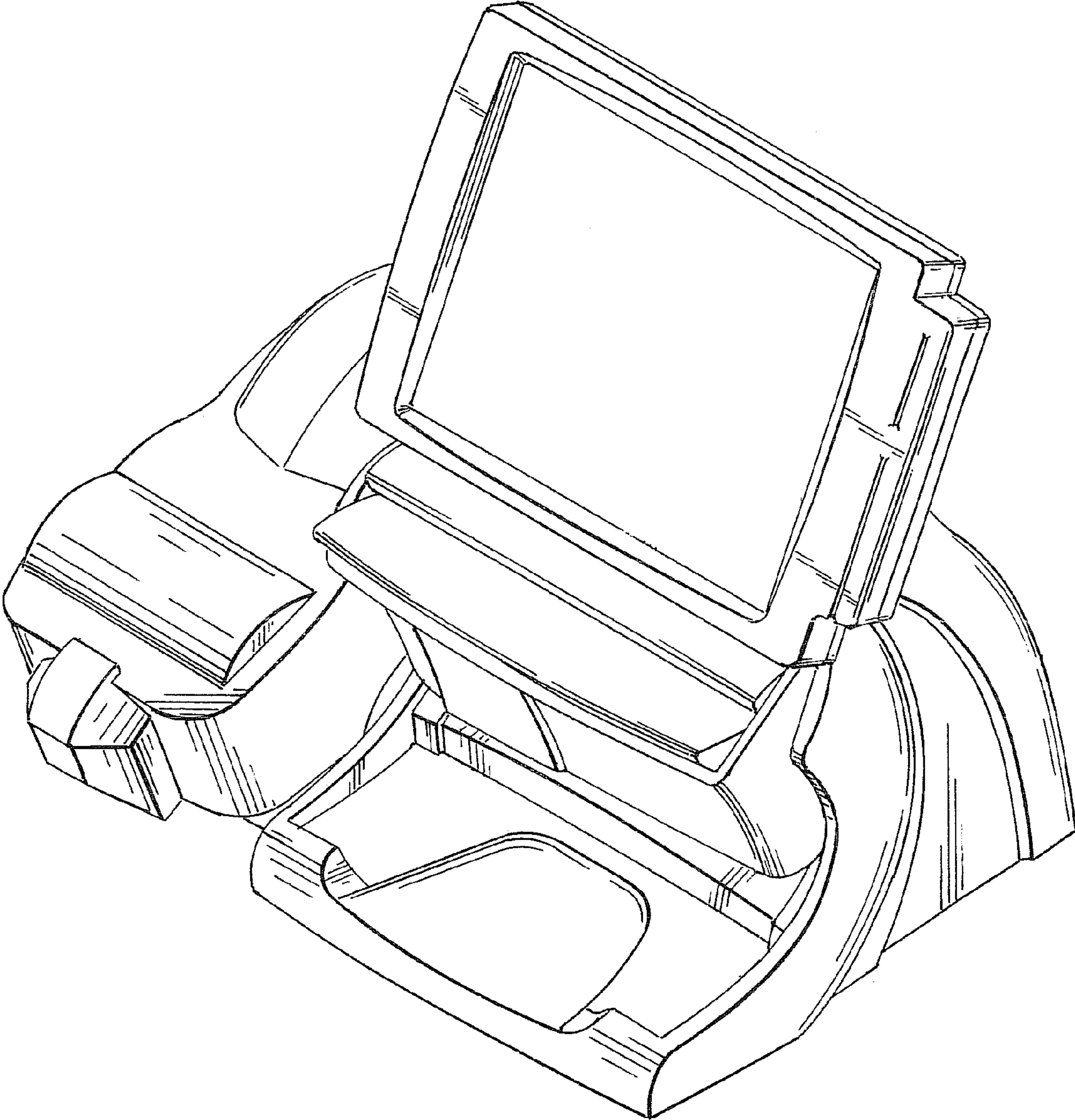


Fig.1

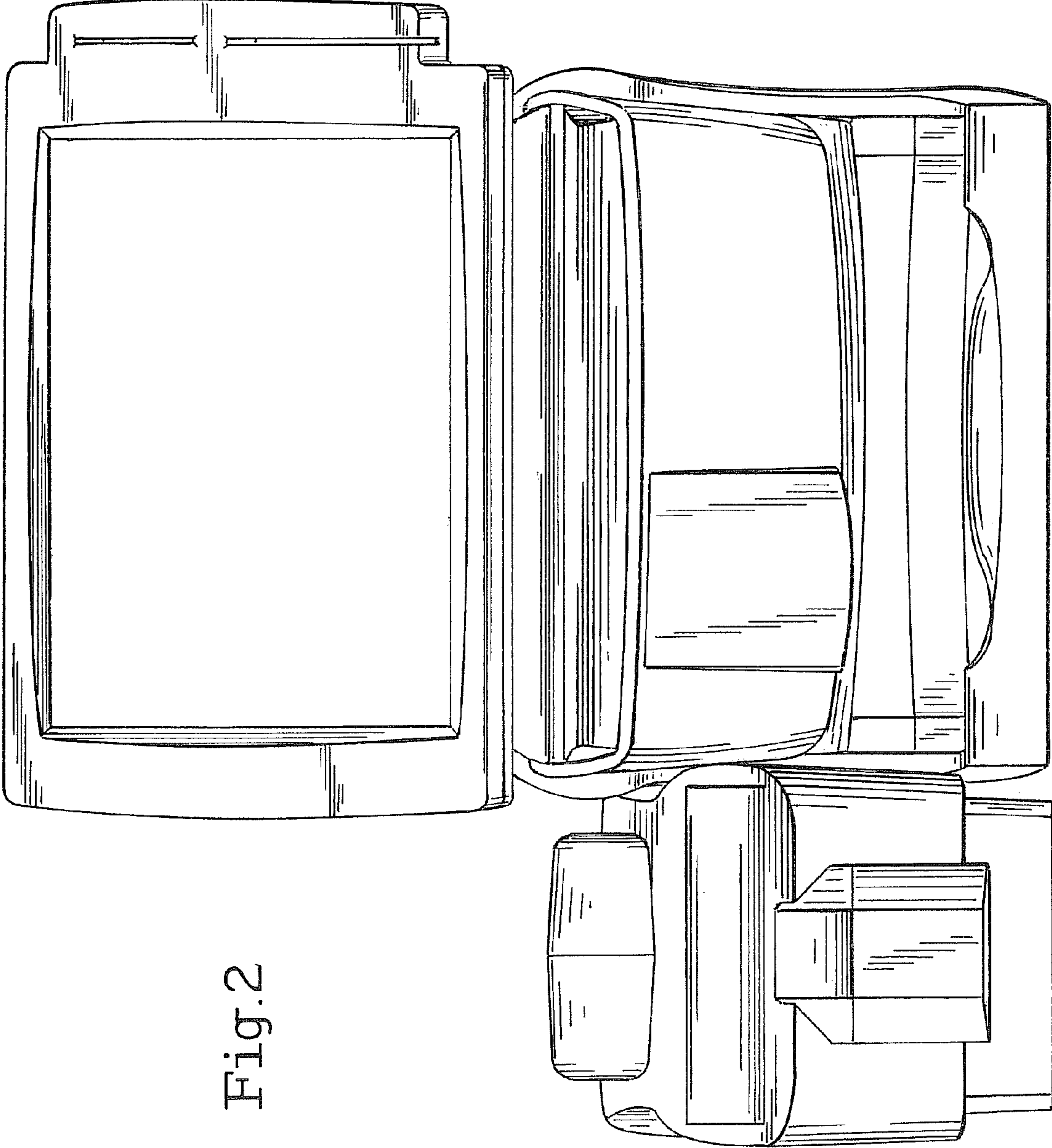


Fig.2

Fig. 3

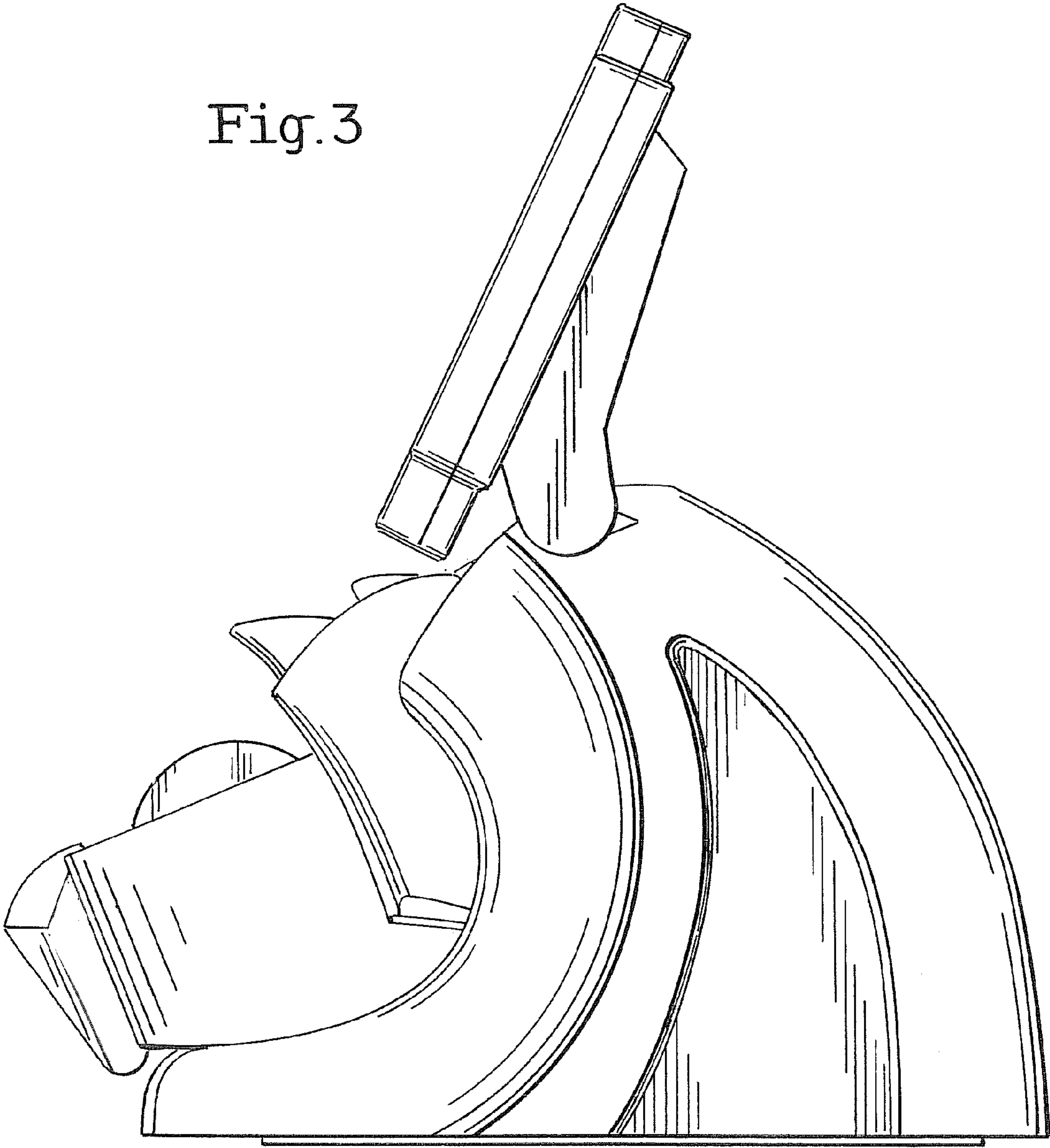


Fig. 4

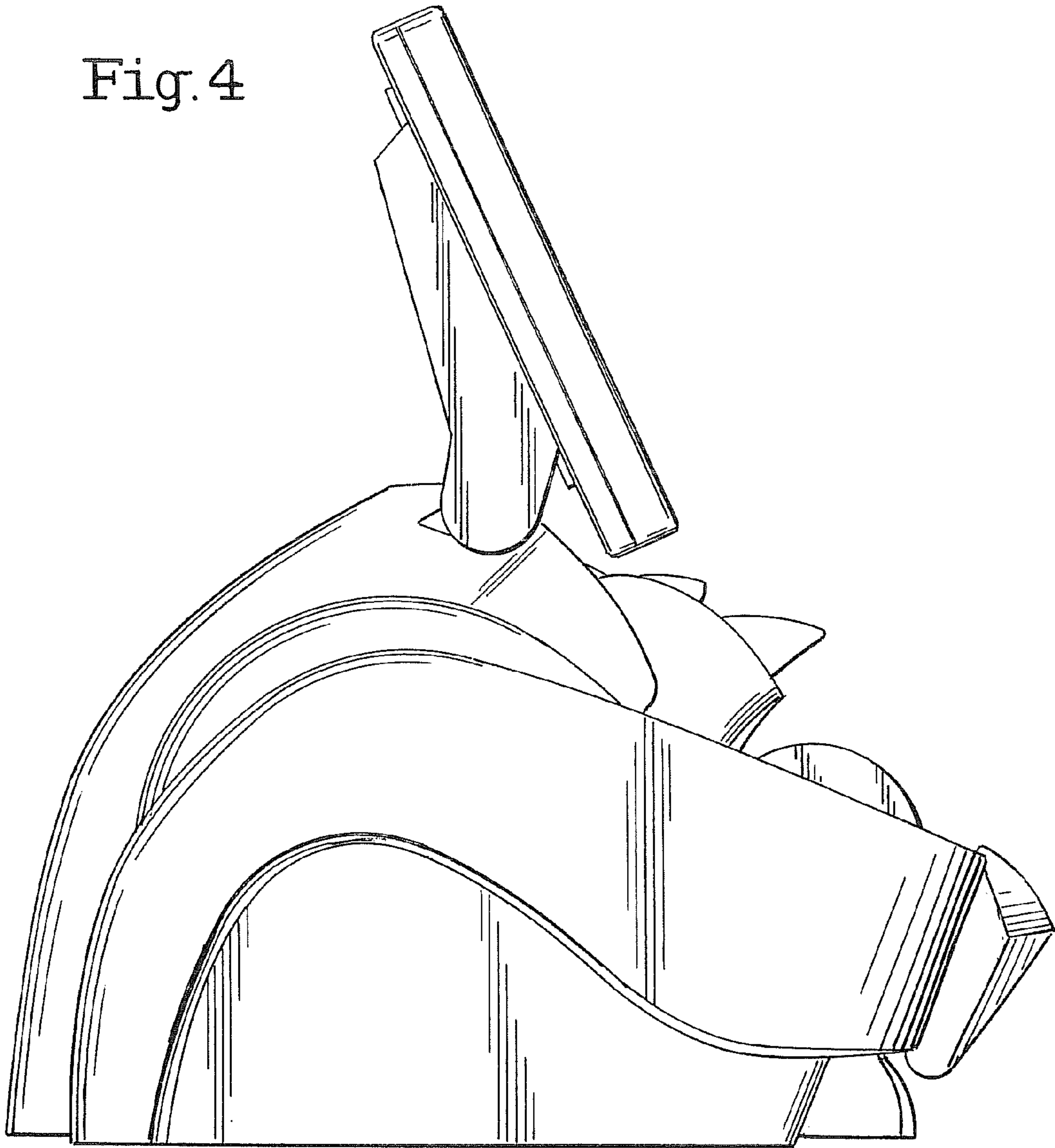


Fig. 5

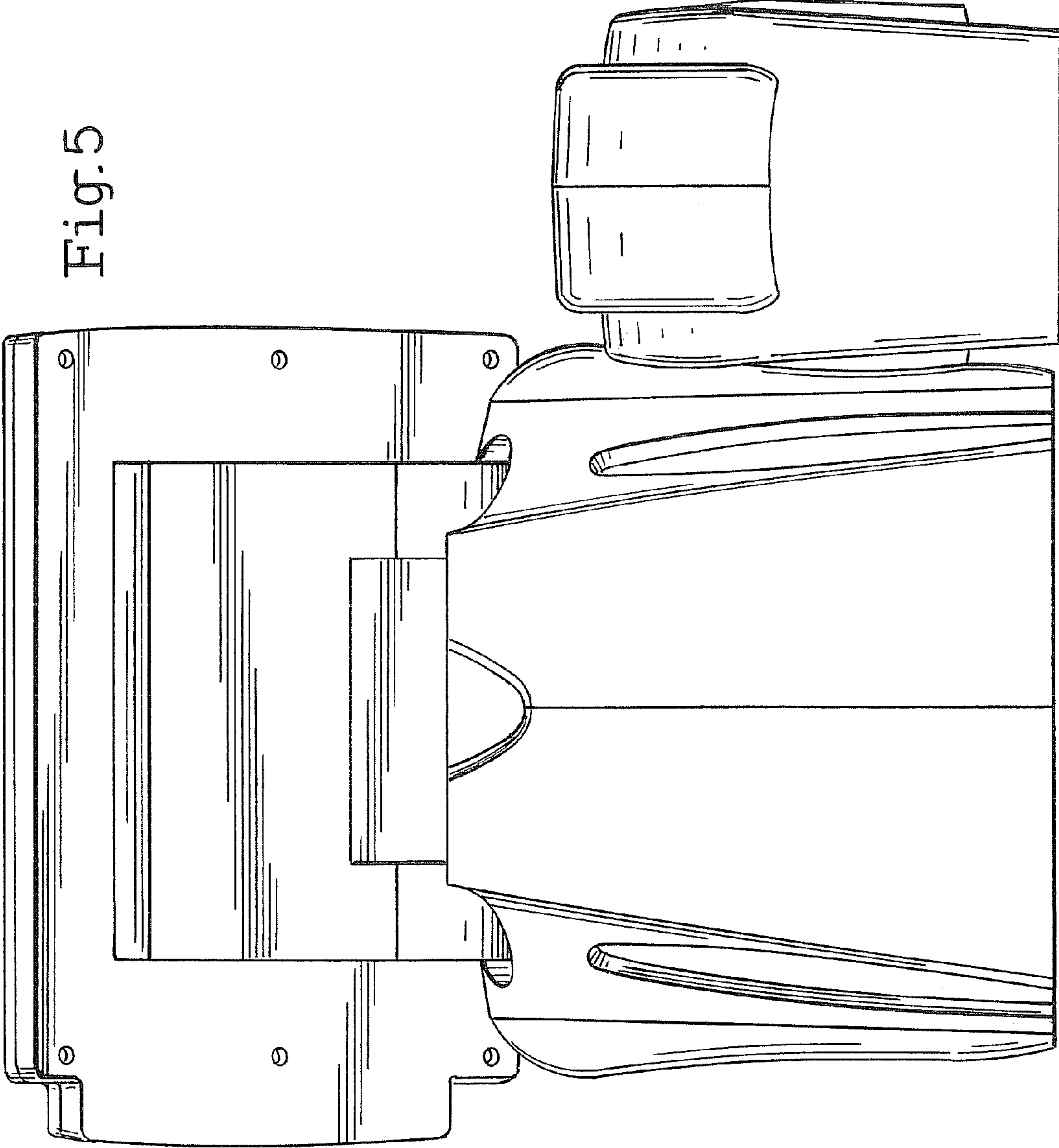


Fig.6

