



US00D597131S

(12) **United States Design Patent**
Yamano et al.

(10) **Patent No.:** **US D597,131 S**
(45) **Date of Patent:** **** Jul. 28, 2009**

(54) **PRINTER**

(75) Inventors: **Hirokazu Yamano**, Chino (JP); **Tomoko Yagi**, Shiojiri (JP)

(73) Assignee: **Seiko Epson Corporation** (JP)

(**) Term: **14 Years**

(21) Appl. No.: **29/293,519**

(22) Filed: **Nov. 29, 2007**

(30) **Foreign Application Priority Data**

Jul. 13, 2007 (JP) 2007-019111

(51) **LOC (9) Cl.** **18-01**

(52) **U.S. Cl.** **D18/53**

(58) **Field of Classification Search** D18/34.1,
D18/34.2, 36-41, 46-19, 53, 35.1, 51; D14/302,
D14/305; 399/1-7, 16, 75, 81, 107, 130,
399/151, 361, 365, 367, 381-383, 388
See application file for complete search history.

(56) **References Cited**

U.S. PATENT DOCUMENTS

D212,050 S * 8/1968 Naderlof et al. D18/39
D332,623 S * 1/1993 Iwanaga D18/53
D347,239 S * 5/1994 Okamoto et al. D18/53
D400,917 S * 11/1998 Kajikawa et al. D18/53
D407,740 S * 4/1999 Ina et al. D18/53

D408,848 S * 4/1999 Flores et al. D18/53
D445,824 S * 7/2001 Yamano et al. D18/53
D450,755 S * 11/2001 Gimenez et al. D18/53
D458,963 S * 6/2002 Caamano et al. D18/53
D464,080 S * 10/2002 Yamano et al. D18/53
D529,545 S * 10/2006 Kimura et al. D18/53
D544,533 S * 6/2007 Moliner et al. D18/53
D561,823 S * 2/2008 Morillo et al. D18/53

* cited by examiner

Primary Examiner—Charles A Rademaker

Assistant Examiner—Charles D Hanson

(74) *Attorney, Agent, or Firm*—Harness, Dickey & Pierce,
P.L.C.

(57) **CLAIM**

The ornamental design for a printer, as shown and described.

DESCRIPTION

FIG. 1 is a perspective view of a printer embodying our new design;

FIG. 2 is a front view thereof;

FIG. 3 is a rear view thereof;

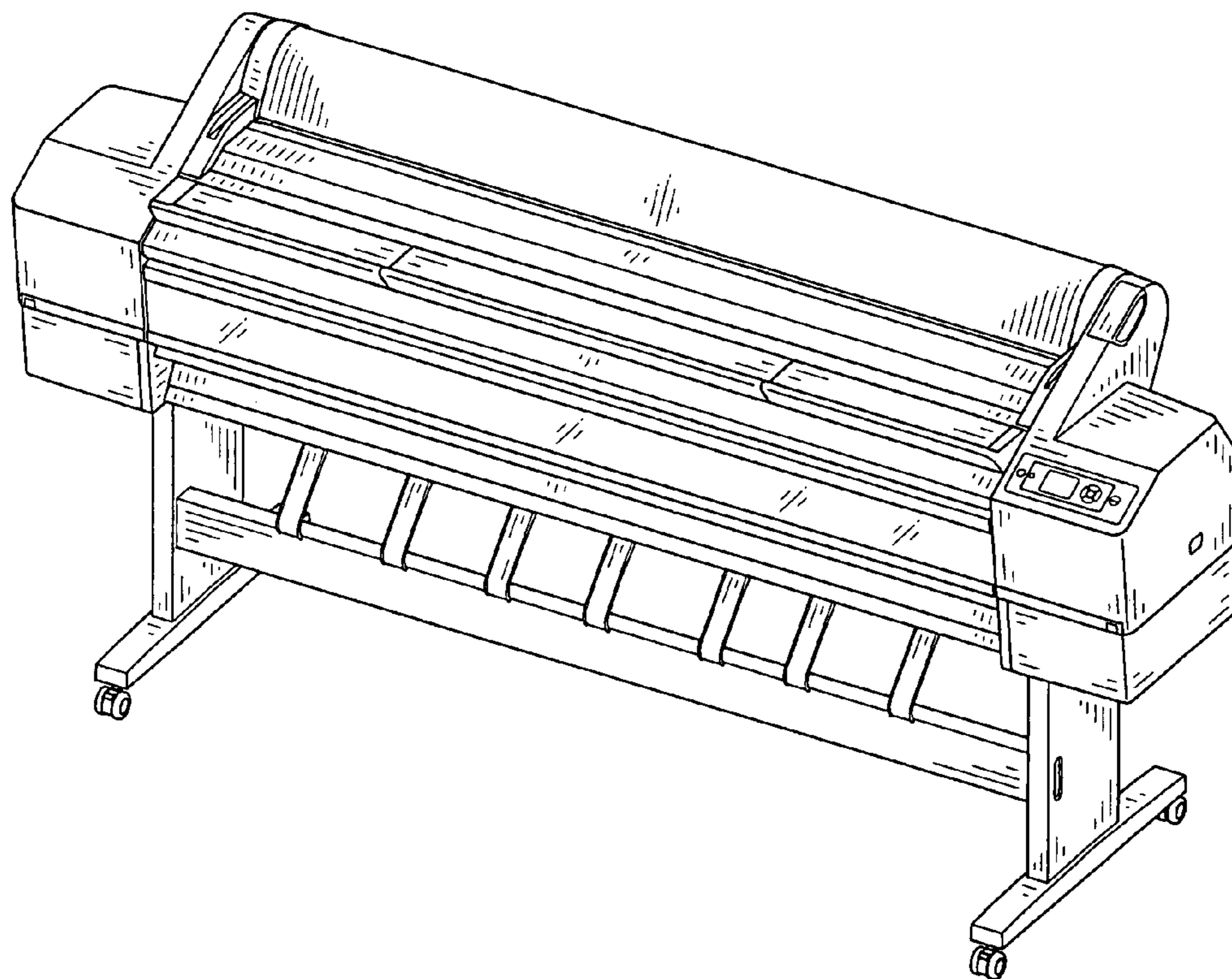
FIG. 4 is a left side view thereof;

FIG. 5 is a right side view thereof;

FIG. 6 is a top view thereof; and,

FIG. 7 is a bottom view thereof.

1 Claim, 4 Drawing Sheets



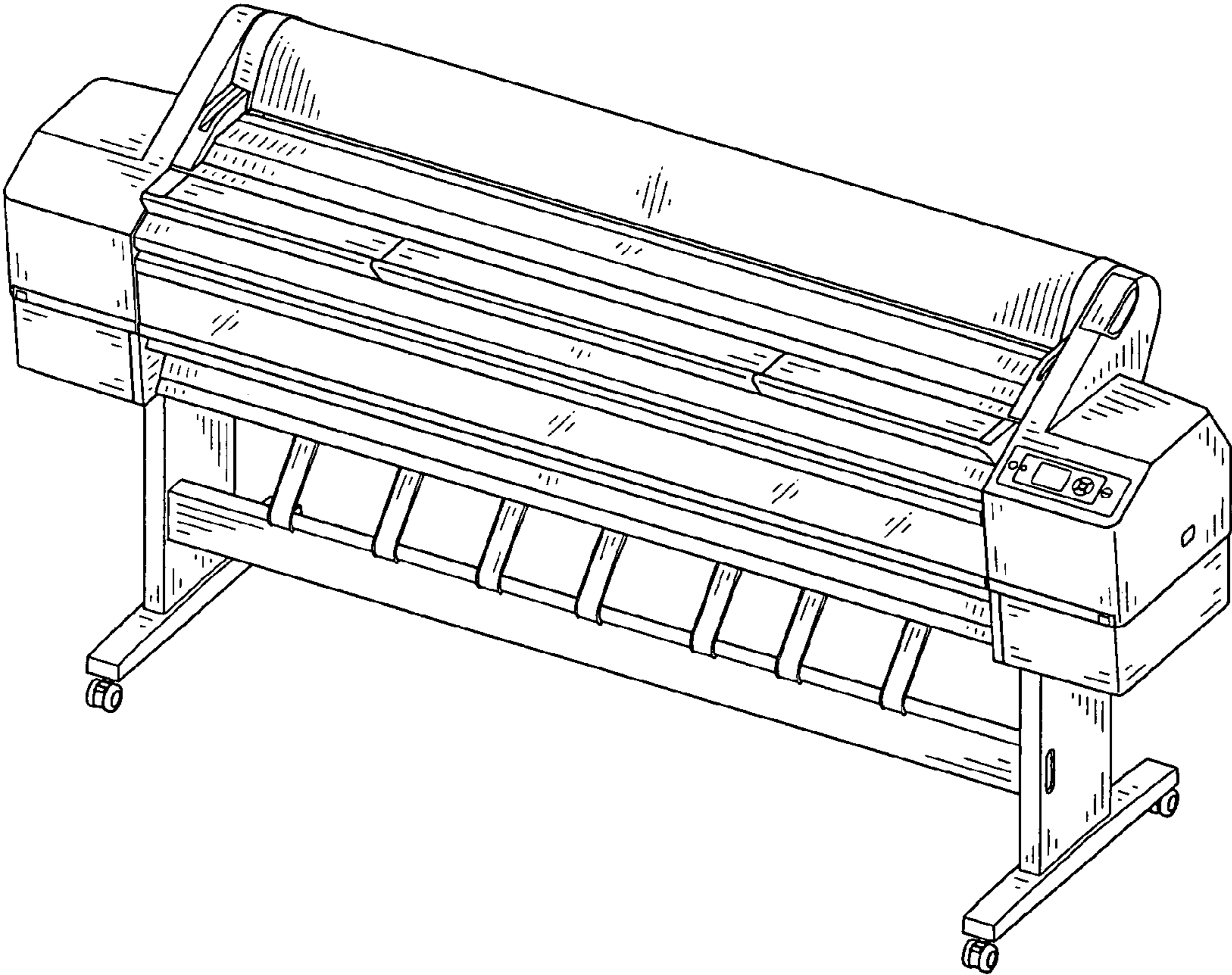


FIG. 1

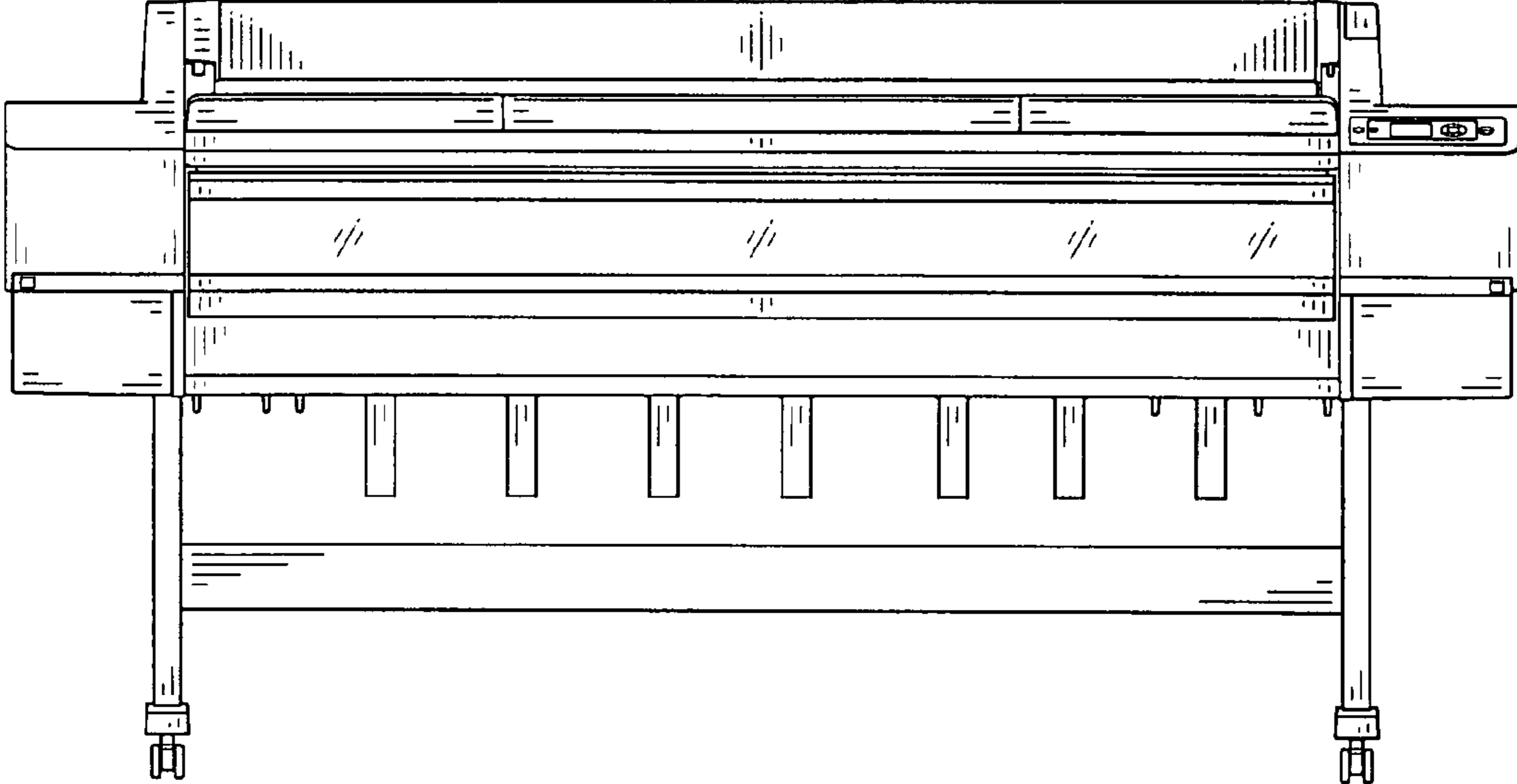


FIG. 2

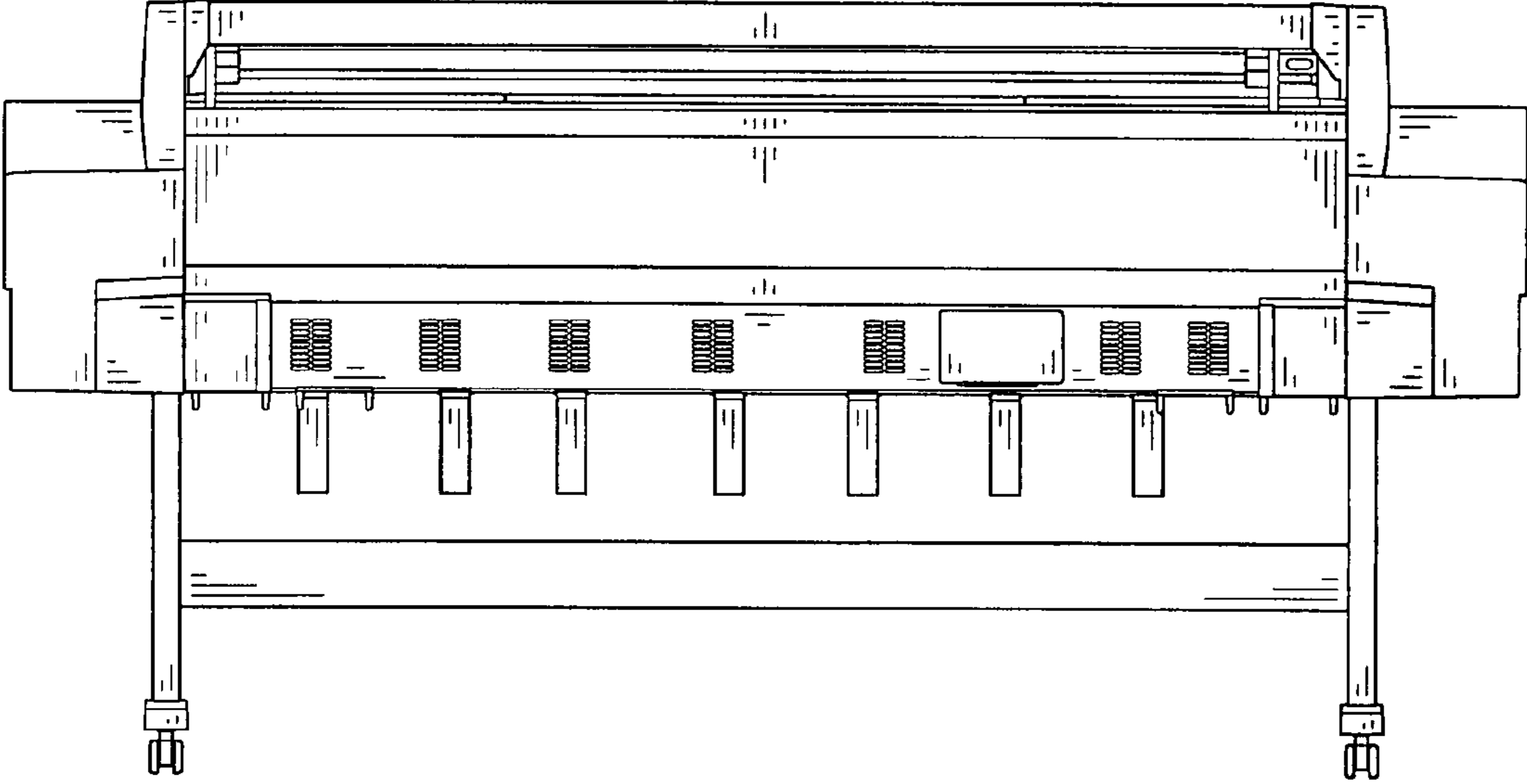


FIG. 3

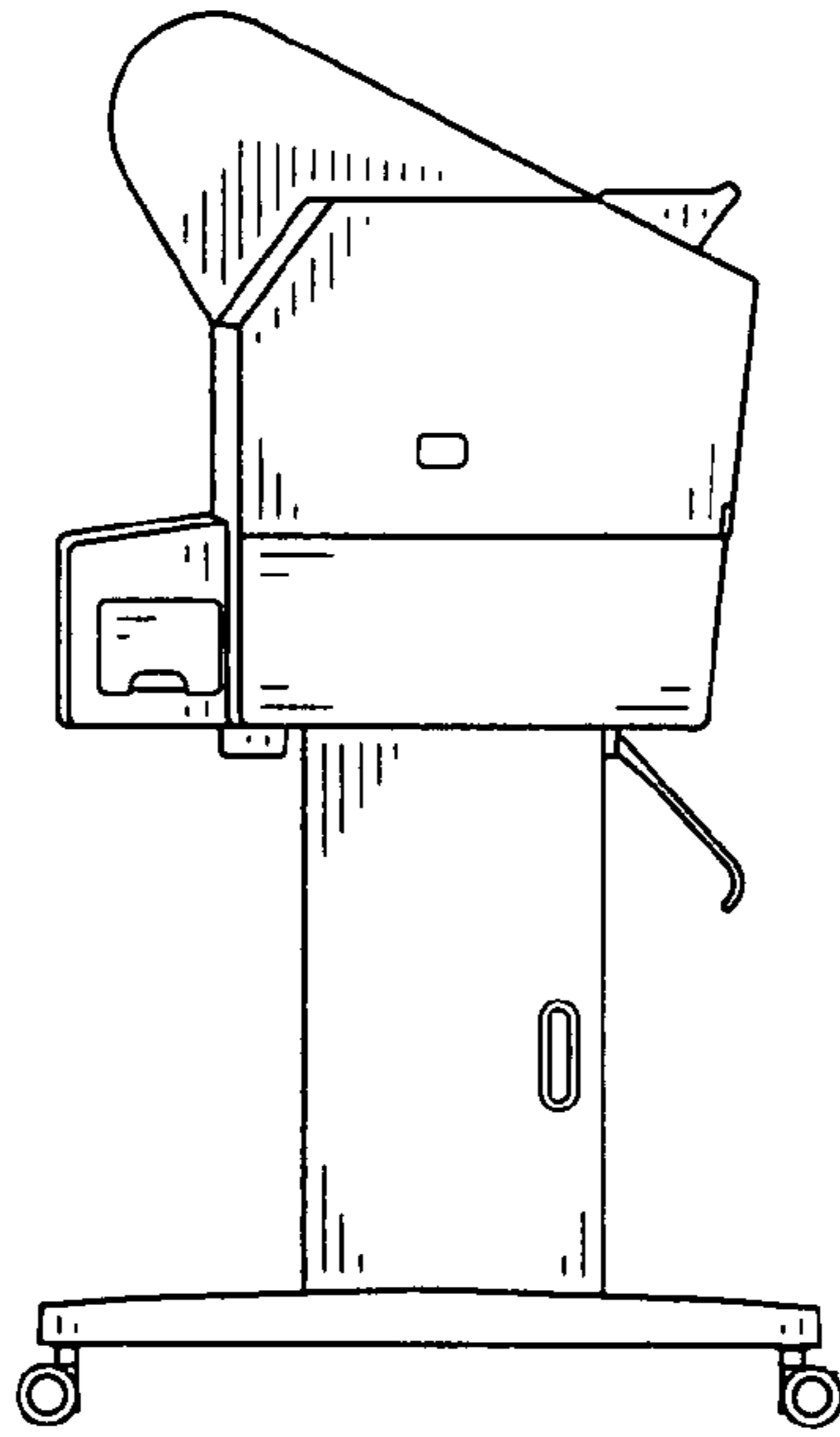


FIG. 4

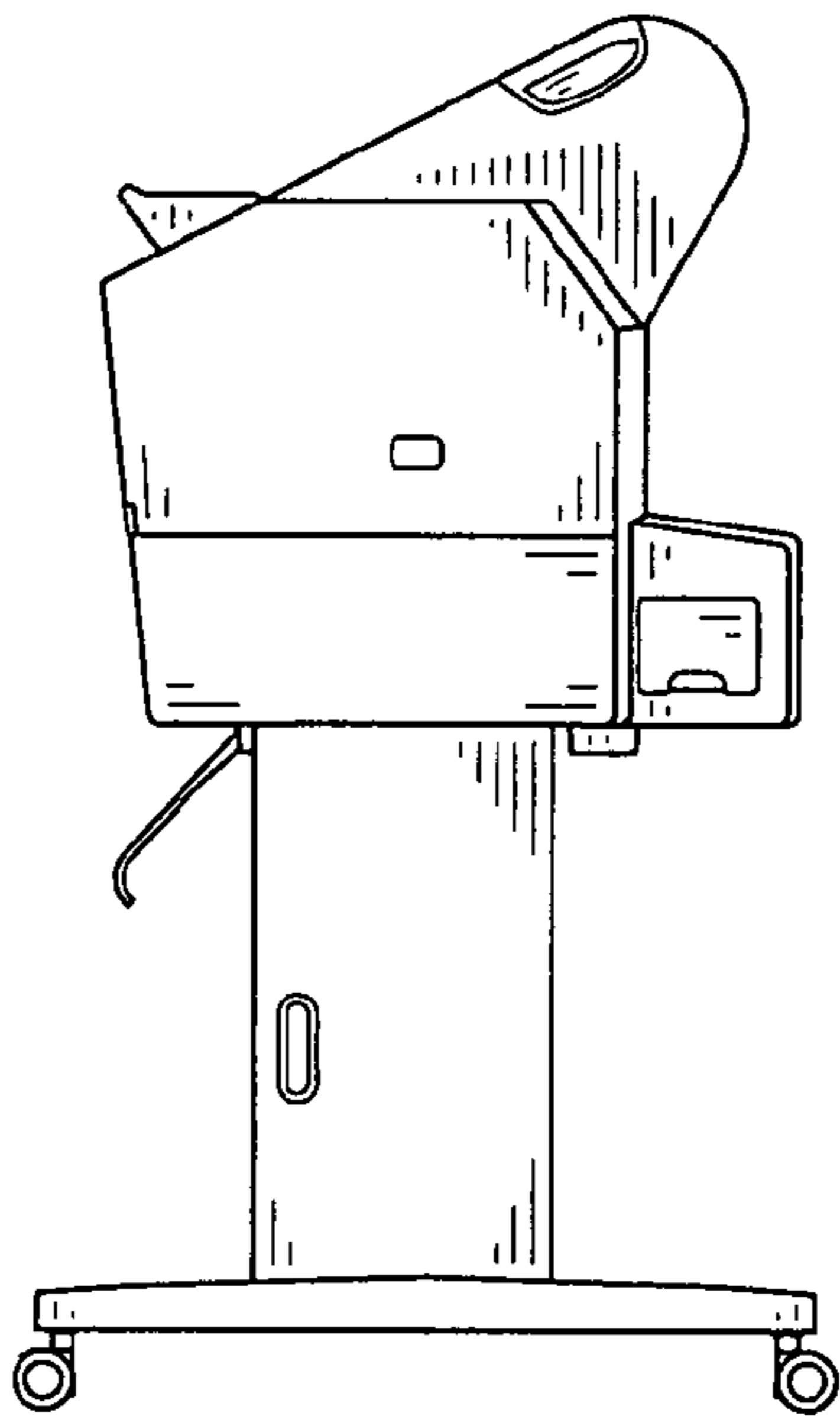


FIG. 5

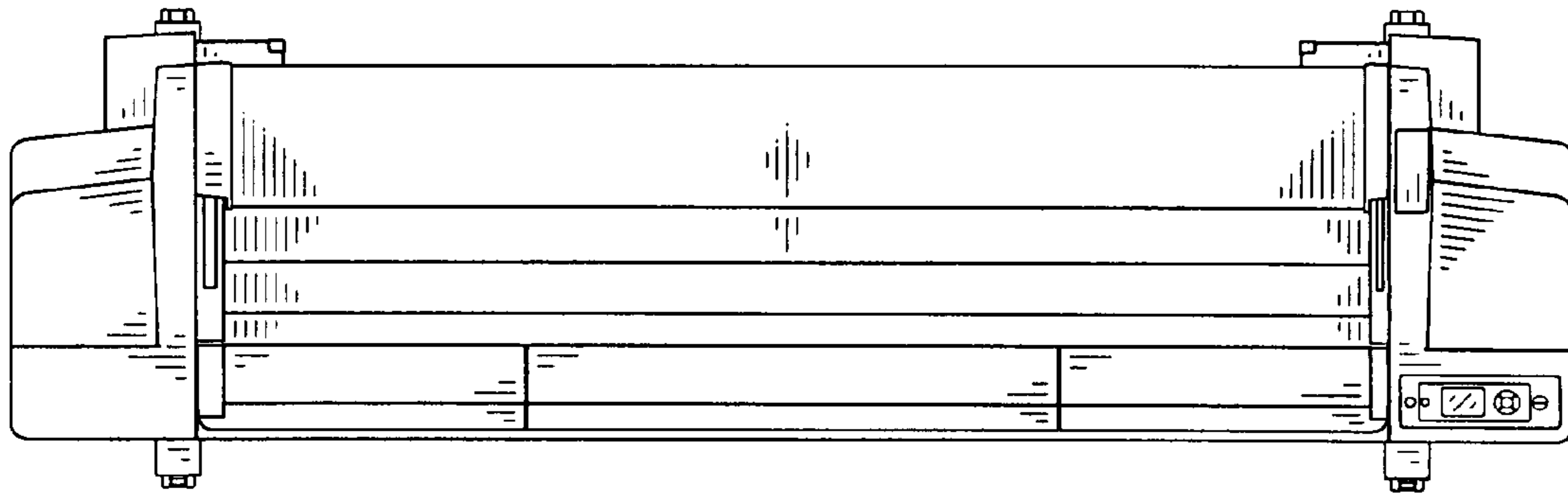


FIG. 6

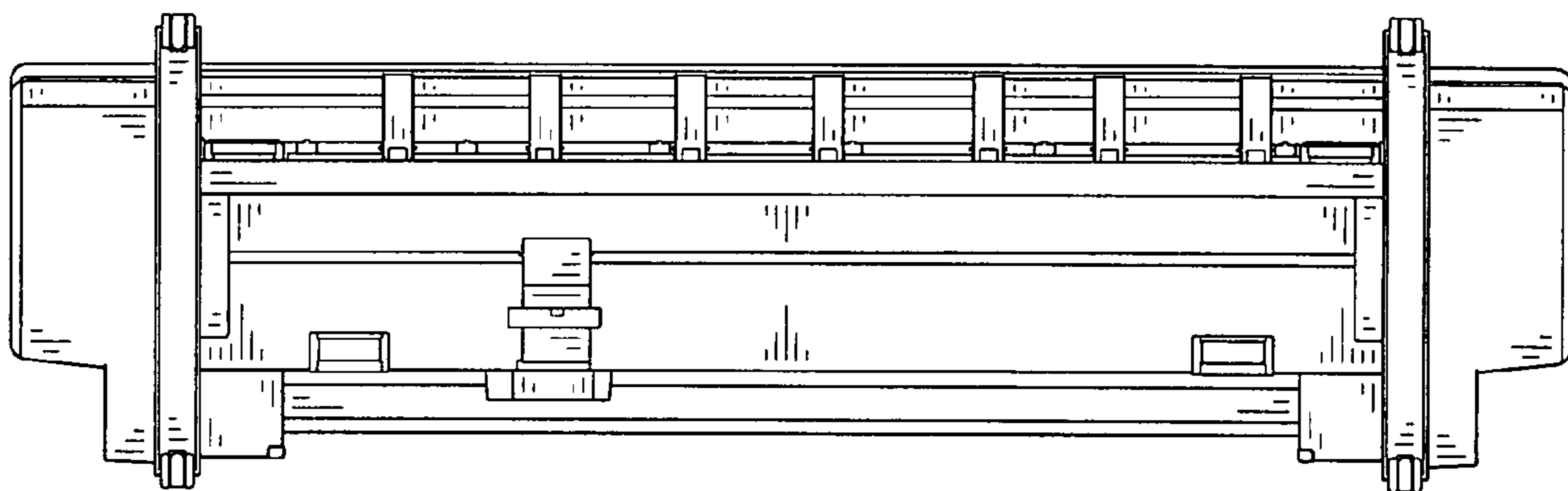


FIG. 7