



US00D597130S

(12) **United States Design Patent**  
**Yoshizawa**

(10) **Patent No.:** **US D597,130 S**  
(45) **Date of Patent:** **\*\* Jul. 28, 2009**

(54) **TONER CARTRIDGE HOLDER**

(75) Inventor: **Hideo Yoshizawa**, Saitama (JP)

(73) Assignee: **Ricoh Company, Ltd.**, Tokyo (JP)

(\*\*) Term: **14 Years**

(21) Appl. No.: **29/304,162**

(22) Filed: **Feb. 26, 2008**

(30) **Foreign Application Priority Data**

Aug. 30, 2007 (JP) ..... 2007-023493

(51) **LOC (9) Cl.** ..... **16-03**

(52) **U.S. Cl.** ..... **D18/43**

(58) **Field of Classification Search** ..... D14/462,  
D14/471, 474, 475; D18/12, 36, 40, 43,  
D18/44, 56; 222/DIG. 1; 347/49, 197, 214,  
347/222; 399/24-27, 107-112, 119, 121,  
399/122, 222-224

See application file for complete search history.

(56) **References Cited**

**U.S. PATENT DOCUMENTS**

6,471,333 B1 \* 10/2002 Powell et al. .... 347/49  
D472,572 S \* 4/2003 Kaiho ..... D18/43  
6,976,749 B2 \* 12/2005 Sasaki et al. .... 347/49  
D531,662 S \* 11/2006 Tsuda et al. .... D18/43  
D573,180 S \* 7/2008 Yoshino ..... D18/56

2005/0212898 A1 \* 9/2005 Lee ..... 347/222  
2007/0036586 A1 \* 2/2007 Funamoto ..... 399/122  
2007/0172254 A1 \* 7/2007 Li ..... 399/122

\* cited by examiner

*Primary Examiner*—Caron Veynar

*Assistant Examiner*—Garth Rademaker

(74) *Attorney, Agent, or Firm*—Dickstein Shapiro LLP

(57) **CLAIM**

The ornamental design for a toner cartridge holder, as shown and described.

**DESCRIPTION**

FIG. 1 is a front elevation of a toner cartridge holder according to the present invention;

FIG. 2 is a rear elevation thereof;

FIG. 3 is a top plan view thereof;

FIG. 4 is a bottom plan view thereof;

FIG. 5 is a right side elevation thereof;

FIG. 6 is a left side elevation thereof; and,

FIG. 7 is a top, front and right side perspective view thereof.

The evenly broken lines depict environmental subject matter only and form no part of the claimed design. The unevenly broken lines (longer line, space, shorter line, space, longer line) show an unclaimed boundary.

**1 Claim, 4 Drawing Sheets**

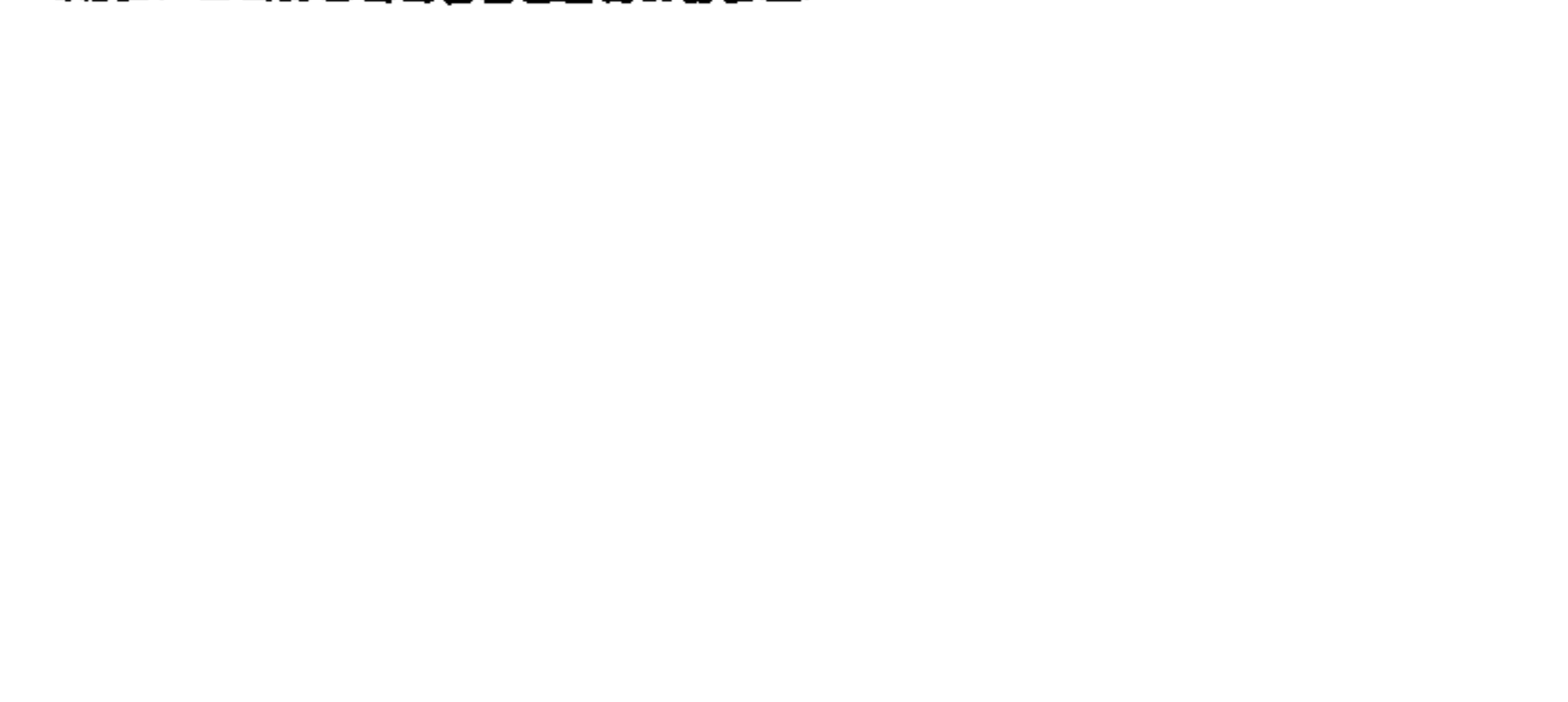
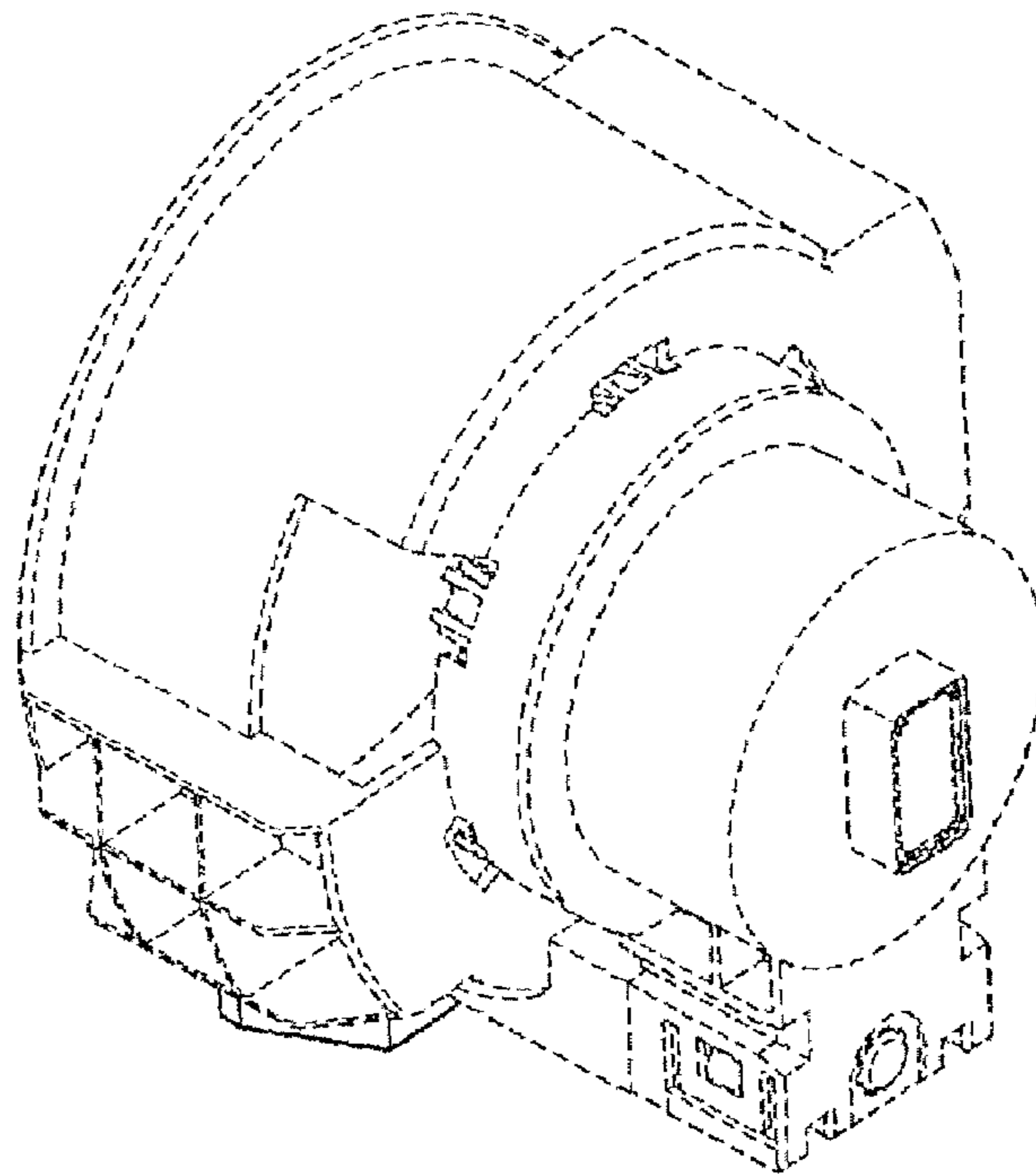
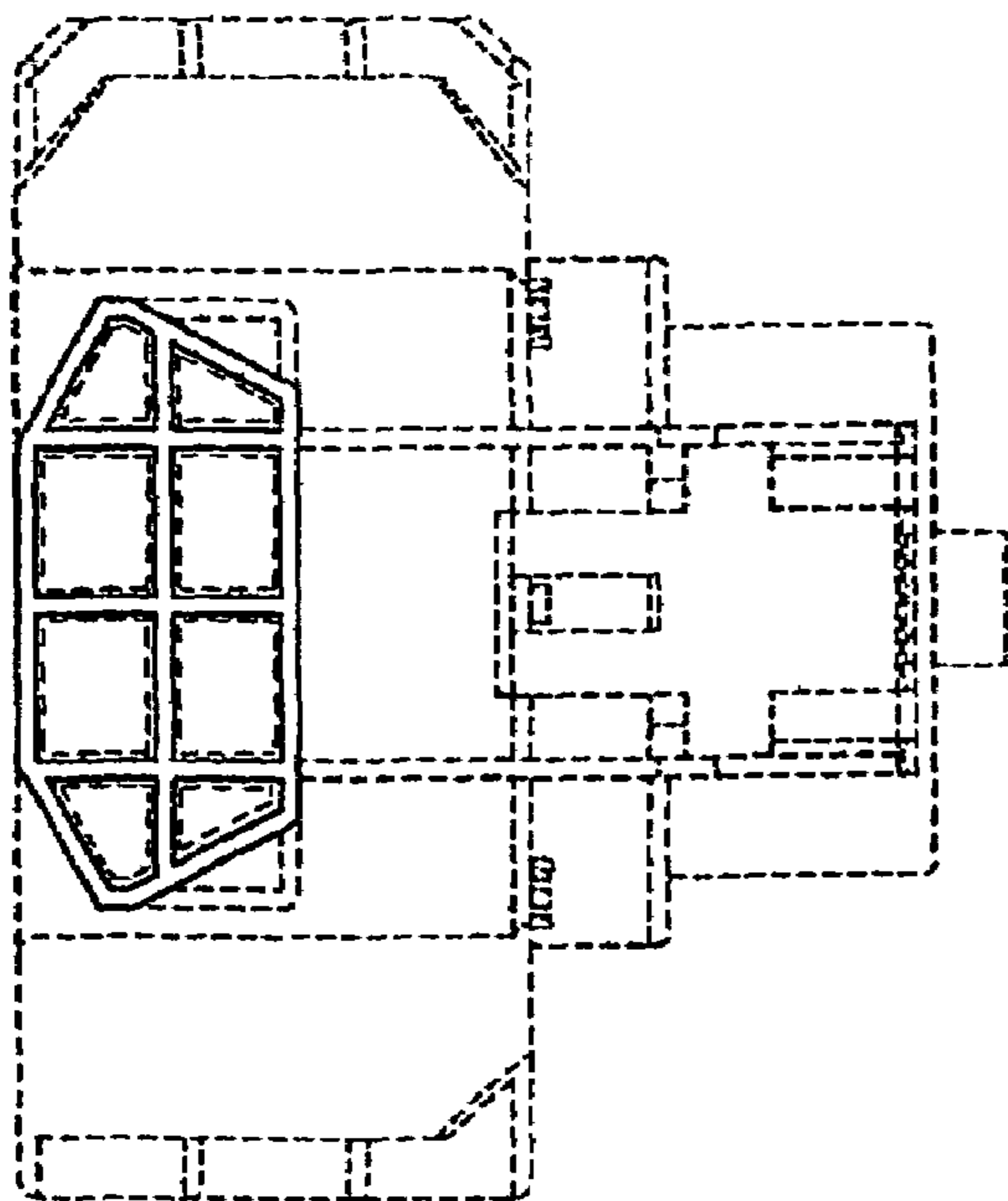


FIG. 1

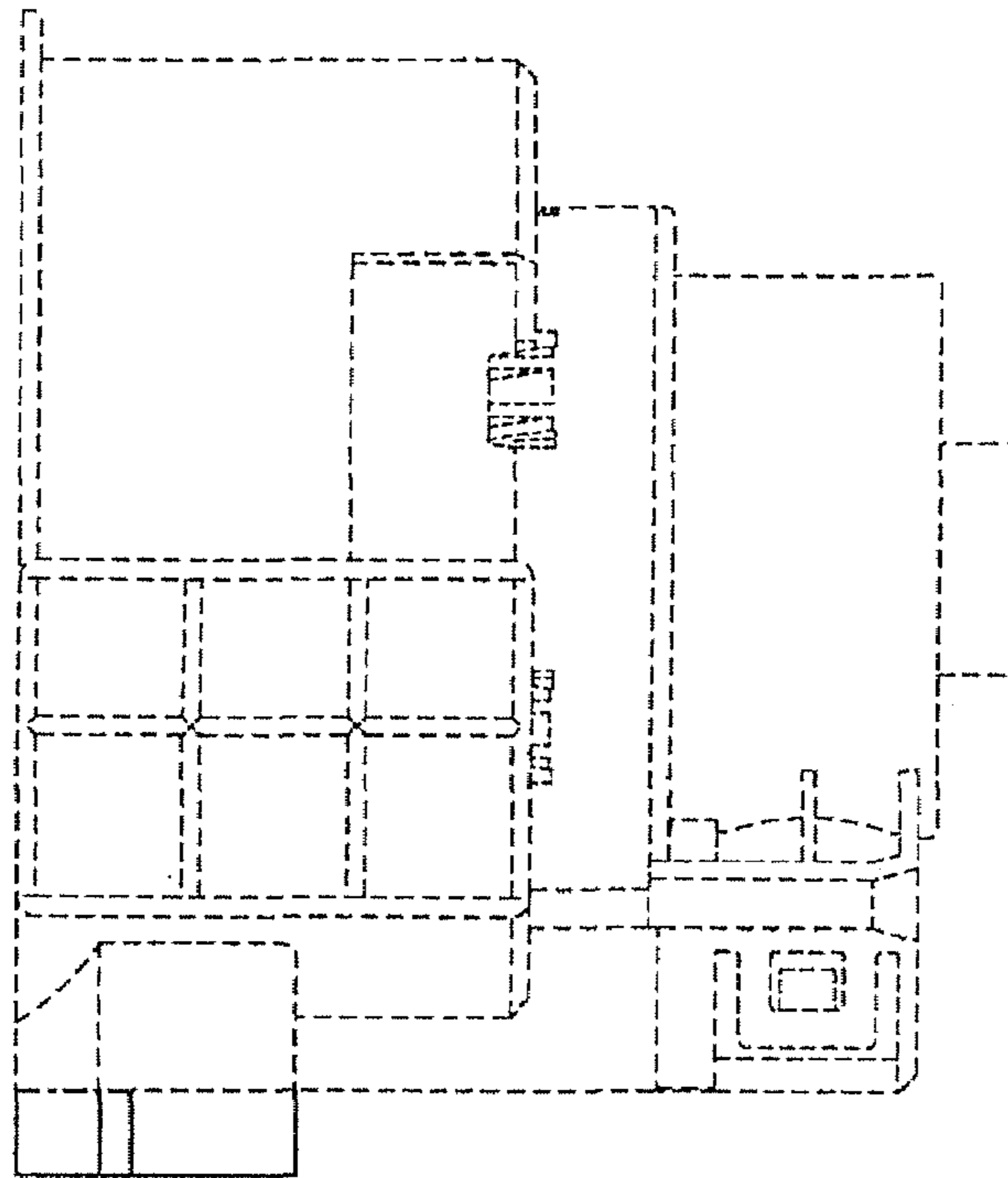


FIG. 2

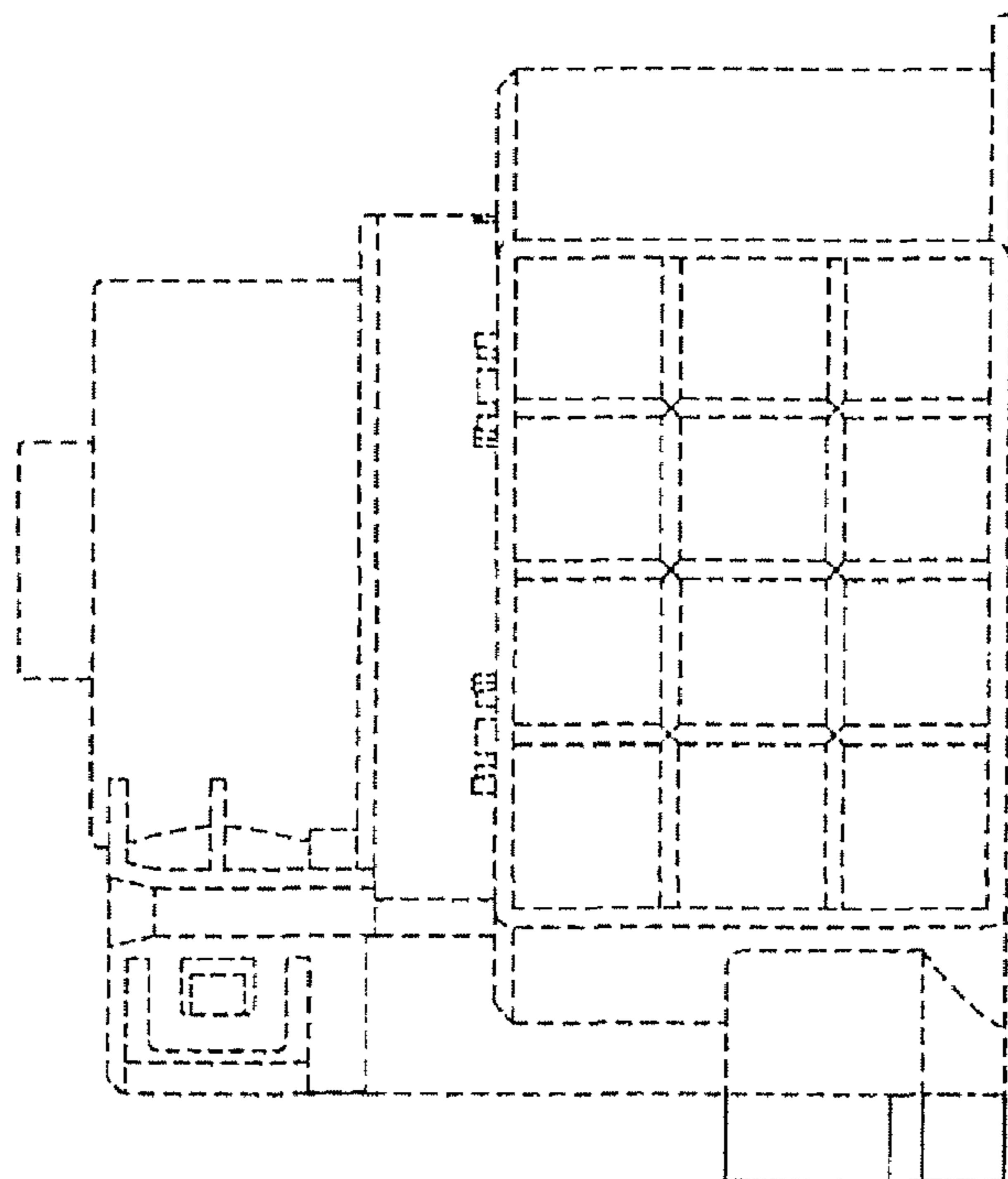


FIG. 3

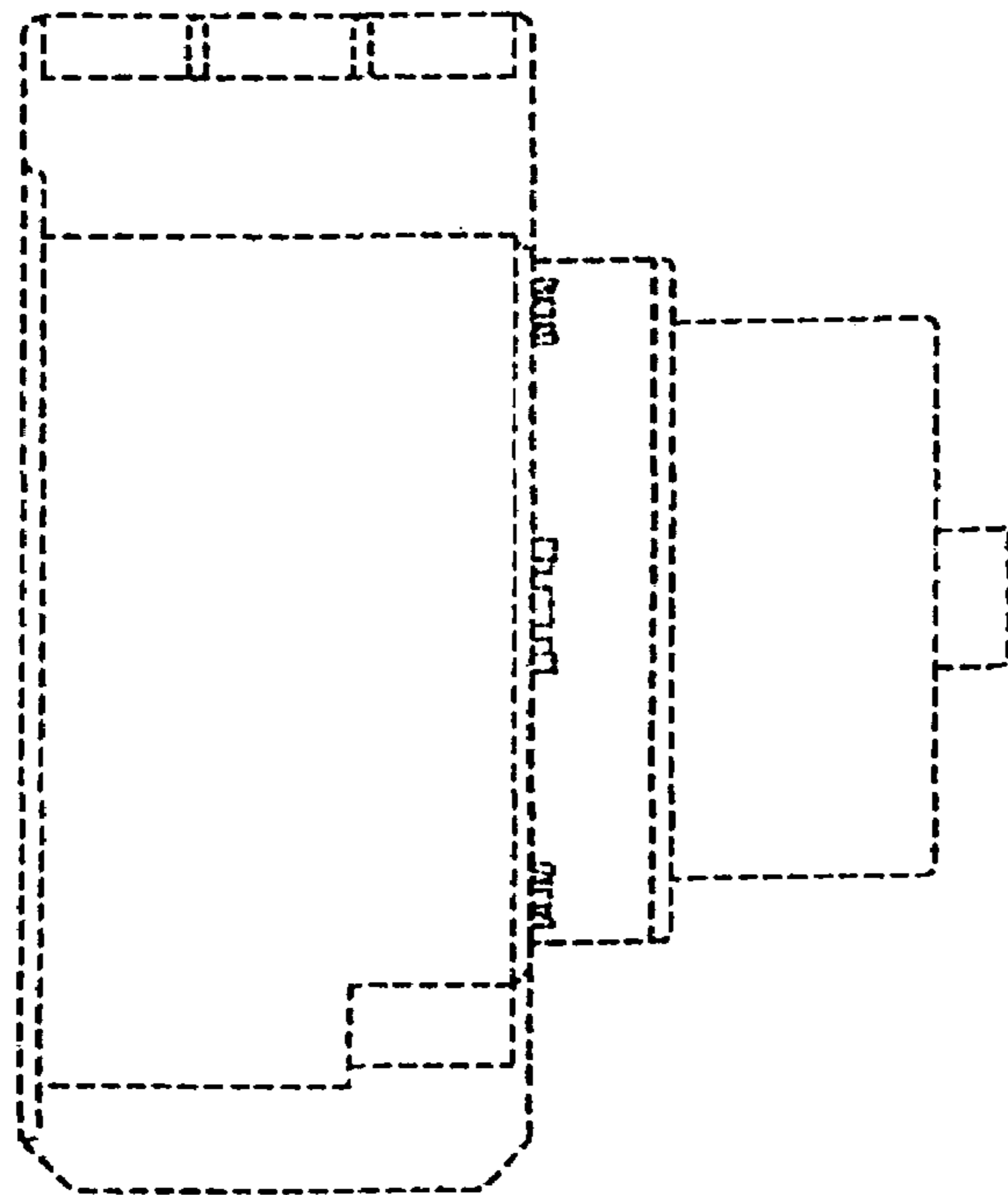


FIG. 4

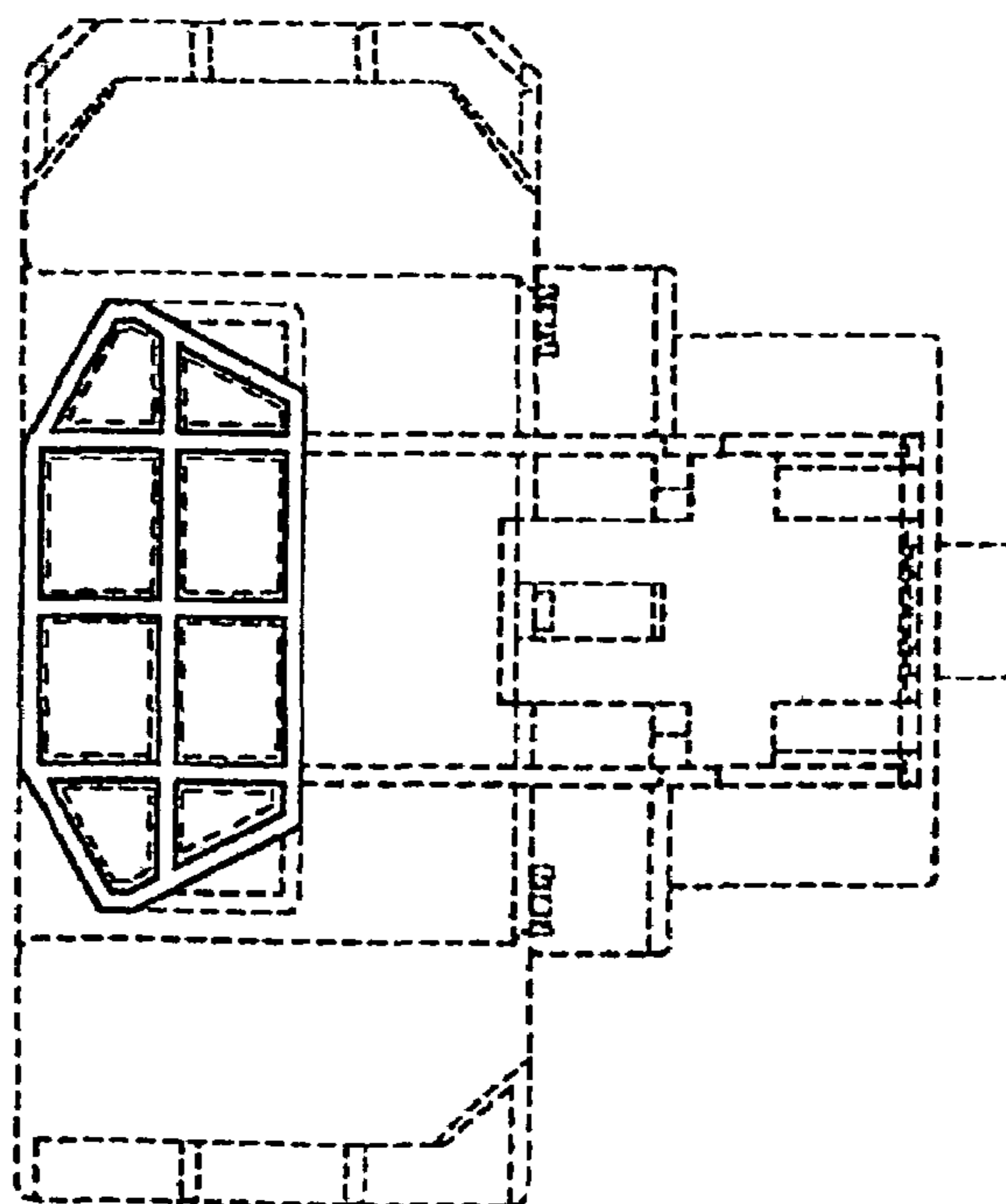


FIG. 5

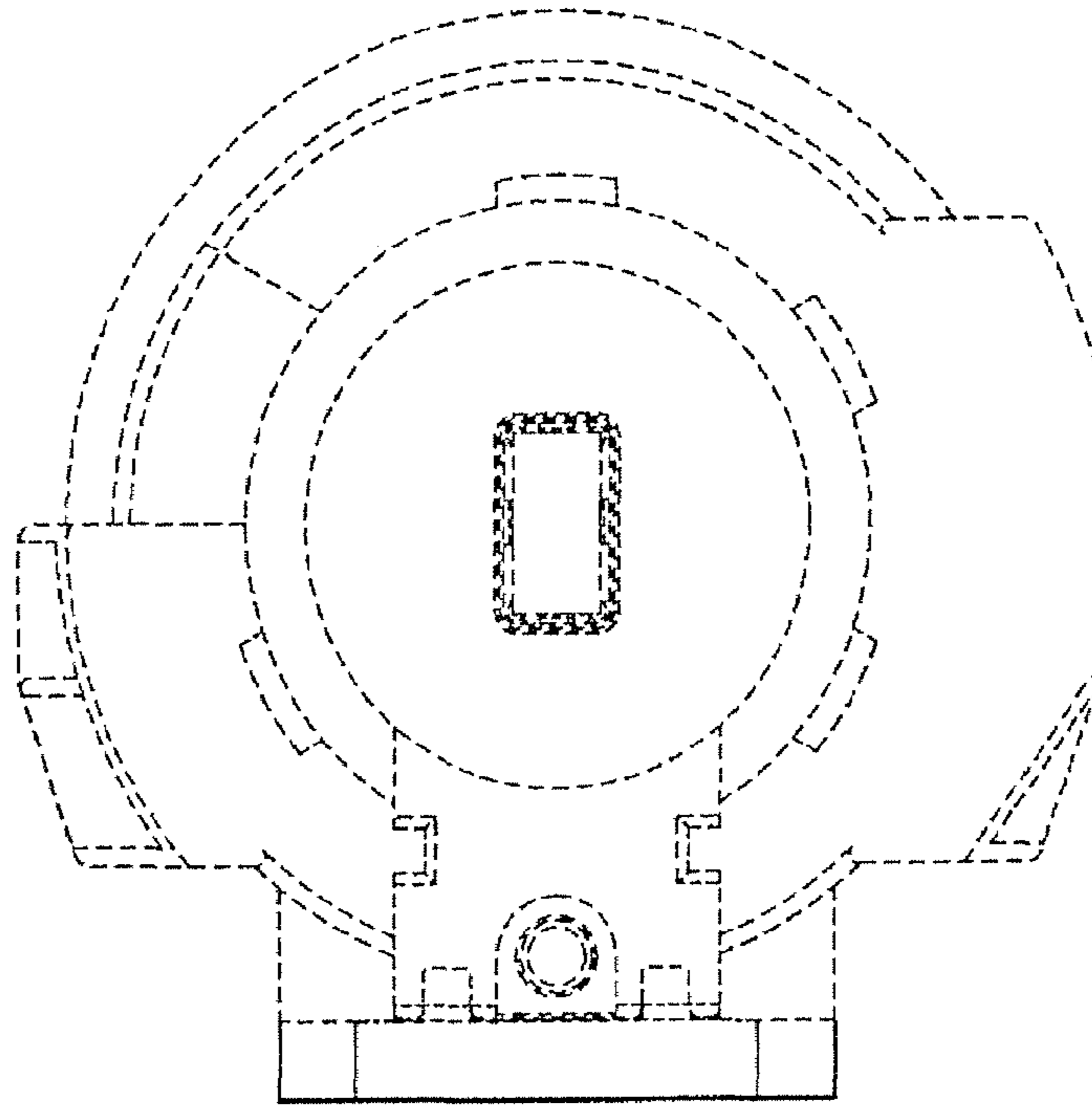


FIG. 6

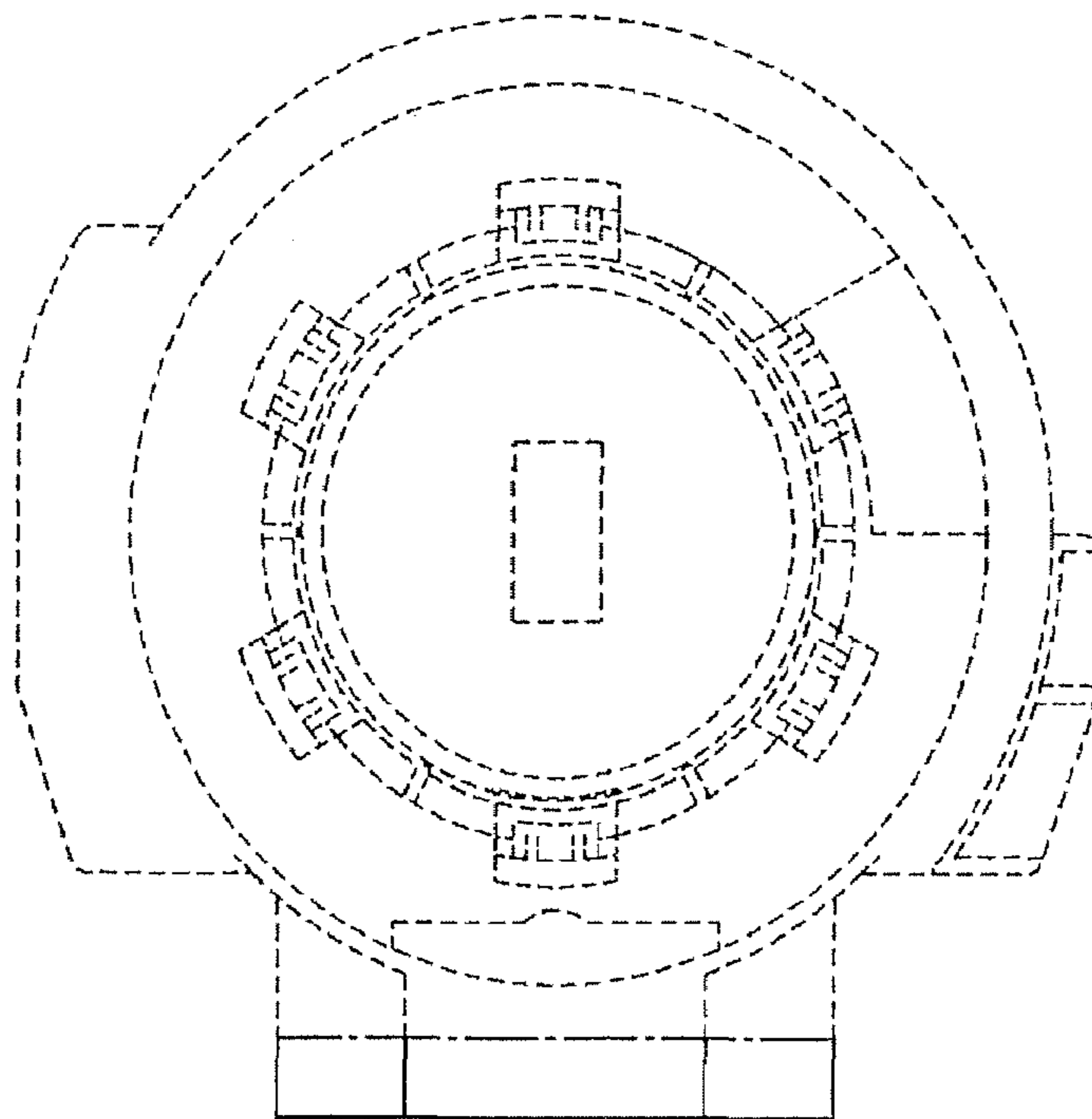


FIG. 7

