

US00D597127S

(12) **United States Design Patent**
Izen et al.

(10) **Patent No.:** **US D597,127 S**

(45) **Date of Patent:** **** Jul. 28, 2009**

(54) **DRUM PEDAL**

(75) Inventors: **Mark S. Izen**, Chestnut Hill, MA (US);
Gerry Helfrich, Natick, MA (US)

(73) Assignee: **First Act Inc.**, Boston, MA (US)

(**) Term: **14 Years**

(21) Appl. No.: **29/267,637**

(22) Filed: **Oct. 18, 2006**

(51) **LOC (9) Cl.** **17-04**

(52) **U.S. Cl.** **D17/22; D17/99**

(58) **Field of Classification Search** D17/22,
D17/99; 84/402, 404, 411 R, 422.1, 422.2,
84/DIG. 12; D13/167

See application file for complete search history.

(56) **References Cited**

U.S. PATENT DOCUMENTS

3,426,640	A *	2/1969	Slingerland, Jr.	84/422.1
3,930,431	A *	1/1976	Magadini	84/422.1
4,644,842	A *	2/1987	Aluisi	84/422.1
D368,496	S *	4/1996	Seger	D14/419
D401,963	S *	12/1998	Schneider et al.	D17/99
D405,461	S *	2/1999	Excellente	D17/99

6,150,596	A *	11/2000	Hsieh	84/422.1
6,740,799	B1 *	5/2004	Liao	84/422.3
2004/0020345	A1 *	2/2004	Matsuzoe et al.	84/422.1
2008/0028915	A1 *	2/2008	Hsieh	84/422.1
2008/0196574	A1 *	8/2008	Kjellgren	84/422.1

* cited by examiner

Primary Examiner—Ian Simmons

Assistant Examiner—R. Johnson

(74) *Attorney, Agent, or Firm*—Townsend and Townsend and Crew LLP

(57) **CLAIM**

The ornamental design for a drum pedal, as shown and described.

DESCRIPTION

FIG. 1 is a front perspective view of a drum pedal showing our new design;

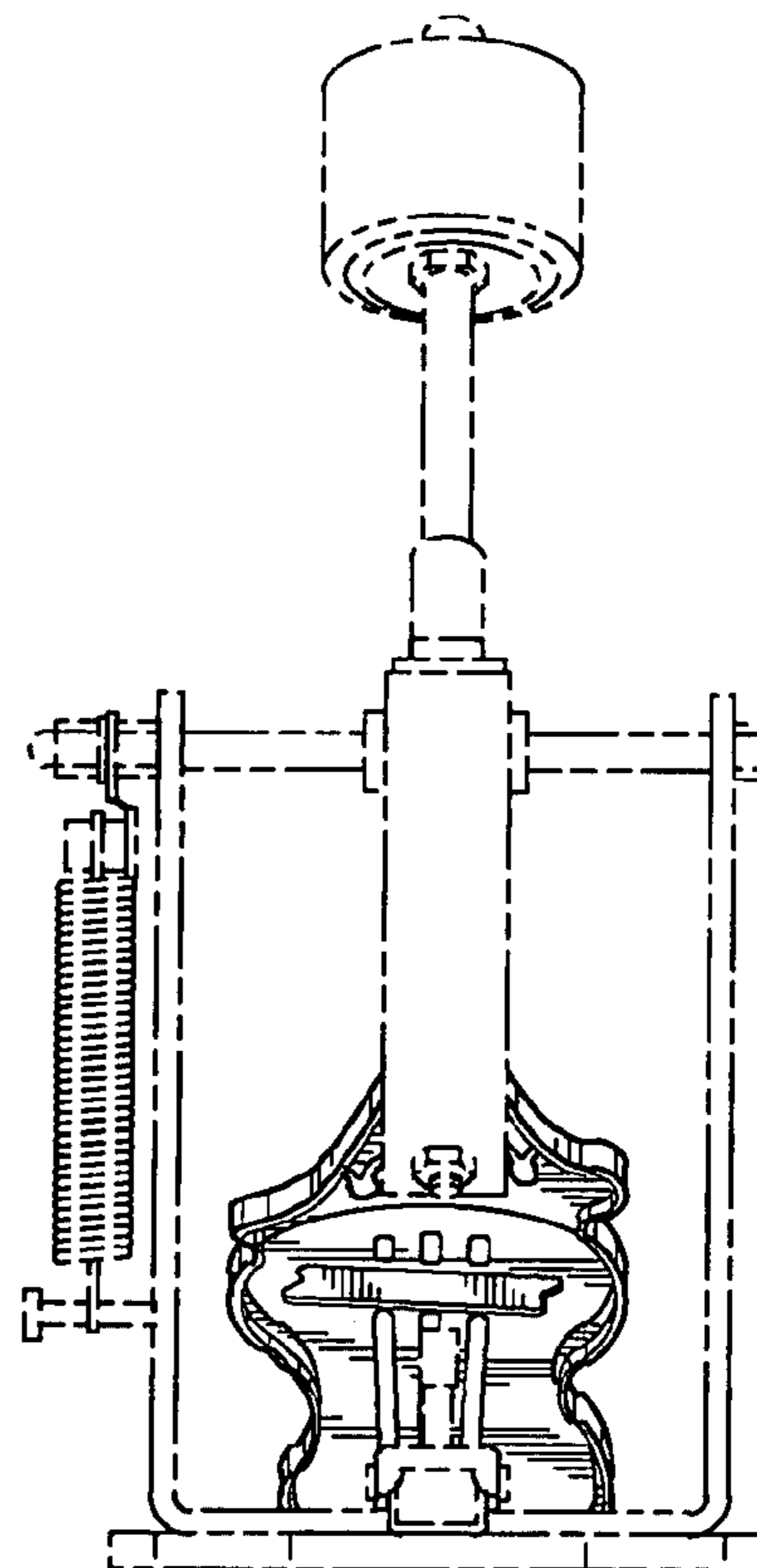
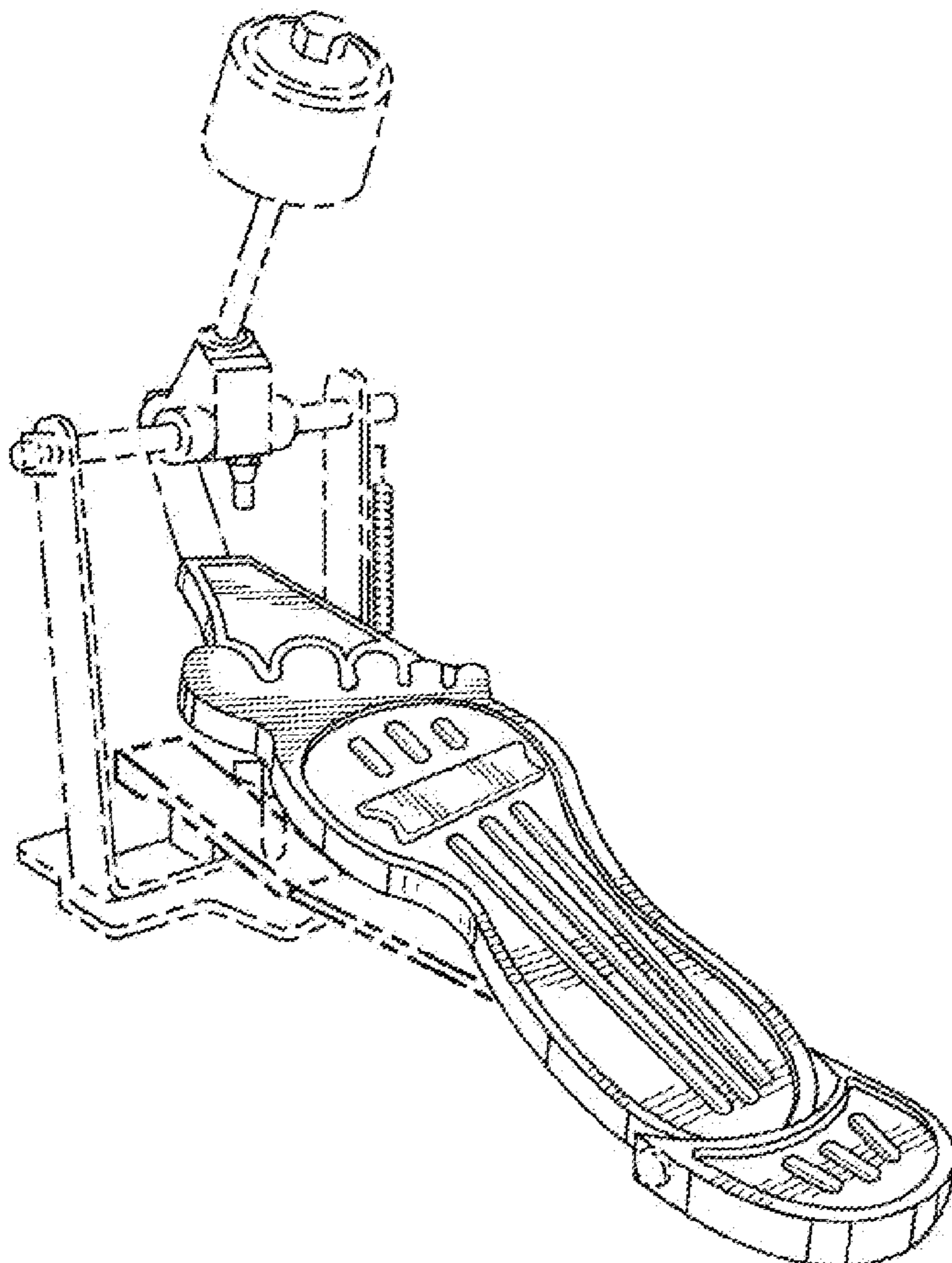
FIG. 2 is a top plan view thereof;

FIG. 3 is a bottom plan view thereof;

FIG. 4 is a front elevational view thereof; and,

FIG. 5 is a rear elevational view thereof.

1 Claim, 4 Drawing Sheets



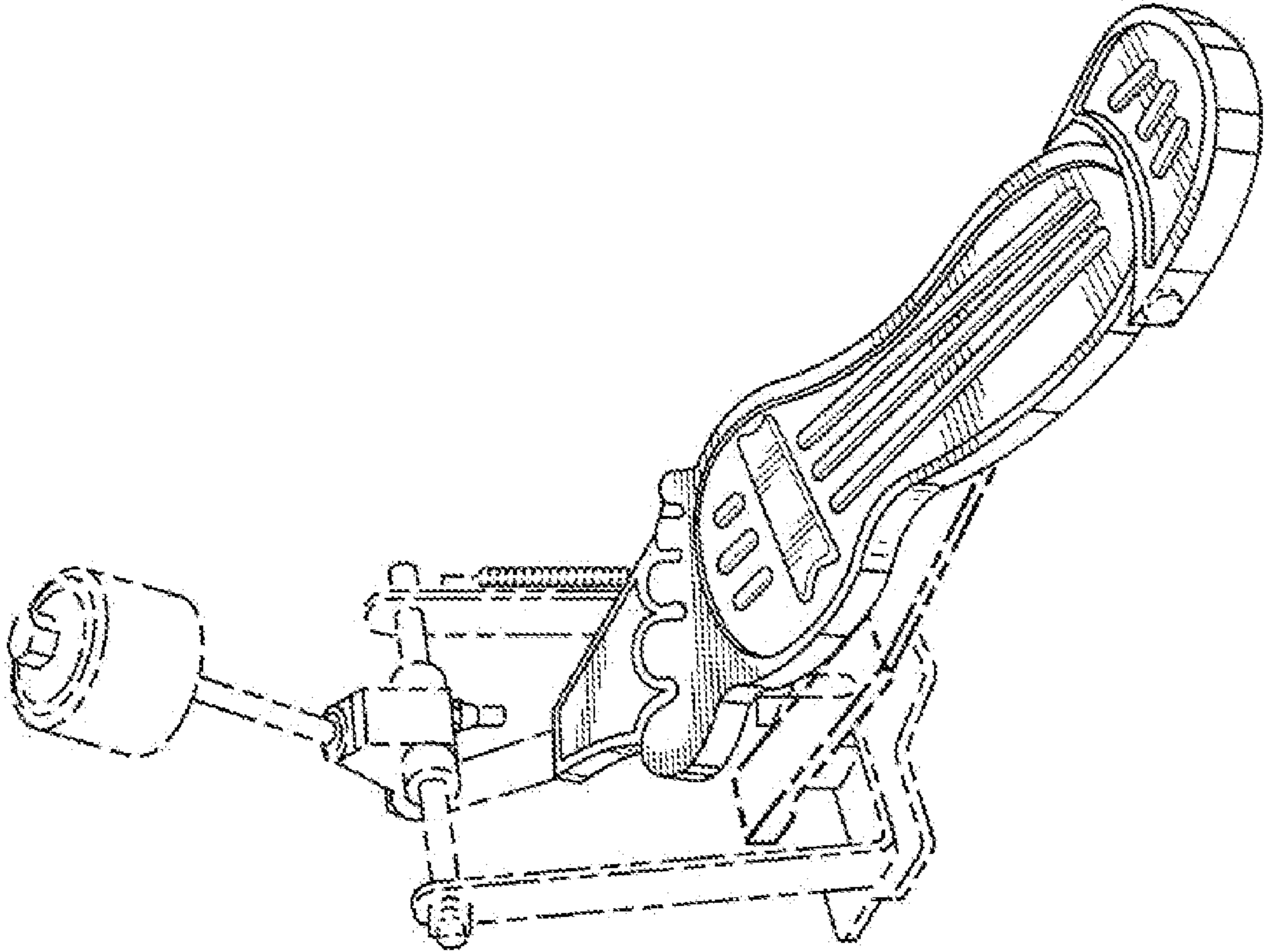


FIG. 1

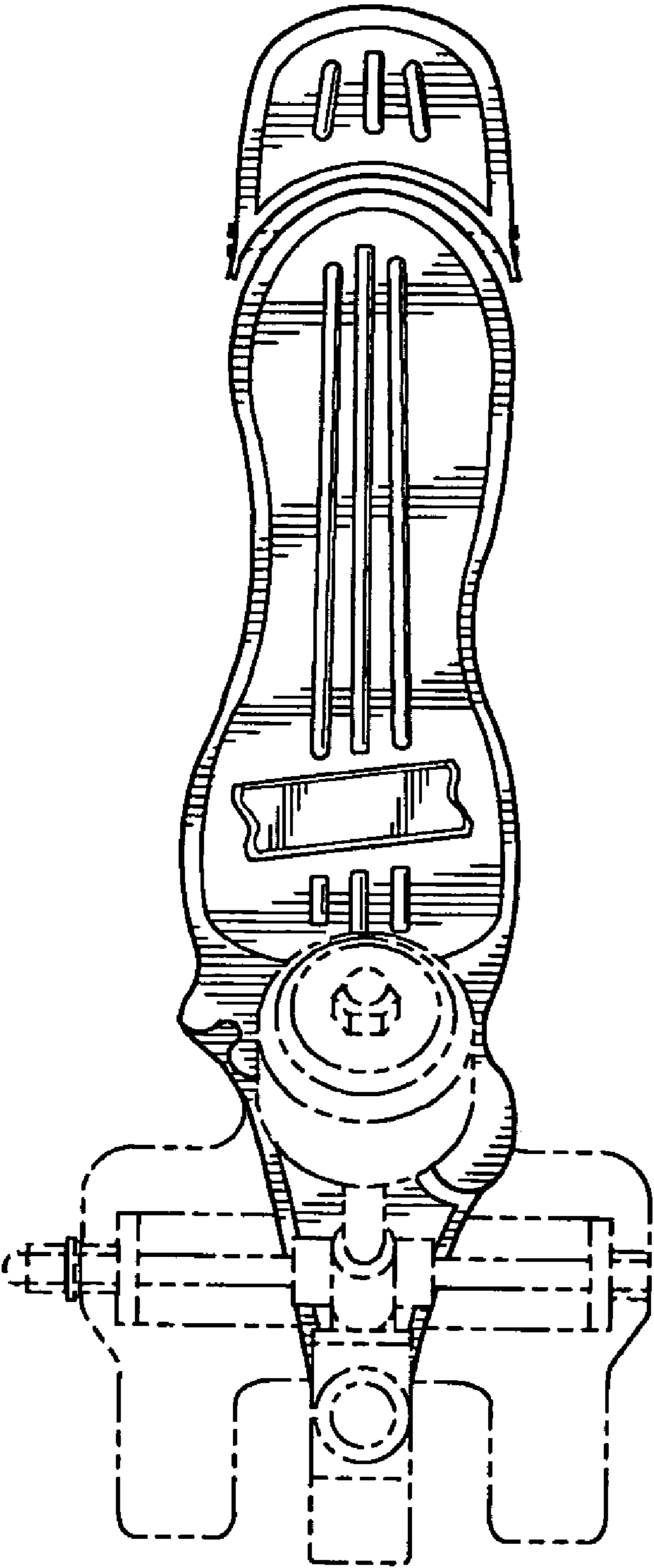


FIG. 2

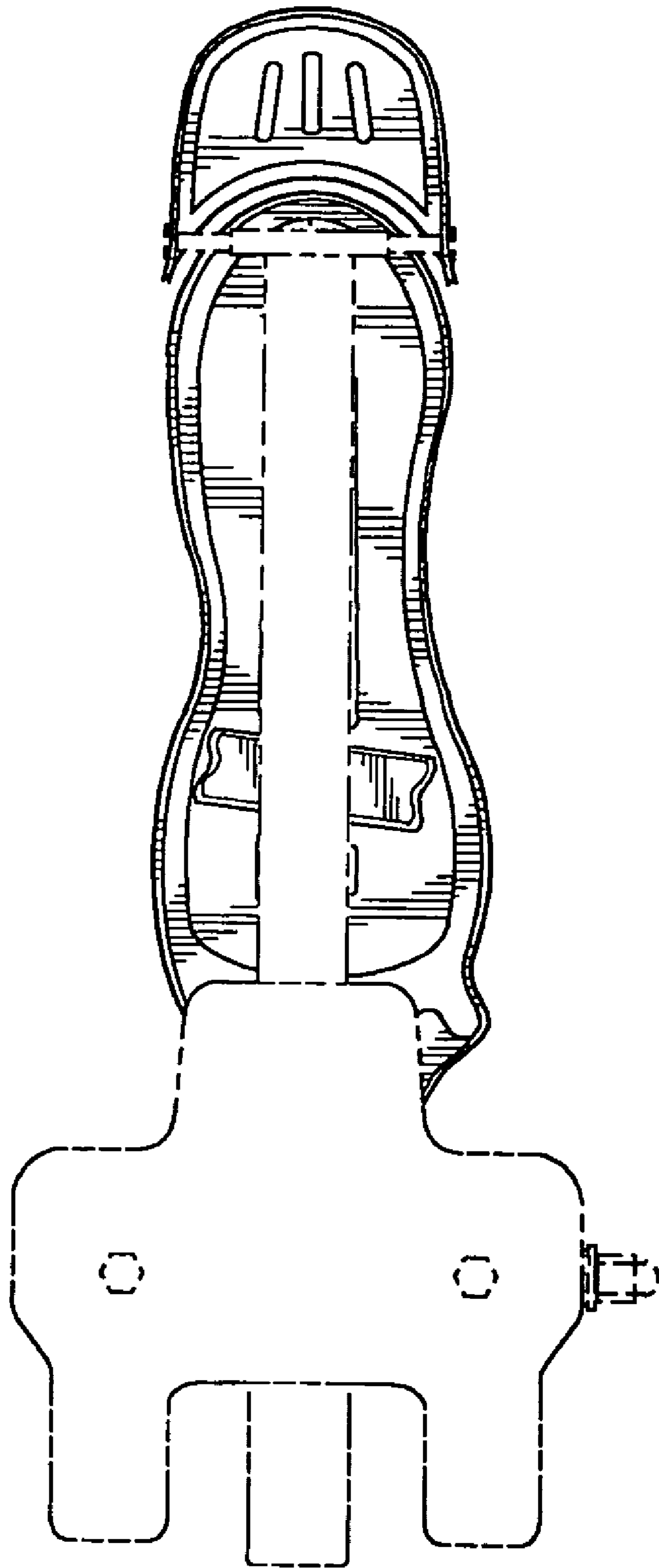


FIG. 3

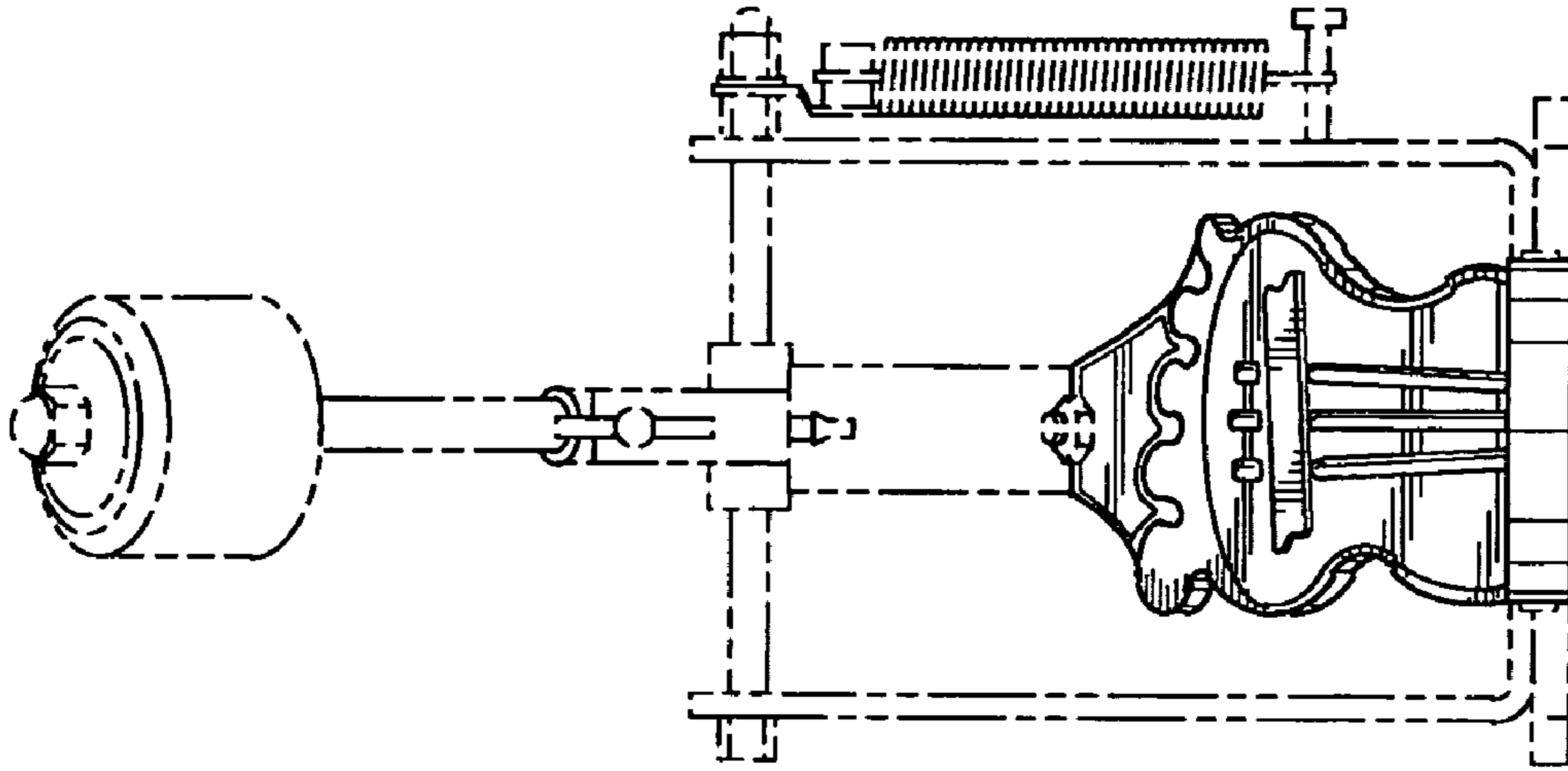


FIG. 5

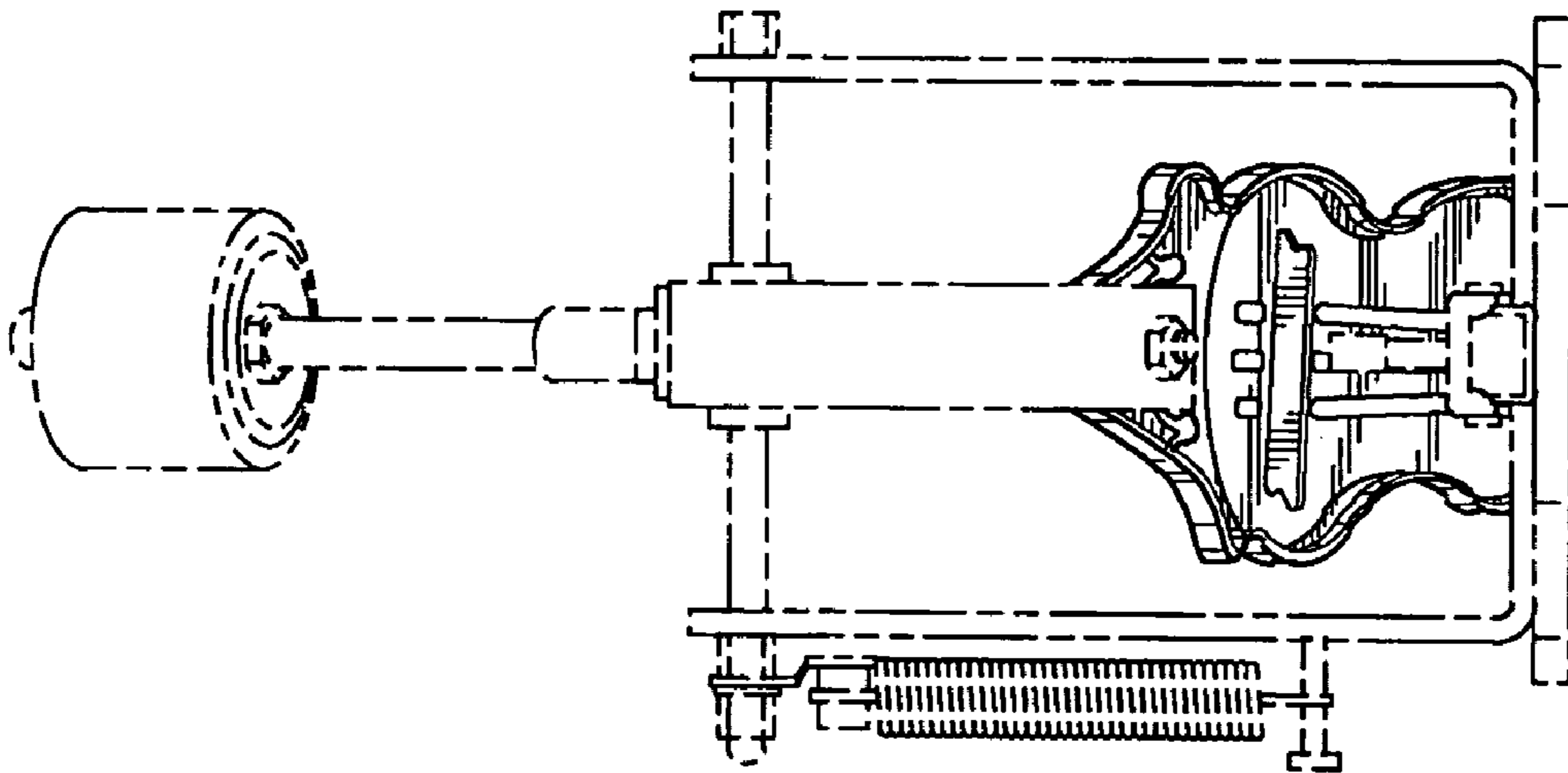


FIG. 4