



US00D597125S

(12) **United States Design Patent**
Rivera et al.

(10) **Patent No.:** **US D597,125 S**
(45) **Date of Patent:** **** Jul. 28, 2009**

(54) **FRET FOR STRINGED INSTRUMENTS**

(76) Inventors: **Humberto Jason E. Rivera**, 5225 Echo Valley St., NW., North Canton, OH (US) 44720; **Cheryl J. Rivera**, 5225 Echo Valley St., NW., North Canton, OH (US) 44720; **Christina R. Rivera**, 5225 Echo Valley St., NW., North Canton, OH (US) 44720

(**) **Term:** **14 Years**

(21) **Appl. No.:** **29/312,511**

(22) **Filed:** **Oct. 27, 2008**

Related U.S. Application Data

(63) Continuation-in-part of application No. 12/008,616, filed on Jan. 11, 2008, now Pat. No. 7,507,888.

(51) **LOC (9) Cl.** **17-03**

(52) **U.S. Cl.** **D17/20**

(58) **Field of Classification Search** D17/14, D17/15, 20, 99; 84/293, 294, 314 R, 314 N
See application file for complete search history.

(56) **References Cited**

U.S. PATENT DOCUMENTS

501,743 A	7/1893	Stratton
967,507 A	8/1910	Finney
1,727,620 A	9/1929	Smith
2,492,845 A	12/1949	Conkling et al.
2,597,154 A	5/1952	Maccaferri
2,664,022 A	12/1953	Maccaferri
3,103,846 A	9/1963	Webster
3,196,729 A	7/1965	Burns et al.
3,273,439 A	9/1966	Keefe et al.
3,712,952 A	1/1973	Terlinde
4,064,779 A	12/1977	Petillo
4,221,151 A	9/1980	Barth
4,334,456 A	6/1982	Martin et al.
4,620,470 A	11/1986	Vogt
4,633,754 A	1/1987	Chapman
4,635,518 A	1/1987	Meno

4,723,469 A	2/1988	Vogt	
4,759,250 A *	7/1988	Lieber	84/293
4,981,064 A	1/1991	Vogt	
5,033,351 A *	7/1991	Nomura	84/646
5,072,643 A	12/1991	Murata	
5,133,239 A	7/1992	Rudolph	
5,760,322 A	6/1998	Ward et al.	
D401,266 S	11/1998	Lojacono	
5,952,593 A	9/1999	Wilder	
6,252,149 B1	6/2001	Matsushita	
6,369,306 B2 *	4/2002	Chapman	84/314 R
6,613,969 B1	9/2003	Petillo et al.	
7,256,336 B2	8/2007	Muncy et al.	
2001/0029827 A1	10/2001	Chapman	
2004/0173080 A1	9/2004	Pye et al.	
2006/0249003 A1 *	11/2006	Thoen	84/300

FOREIGN PATENT DOCUMENTS

CA 2373218 8/2003

(Continued)

Primary Examiner—Ian Simmons

Assistant Examiner—R. Johnson

(74) *Attorney, Agent, or Firm*—Sand & Sebolt

(57) **CLAIM**

The ornamental design for the fret for stringed instruments, as shown and described.

DESCRIPTION

FIG. 1 is a perspective view of the fret for stringed instruments showing my new design; the broken lines show a portion of a neck of a stringed instrument, which forms no part of the claimed design.

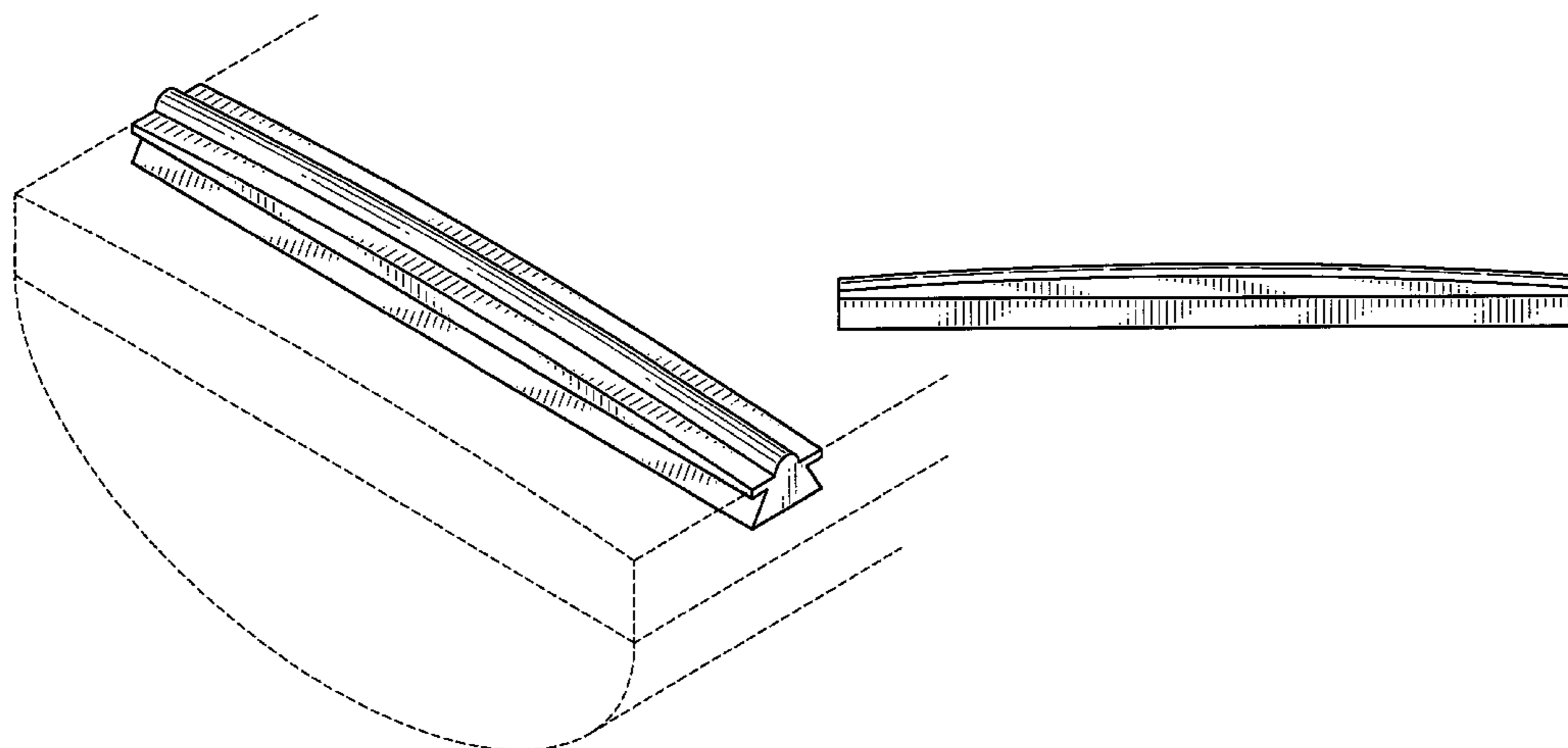
FIG. 2 is a top plan view of the fret.

FIG. 3 is a side elevational view of the fret which represents the appearance of the fret from either side.

FIG. 4 is a bottom plan view of the fret; and,

FIG. 5 is an end elevational view of the fret which represents the appearance of the fret from either end.

1 Claim, 2 Drawing Sheets



US D597,125 S

Page 2

FOREIGN PATENT DOCUMENTS		
CA	02506440	5/2005
DE	3413765	10/1985
DE	102005038852	2/2007
JP	02-073295	3/1990
JP	03-189696	8/1991
JP	09-26784	1/1997
JP	2002-41029	2/2002
JP	2003-033801	2/2003
JP	2004-317826	11/2004
JP	2007/041608	2/2007
WO	WO 2006077422 A1 *	7/2006

* cited by examiner

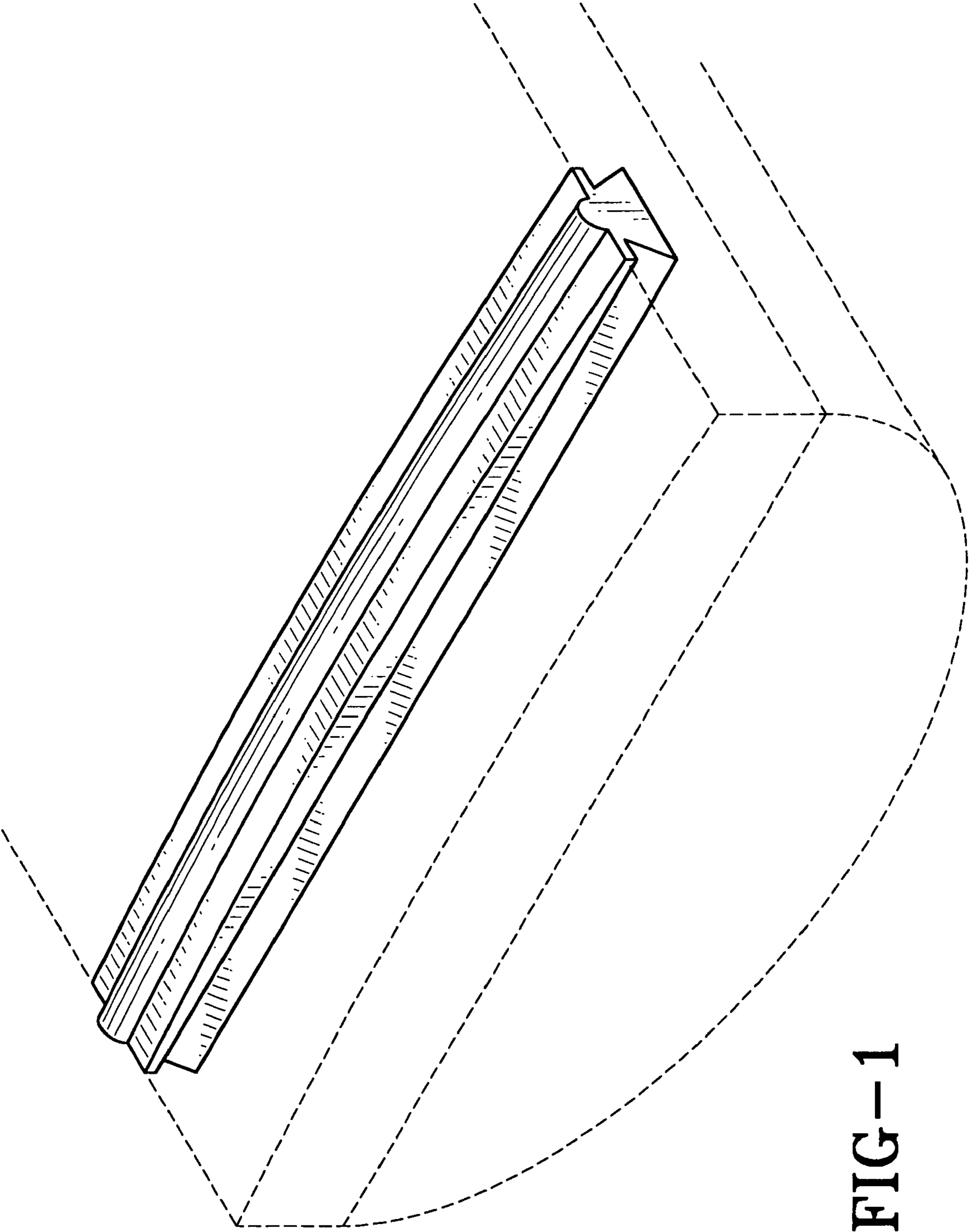


FIG-1

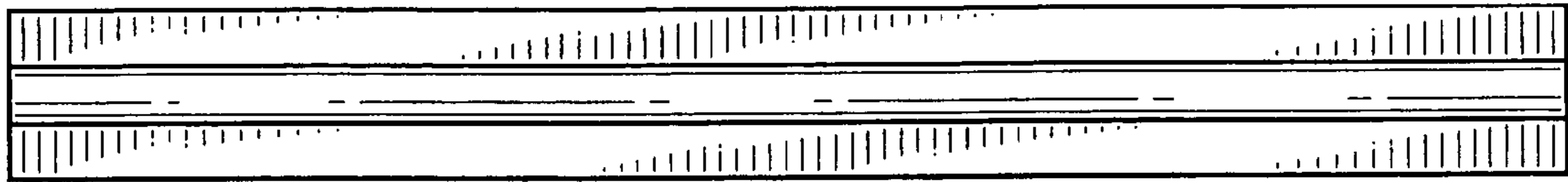


FIG-2

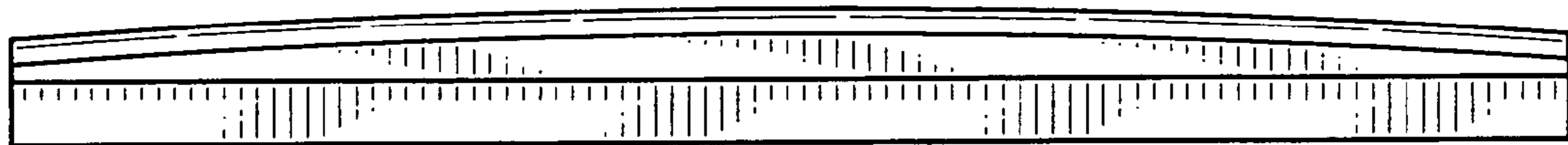


FIG-3

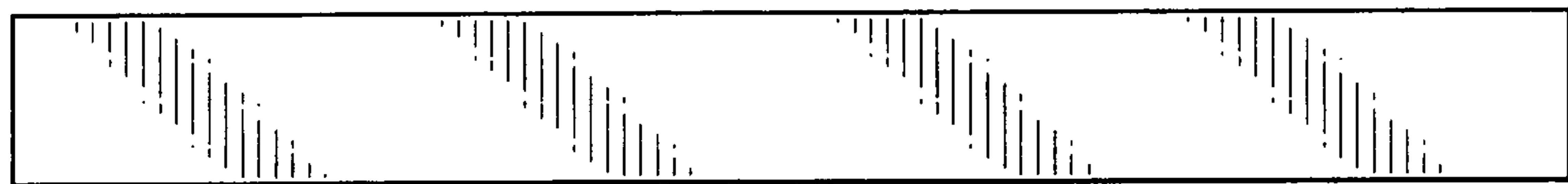


FIG-4

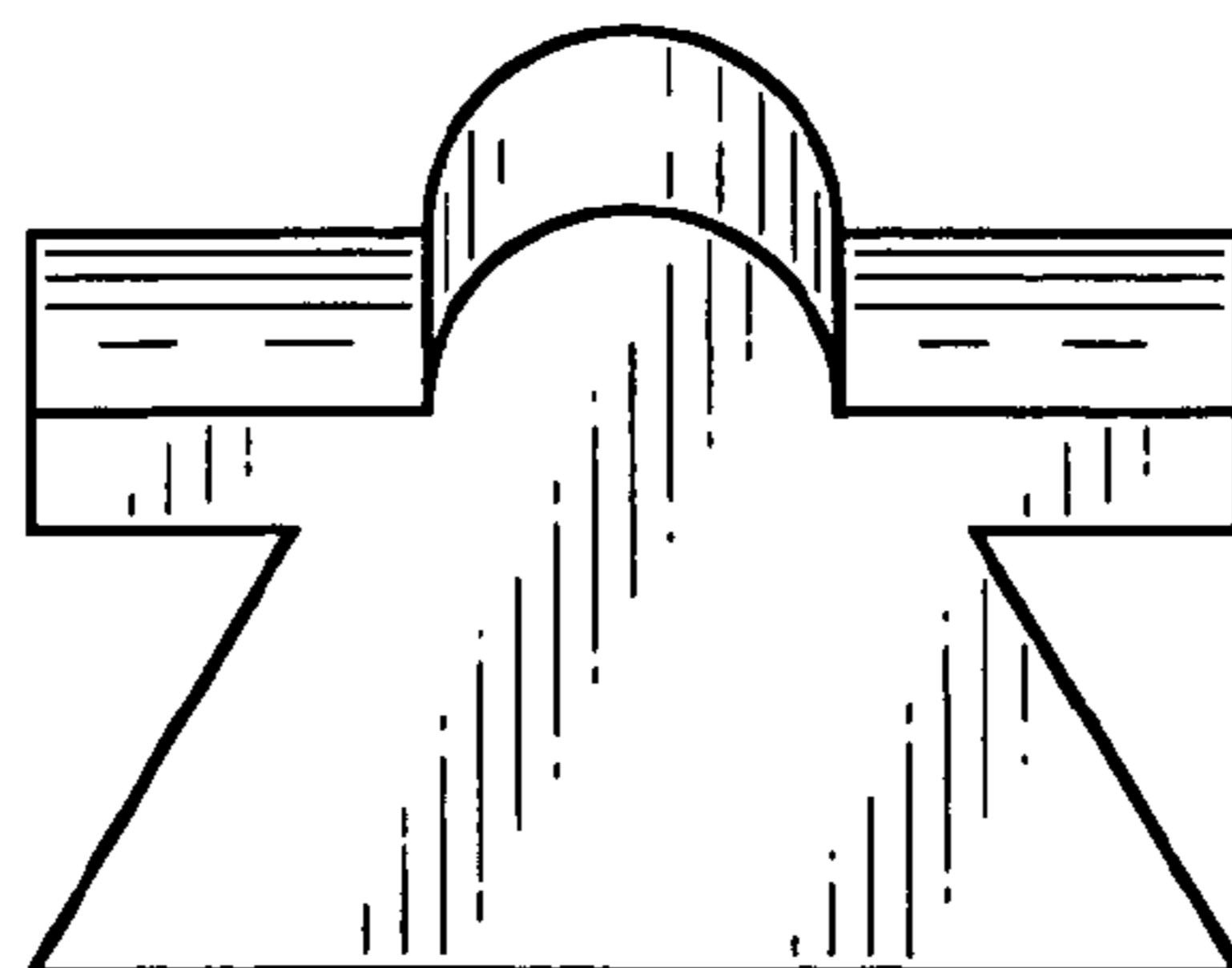


FIG-5