



US00D597123S

(12) **United States Design Patent**
Strecker

(10) **Patent No.:** **US D597,123 S**
(45) **Date of Patent:** **** Jul. 28, 2009**

(54) **EYEGLASSES**

(75) Inventor: **Angela Strecker**, Steyr (AT)

(73) Assignee: **Silhouette International Schmied AG**,
Linz (AT)

(**) Term: **14 Years**

(21) Appl. No.: **29/331,281**

(22) Filed: **Jan. 22, 2009**

(30) **Foreign Application Priority Data**

Aug. 7, 2008 (EM) 000984034

(51) **LOC (9) Cl.** **16-06**

(52) **U.S. Cl.** **D16/315**; D16/334; D16/332

(58) **Field of Classification Search** D16/101,
D16/300-342; D29/109-110; D24/110.2;
351/41, 44, 51-52, 62, 158, 92, 103-123,
351/140, 153, 45-46; 2/426-432, 447-449,
2/441, 436, 434-437, 13, 15; D21/483, 659-661
See application file for complete search history.

(56) **References Cited**

U.S. PATENT DOCUMENTS

- D413,138 S * 8/1999 Flanagan D16/320
- 6,099,117 A * 8/2000 Gregory 351/153
- 6,238,048 B1 * 5/2001 Fukuoka 351/114
- D443,633 S * 6/2001 Lazarides D16/327
- D482,384 S * 11/2003 Frederik Anton
Thiele et al. D16/328
- D540,369 S * 4/2007 Mouclier D16/315
- D551,693 S 9/2007 Fuchs
- D567,838 S 4/2008 Fuchs
- D567,839 S 4/2008 Fuchs
- D581,445 S * 11/2008 Nakanishi D16/315
- D582,963 S 12/2008 Fuchs
- D582,964 S 12/2008 Fuchs

OTHER PUBLICATIONS

U.S. Appl. No. 29/278,599, filed Apr. 3, 2007, Fuchs.

* cited by examiner

Primary Examiner—Raphael Barkai

(74) *Attorney, Agent, or Firm*—Alston & Bird LLP

(57) **CLAIM**

The ornamental design for eyeglasses, as shown and described.

DESCRIPTION

FIG. 1 is a perspective view of eyeglasses showing an embodiment of my new design;

FIG. 2 is a front elevation view thereof;

FIG. 3 is a rear elevation view thereof;

FIG. 4 is a top plan view thereof;

FIG. 5 is a bottom plan view thereof; and

FIG. 6 is a left side elevation view thereof, the right side elevation view being a mirror image thereof.

FIG. 7 is a cross-section view thereof taken along line 7—7 of FIG. 4;

FIG. 8 is a perspective view of eyeglasses showing my new design;

FIG. 9 is a front elevation view thereof;

FIG. 10 is a rear elevation view thereof;

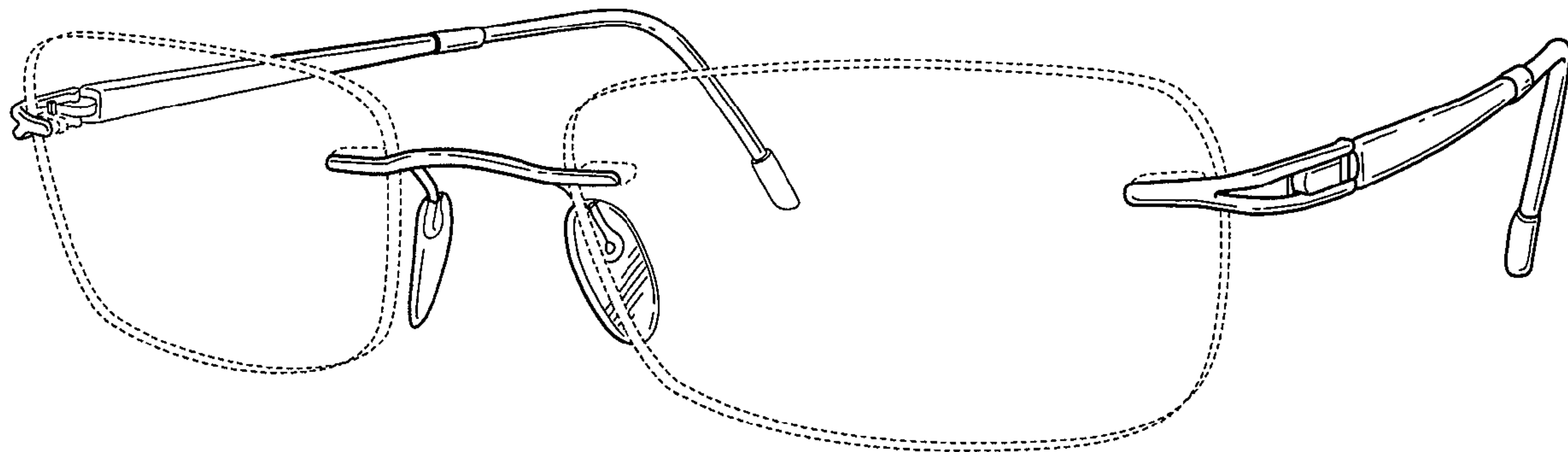
FIG. 11 is a top plan view thereof;

FIG. 12 is a bottom plan view thereof; and,

FIG. 13 is a left side elevation view thereof, the right side elevation view being a mirror image thereof.

Broken lines shown herein for illustrative purposes or which define the bounds of the claimed design form no part of the claimed design.

1 Claim, 11 Drawing Sheets



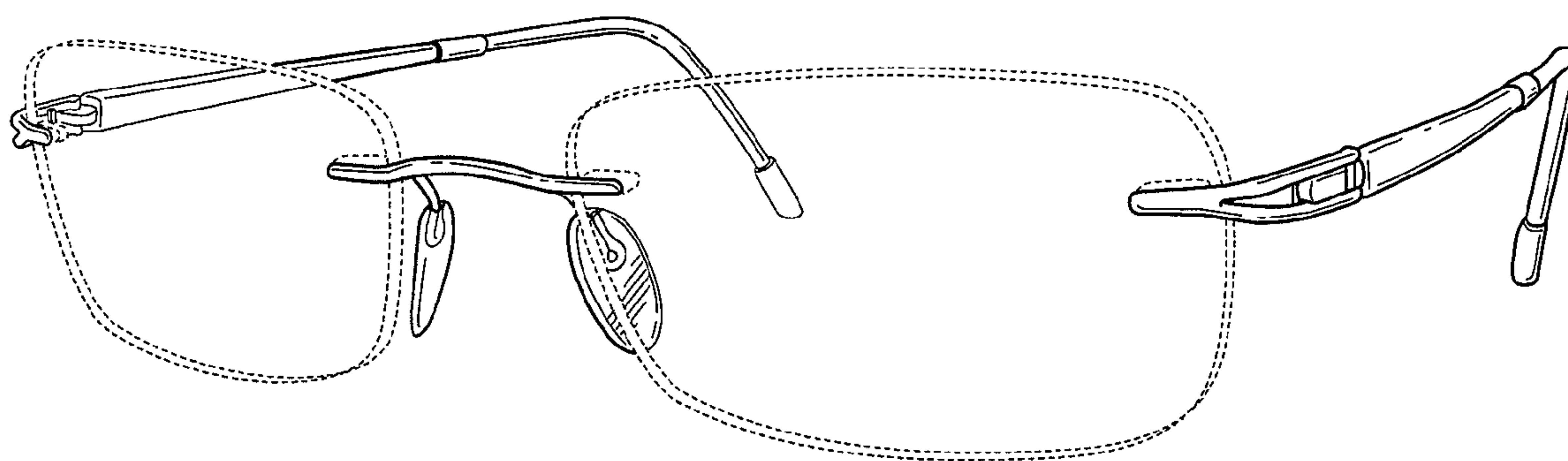


FIG. 1

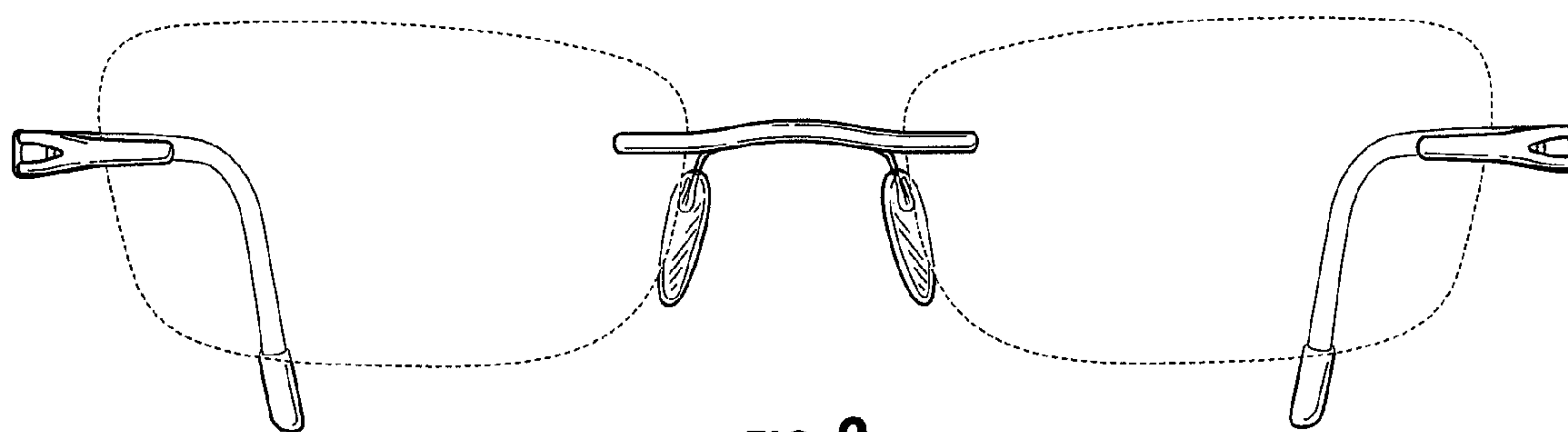


FIG. 2

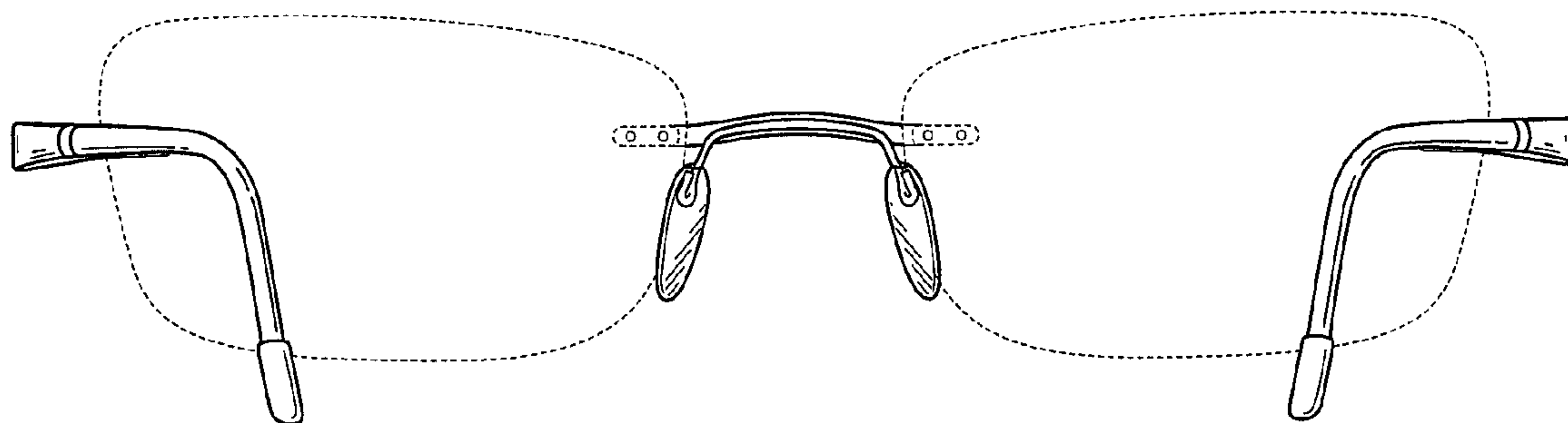


FIG. 3

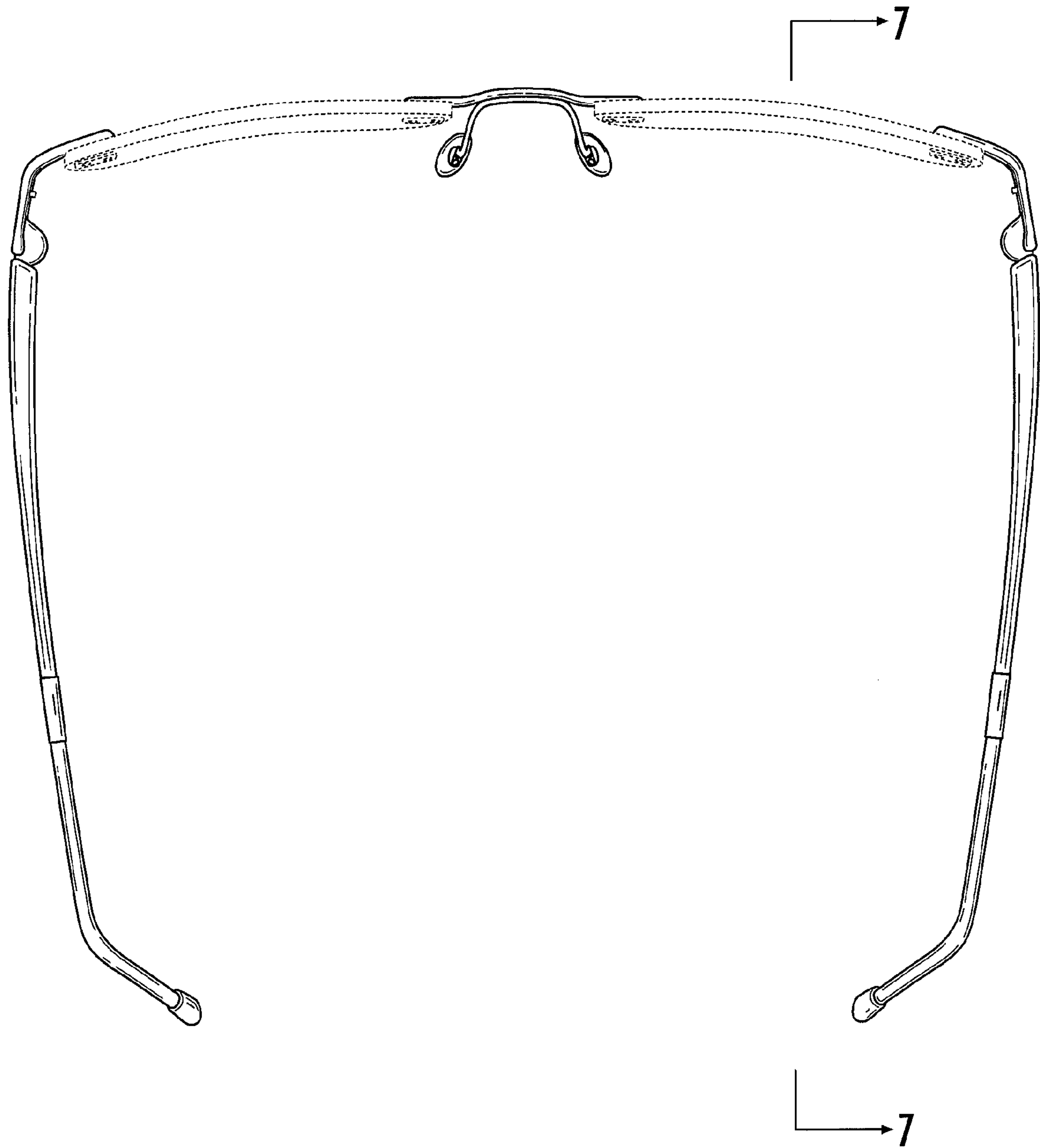


FIG. 4

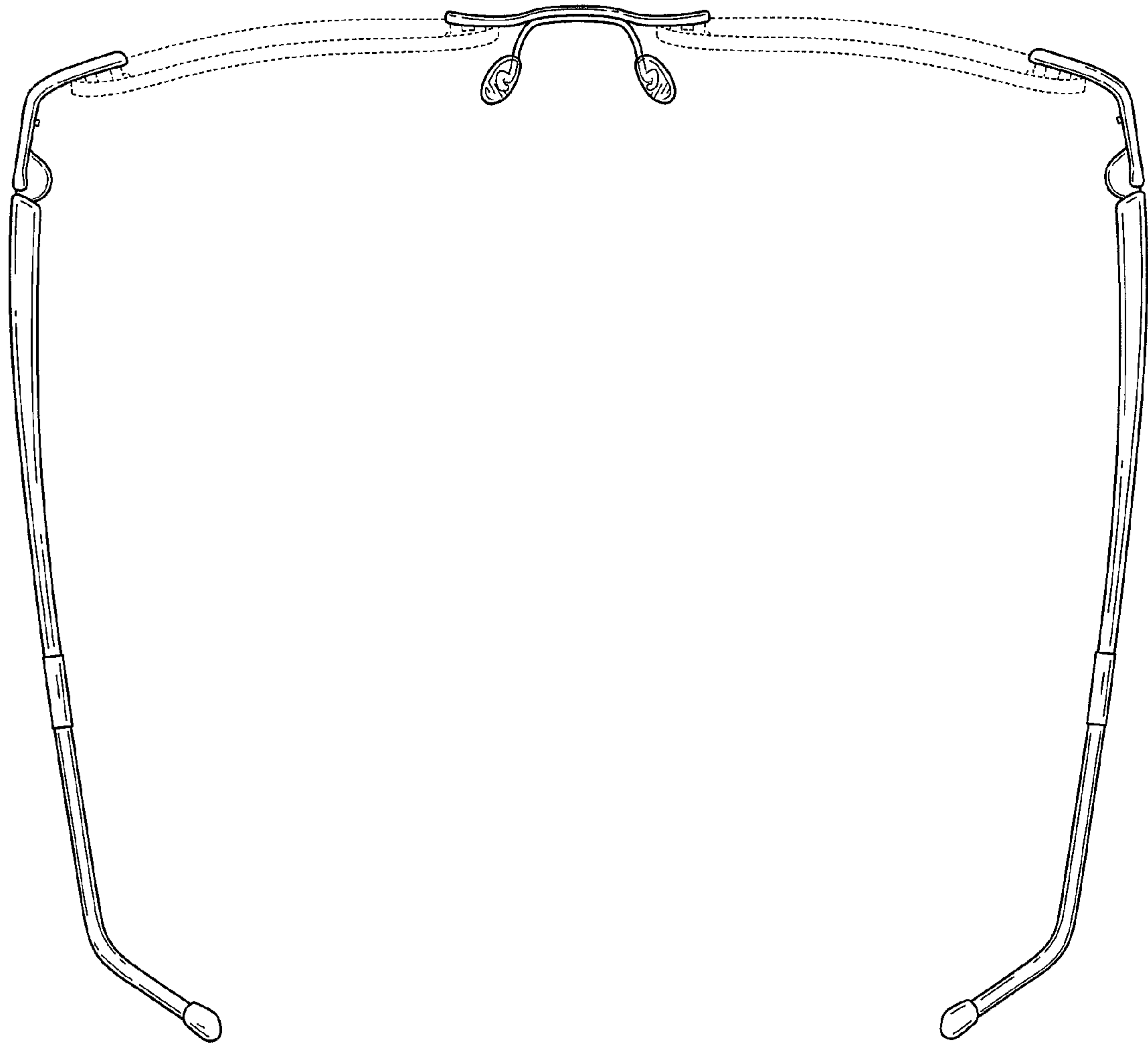


FIG. 5

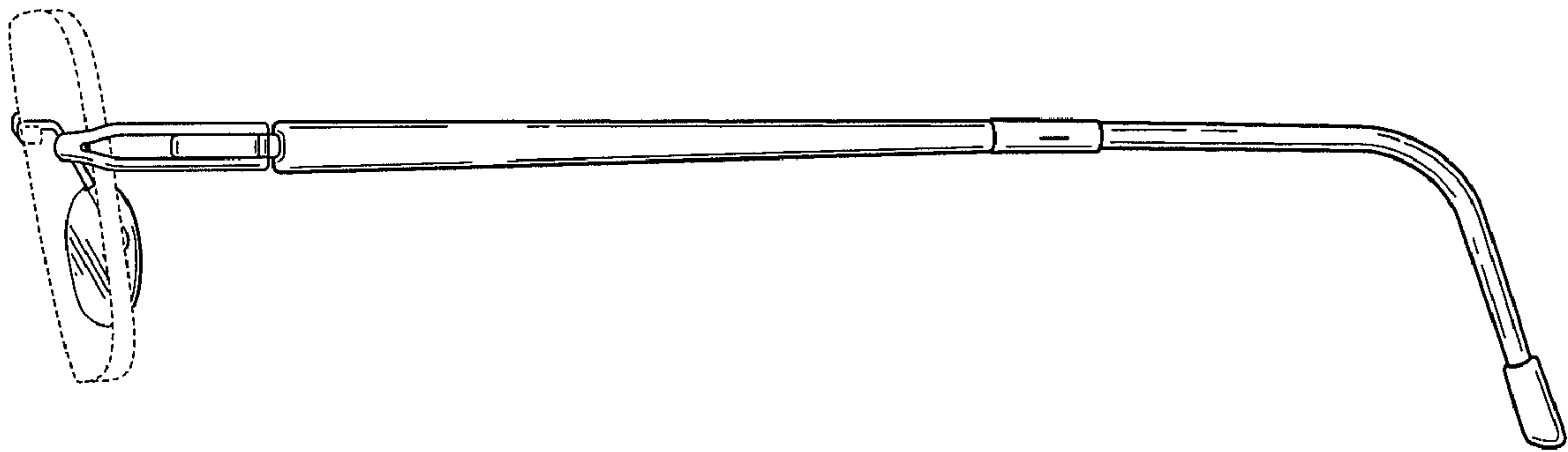


FIG. 6

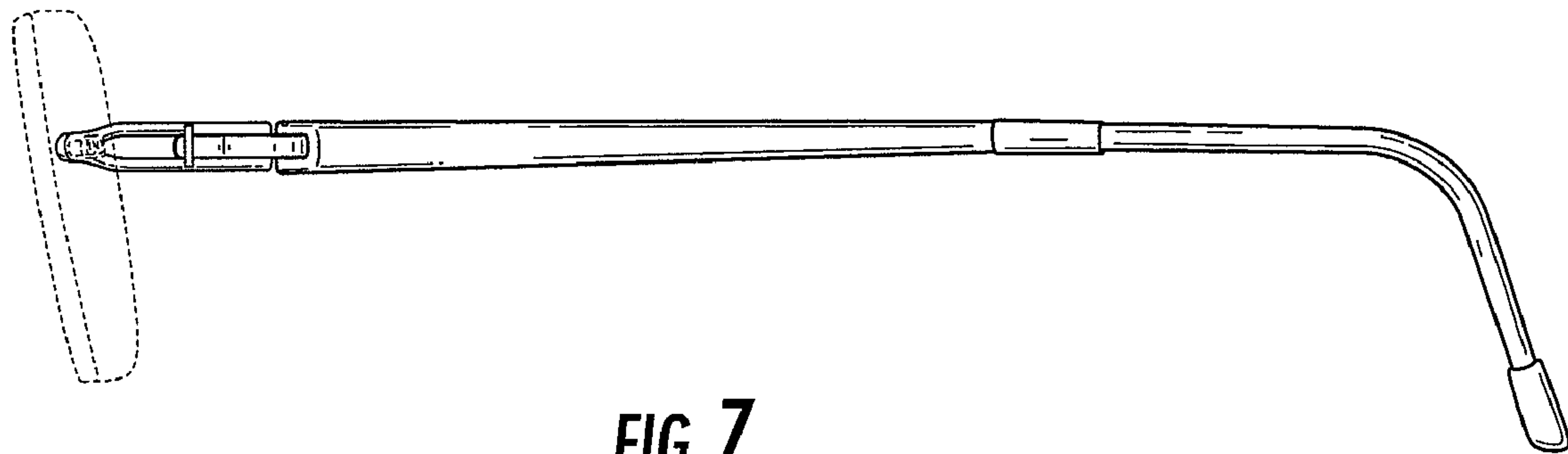


FIG. 7

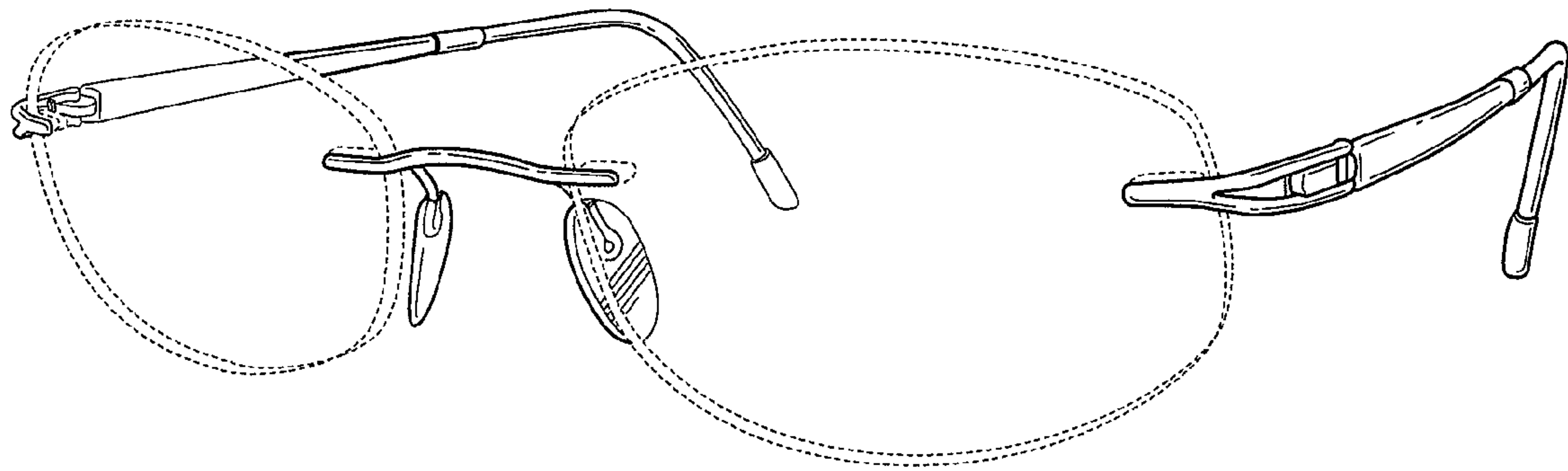


FIG. 8

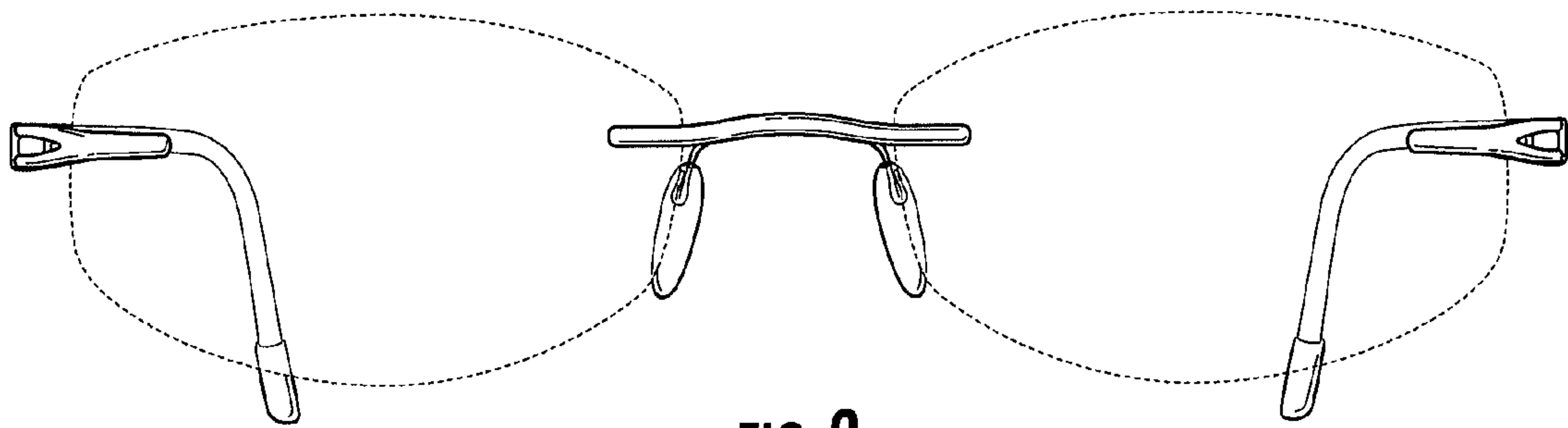


FIG. 9

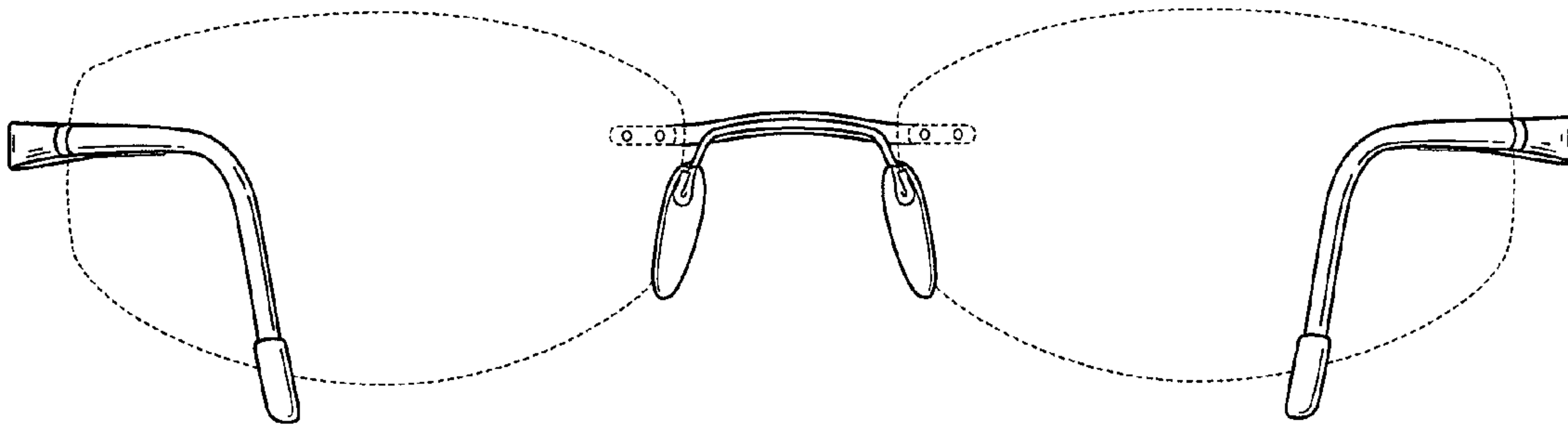


FIG. 10

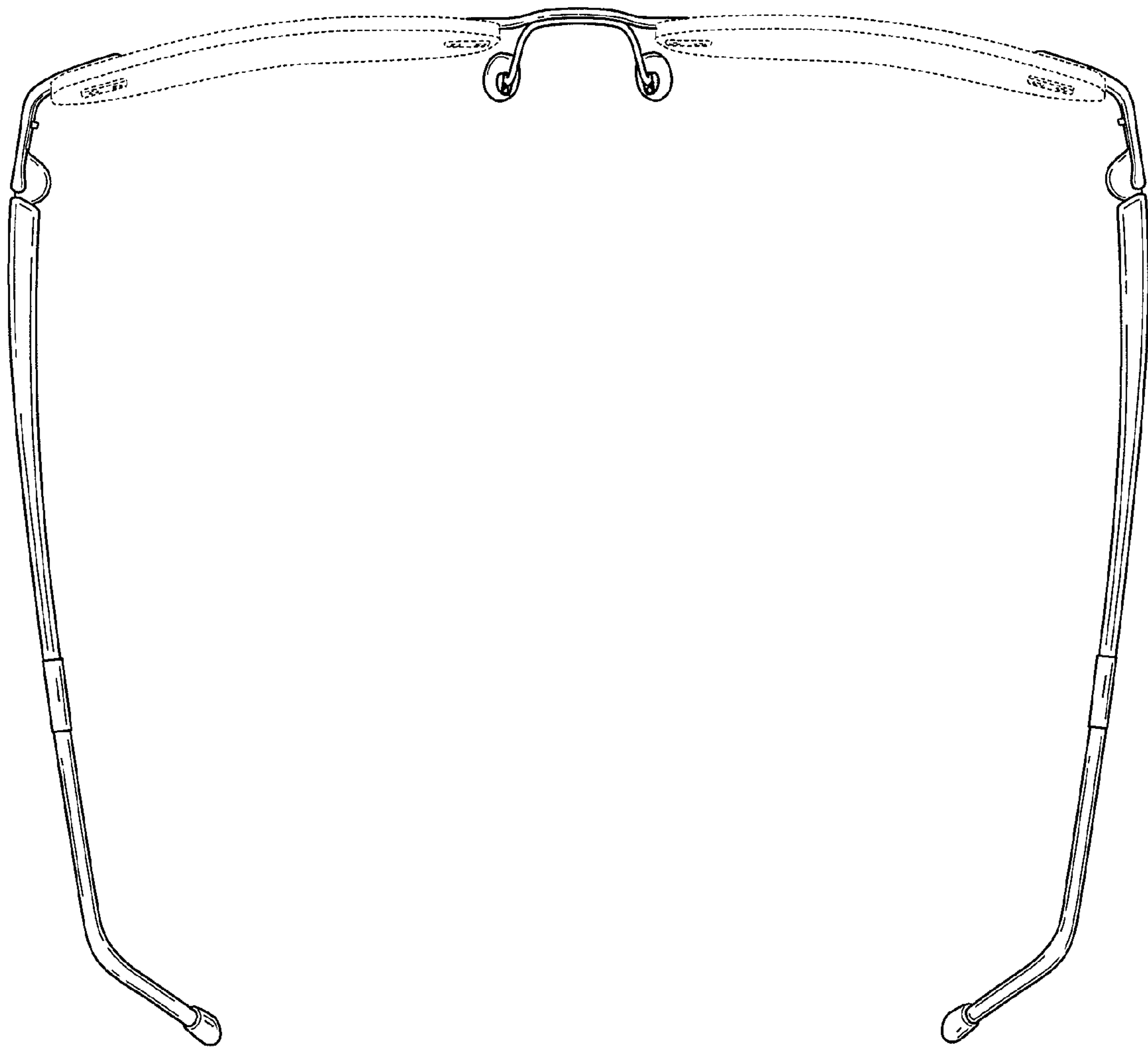


FIG. 11

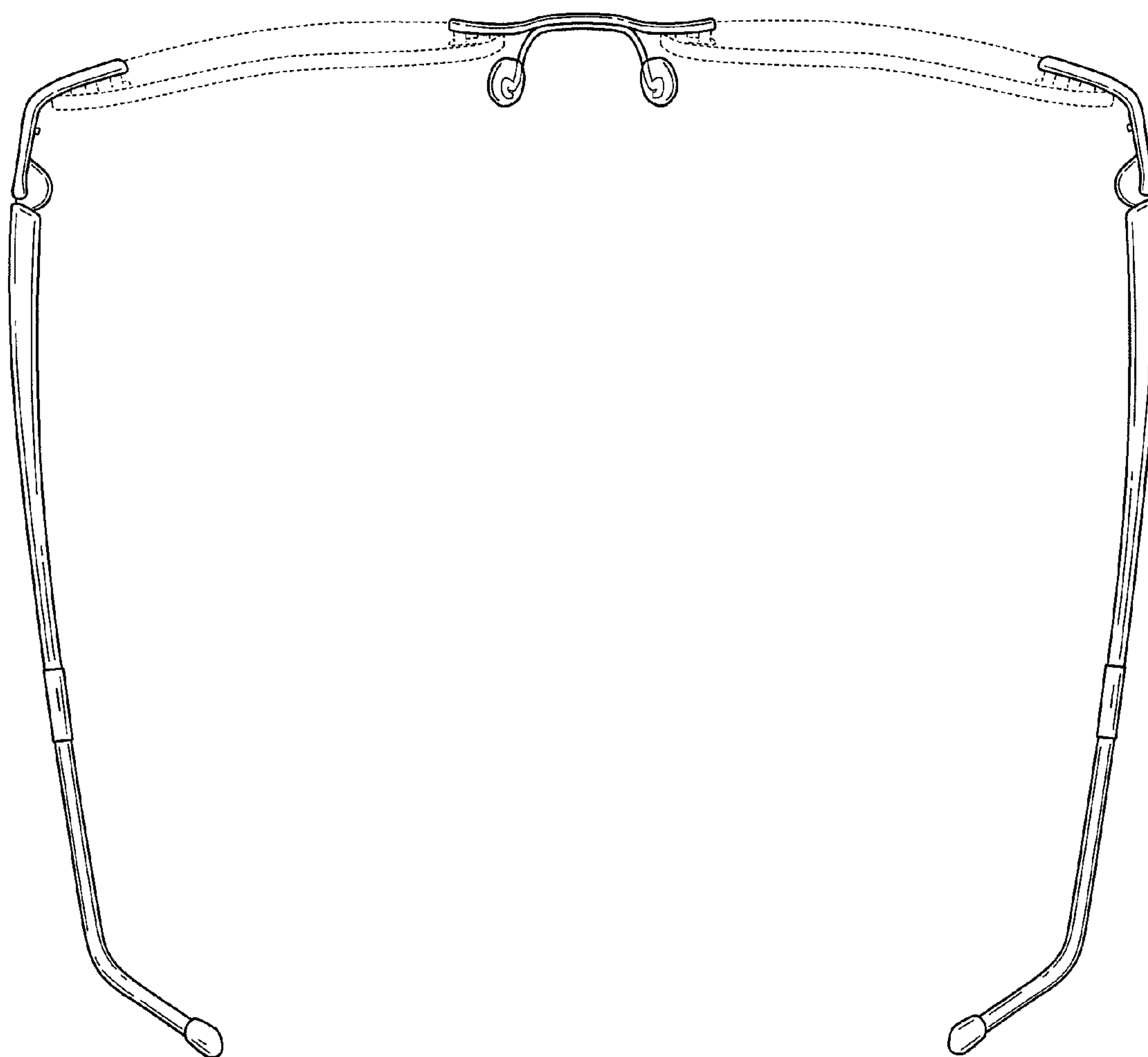


FIG. 12

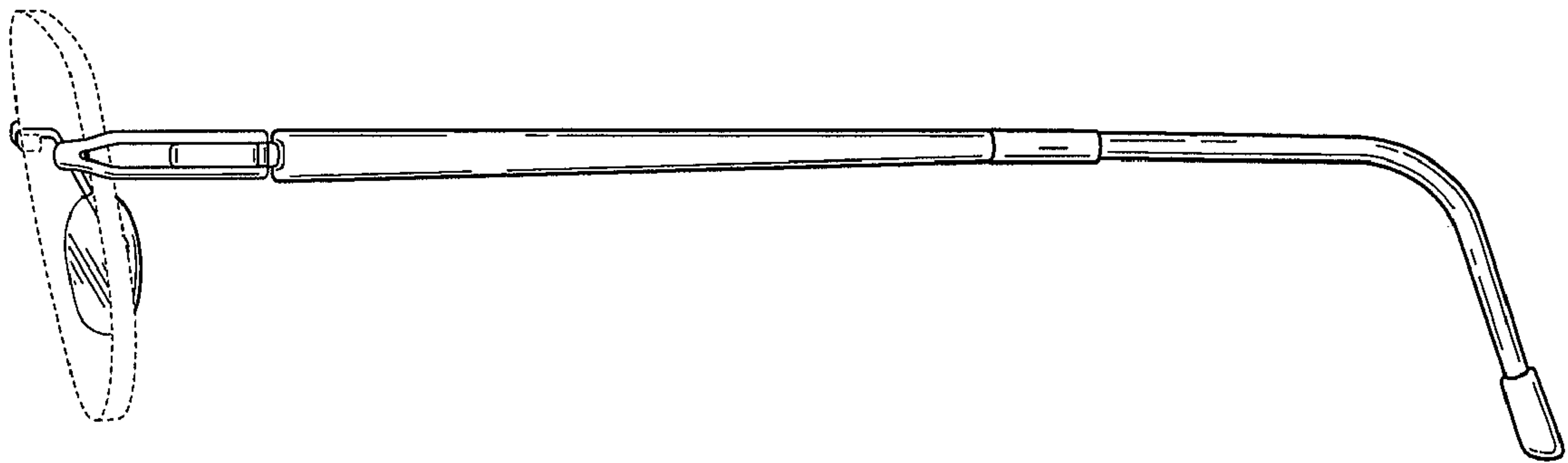


FIG. 13