



US00D597120S

(12) **United States Design Patent**
Oota

(10) **Patent No.:** **US D597,120 S**

(45) **Date of Patent:** **** Jul. 28, 2009**

(54) **PROJECTOR**

D574,876 S * 8/2008 Yano D16/230
D584,757 S * 1/2009 Oota D16/235

(75) Inventor: **Kiyoshi Oota**, Tokyo (JP)

FOREIGN PATENT DOCUMENTS

(73) Assignee: **Sony Corporation**, Tokyo (JP)

JP D1203322 S 4/2004
JP D1273231 S 6/2006
JP D1300784 S 5/2007

(**) Term: **14 Years**

* cited by examiner

(21) Appl. No.: **29/309,092**

Primary Examiner—Ian Simmons

(22) Filed: **Jun. 20, 2008**

Assistant Examiner—Wan Laymon

(30) **Foreign Application Priority Data**

(74) *Attorney, Agent, or Firm*—Rader, Fishman & Grauer, PLLC

May 27, 2008 (JP) D2008-013184

(51) **LOC (9) Cl.** **16-02**

(52) **U.S. Cl.** **D16/235; D16/230**

(58) **Field of Classification Search** D16/205,
D16/208, 221, 225, 230, 235; D21/514;
353/115, 119, 122

See application file for complete search history.

(57) **CLAIM**

The ornamental design for a projector, as shown and described.

(56) **References Cited**

DESCRIPTION

U.S. PATENT DOCUMENTS

D450,077 S * 11/2001 Isono D16/230
D480,410 S * 10/2003 Morishita et al. D16/230
D492,339 S 6/2004 Niitsu
D498,491 S * 11/2004 Ohki et al. D16/235
D545,865 S * 7/2007 Azuma et al. D16/230
D547,352 S 7/2007 Tako
D548,263 S * 8/2007 Nakanishi D16/230
D550,268 S * 9/2007 Naruki D16/230
D552,657 S 10/2007 Oota
D565,631 S * 4/2008 Morishita D16/235

FIG. 1 is a perspective view of a projector showing my new design;

FIG. 2 is a front elevational view thereof;

FIG. 3 is a left side elevational view thereof;

FIG. 4 is a right side elevational view thereof;

FIG. 5 is a top plan view thereof;

FIG. 6 is a bottom plan view thereof; and,

FIG. 7 is a rear elevational view thereof.

The portions indicated in broken lines are for illustrative purposes only and form no part of the claimed design.

1 Claim, 7 Drawing Sheets

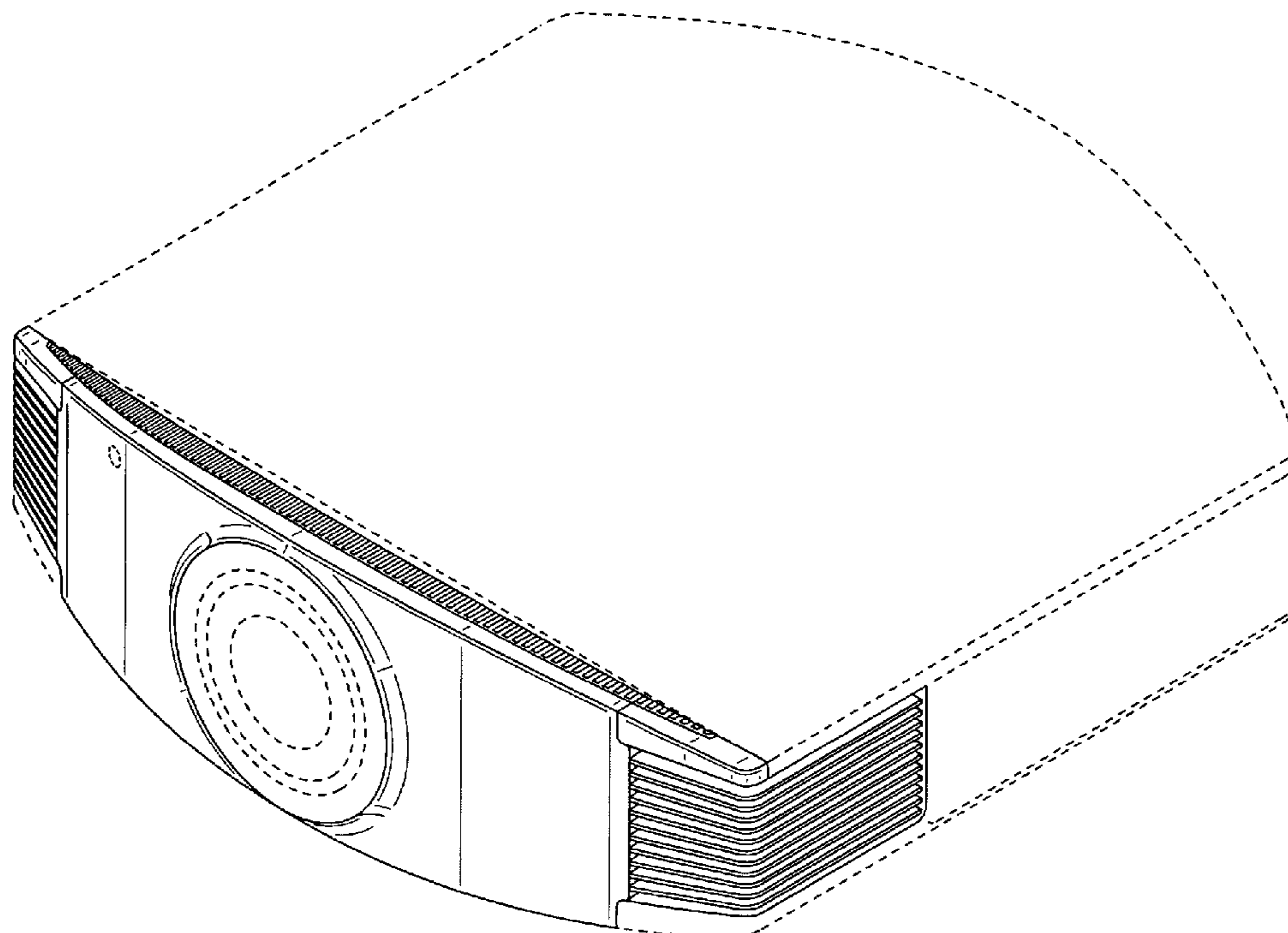


FIG.1

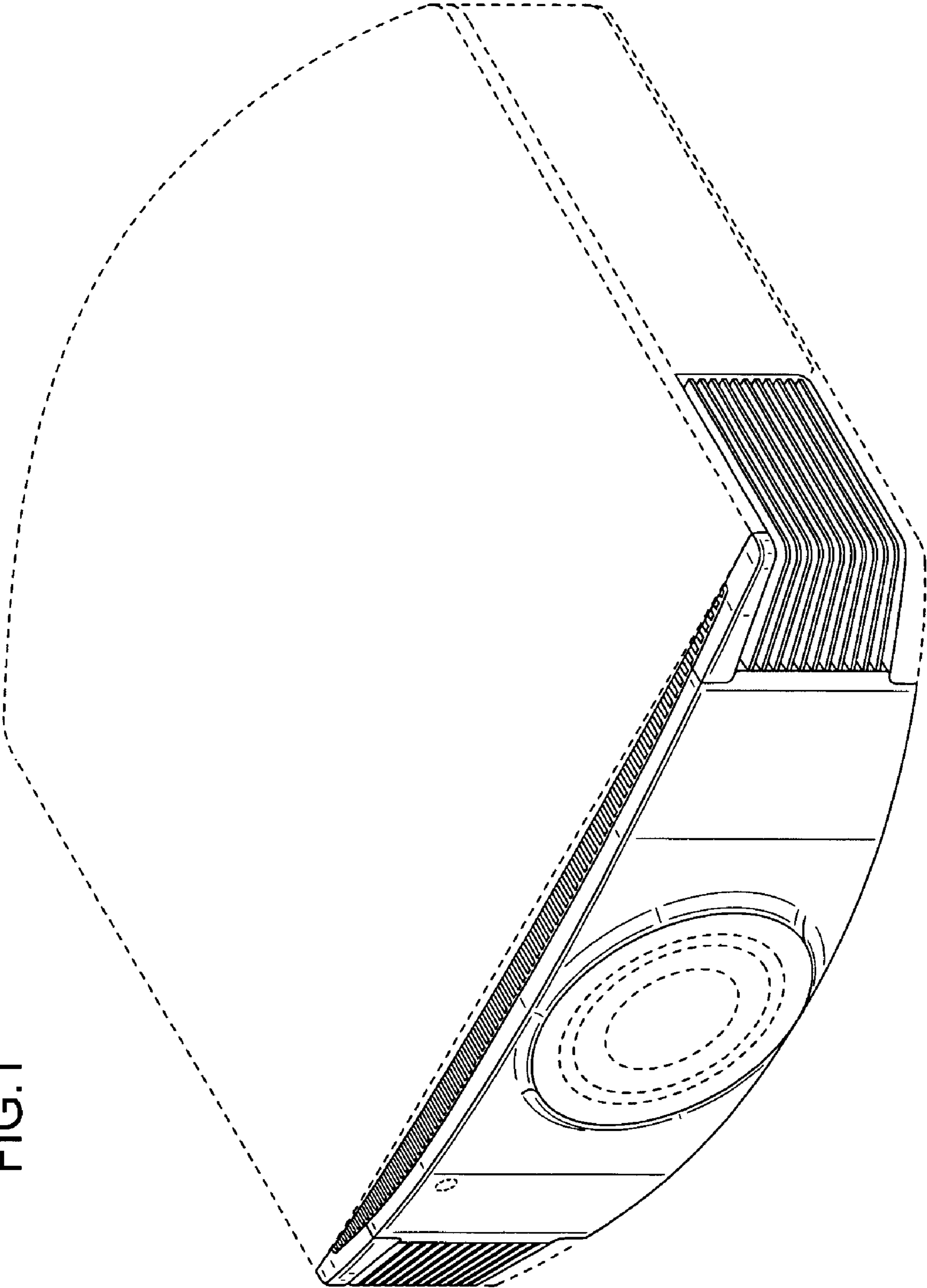


FIG.2

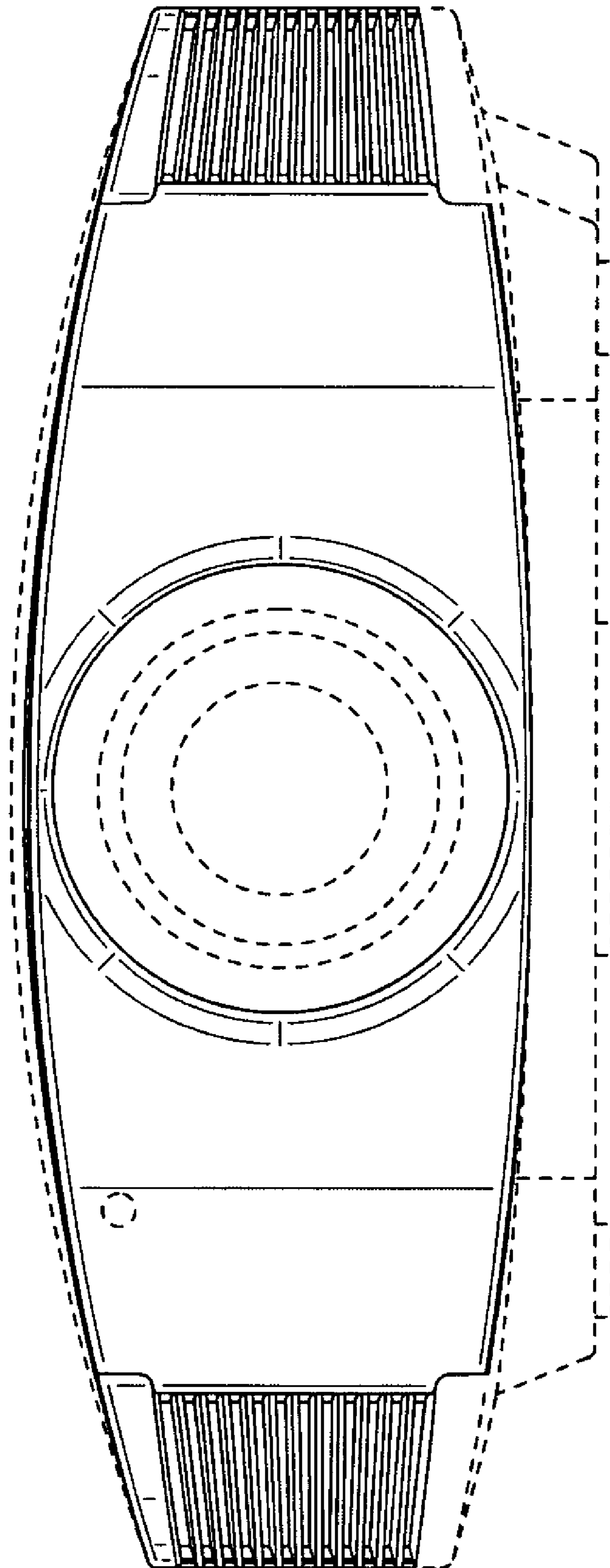


FIG.3

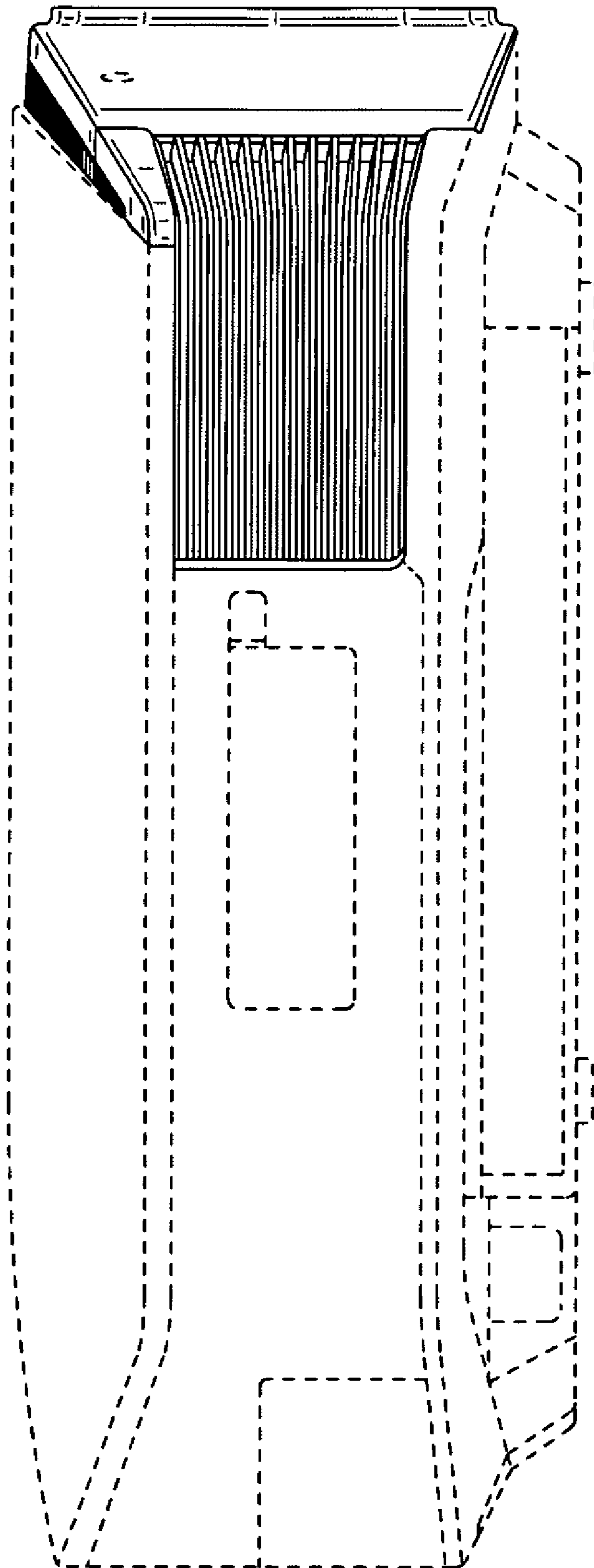


FIG.4

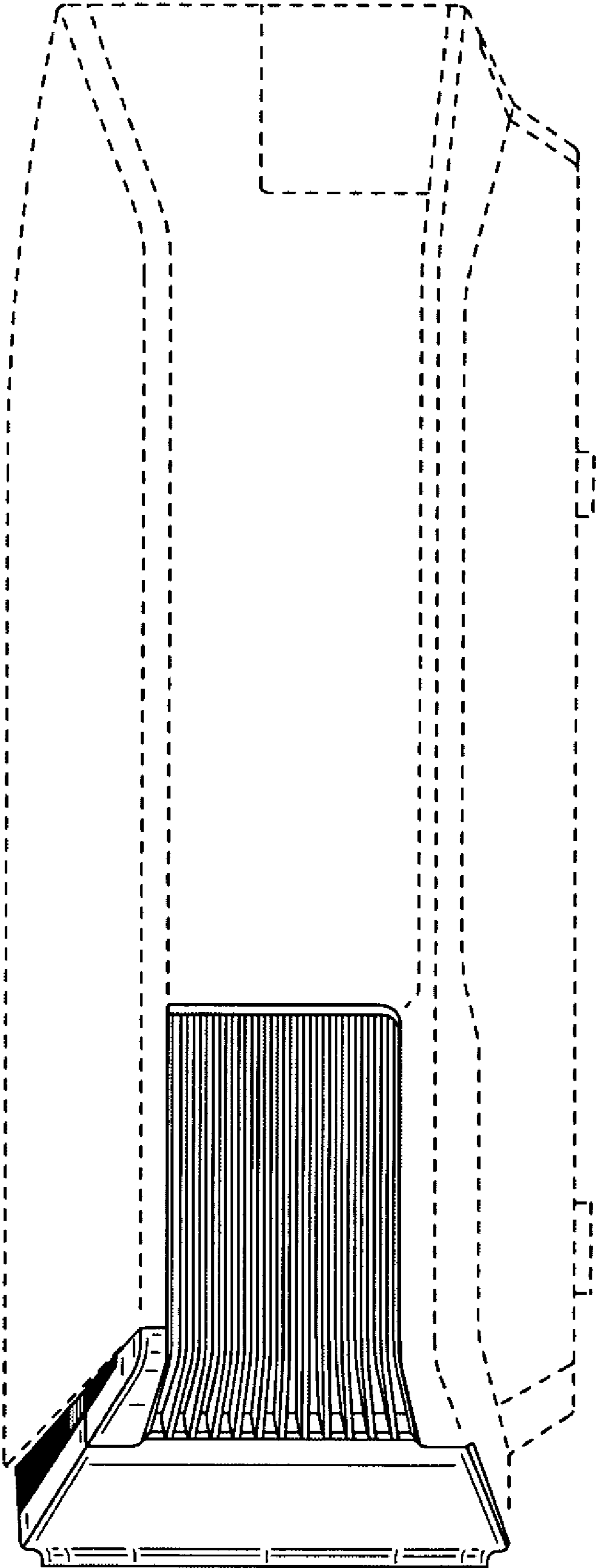


FIG.5

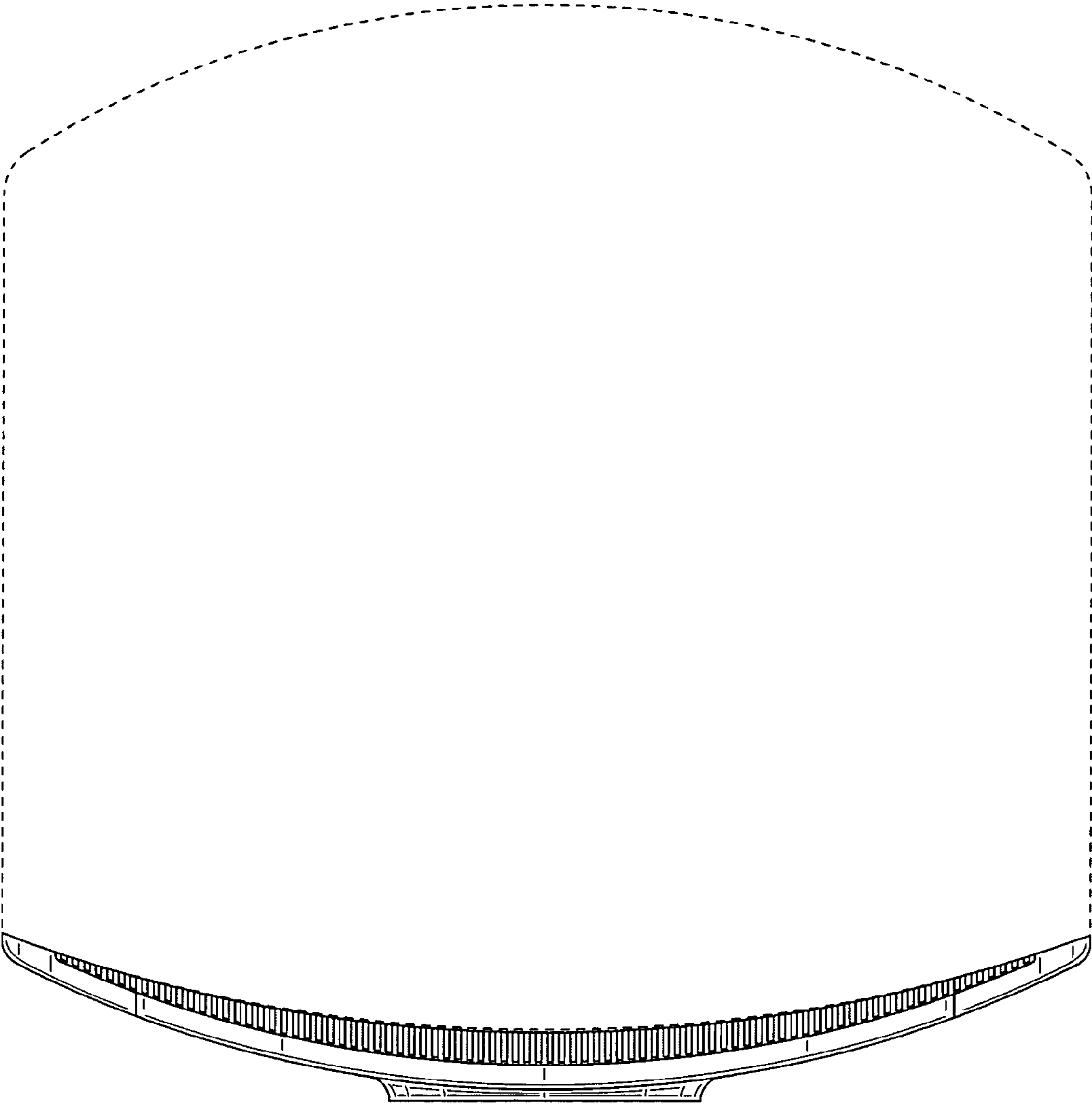


FIG.6

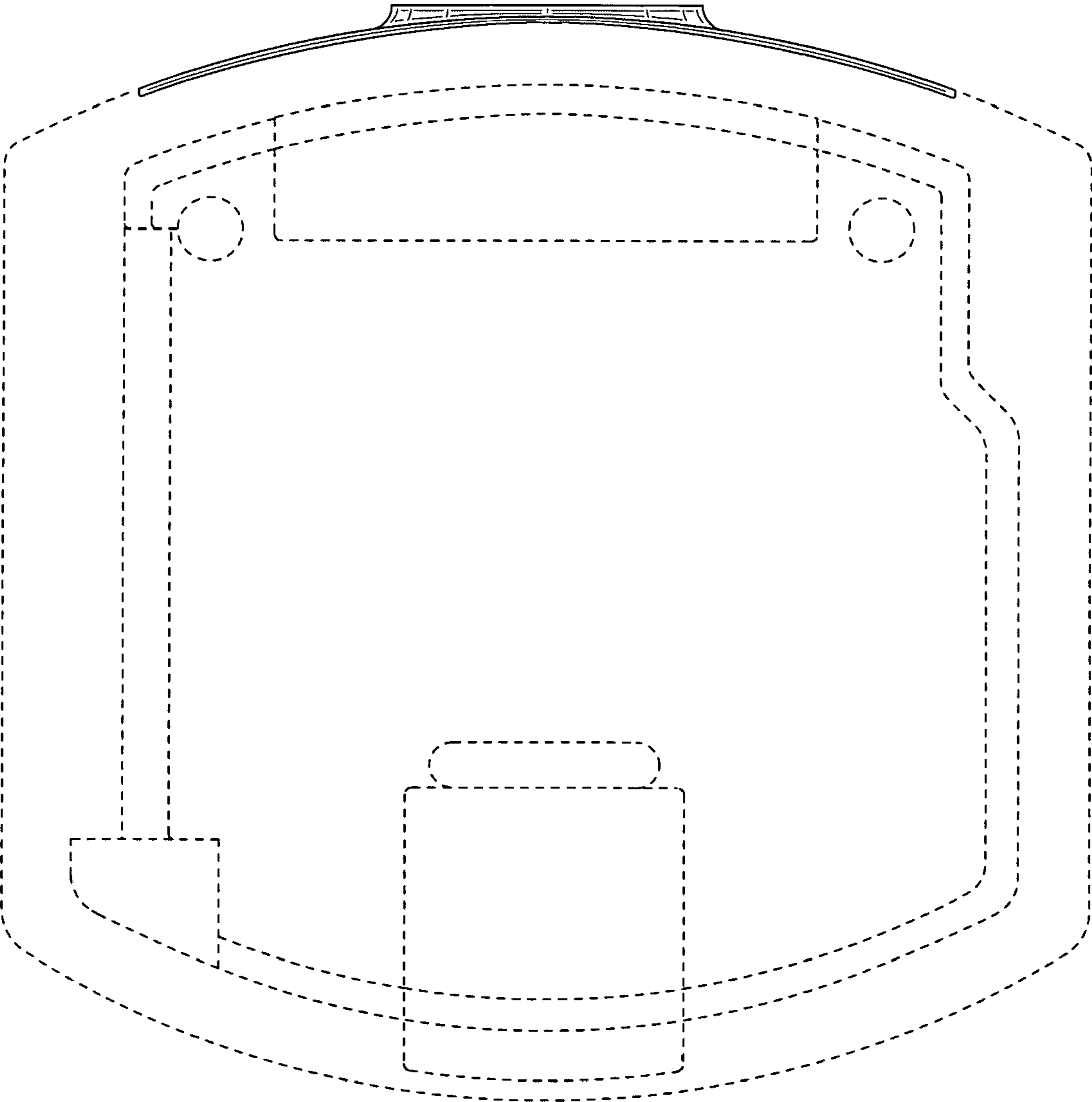


FIG.7

