



US00D597119S

(12) **United States Design Patent**  
**Young et al.**

(10) **Patent No.:** **US D597,119 S**

(45) **Date of Patent:** **\*\* \*Jul. 28, 2009**

(54) **PROJECTOR**

(75) Inventors: **Garrett Young**, Oskaloosa, IA (US);  
**Timothy Patrick Linahon**, Newton, IA (US)

(73) Assignee: **Garrett J. Young**, Sully, IA (US)

(\*) Notice: This patent is subject to a terminal disclaimer.

(\*\*) Term: **14 Years**

(21) Appl. No.: **29/303,935**

(22) Filed: **Feb. 20, 2008**

(51) **LOC (9) Cl.** ..... **16-02**

(52) **U.S. Cl.** ..... **D16/221**

(58) **Field of Classification Search** ..... D16/205,  
D16/208, 221, 222, 225, 230, 231; D21/514;  
353/115, 119, 122

See application file for complete search history.

(56) **References Cited**

**U.S. PATENT DOCUMENTS**

D163,504 S \* 5/1951 Wottring ..... D16/222  
2,916,964 A \* 12/1959 Paulsohn ..... 353/115  
3,448,950 A \* 6/1969 Kluge ..... 353/122  
D320,030 S \* 9/1991 Allen ..... D16/221

D390,247 S \* 2/1998 Shoji et al. .... D16/230  
D514,611 S \* 2/2006 Schoenert et al. .... D16/221  
7,018,053 B2 \* 3/2006 Dwyer et al. .... 353/119  
7,246,908 B2 \* 7/2007 Salvatori et al. .... 353/119

\* cited by examiner

*Primary Examiner*—Adir Aronovich

(74) *Attorney, Agent, or Firm*—Schwegman, Lundberg & Woessner, P.A.

(57) **CLAIM**

The ornamental design for a projector, as shown and described.

**DESCRIPTION**

FIG. 1 is a top, front and right side perspective view of a projector showing our new design;

FIG. 2 is a front elevational view thereof;

FIG. 3 is a rear elevational view thereof;

FIG. 4 is a left side elevational view thereof;

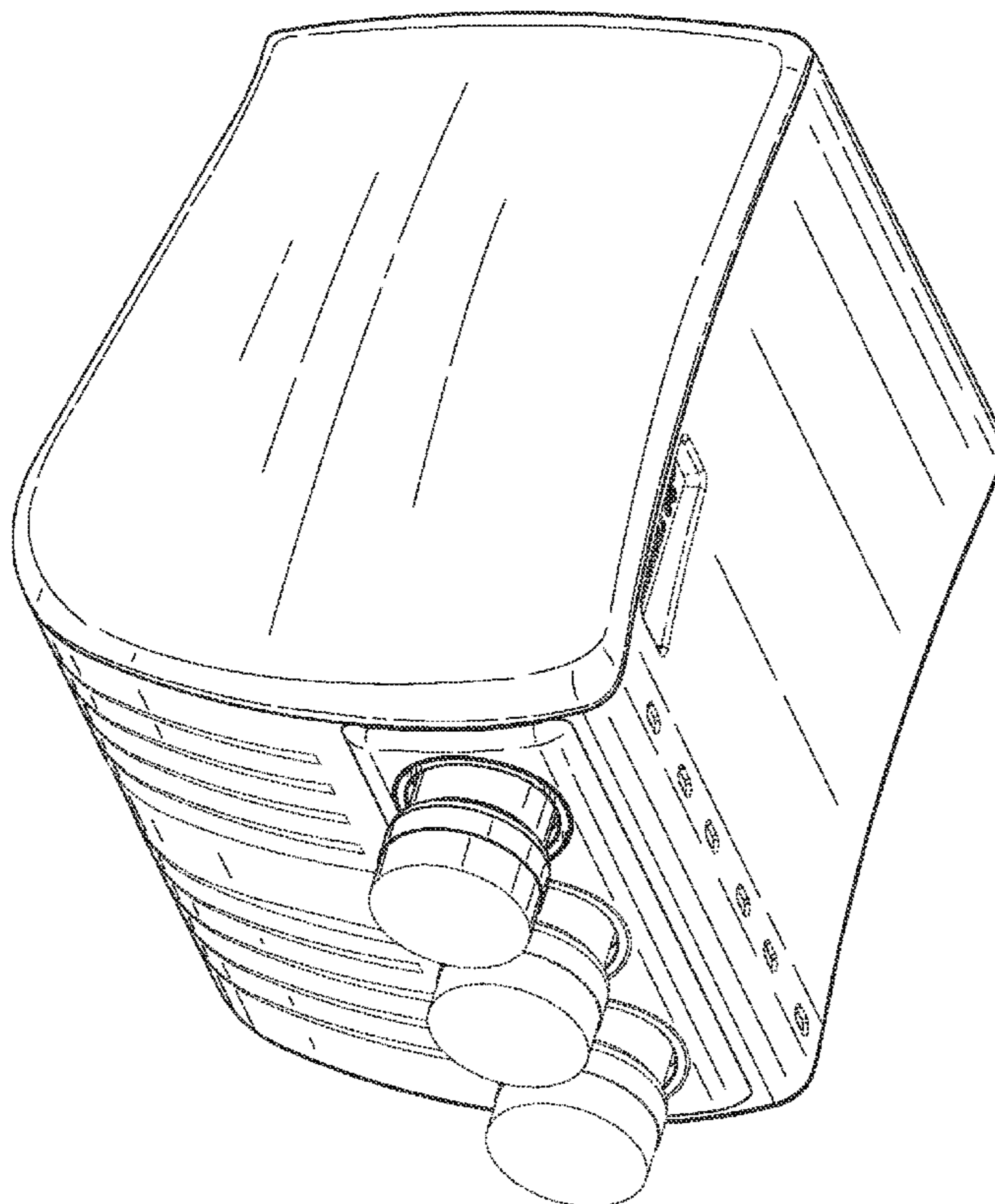
FIG. 5 is a right side elevational view thereof;

FIG. 6 is a top plan view thereof; and,

FIG. 7 is a Bottom plan view thereof.

The broken line showing is for illustrative purposes only and forms no part of the claimed design.

**1 Claim, 7 Drawing Sheets**



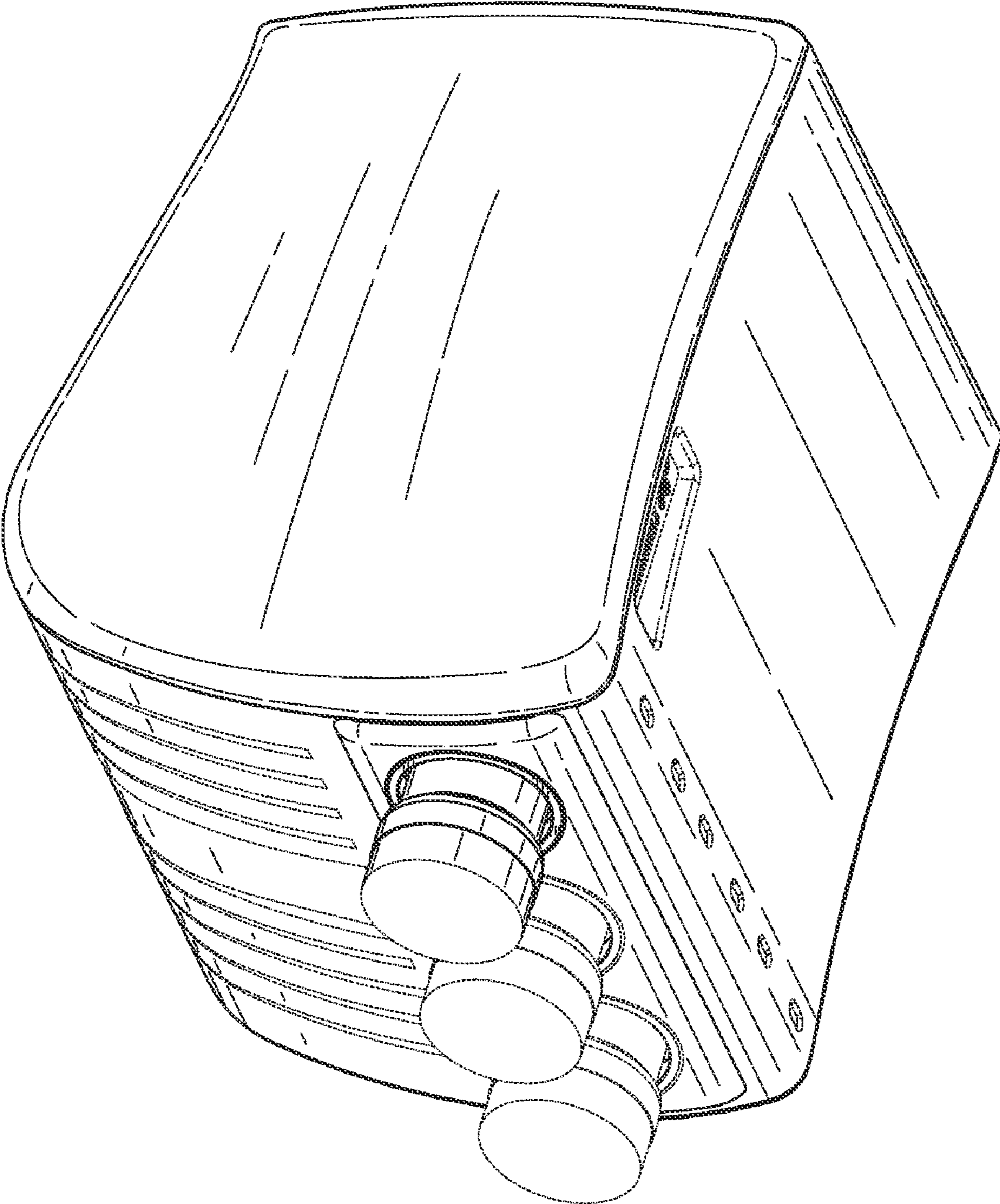


FIG.1

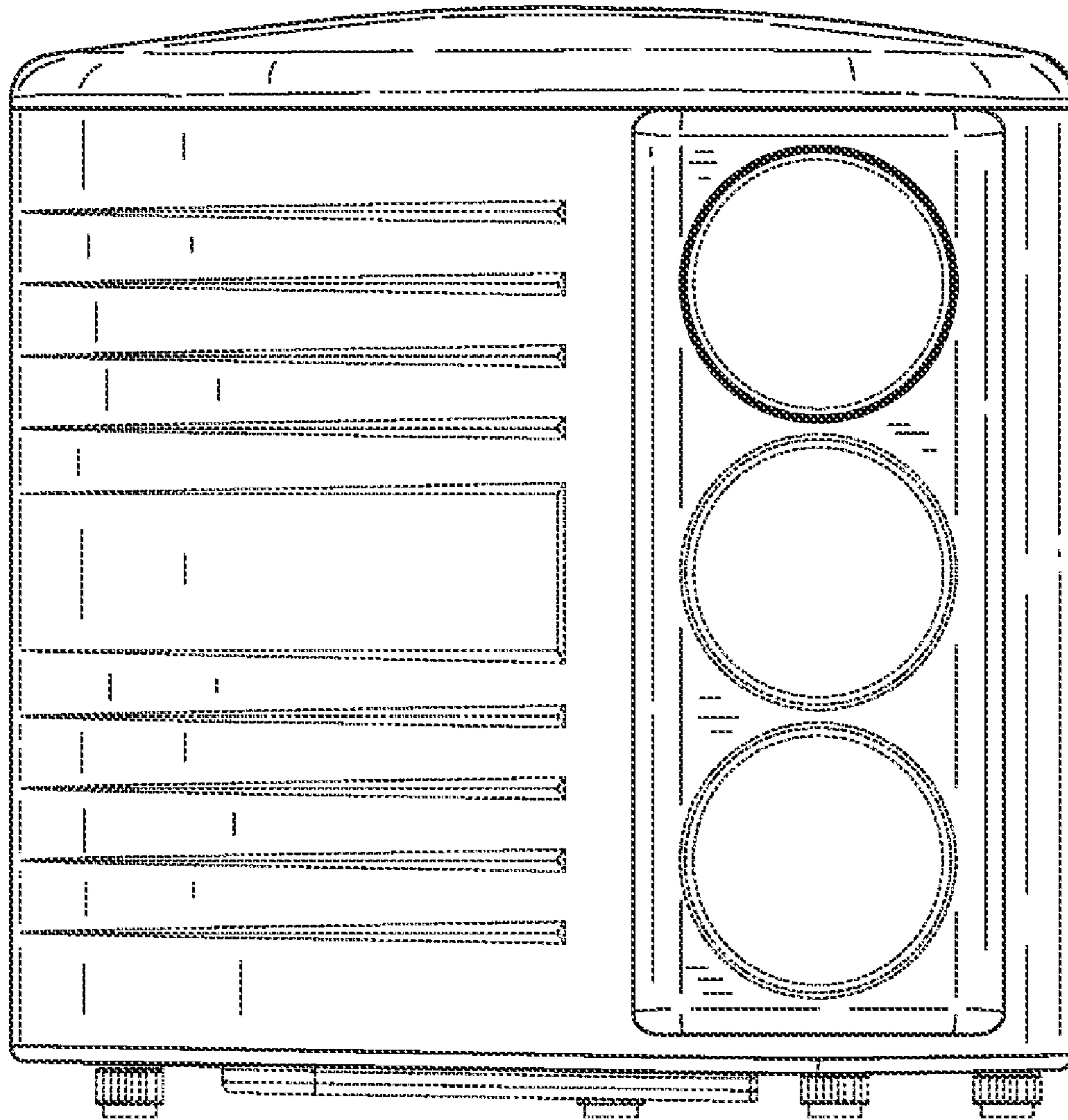


FIG. 2



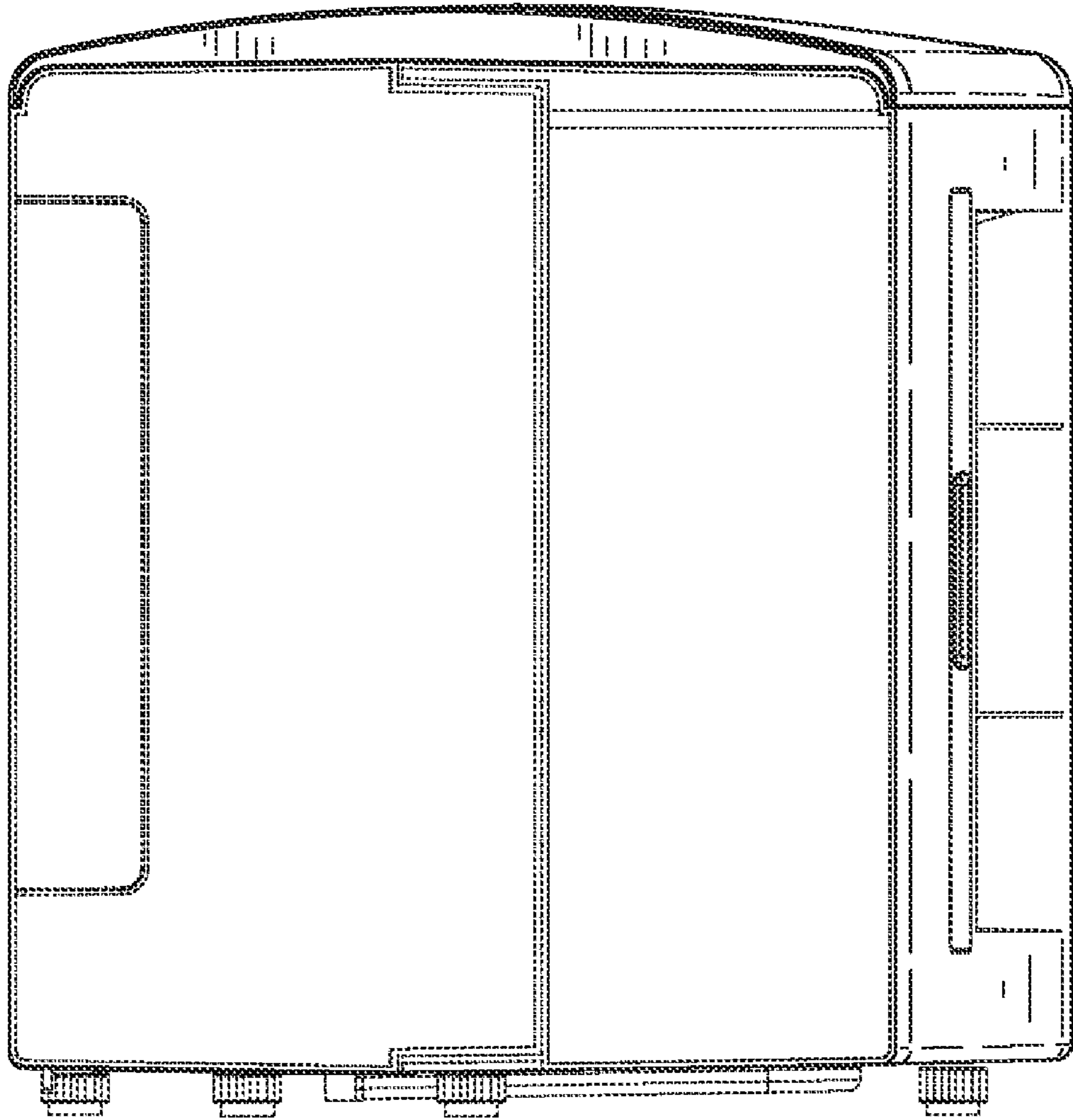


FIG. 3

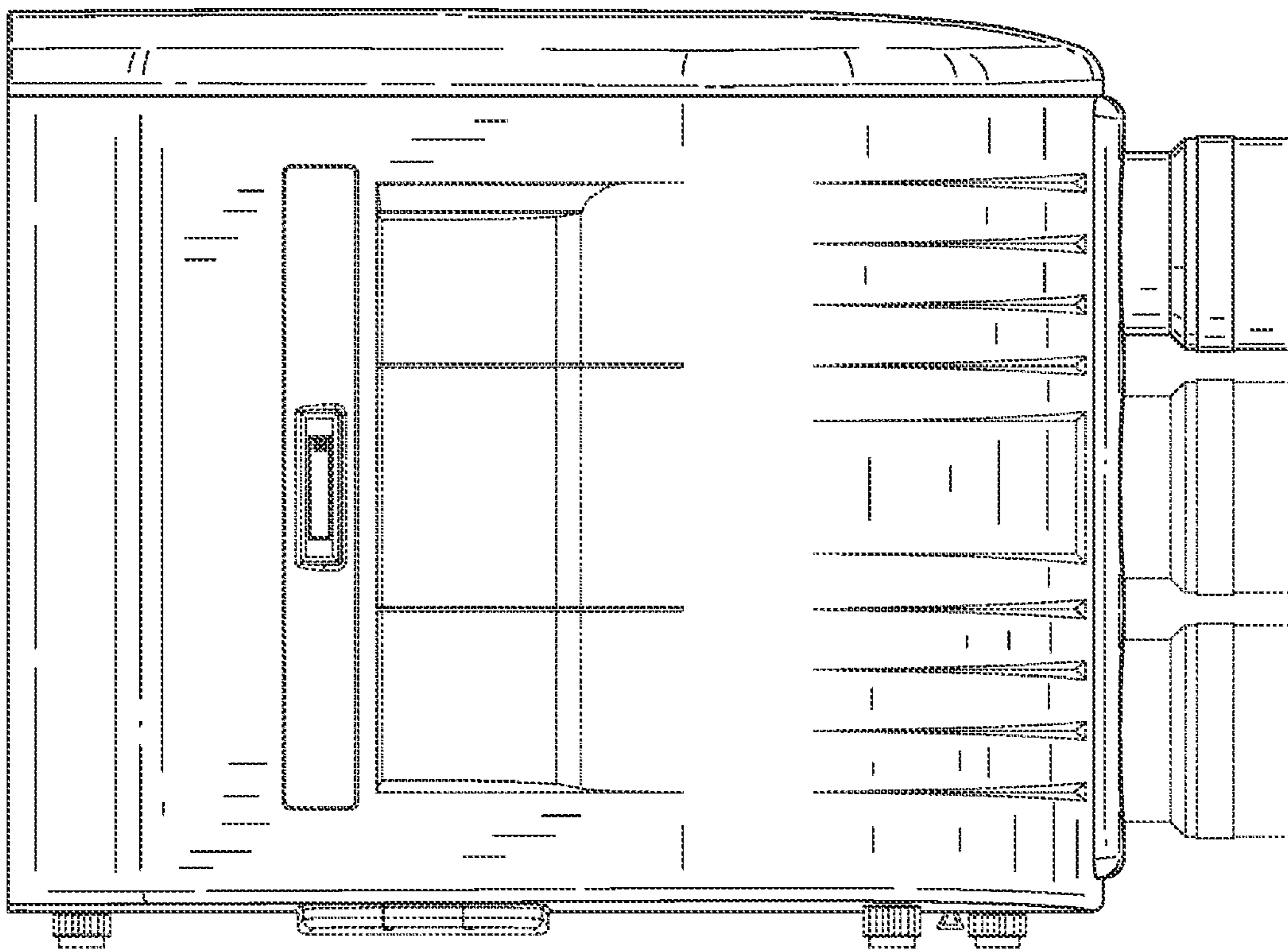


FIG.4

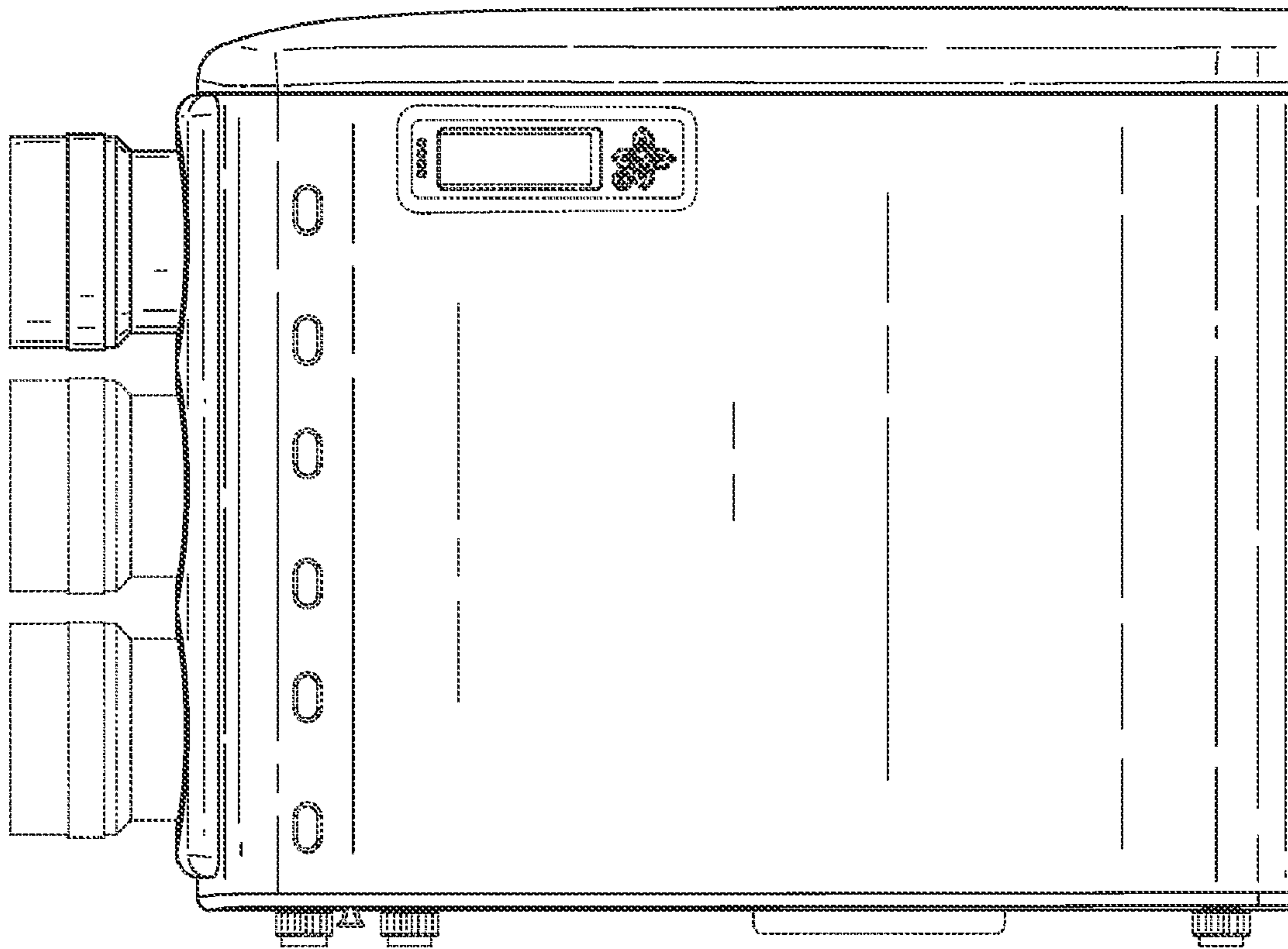


FIG.5

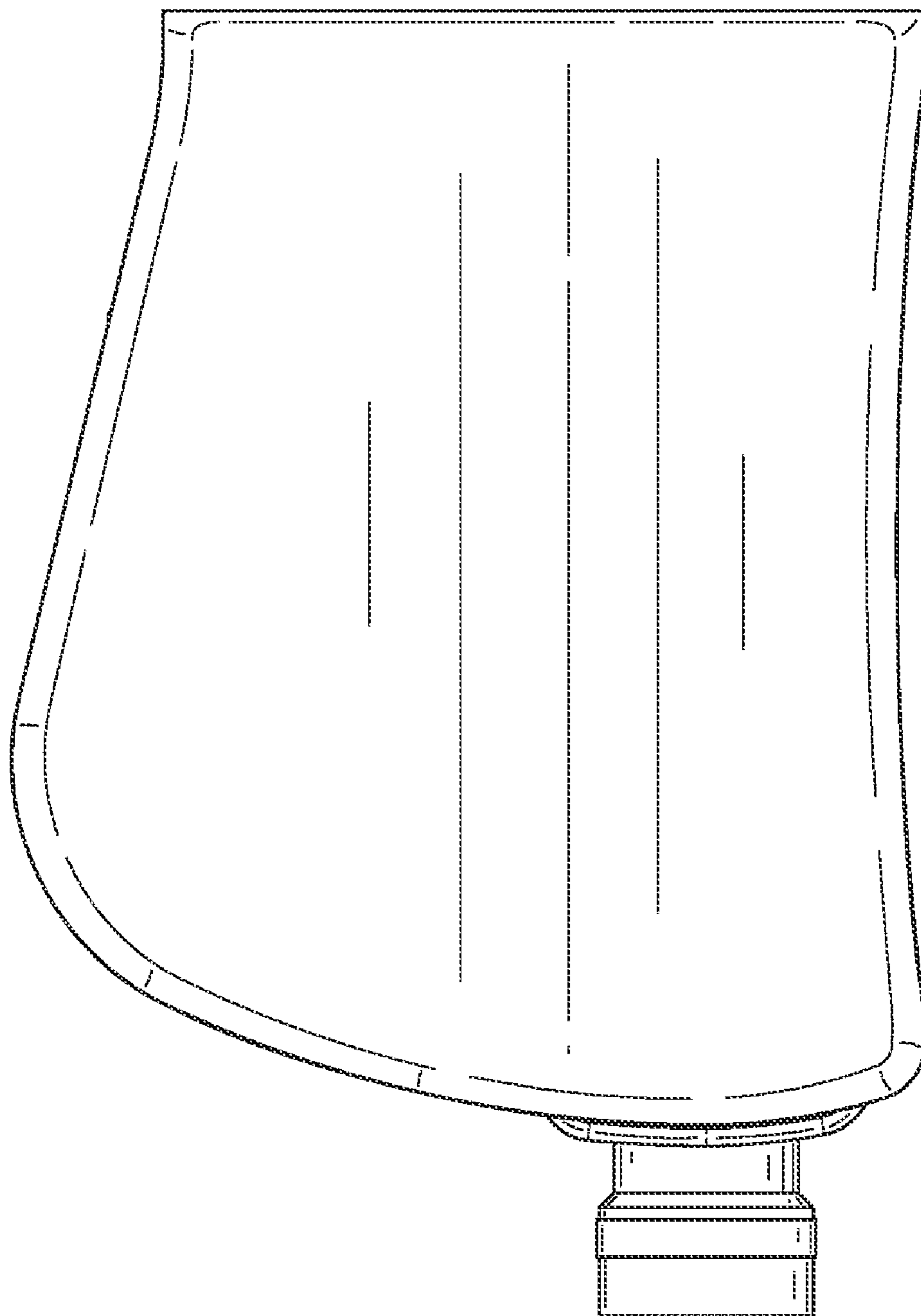


FIG. 6

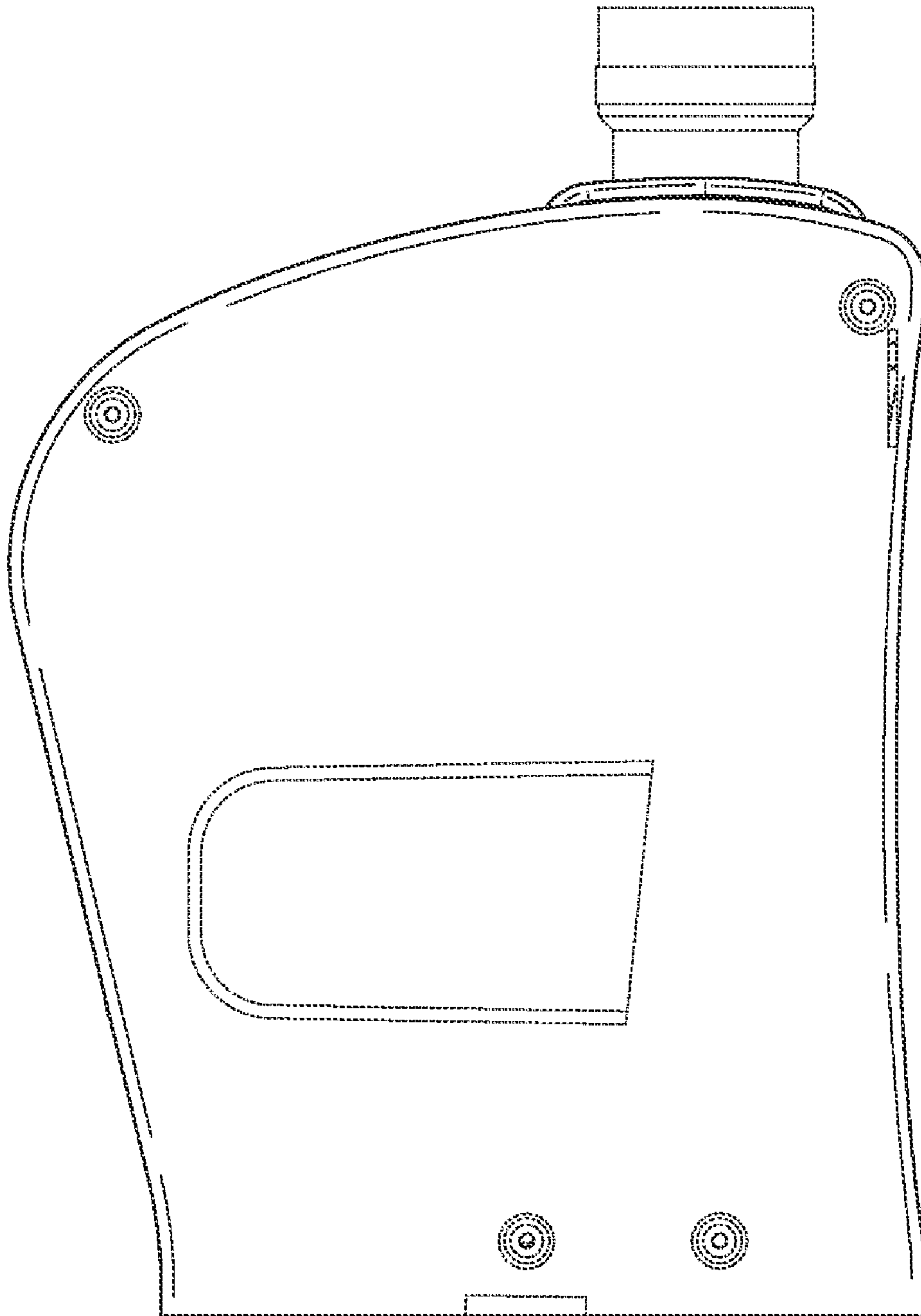


FIG.7