



US00D597118S

(12) **United States Design Patent**
Hibi

(10) **Patent No.:** **US D597,118 S**
(45) **Date of Patent:** **** Jul. 28, 2009**

(54) **CAMERA**

D561,230 S * 2/2008 Song D16/219

(75) Inventor: **Keita Hibi**, Tokyo (JP)

FOREIGN PATENT DOCUMENTS

(73) Assignee: **Sony Corporation**, Tokyo (JP)

JP D1067168 * 4/2000
JP D1286352 S 11/2006
KR 30-0475740 S 1/2008

(**) Term: **14 Years**

OTHER PUBLICATIONS

(21) Appl. No.: **29/300,120**

Web page, "DSC-T20" http://news.sel.sony.com/en/image_library/consumer/digital_imaging/digital_cameras/cyber-shot/detail?asset_id=28127, 1 sheet, Sony (2007).

(22) Filed: **Feb. 21, 2008**

(30) **Foreign Application Priority Data**

* cited by examiner

Sep. 13, 2007 (JP) D2007-024908

Primary Examiner—Adir Aronovich

(51) **LOC (9) Cl.** **16-05**

(74) *Attorney, Agent, or Firm*—Rader, Fishman & Grauer, PLLC

(52) **U.S. Cl.** **D16/219**

(58) **Field of Classification Search** D16/200–204,
D16/208, 211–213, 218, 219; 348/373–376;
358/909.1; 396/349, 448

(57) **CLAIM**

See application file for complete search history.

The ornamental design for a camera, as shown and described.

(56) **References Cited**

DESCRIPTION

U.S. PATENT DOCUMENTS

FIG. 1 is a perspective view of a camera showing my new design;

D496,678 S 9/2004 Kawase
D508,711 S 8/2005 Suzuki
D519,539 S 4/2006 Takagi
D536,721 S * 2/2007 Miyashita D16/219
D542,322 S 5/2007 Miyashita
D542,324 S * 5/2007 Takagi D16/219
D543,228 S * 5/2007 Miyashita D16/219
D559,294 S * 1/2008 Hibi D16/219

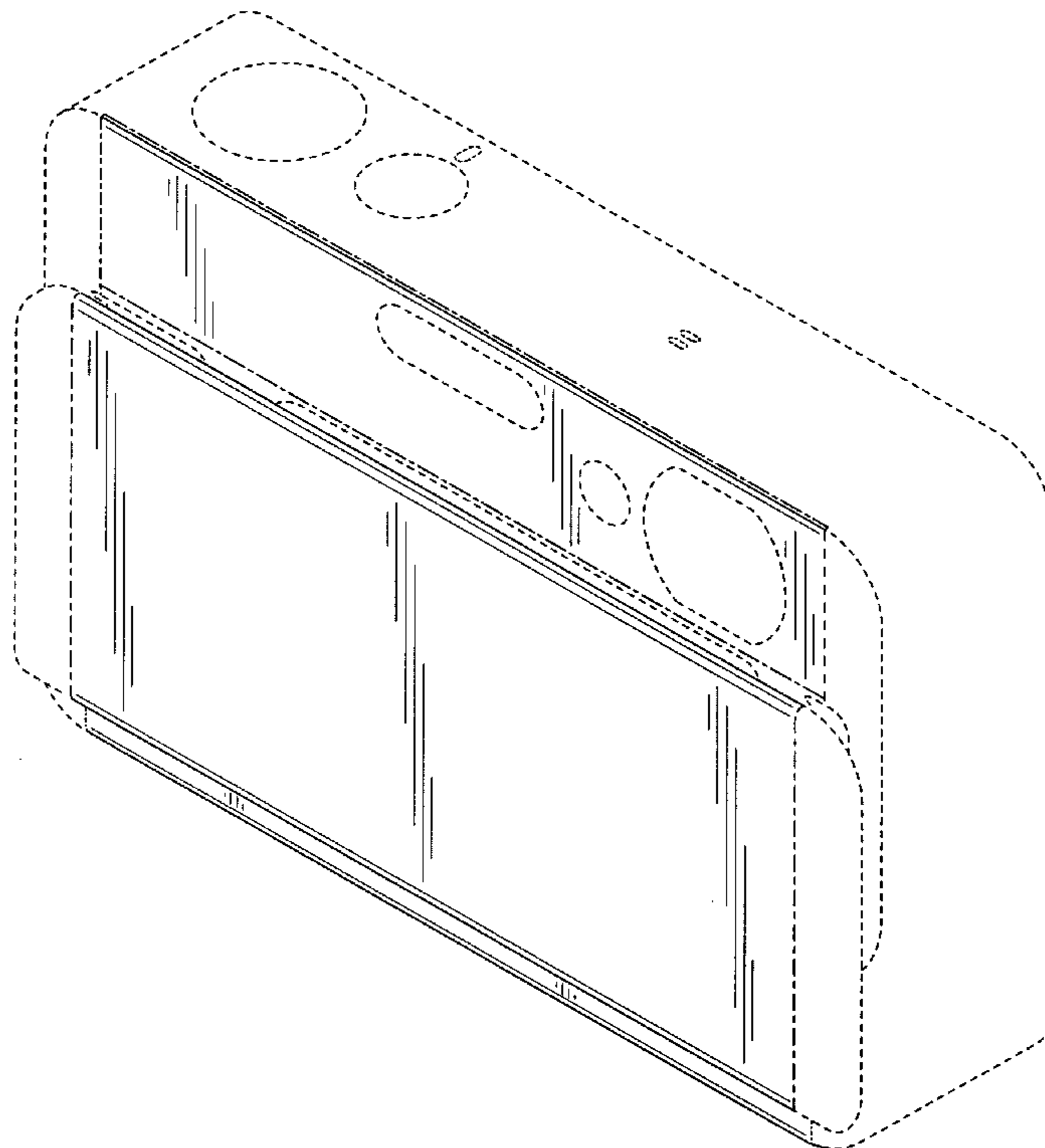
FIG. 2 is a front elevational view thereof;

FIG. 3 is a top plan view thereof; and,

FIG. 4 is a bottom plan view thereof.

Portions that are shown in broken lines are illustrative purposes only and form no part of the claimed design.

1 Claim, 4 Drawing Sheets



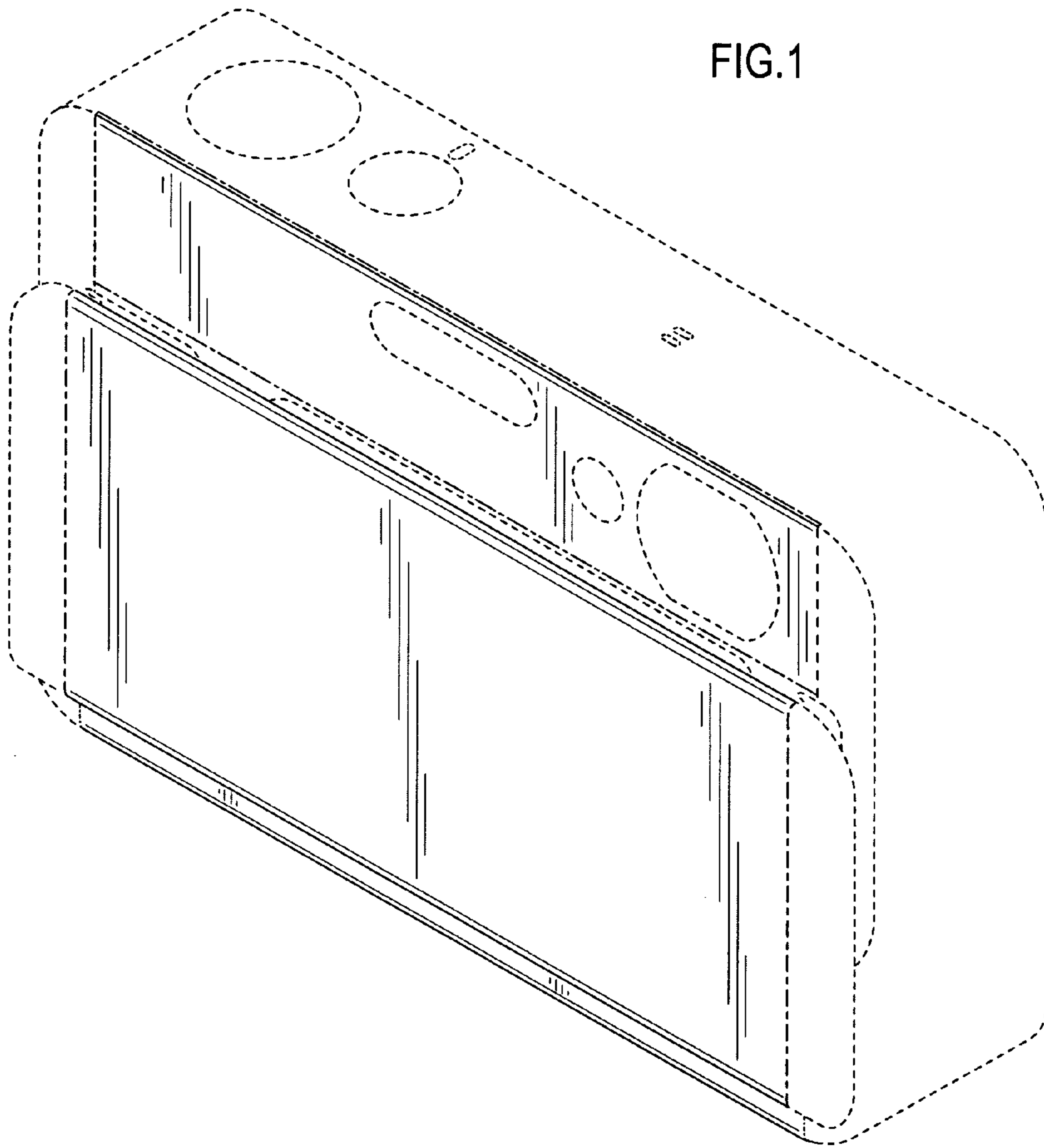


FIG.2

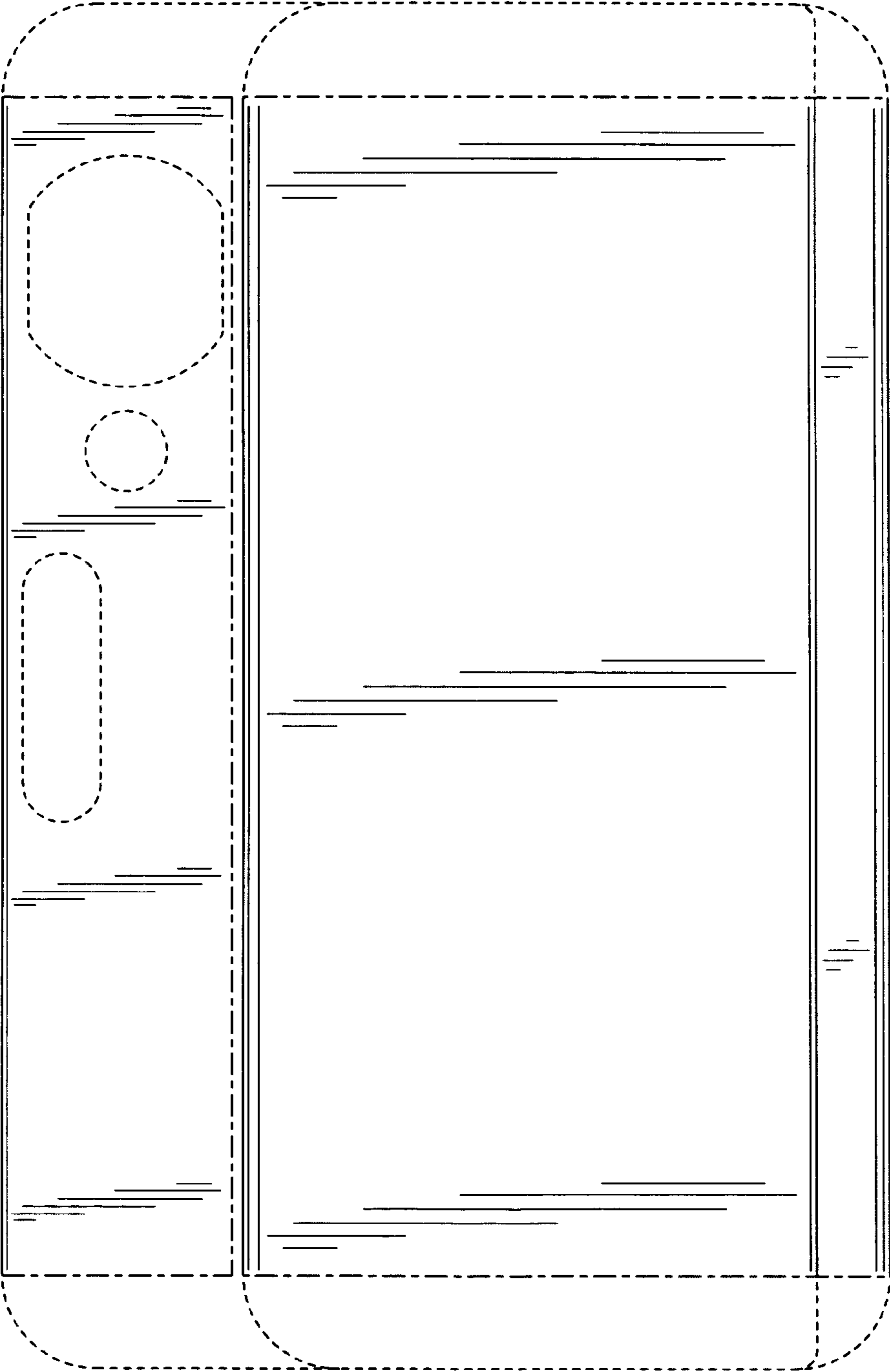


FIG.3

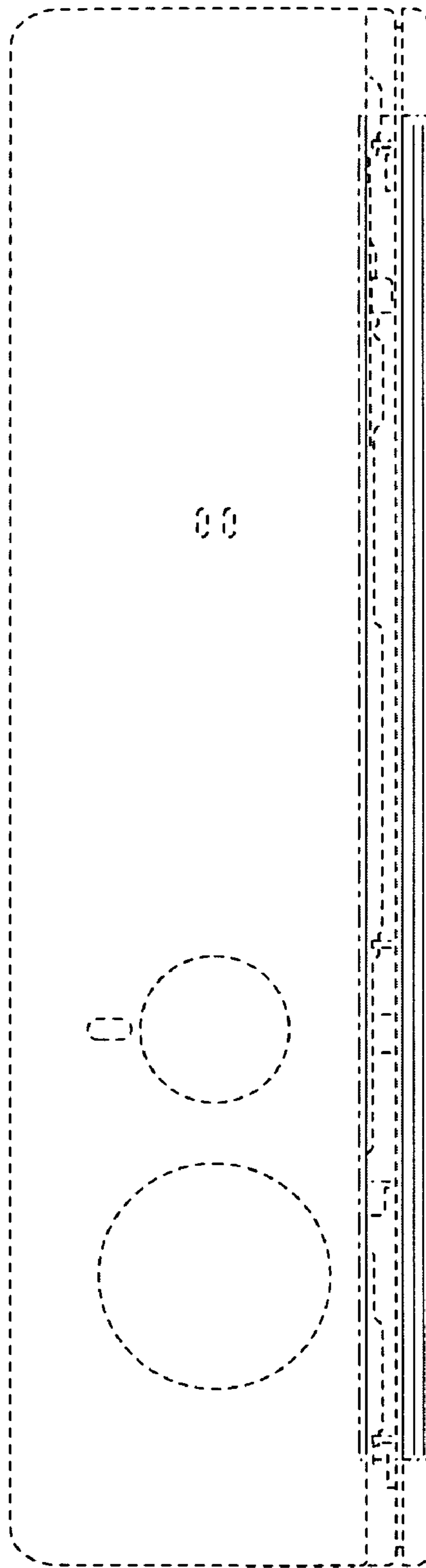


FIG.4

