



US00D597117S

(12) **United States Design Patent**  
**Yamane et al.**

(10) **Patent No.:** **US D597,117 S**  
(45) **Date of Patent:** **\*\* Jul. 28, 2009**

(54) **SURVEILLANCE TELEVISION CAMERA**

2006/0050150 A1\* 3/2006 Yamane ..... 348/151

(75) Inventors: **Akira Yamane**, Nagoya (JP); **Eiji Togawa**, Nagoya (JP); **Tetsuro Kato**, Nagoya (JP)

FOREIGN PATENT DOCUMENTS

JP 1228000 1/2005

\* cited by examiner

(73) Assignee: **Elmo Co., Ltd.**, Aichi (JP)

*Primary Examiner*—Adir Aronovich

(\*\*) Term: **14 Years**

(74) *Attorney, Agent, or Firm*—William L. Androlia; H. Henry Koda

(21) Appl. No.: **29/289,383**

(57) **CLAIM**

(22) Filed: **Jul. 18, 2007**

The ornamental design for a surveillance television camera, as shown and described.

(30) **Foreign Application Priority Data**

**DESCRIPTION**

Jan. 19, 2007 (JP) ..... 2007-000940

(51) **LOC (9) Cl.** ..... **16-01**

FIG. 1 is a front elevational view of the surveillance television camera showing our new design;

(52) **U.S. Cl.** ..... **D16/203**

FIG. 2 is a rear elevational view thereof;

(58) **Field of Classification Search** ..... D16/200–204,  
D16/218, 219; 348/143, 151, 373–376; 396/427,  
396/535–541

FIG. 3 is a top plan view thereof;

See application file for complete search history.

FIG. 4 is a bottom plan view thereof;

FIG. 5 is a right side elevational view thereof;

(56) **References Cited**

U.S. PATENT DOCUMENTS

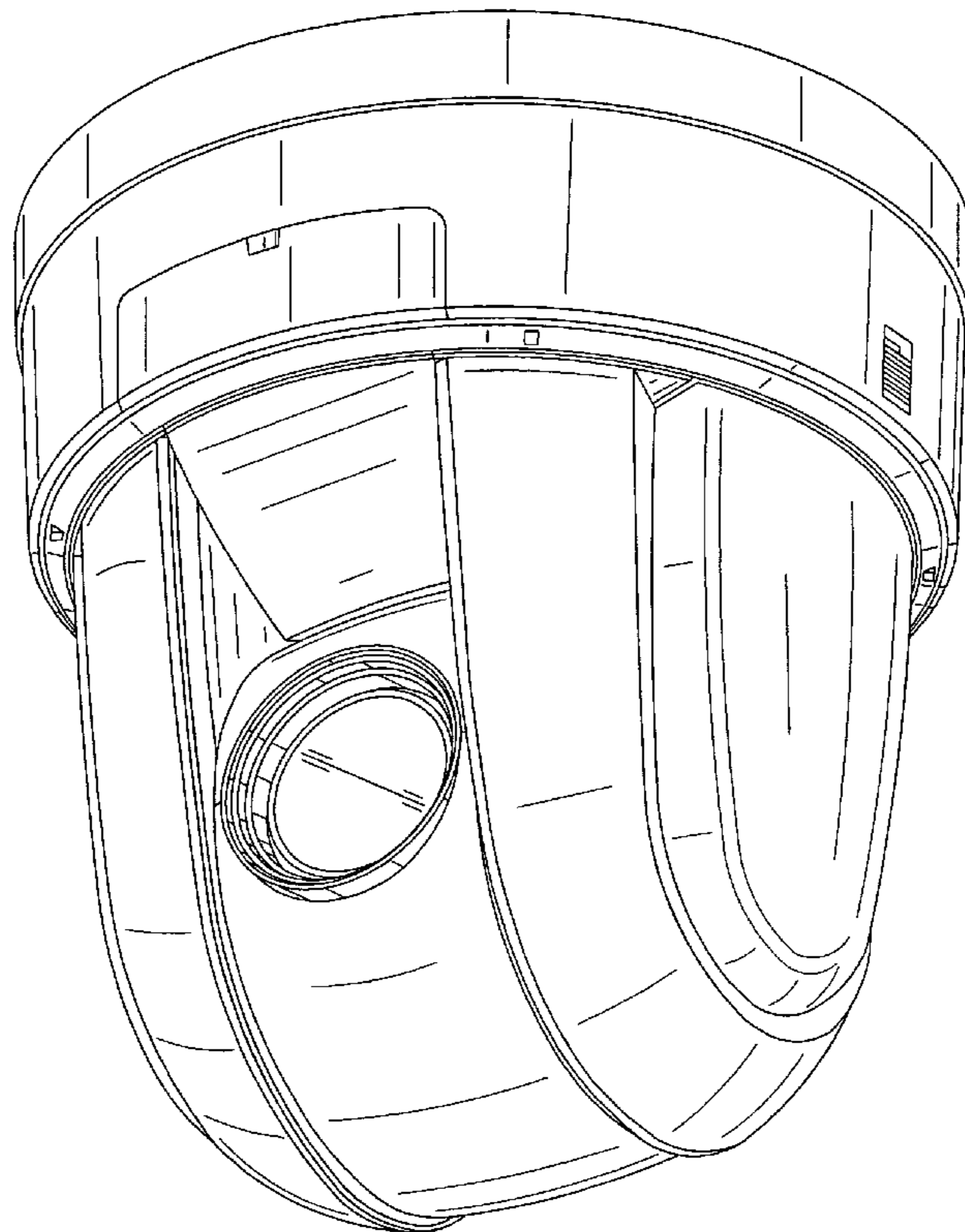
6,268,882 B1 \* 7/2001 Elberbaum ..... 348/151  
D543,566 S \* 5/2007 Kato et al. .... D16/203  
D543,567 S \* 5/2007 Kato et al. .... D16/203  
7,217,045 B2 \* 5/2007 Jones ..... 396/427  
D552,650 S \* 10/2007 Yamakawa et al. .... D16/203  
D562,870 S \* 2/2008 Komatsu et al. .... D16/203

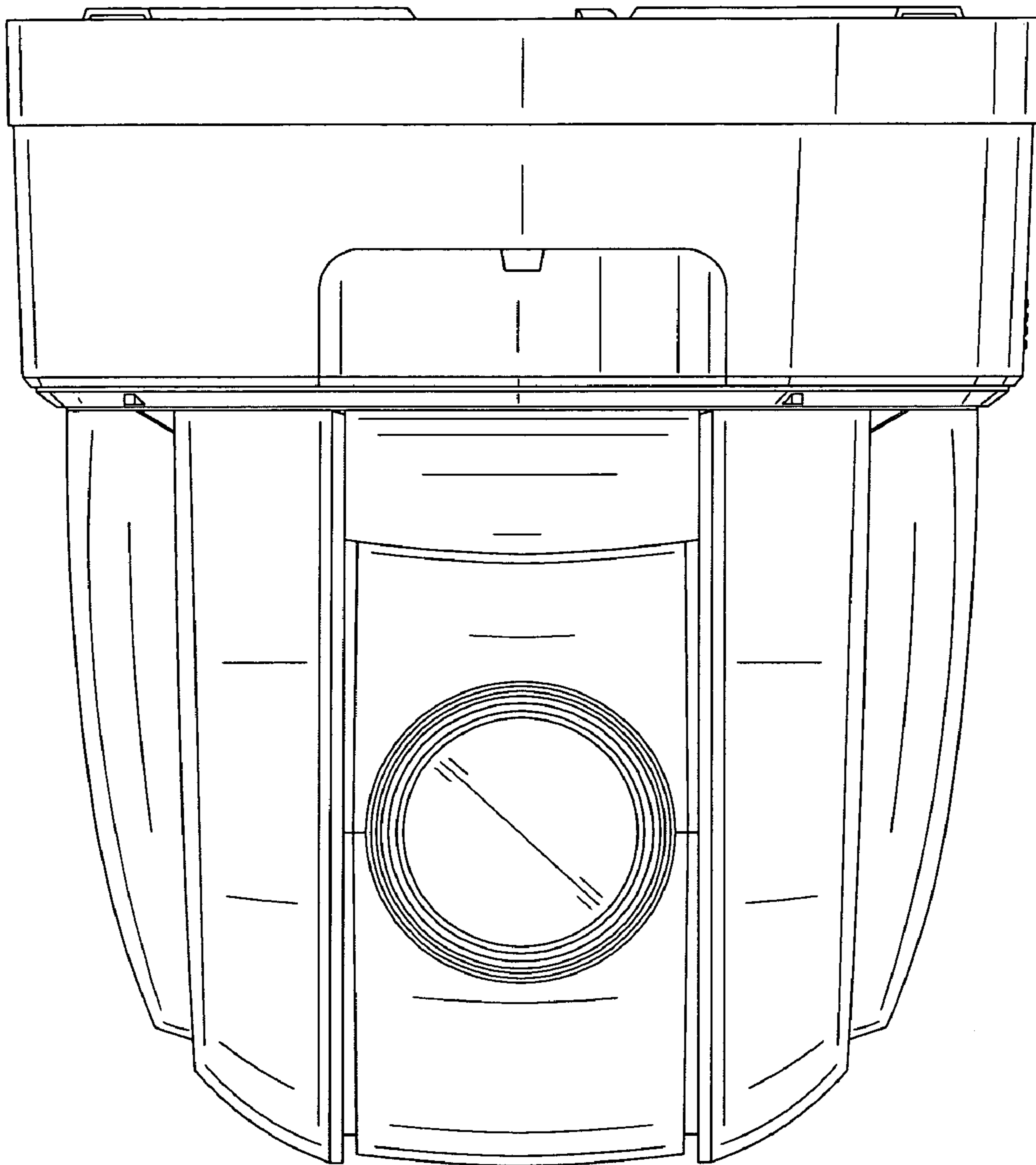
FIG. 6 is a left side elevational view thereof; and,

FIG. 7 is a perspective view taken from the front, bottom and right side of the surveillance television camera.

The portions of the camera in broken lines are shown for illustrative purposes only and form no part of the claimed design.

**1 Claim, 7 Drawing Sheets**





**FIG. 1**

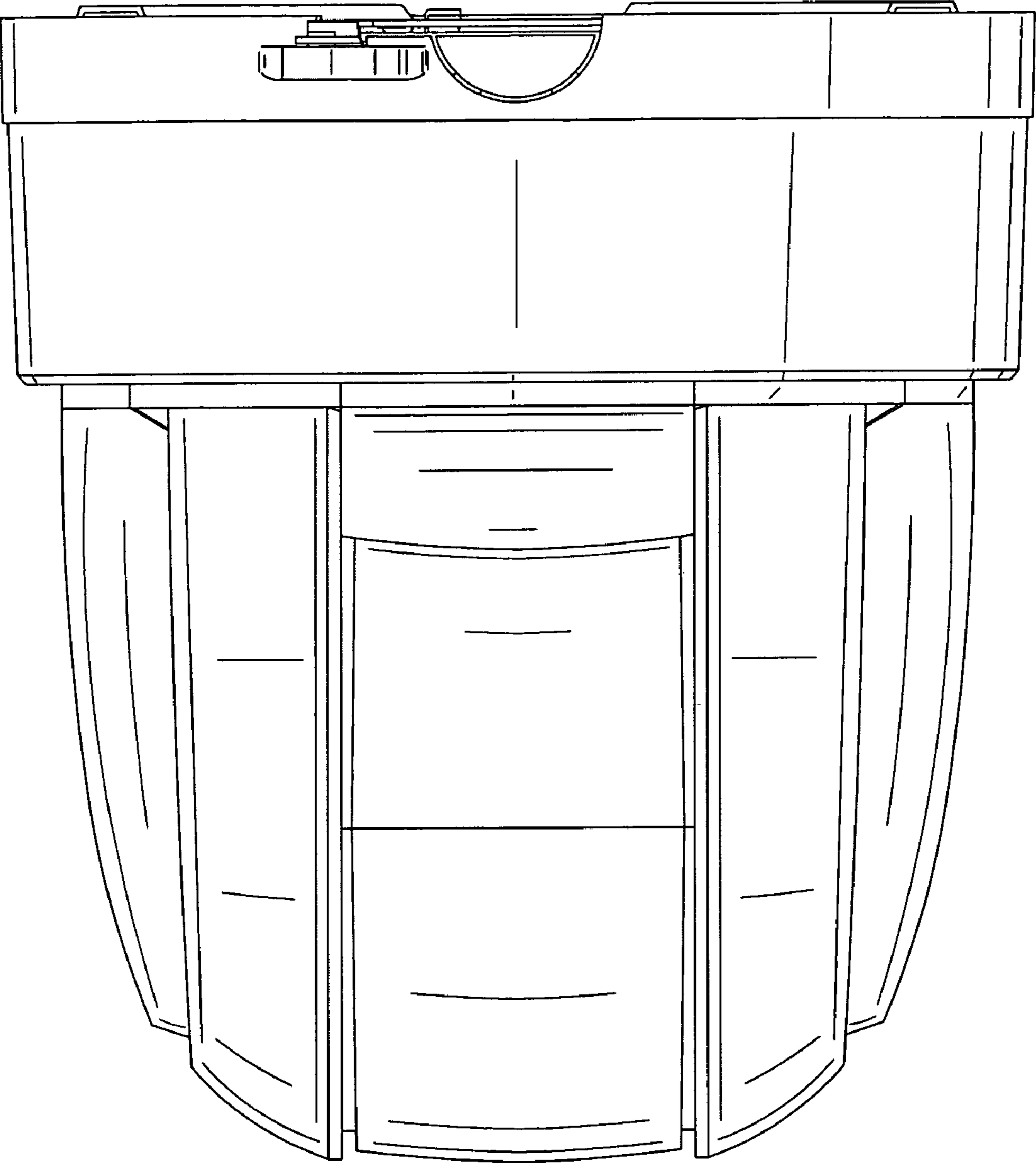
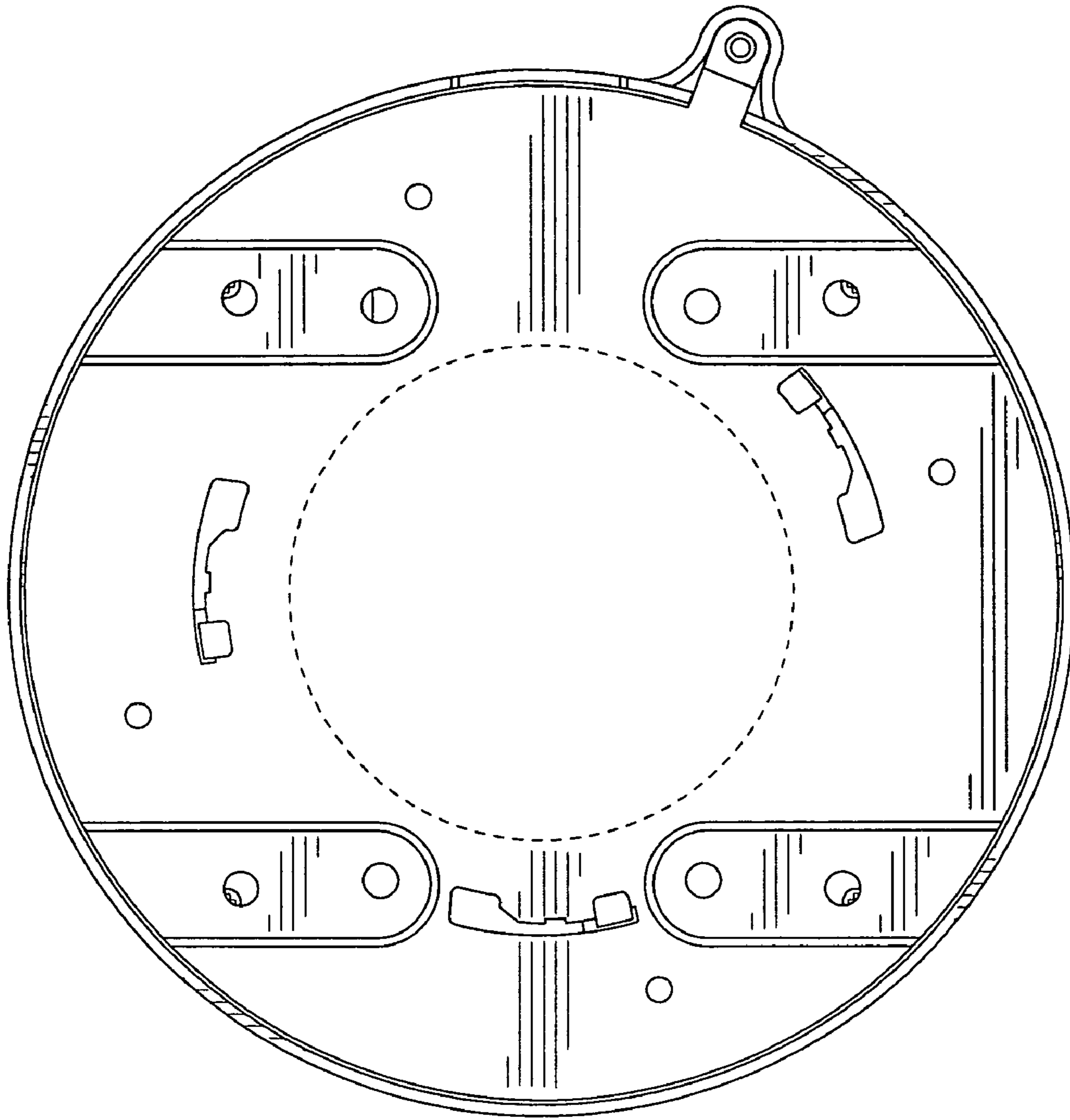


FIG. 2



**FIG. 3**

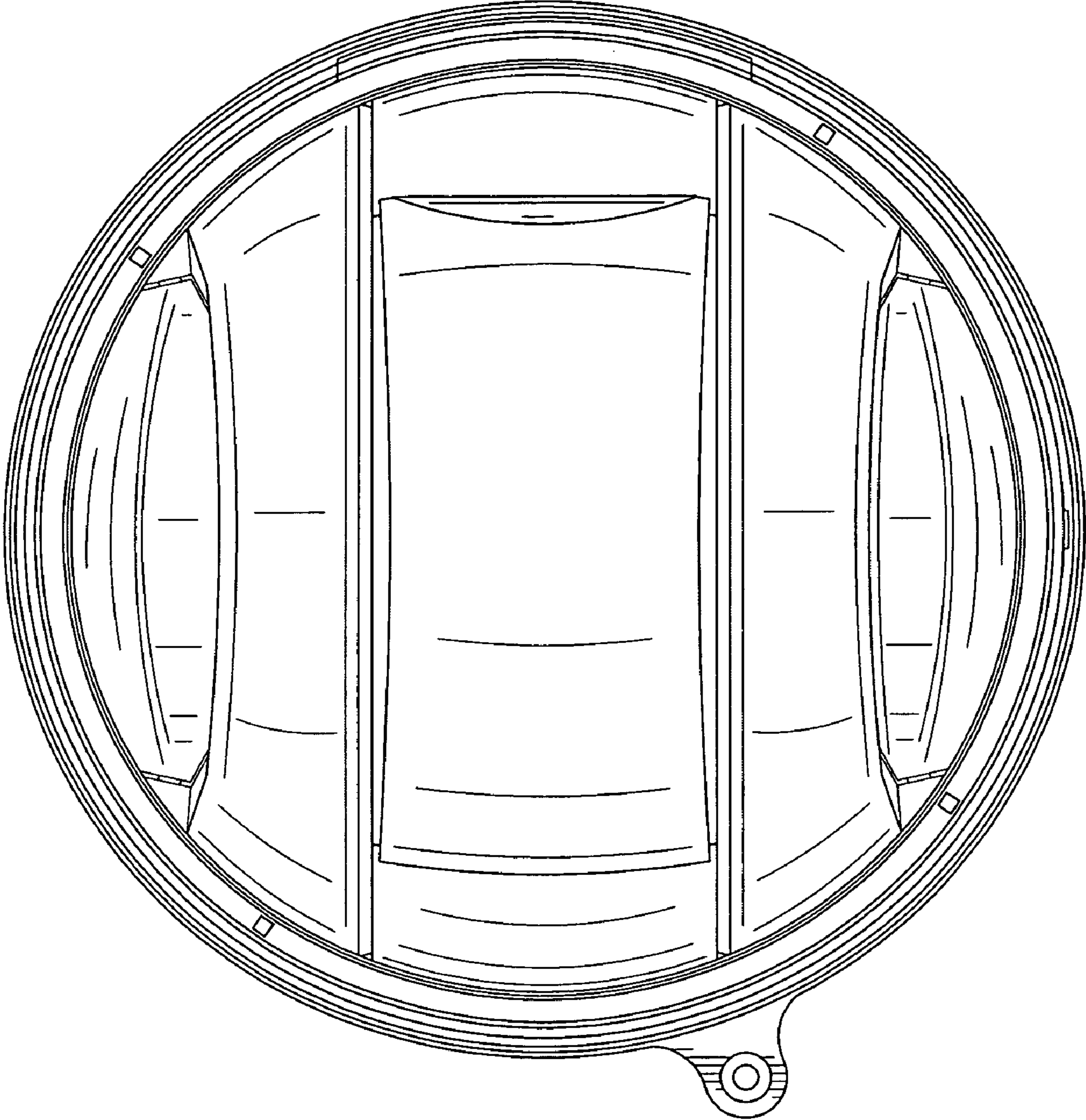
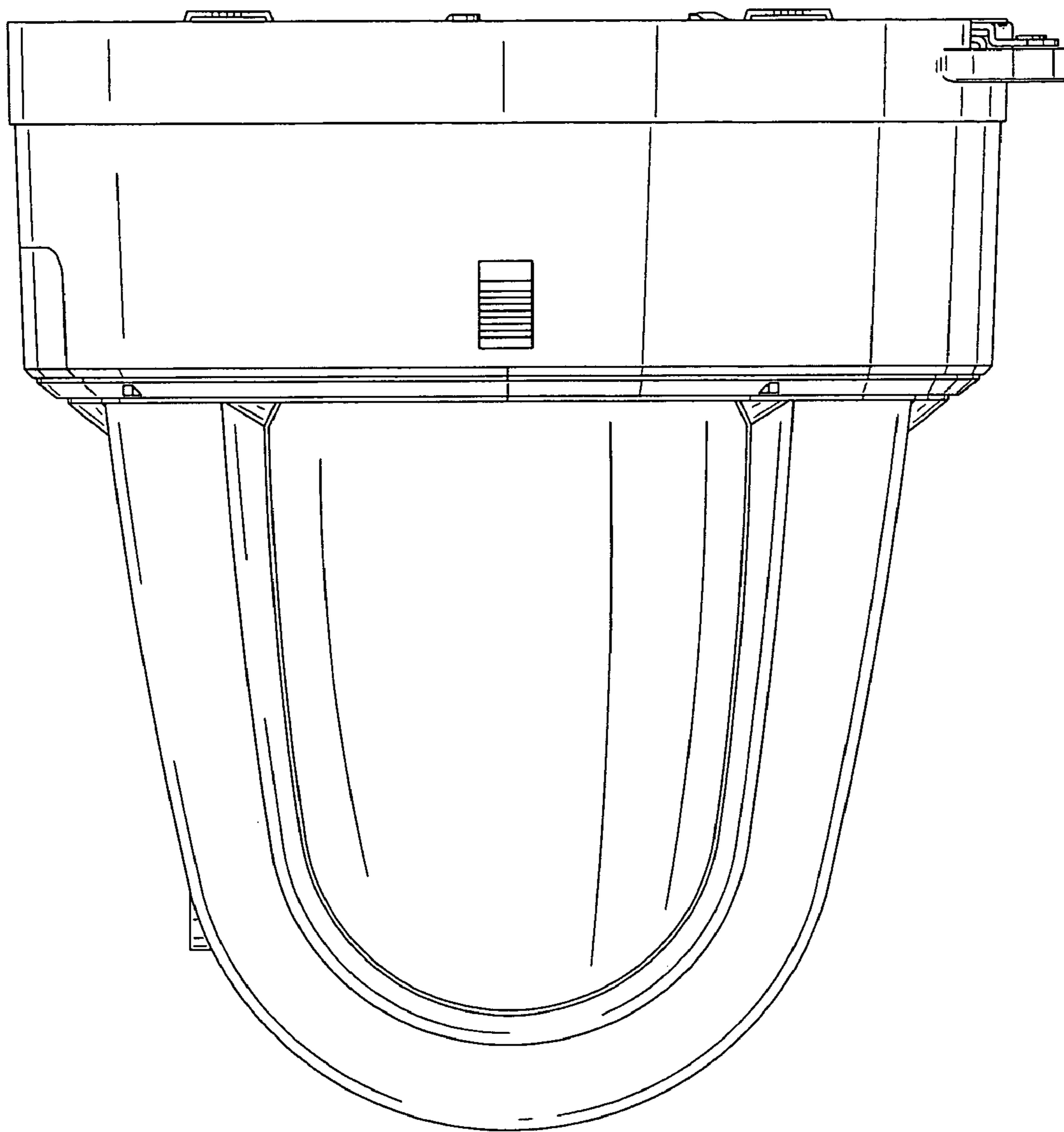
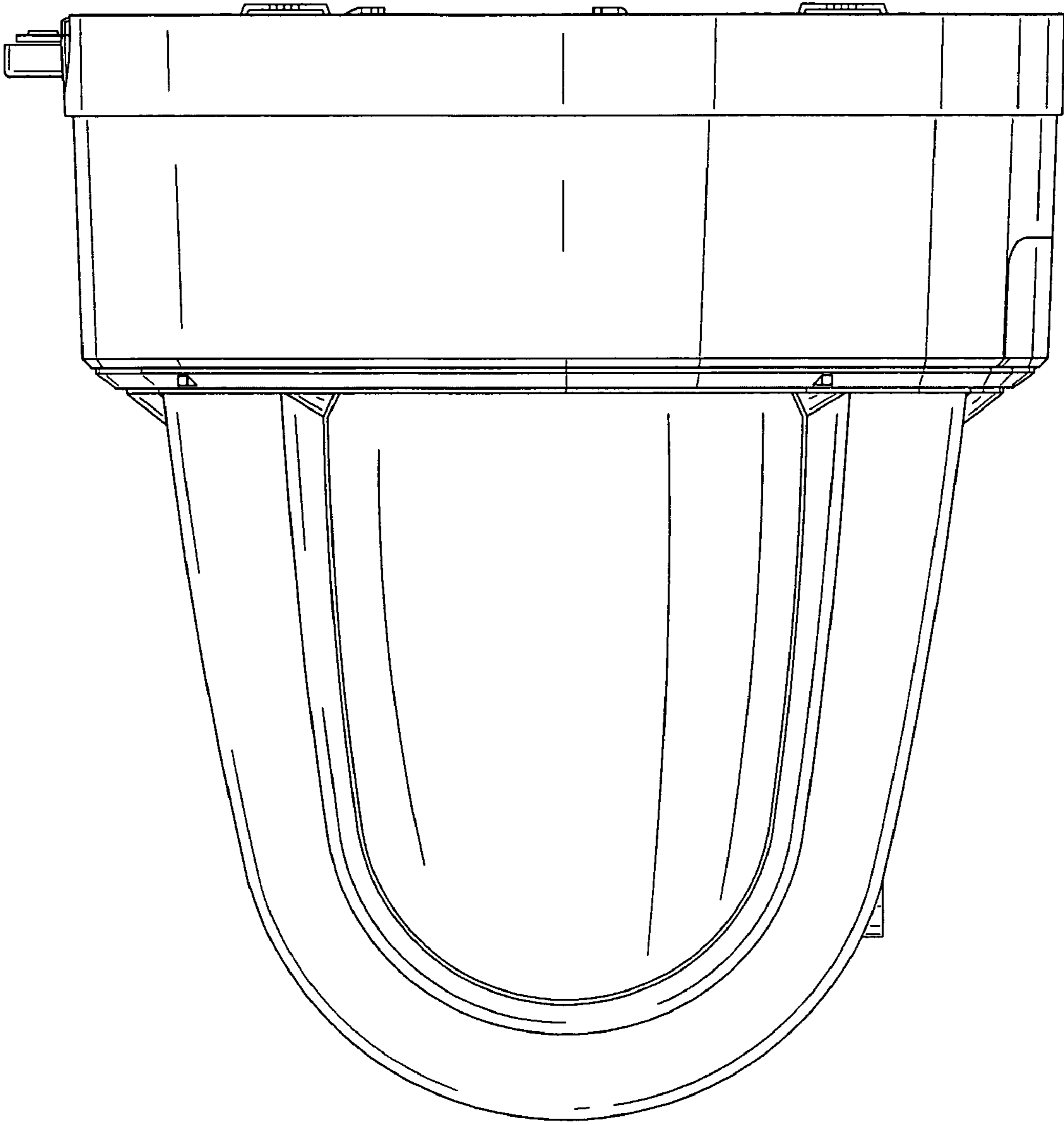


FIG. 4

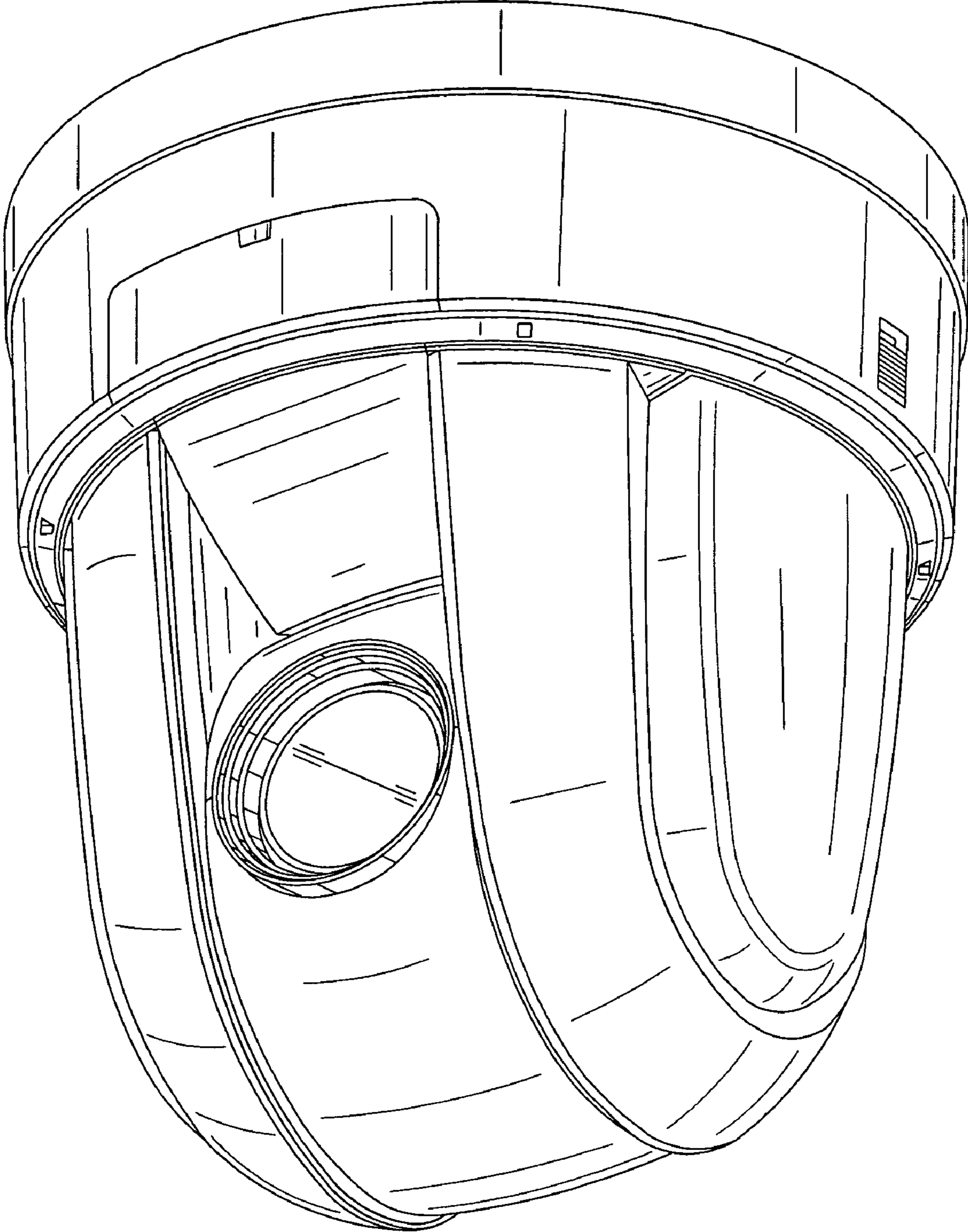




**FIG. 5**



**FIG. 6**



**FIG. 7**