



US00D597115S

(12) **United States Design Patent**
Inaba

(10) **Patent No.:** **US D597,115 S**
(45) **Date of Patent:** **** Jul. 28, 2009**

(54) **DIGITAL CAMERA**

(75) Inventor: **Toshiya Inaba**, Tokyo (JP)

(73) Assignee: **PENTAX Corporation**, Tokyo (JP)

(**) Term: **14 Years**

(21) Appl. No.: **29/304,123**

(22) Filed: **Feb. 26, 2008**

(30) **Foreign Application Priority Data**

Sep. 11, 2007 (JP) 2007-024692

(51) **LOC (9) Cl.** **16-01**

(52) **U.S. Cl.** **D16/202**

(58) **Field of Classification Search** D16/200–204,
D16/208, 218, 219; 348/373–376; 358/909.1;
396/535–541

See application file for complete search history.

(56) **References Cited**

U.S. PATENT DOCUMENTS

D531,652 S * 11/2006 Ogino et al. D16/202
D547,343 S * 7/2007 Sato D16/202
D554,679 S * 11/2007 Nagayama et al. D16/202
D561,219 S * 2/2008 Nagayama et al. D16/202
D568,358 S * 5/2008 Shimobayashi D16/202

2006/0125933 A1* 6/2006 Kim 348/375

FOREIGN PATENT DOCUMENTS

JP 1345255 S 10/2008

* cited by examiner

Primary Examiner—Adir Aronovich

(74) *Attorney, Agent, or Firm*—Sughrue Mion, PLLC

(57) **CLAIM**

The ornamental design for a digital camera, as shown and described.

DESCRIPTION

FIG. 1 is a perspective view of the top, front and left side of a digital camera showing my new design;

FIG. 2 is a front elevational view thereof;

FIG. 3 is a rear elevational view thereof;

FIG. 4 is a left side elevational view thereof;

FIG. 5 is a right side elevational view thereof;

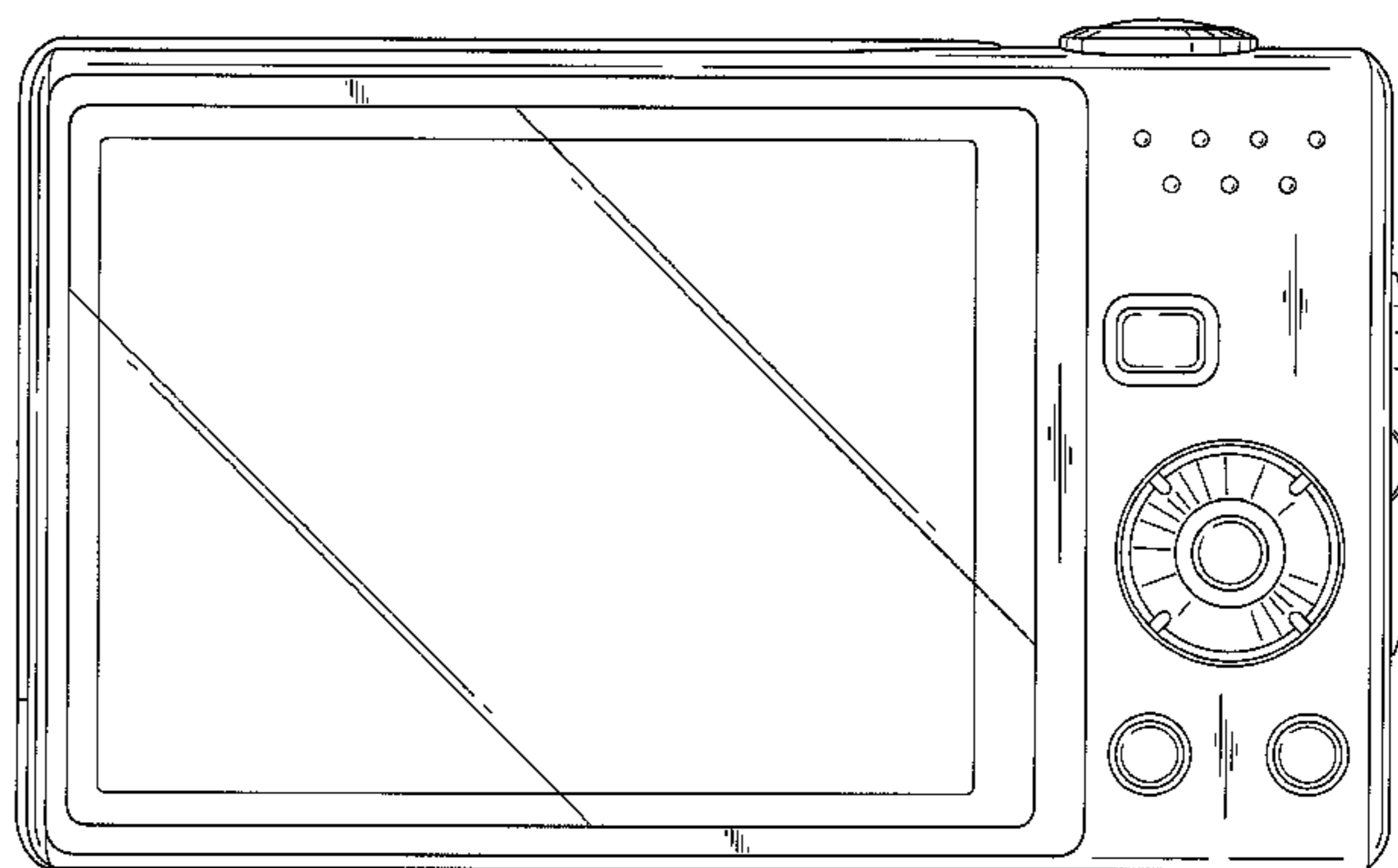
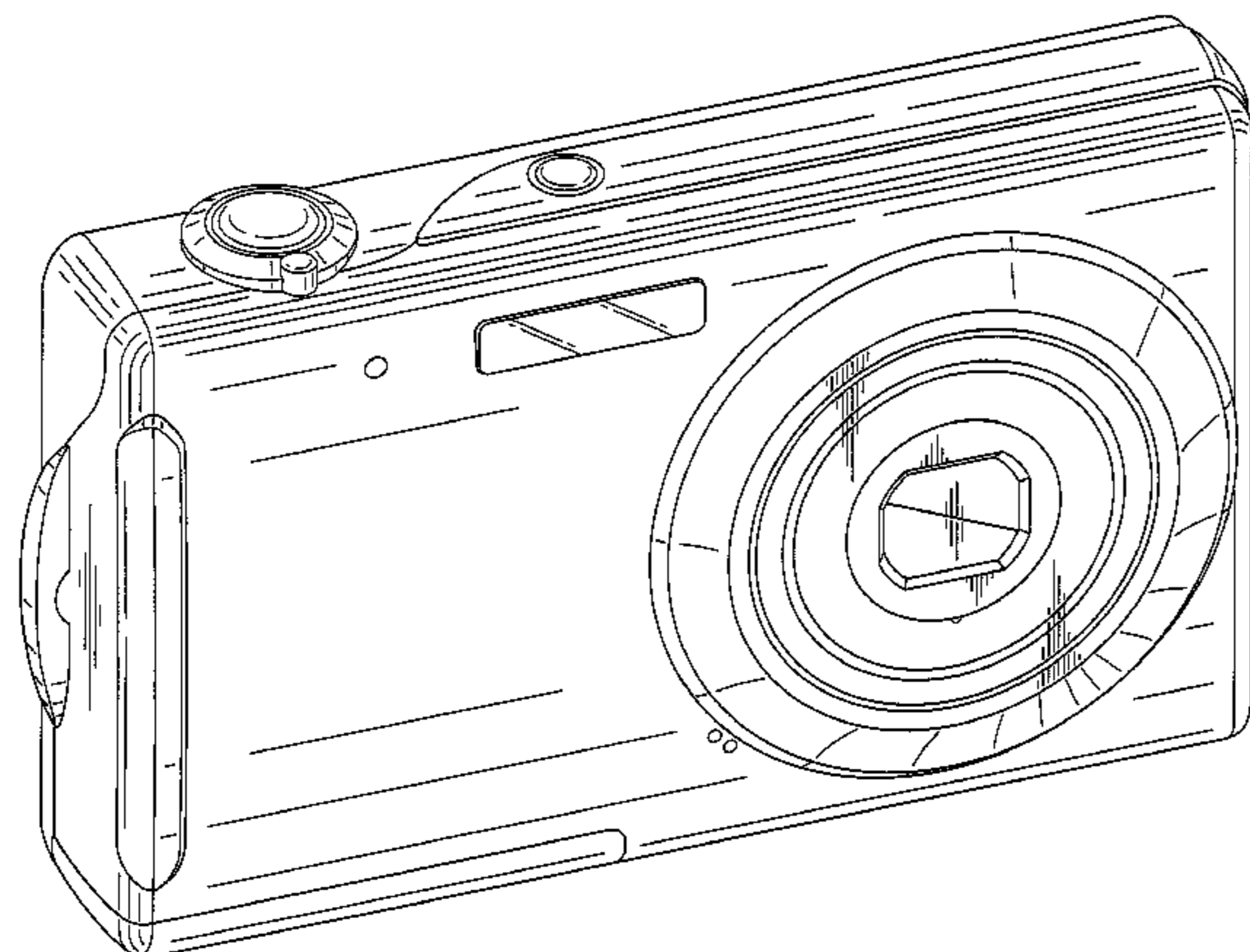
FIG. 6 is a top plan view thereof;

FIG. 7 is a bottom plan view thereof;

FIG. 8 is a front elevational view thereof while in use; and,

FIG. 9 is a top plan view thereof while in use.

1 Claim, 7 Drawing Sheets



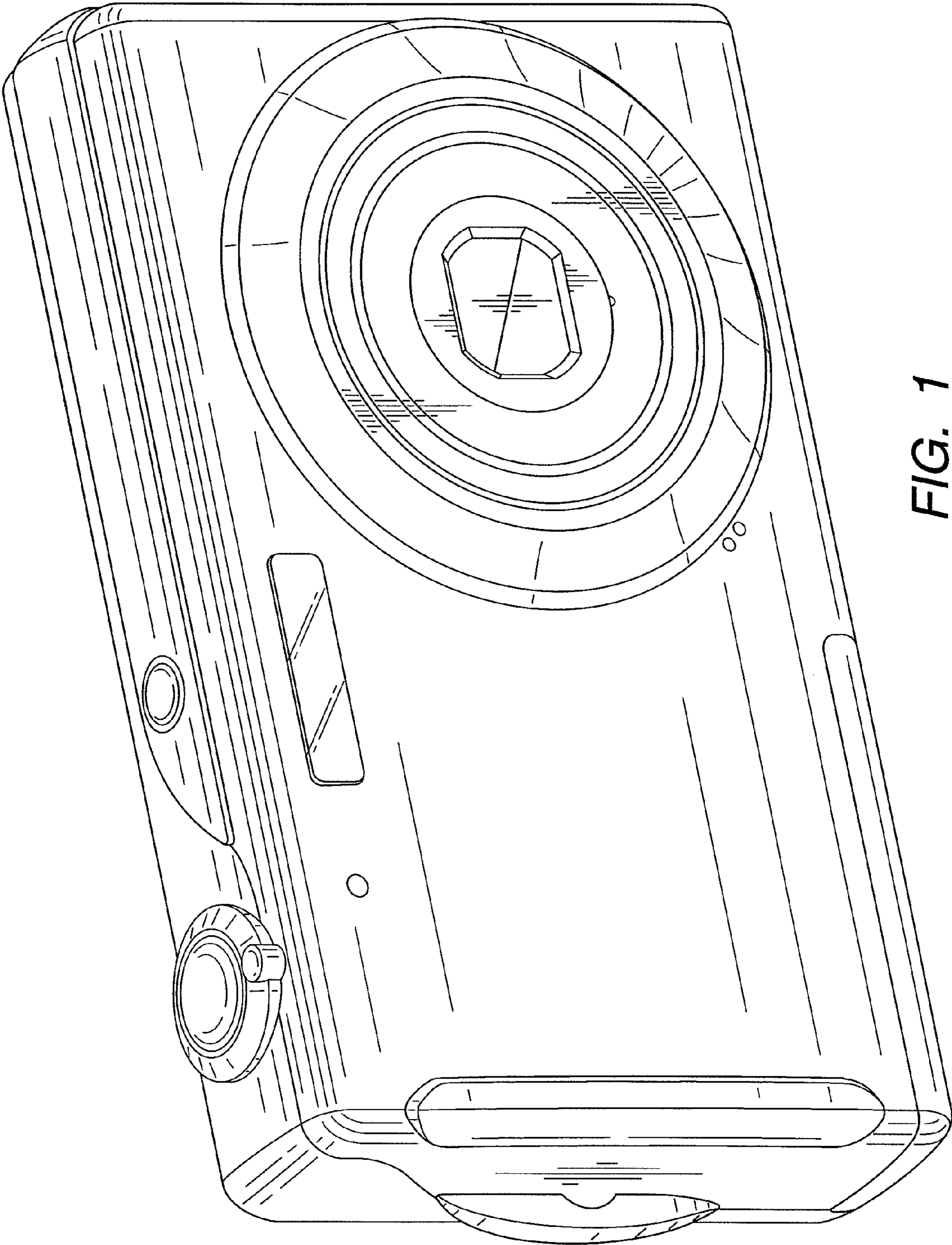


FIG. 1

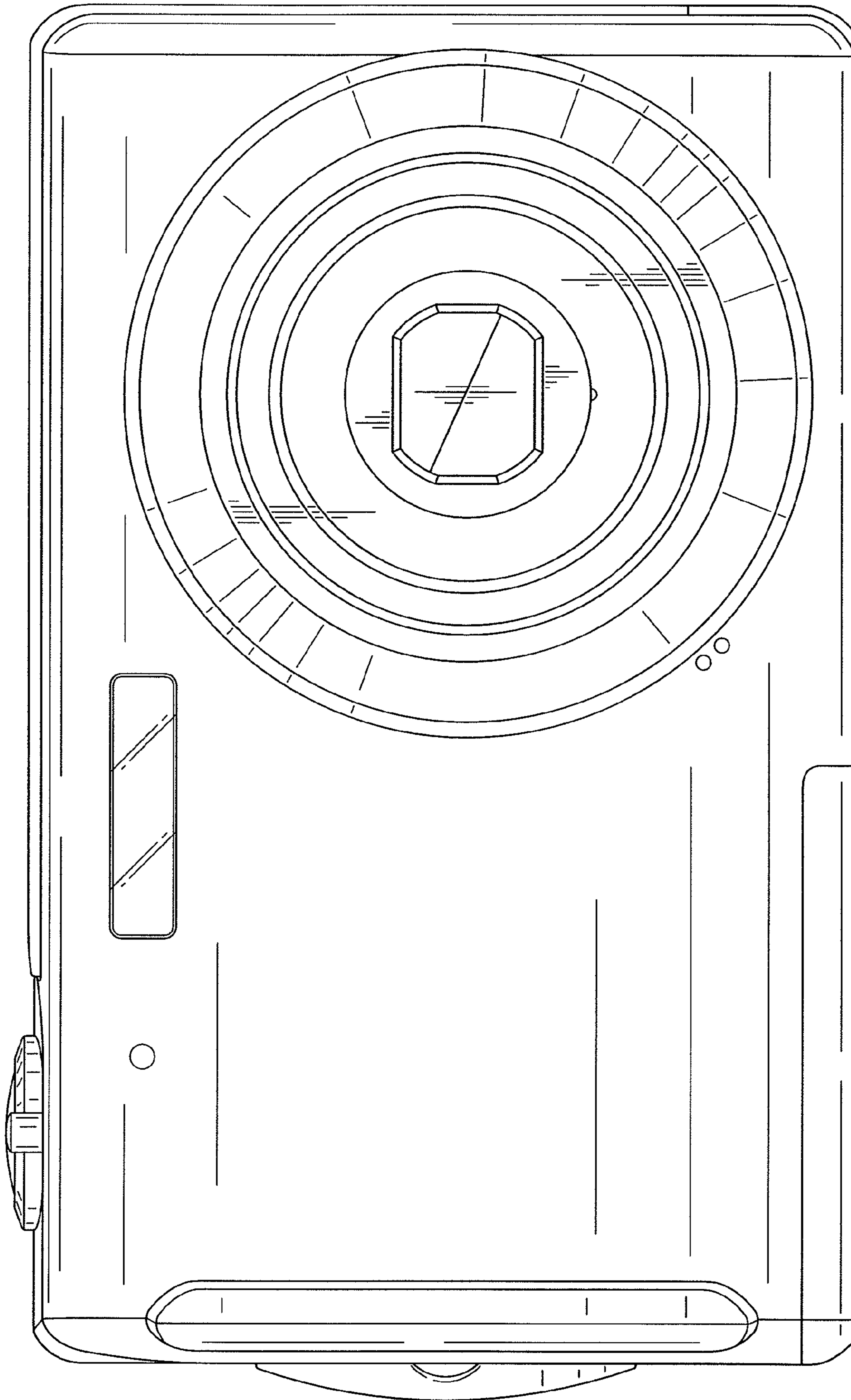


FIG. 2

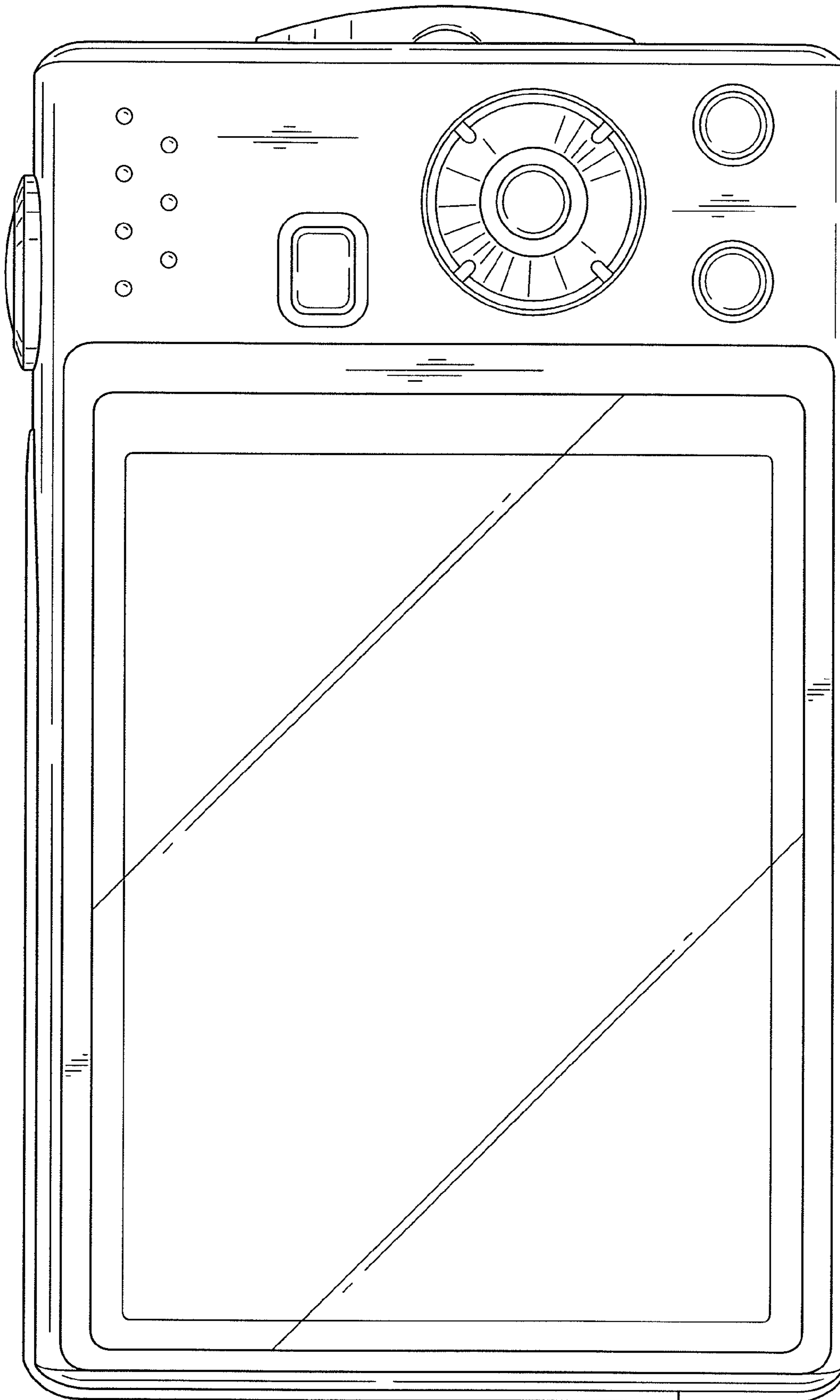


FIG. 3

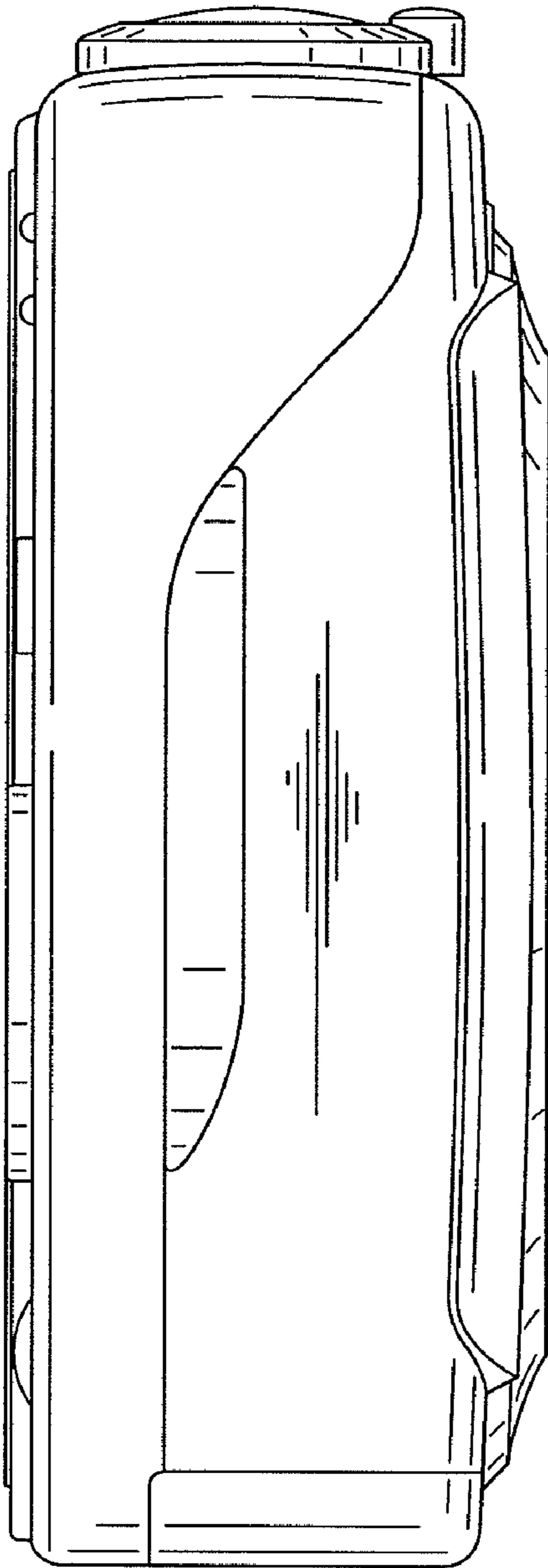


FIG. 4

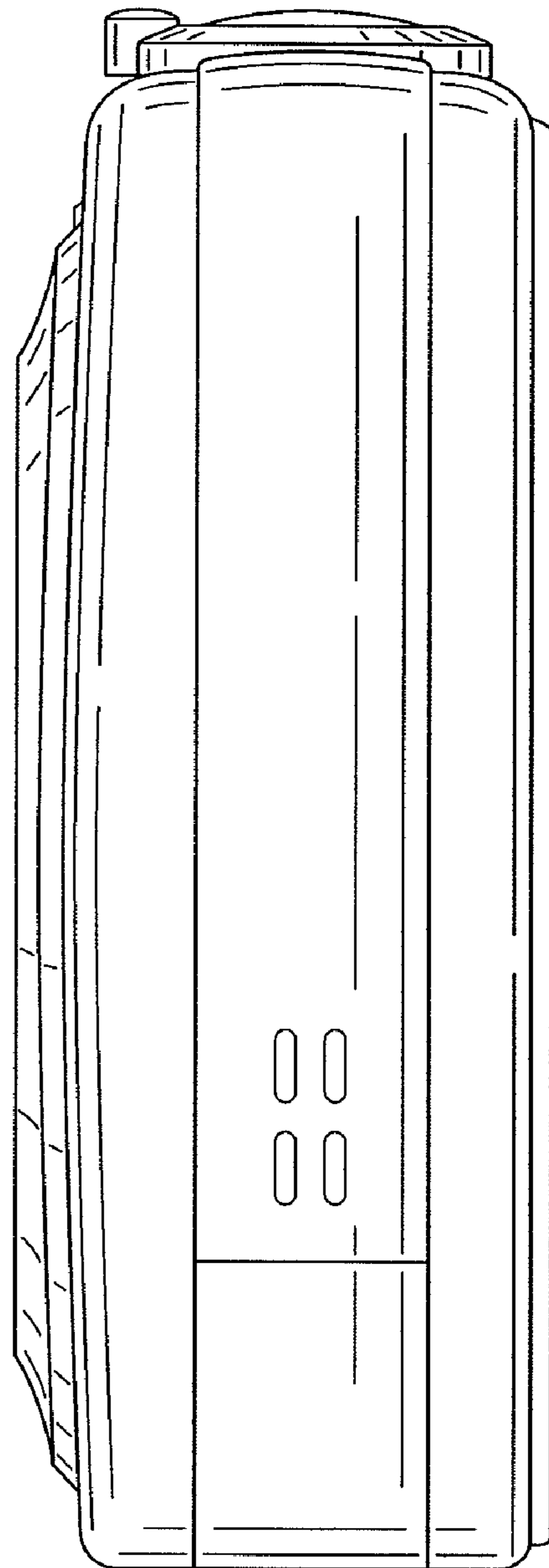


FIG. 5

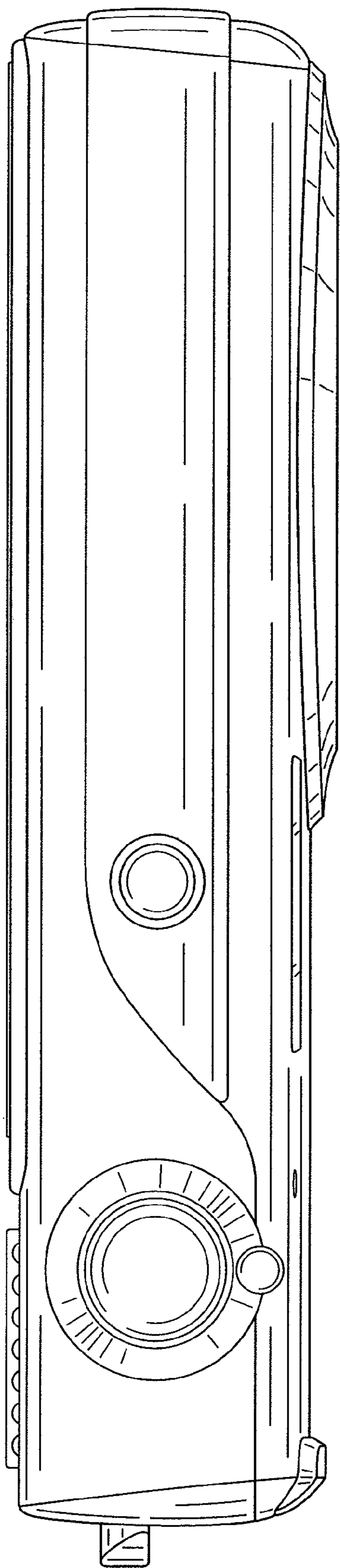


FIG. 6

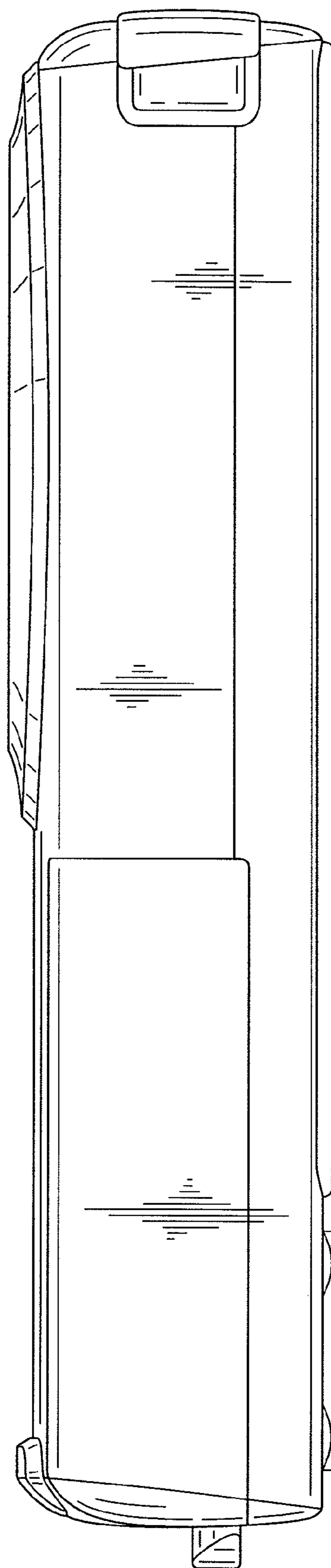


FIG. 7

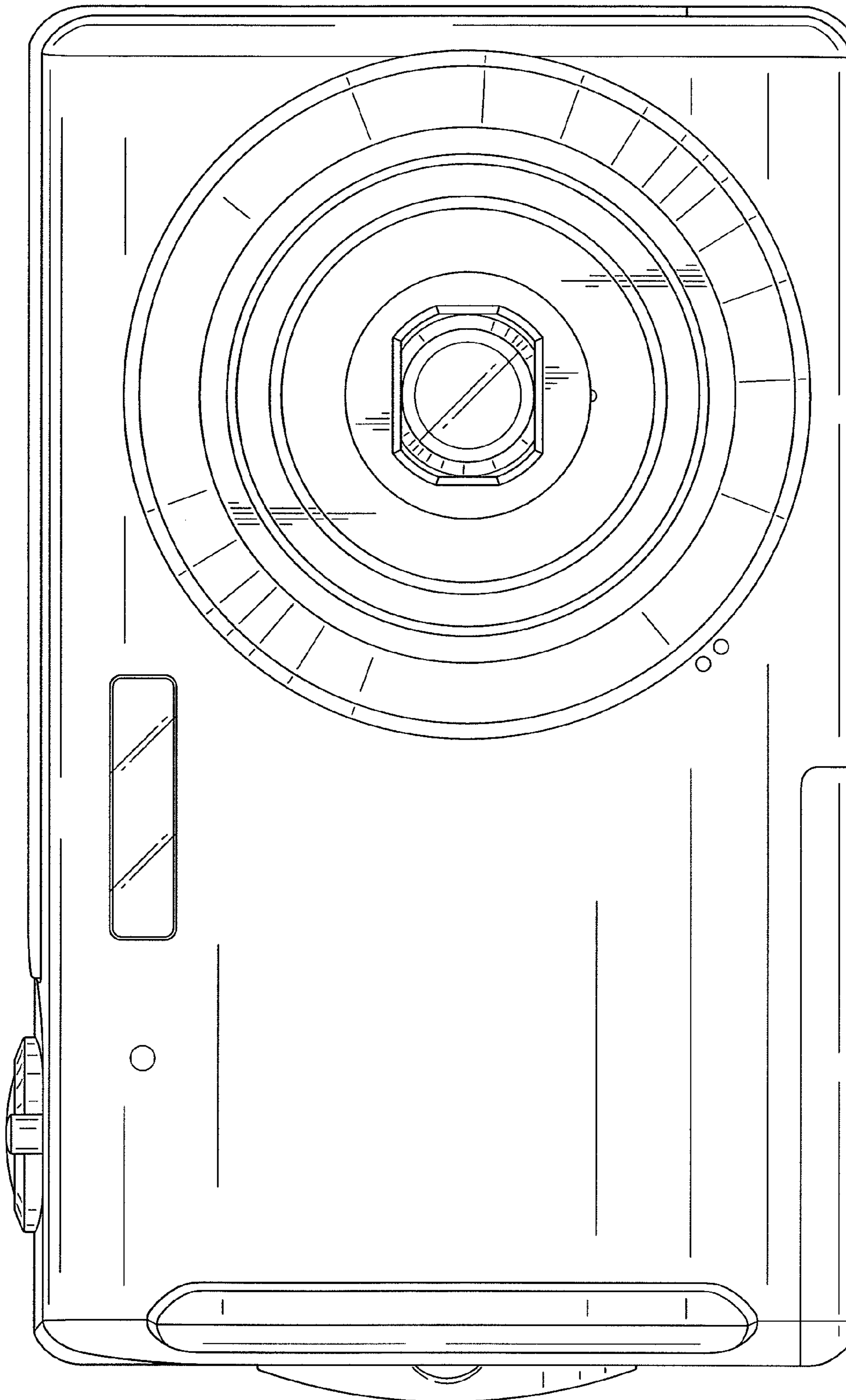


FIG. 8

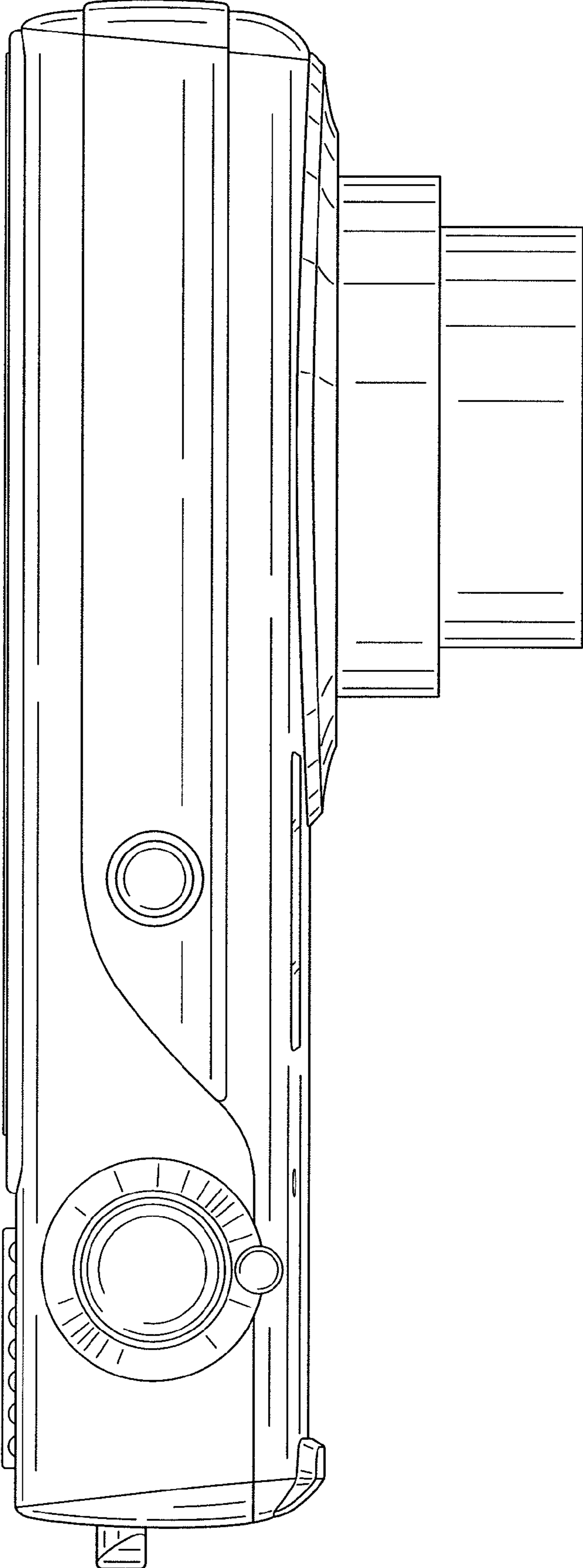


FIG. 9