

US00D597114S

(12) **United States Design Patent**
Yip et al.

(10) **Patent No.:** **US D597,114 S**
(45) **Date of Patent:** **** Jul. 28, 2009**

(54) **MAGNIFIER WITH RETRACTABLE PROTECTIVE SLEEVE**

(75) Inventors: **Gin Fai Yip**, North Point (HK); **Bryan Yip**, Kowloon (HK)

(73) Assignees: **Leading Extreme Optimist Industries, Ltd.**, Chai Wan (HK); **Carson Optical, Inc.**, Hauppauge, NY (US)

(**) Term: **14 Years**

(21) Appl. No.: **29/299,097**

(22) Filed: **Dec. 19, 2007**

(51) **LOC (9) Cl.** **16-06**

(52) **U.S. Cl.** **D16/135**

(58) **Field of Classification Search** D16/135,
D16/130; 359/800, 802, 803, 804, 808, 810,
359/813, 817; D3/208, 212; D10/18, 62;
D28/77, 83; 206/229, 335, 316.1; 220/345.4;
132/218; D21/483, 330, 333

See application file for complete search history.

(56) **References Cited**

U.S. PATENT DOCUMENTS

2,534,100	A	*	12/1950	Baumgartner	220/345.4
D196,452	S	*	10/1963	Burlin et al.	D16/135
3,409,343	A	*	11/1968	Zapp	359/431
3,409,347	A	*	11/1968	Vogel	359/808
D219,065	S	*	10/1970	Zelnick	D10/62
4,037,940	A		7/1977	Yates et al.		
D269,329	S	*	6/1983	Malamoud	D10/18
D275,401	S	*	9/1984	Henkels	D16/135
D367,487	S	*	2/1996	Segan	D16/135
5,633,762	A	*	5/1997	Richard	359/817
D394,272	S		5/1998	Hon		
5,754,349	A	*	5/1998	Hon	359/813

D492,336	S	*	6/2004	Yip et al.	D16/135
D492,713	S	*	7/2004	Yip et al.	D16/135
D494,692	S		8/2004	Jim		
D495,726	S	*	9/2004	Yip et al.	D16/135
D497,626	S	*	10/2004	Yip et al.	D16/135
6,822,813	B2		11/2004	Jim		
D501,665	S	*	2/2005	Yip et al.	D16/135
D502,719	S	*	3/2005	Yip et al.	D16/135
D508,063	S	*	8/2005	Yip et al.	D16/135
D530,353	S	*	10/2006	Jarosinski et al.	D16/135
D538,830	S	*	3/2007	Yip et al.	D16/135
D545,857	S	*	7/2007	Yip et al.	D16/135
D553,798	S	*	10/2007	Goswell	D28/83
D572,284	S	*	7/2008	Kit	D16/135
7,414,798	B1	*	8/2008	Yip et al.	359/802

* cited by examiner

Primary Examiner—Paula Greene

(74) *Attorney, Agent, or Firm*—Camrody & Torrance LLP

(57) **CLAIM**

The ornamental design for a magnifier with retractable protective sleeve, as shown and described.

DESCRIPTION

FIG. 1 is a perspective view of a magnifier with retractable protective sleeve showing our new design;

FIG. 2 is a top plan view of FIG. 1;

FIG. 3 is a bottom view of FIG. 1;

FIG. 4 is a right side elevational view of FIG. 1;

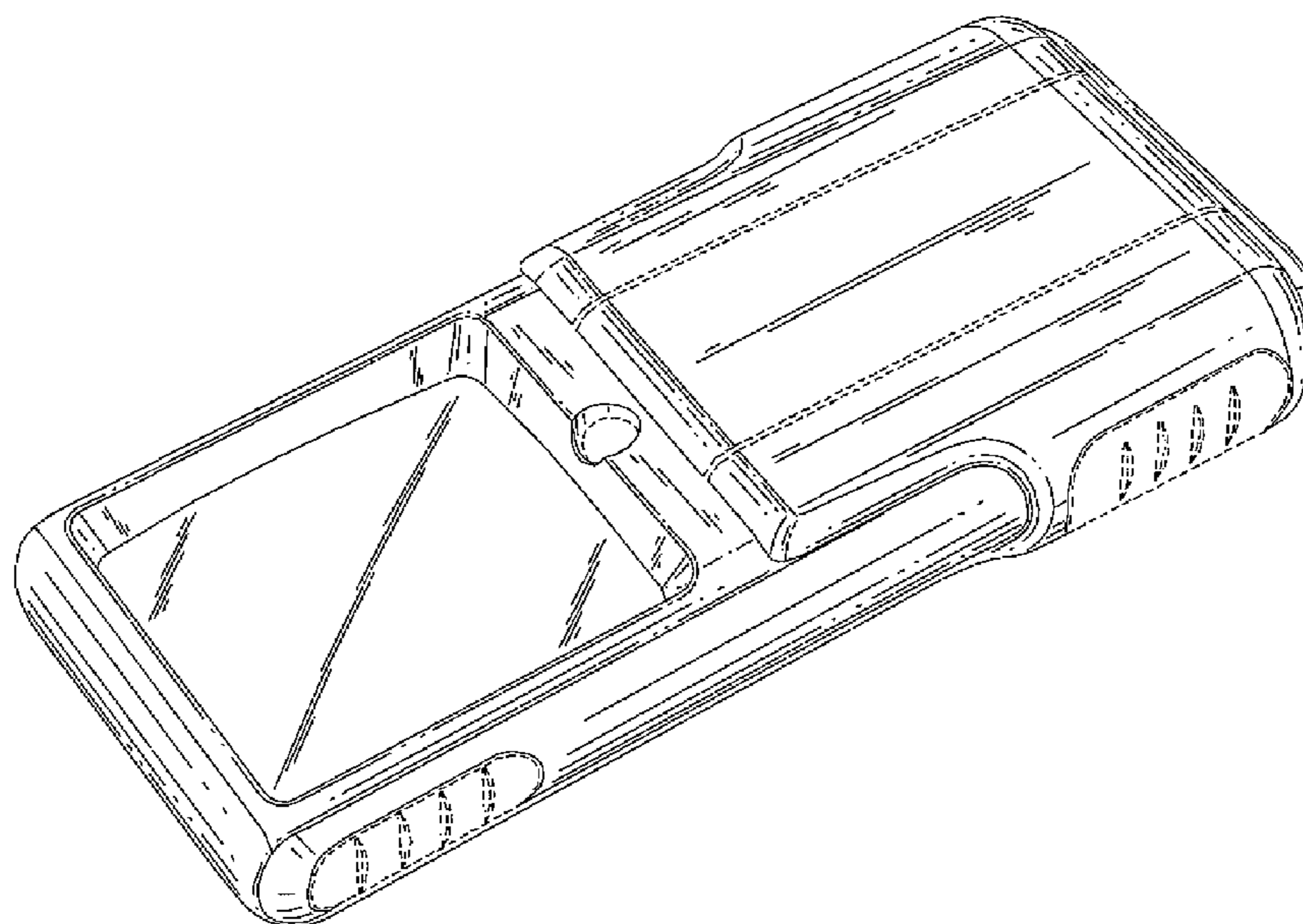
FIG. 5 is a left side elevational view of FIG. 1;

FIG. 6 is a first end elevational view of FIG. 1; and,

FIG. 7 is a second end elevational view of FIG. 1.

The dotted lines are intended to show features that are environmental only and form no part of the claimed design.

1 Claim, 2 Drawing Sheets



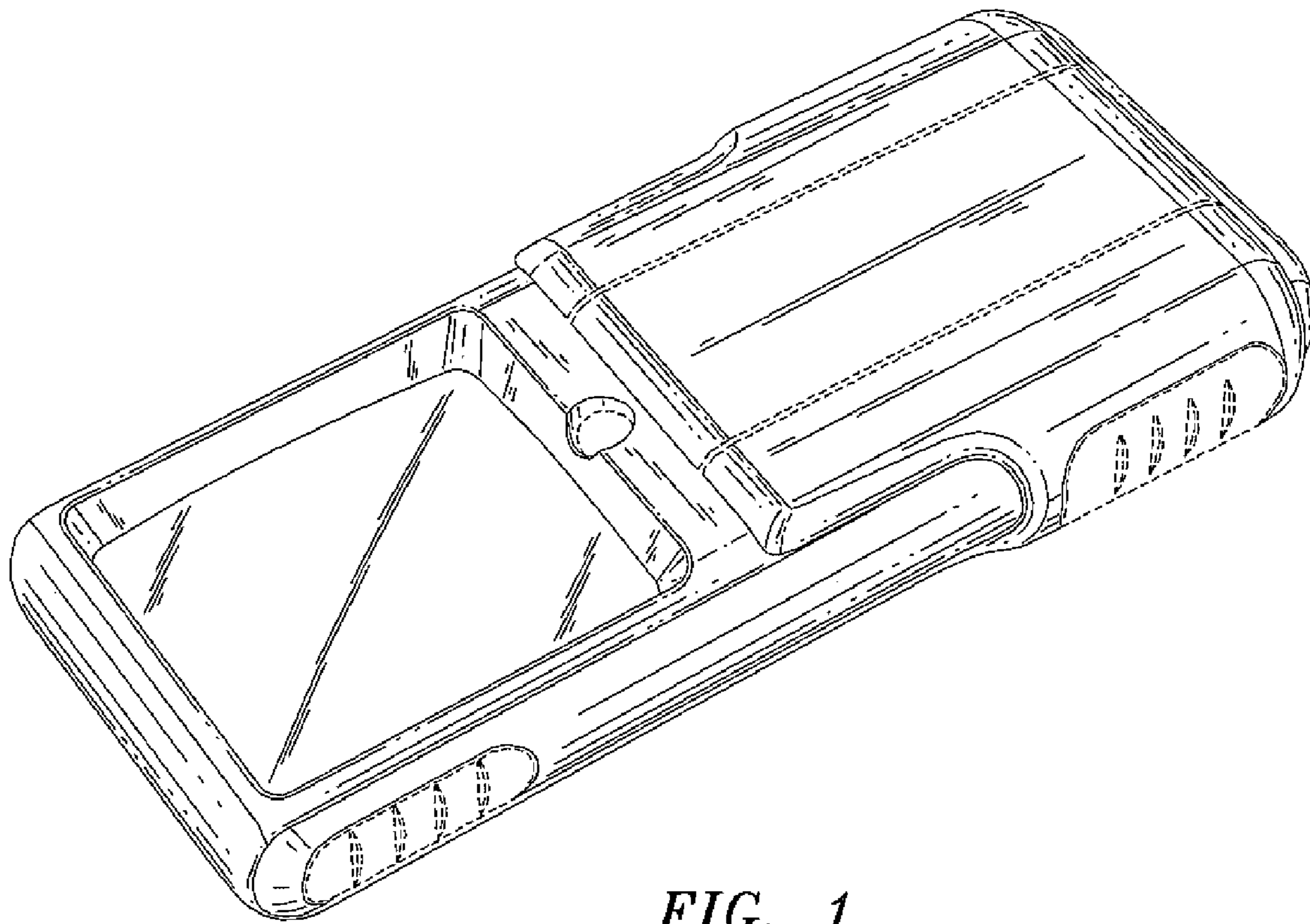


FIG. 1

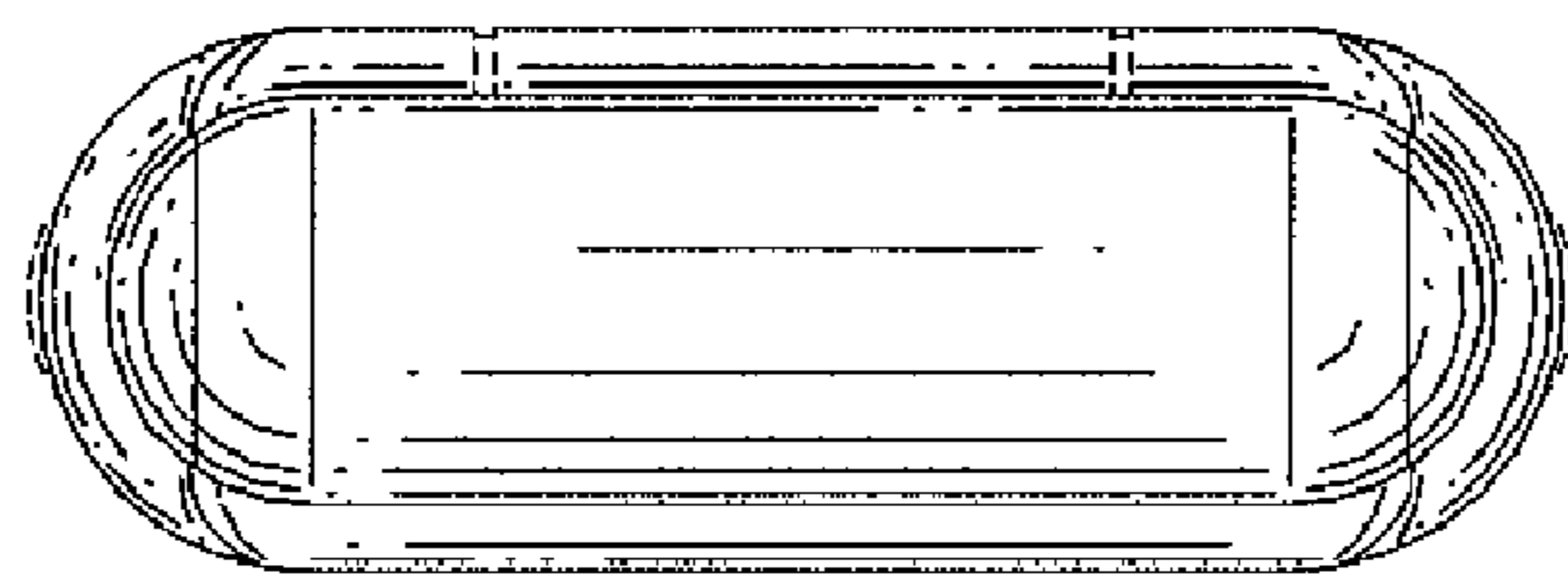


FIG. 6

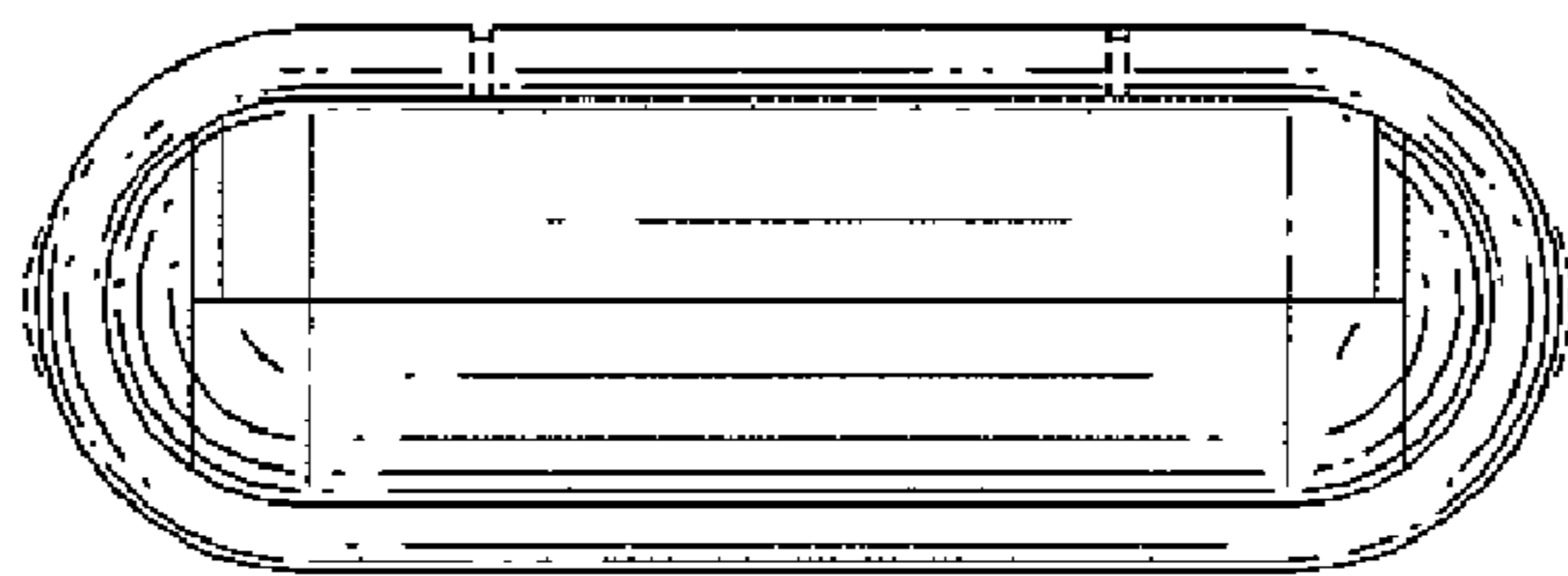


FIG. 7

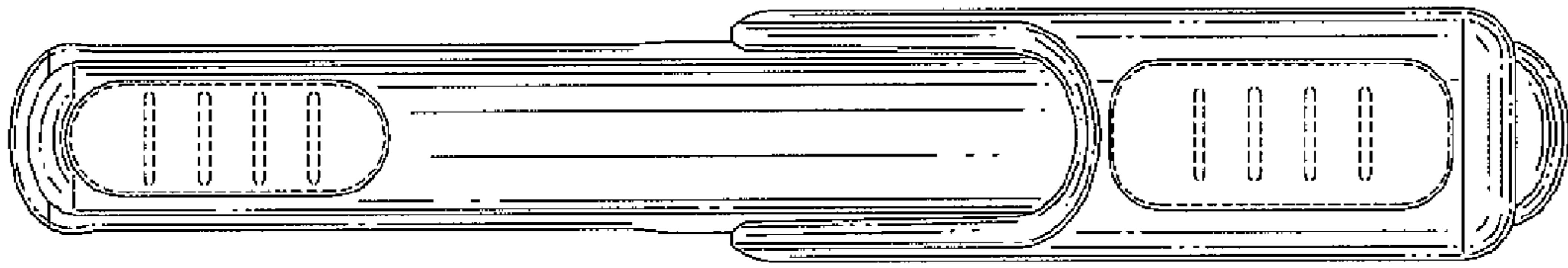


FIG. 5

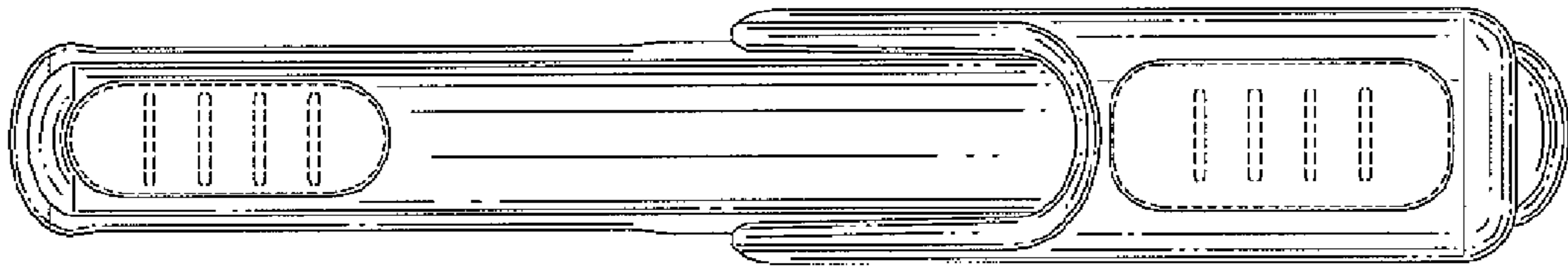


FIG. 4

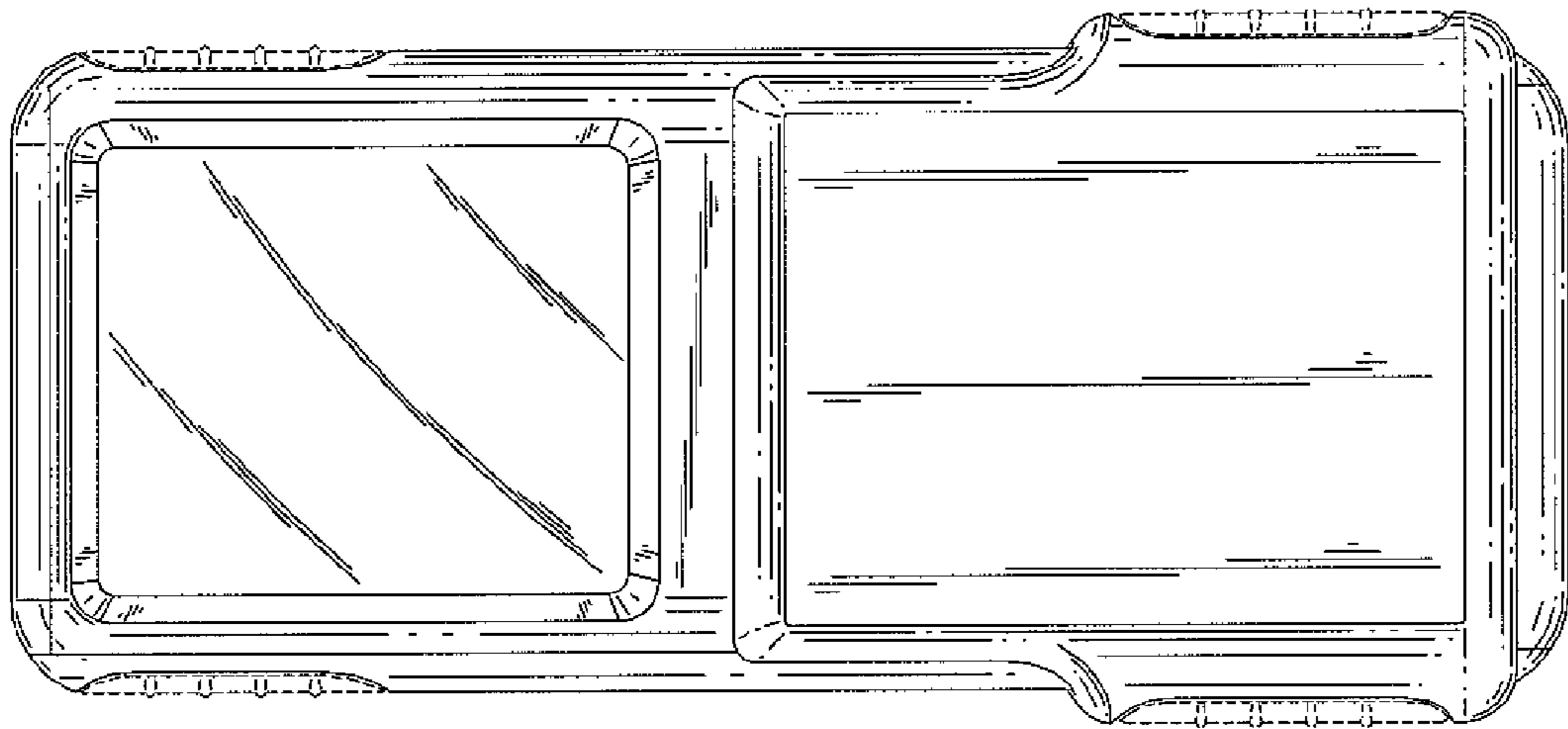


FIG. 3

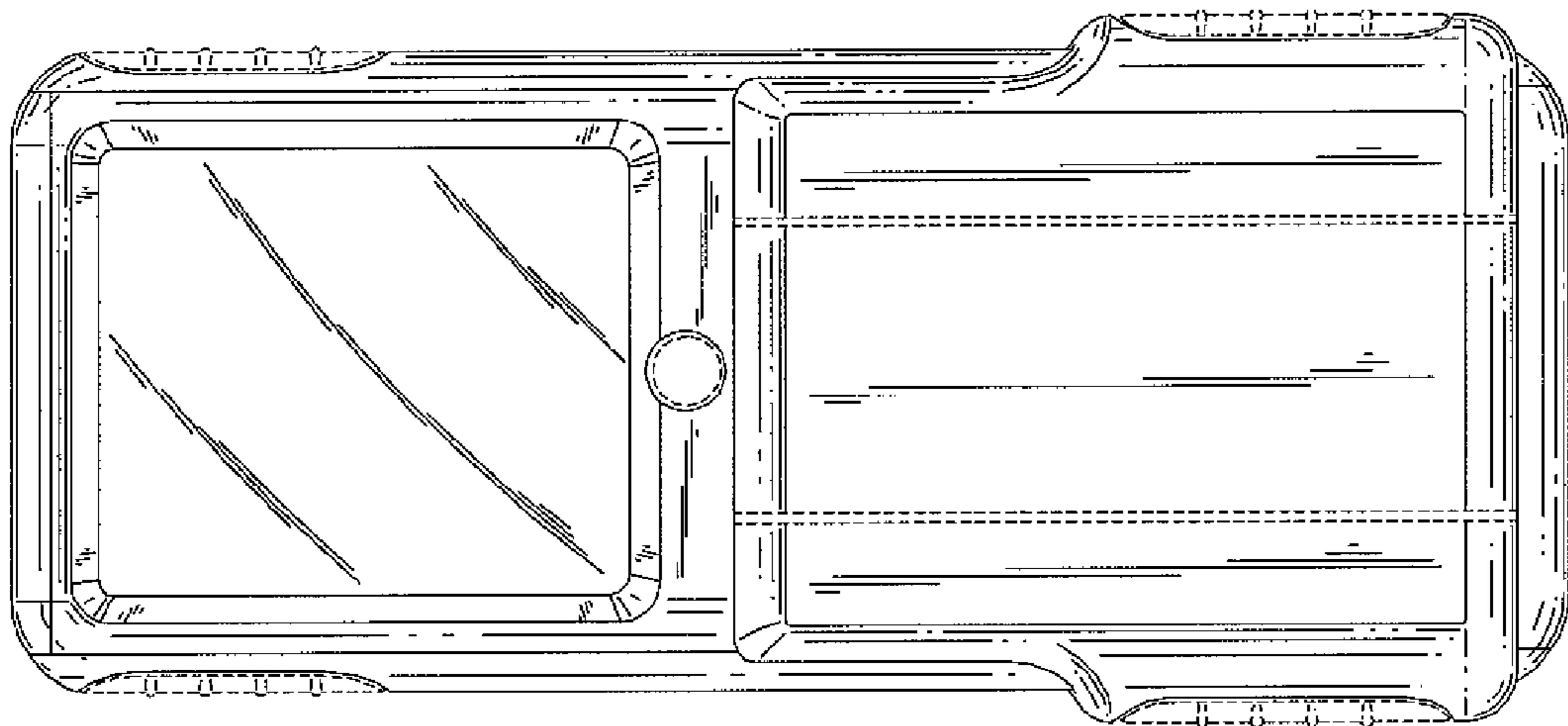


FIG. 2