



US00D597112S

(12) **United States Design Patent**
Takeuchi et al.

(10) **Patent No.:** **US D597,112 S**
(45) **Date of Patent:** **** Jul. 28, 2009**

(54) **ROTARY ACTUATOR**

(75) Inventors: **Kiyoshi Takeuchi**, Tsukubamirai (JP);
Mitsunori Magaribuchi, Tsukubamirai
(JP); **Kazuhiro Shinohara**,
Tsukubamirai (JP)

(73) Assignee: **SMC Corporation**, Chiyoda-ku, Tokyo
(JP)

(**) Term: **14 Years**

(21) Appl. No.: **29/329,775**

(22) Filed: **Dec. 21, 2008**

(30) **Foreign Application Priority Data**

Jul. 7, 2008 (JP) 2008-017409

(51) **LOC (9) Cl.** **15-09**

(52) **U.S. Cl.** **D15/143**

(58) **Field of Classification Search** D13/147,
D13/148, 158; D15/5, 143, 148, 199; D23/233;
74/89.15, 411.5, 490.09; 297/14, 325, 327;
310/20, 80; 319/80; 414/560-569
See application file for complete search history.

(56) **References Cited**

U.S. PATENT DOCUMENTS

D406,596 S * 3/1999 Ziegler et al. D15/148
D446,229 S * 8/2001 Kaneko D15/143
D459,742 S * 7/2002 Abrahamsen et al. D15/143
D480,405 S * 10/2003 Kleffmann et al. D15/143

D542,682 S * 5/2007 Waki D10/85
D554,164 S * 10/2007 Naruse et al. D15/143
D561,207 S * 2/2008 Yaegashi D15/143
D572,282 S * 7/2008 Yaegashi D15/143
D578,147 S * 10/2008 Fukano et al. D15/143
2003/0041598 A1 * 3/2003 Takeuchi et al. 60/591

* cited by examiner

Primary Examiner—Sandra Snapp

Assistant Examiner—Patricia Palasik

(74) *Attorney, Agent, or Firm*—Yokoi & Co., U.S.A., Inc.;
Peter Ganjian

(57) **CLAIM**

The ornamental design for a rotary actuator, as shown and described.

DESCRIPTION

FIG. 1 shows a front view of a rotary actuator showing my new design;

FIG. 2 shows a rear view thereof;

FIG. 3 shows a right side view thereof;

FIG. 4 shows a left side view thereof;

FIG. 5 shows a top view thereof;

FIG. 6 shows a bottom view thereof;

FIG. 7 shows a top, rear and right side perspective view thereof; and,

FIG. 8 shows a bottom, front and left side perspective view thereof.

1 Claim, 4 Drawing Sheets

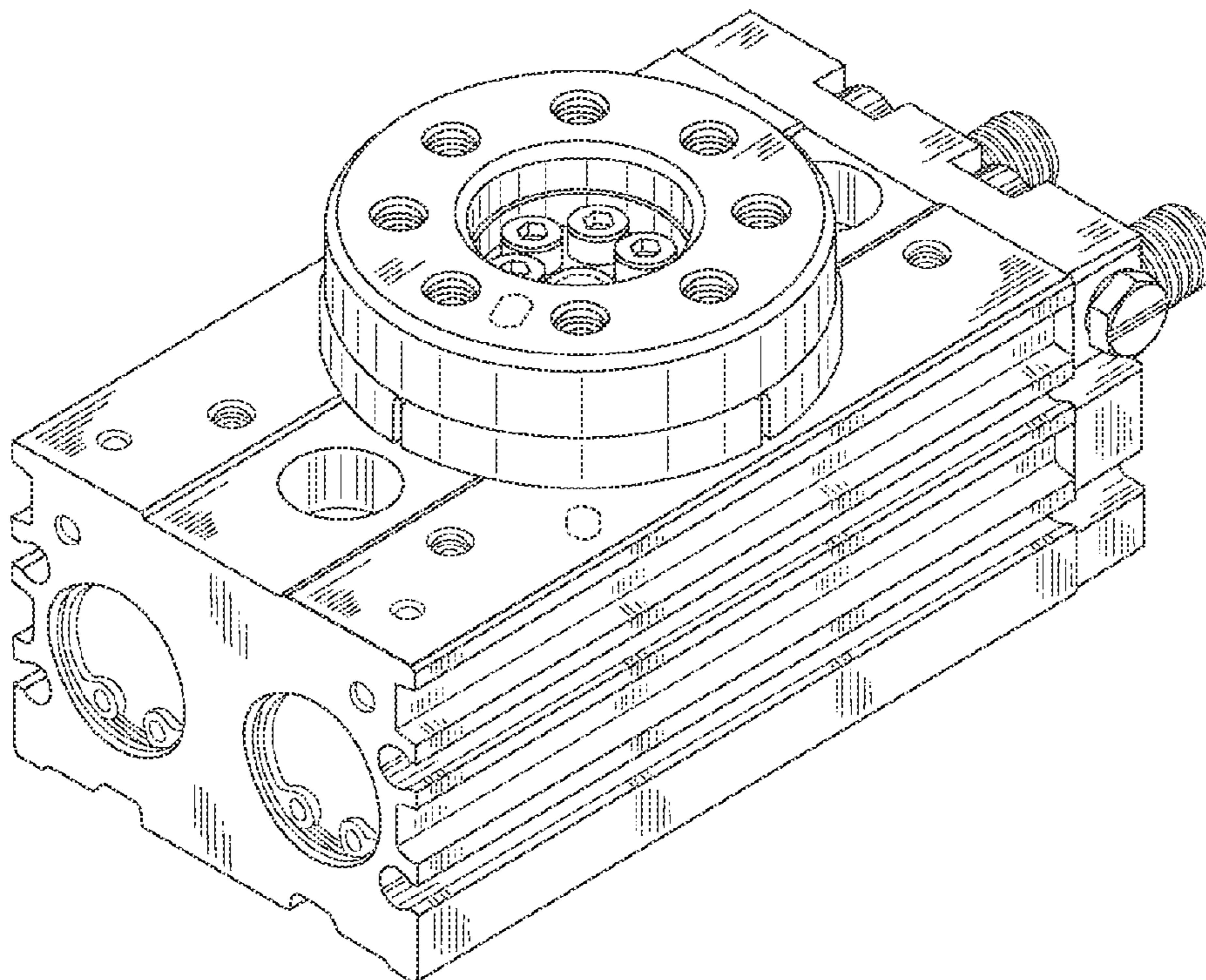


FIG. 1

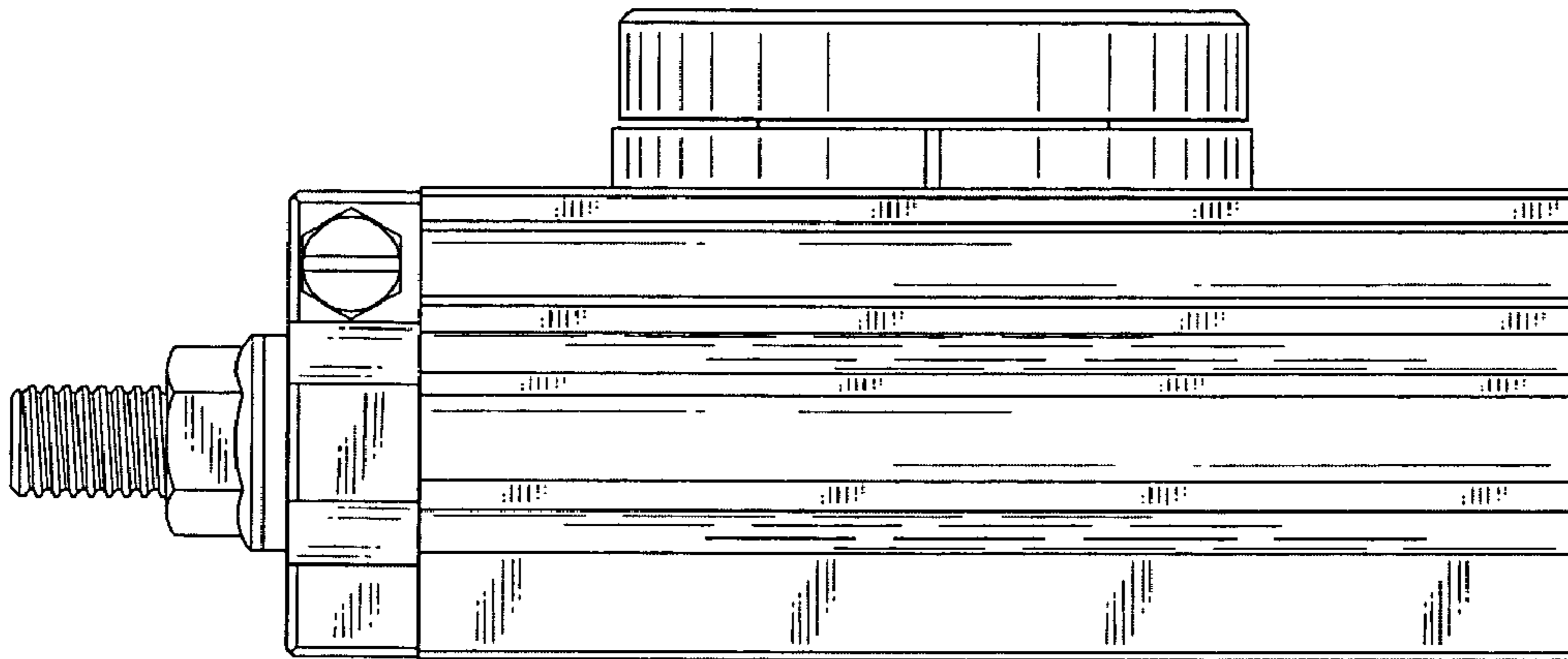


FIG. 2

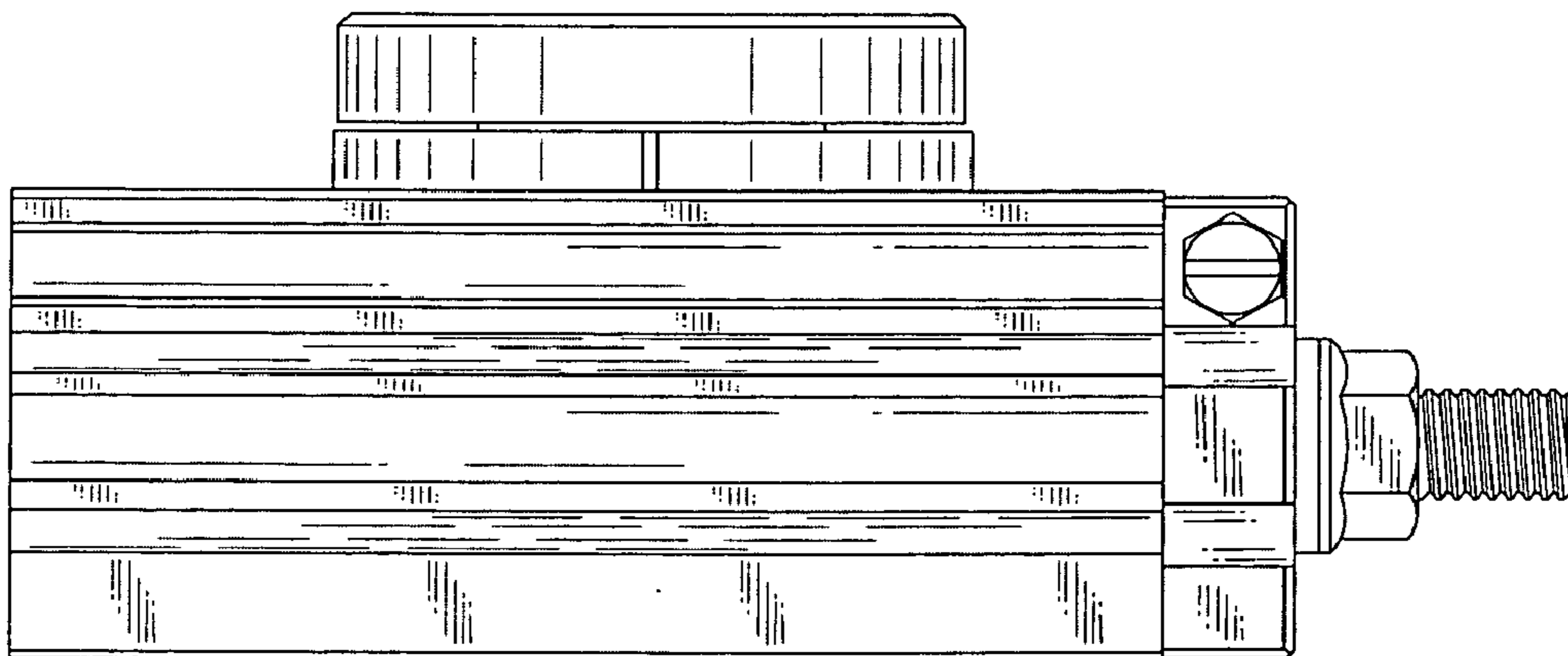


FIG. 3

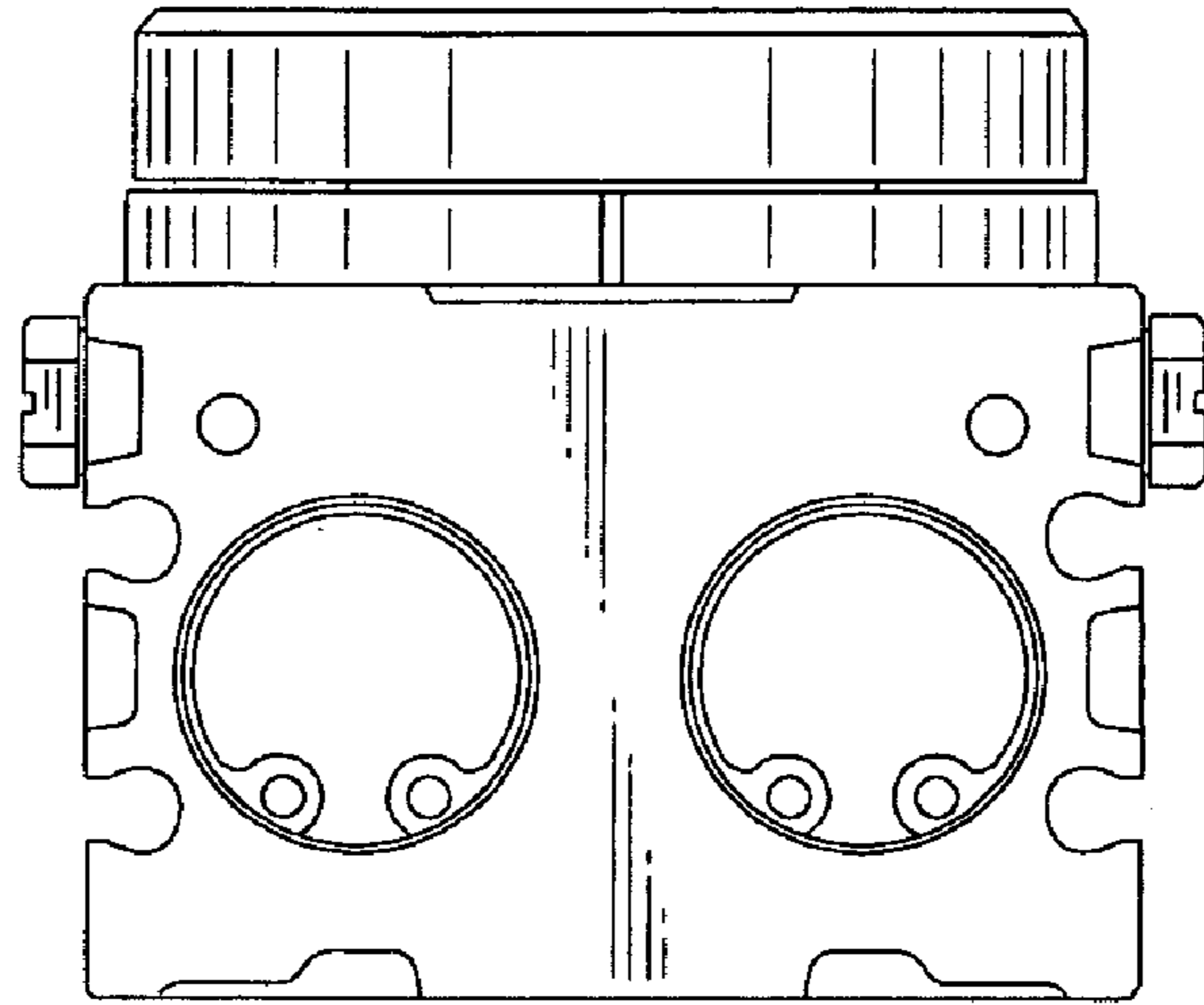


FIG. 4

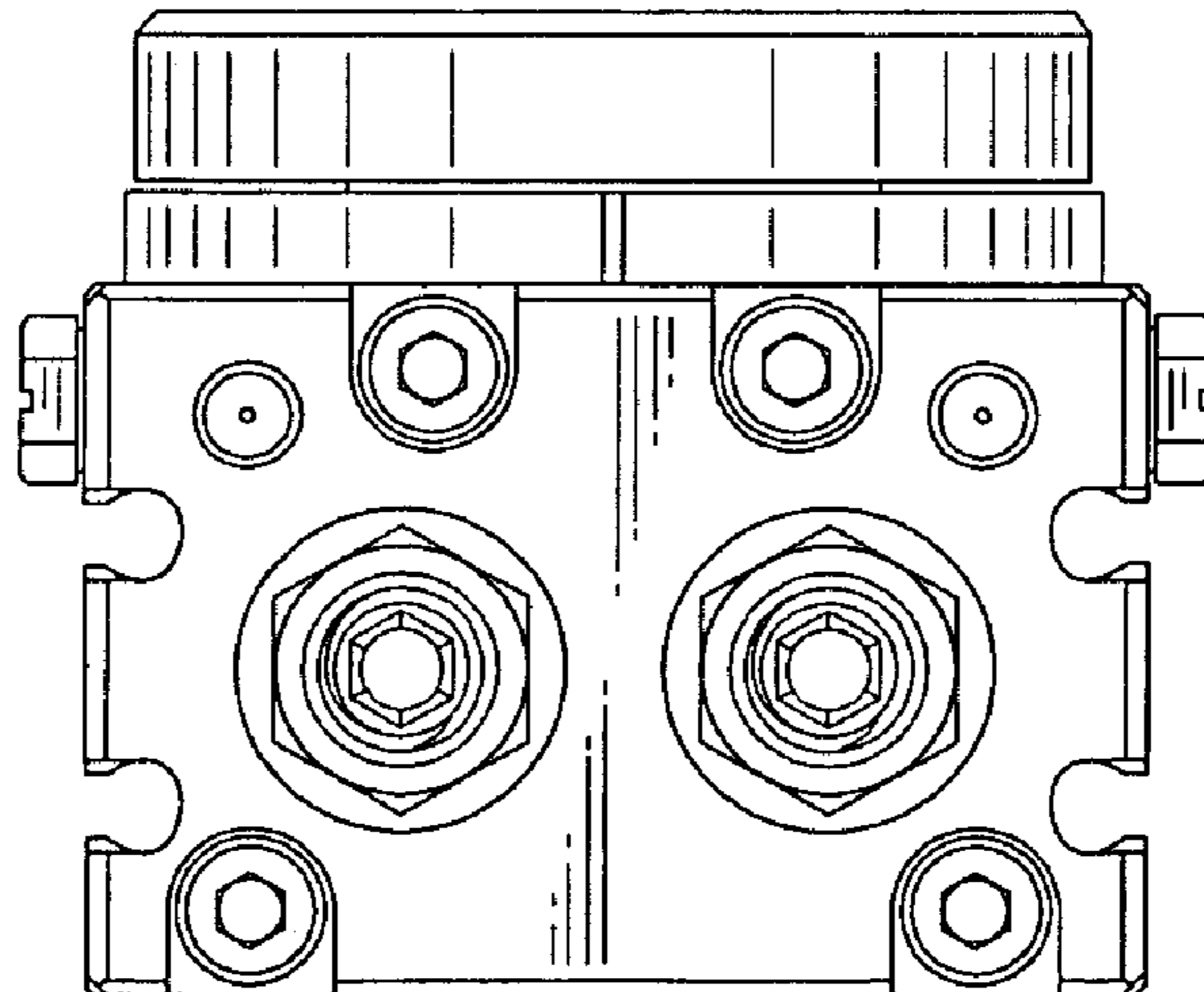


FIG. 5

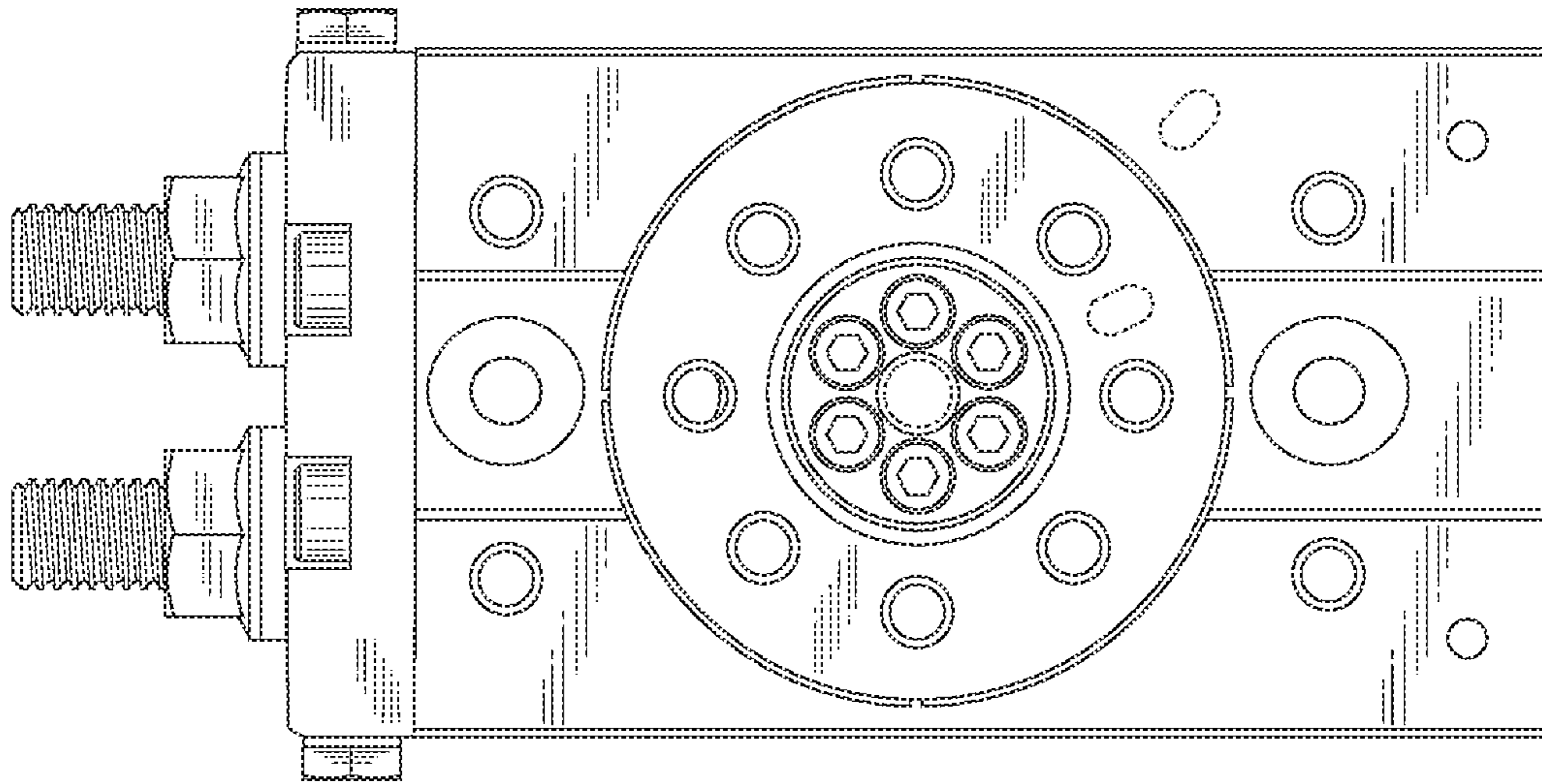


FIG. 6

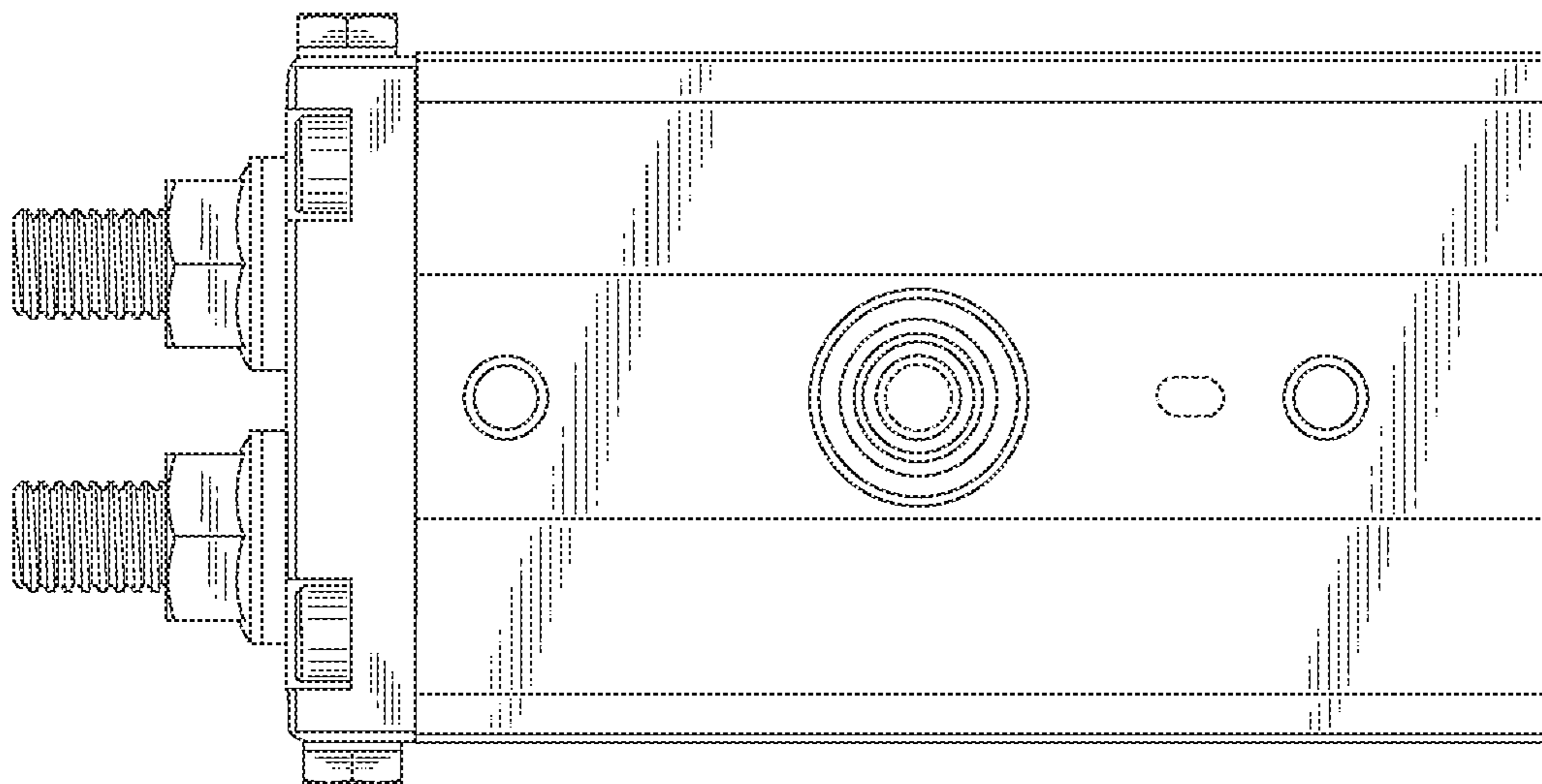


FIG. 7

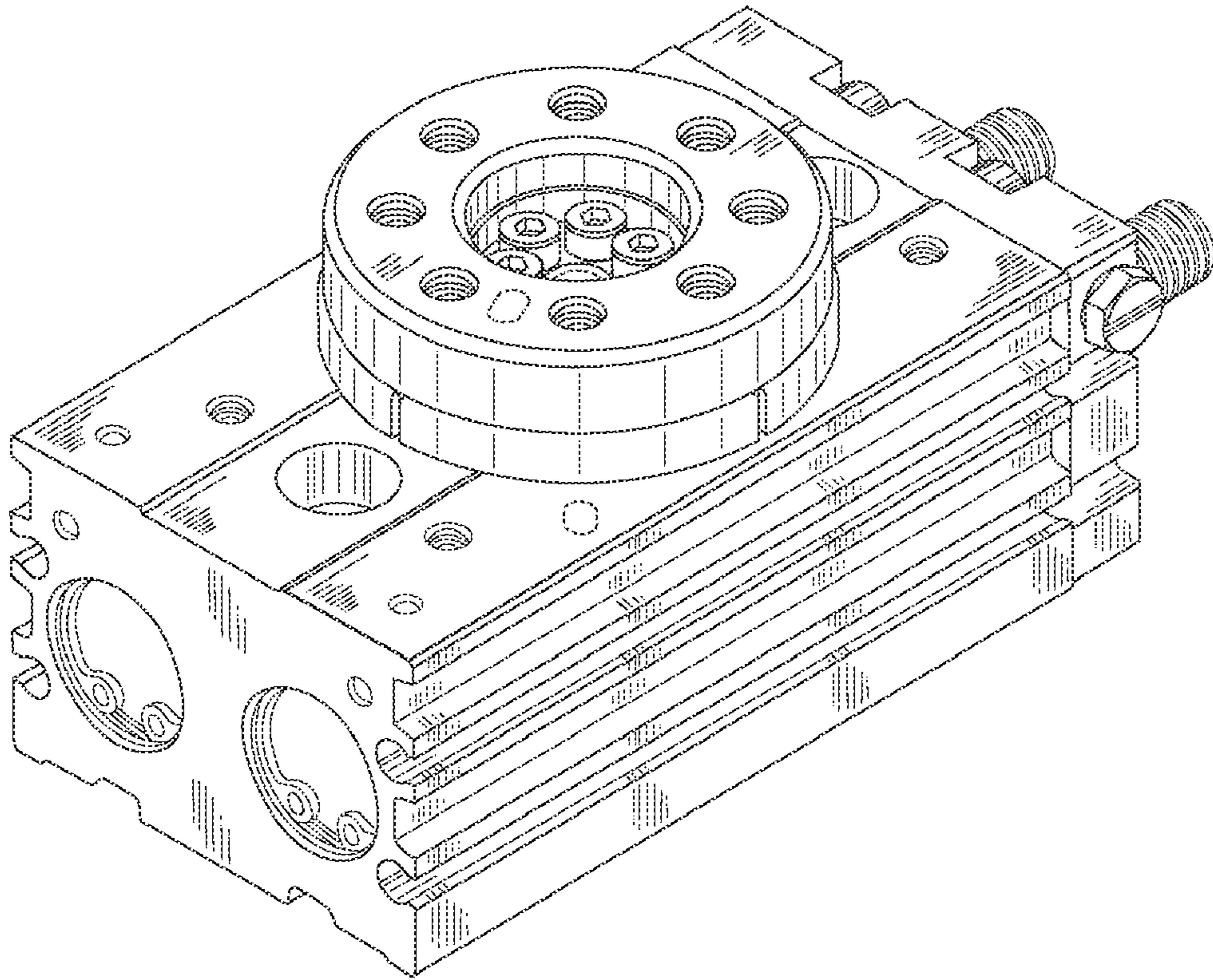


FIG. 8

