

US00D597111S

(12) **United States Design Patent**  
**Takeuchi et al.**

(10) **Patent No.:** **US D597,111 S**  
(45) **Date of Patent:** **\*\* Jul. 28, 2009**

(54) **ROTARY ACTUATOR**

(75) Inventors: **Kiyoshi Takeuchi**, Tsukubamirai (JP);  
**Takaaki Kobayashi**, Tsukubamirai (JP)

(73) Assignee: **SMC Corporation**, Chiyoda-ku, Tokyo  
(JP)

(\*\*) Term: **14 Years**

(21) Appl. No.: **29/313,422**

(22) Filed: **Jan. 5, 2009**

(30) **Foreign Application Priority Data**

Jul. 7, 2008 (JP) ..... 2008-017408

(51) **LOC (9) Cl.** ..... **15-09**

(52) **U.S. Cl.** ..... **D15/143**

(58) **Field of Classification Search** ..... D13/147,  
D13/148, 158; D15/5, 143, 148, 199; D23/233;  
74/89.15, 411.5, 490.09; 297/14, 325, 327;  
310/20, 80; 319/80; 414/560-569

See application file for complete search history.

(56) **References Cited**

**U.S. PATENT DOCUMENTS**

- D406,596 S \* 3/1999 Ziegler et al. .... D15/148
- D446,229 S \* 8/2001 Kaneko ..... D15/143
- D459,742 S \* 7/2002 Abrahamsen et al. .... D15/143
- D480,405 S \* 10/2003 Kleffmann et al. .... D15/143
- D542,682 S \* 5/2007 Waki ..... D10/85
- D554,164 S \* 10/2007 Naruse et al. .... D15/143
- D561,207 S \* 2/2008 Yaegashi ..... D15/143

- D572,282 S \* 7/2008 Yaegashi ..... D15/143
- D578,147 S \* 10/2008 Fukano et al. .... D15/143
- 2003/0041598 A1 \* 3/2003 Takeuchi et al. .... 60/591

\* cited by examiner

*Primary Examiner*—Sandra Snapp  
*Assistant Examiner*—Patricia Palasik  
(74) *Attorney, Agent, or Firm*—Yokoi & Co., U.S.A., Inc.;  
Peter Ganjian

(57) **CLAIM**

The ornamental design for a rotary actuator, as shown and described.

**DESCRIPTION**

FIG. 1 shows a front view of a rotary actuator showing my new design;

FIG. 2 shows a rear view thereof;

FIG. 3 shows a right side view thereof;

FIG. 4 shows a left side view thereof;

FIG. 5 shows a top view thereof;

FIG. 6 shows a bottom view thereof;

FIG. 7 shows a top, rear and left side perspective view thereof; and,

FIG. 8 shows a bottom, front and right side perspective view thereof.

The broken lines in the drawings depict unclaimed environmental subject matter.

**1 Claim, 4 Drawing Sheets**

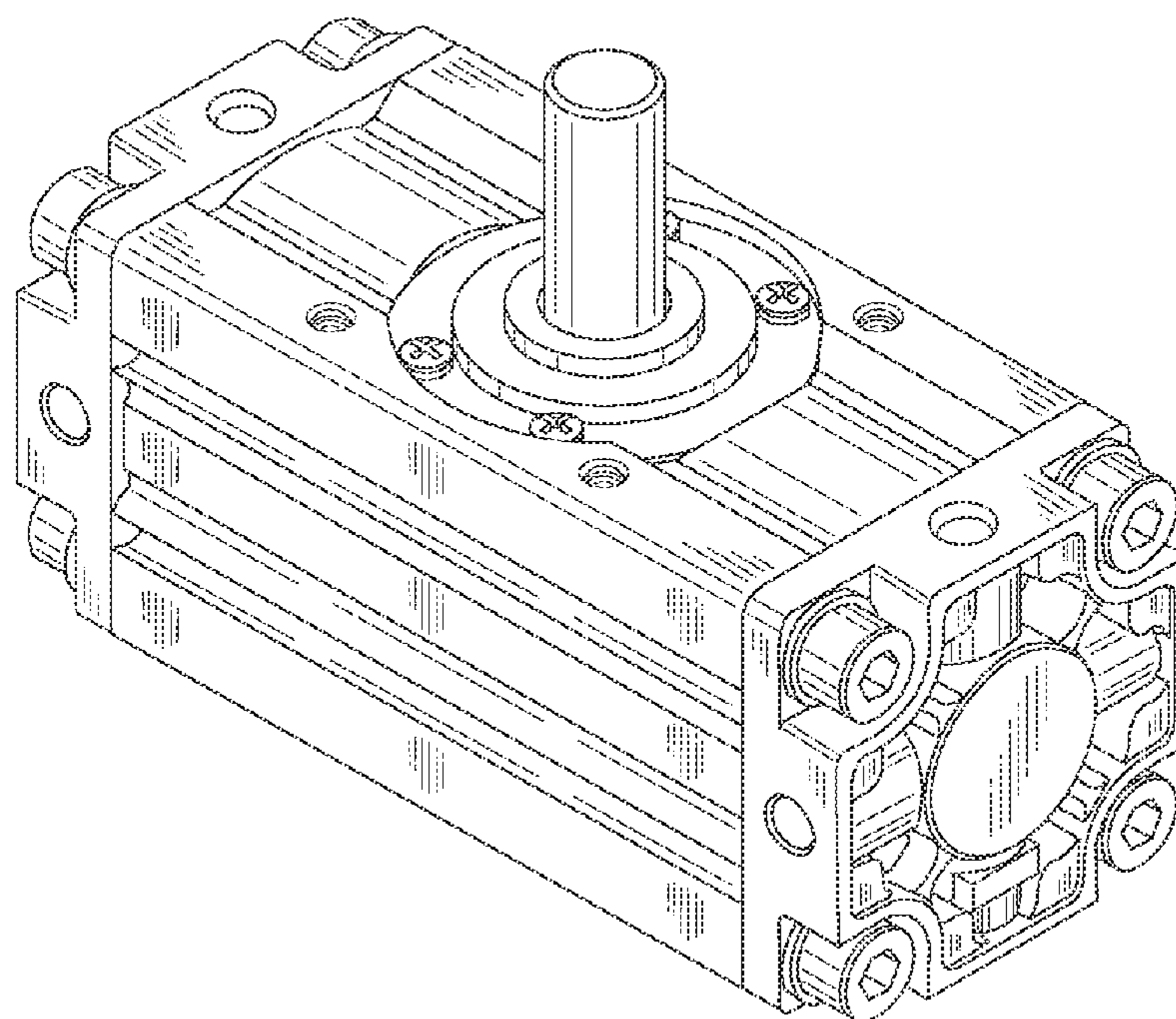


FIG. 1

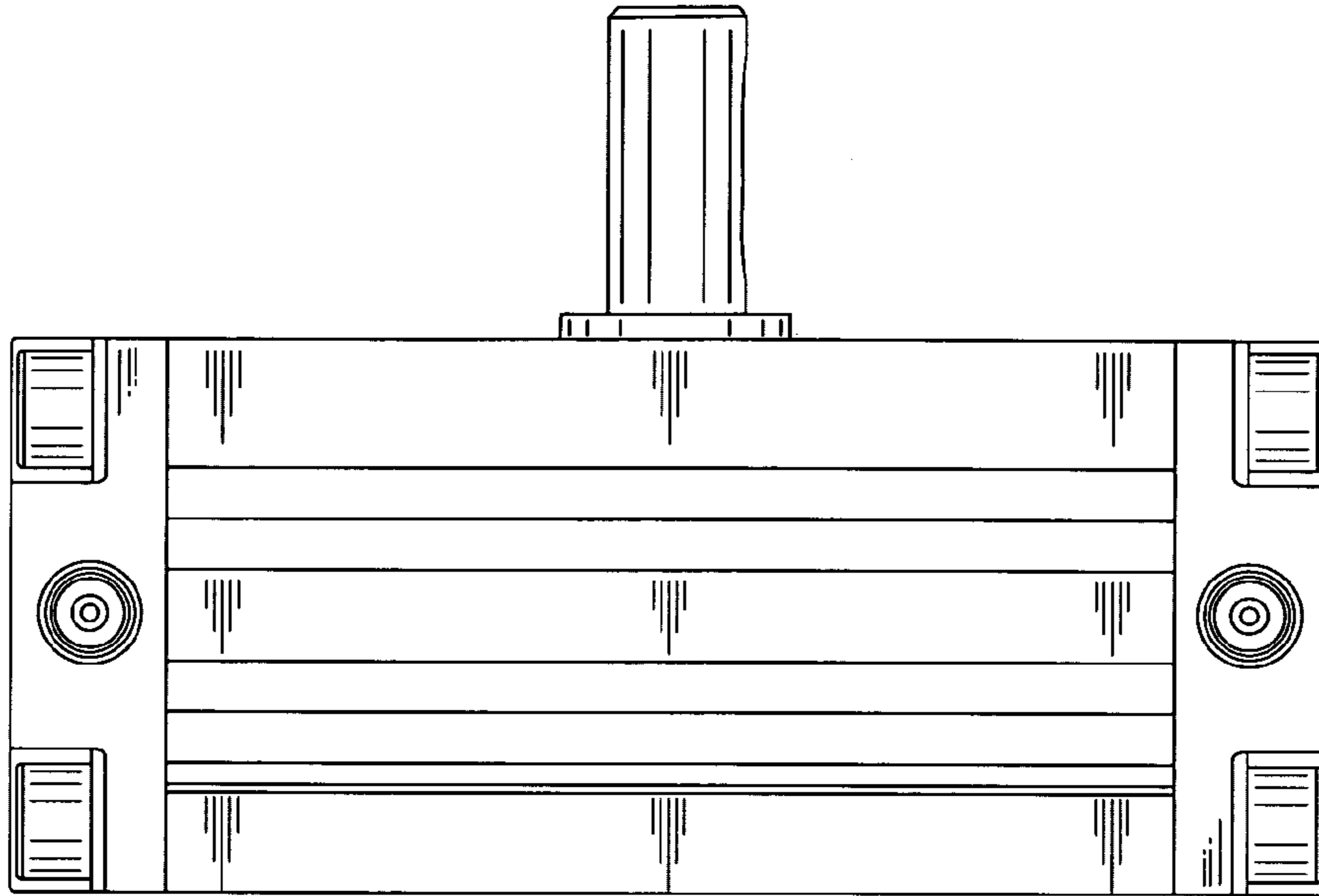


FIG. 2

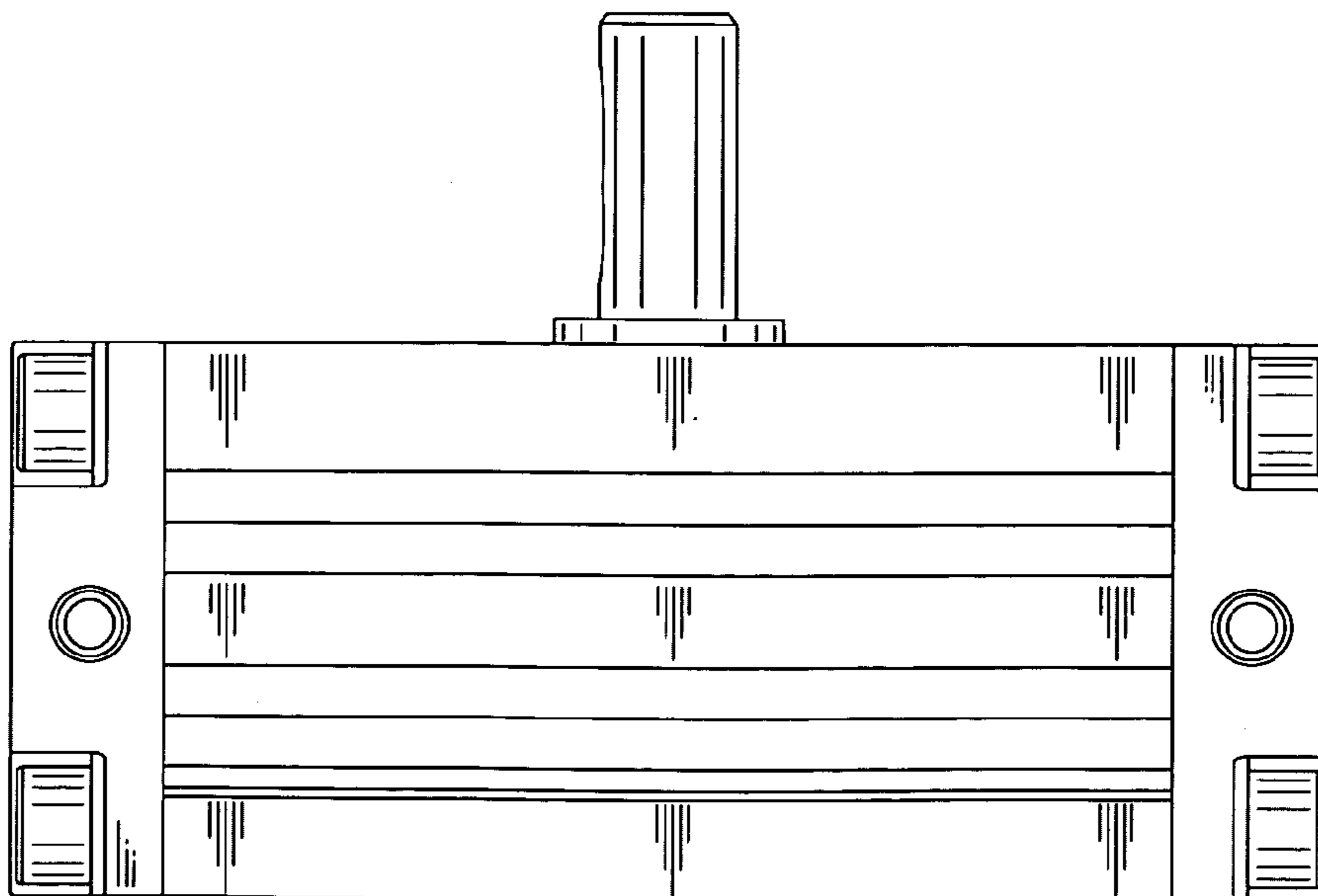


FIG. 3

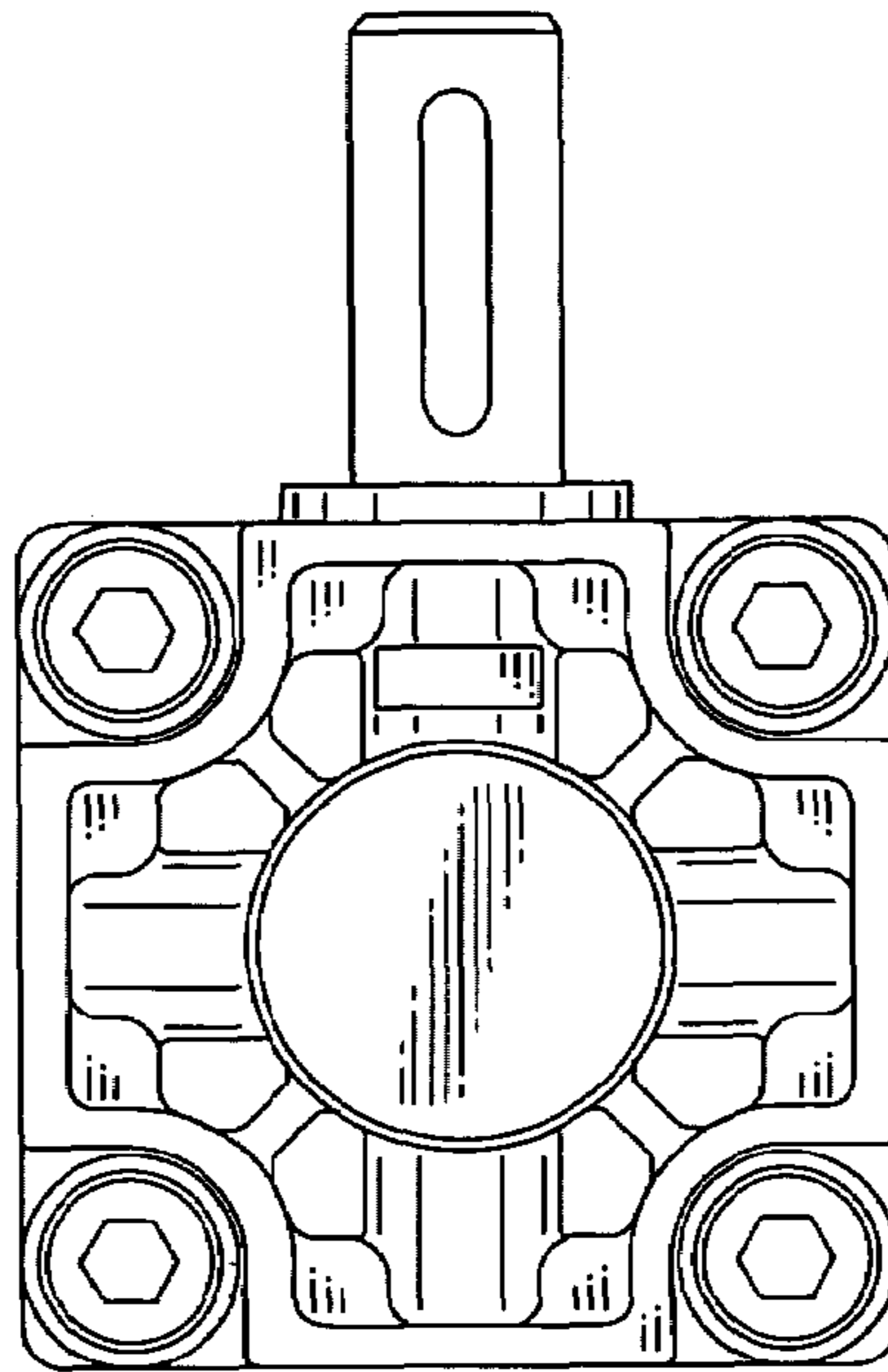


FIG. 4

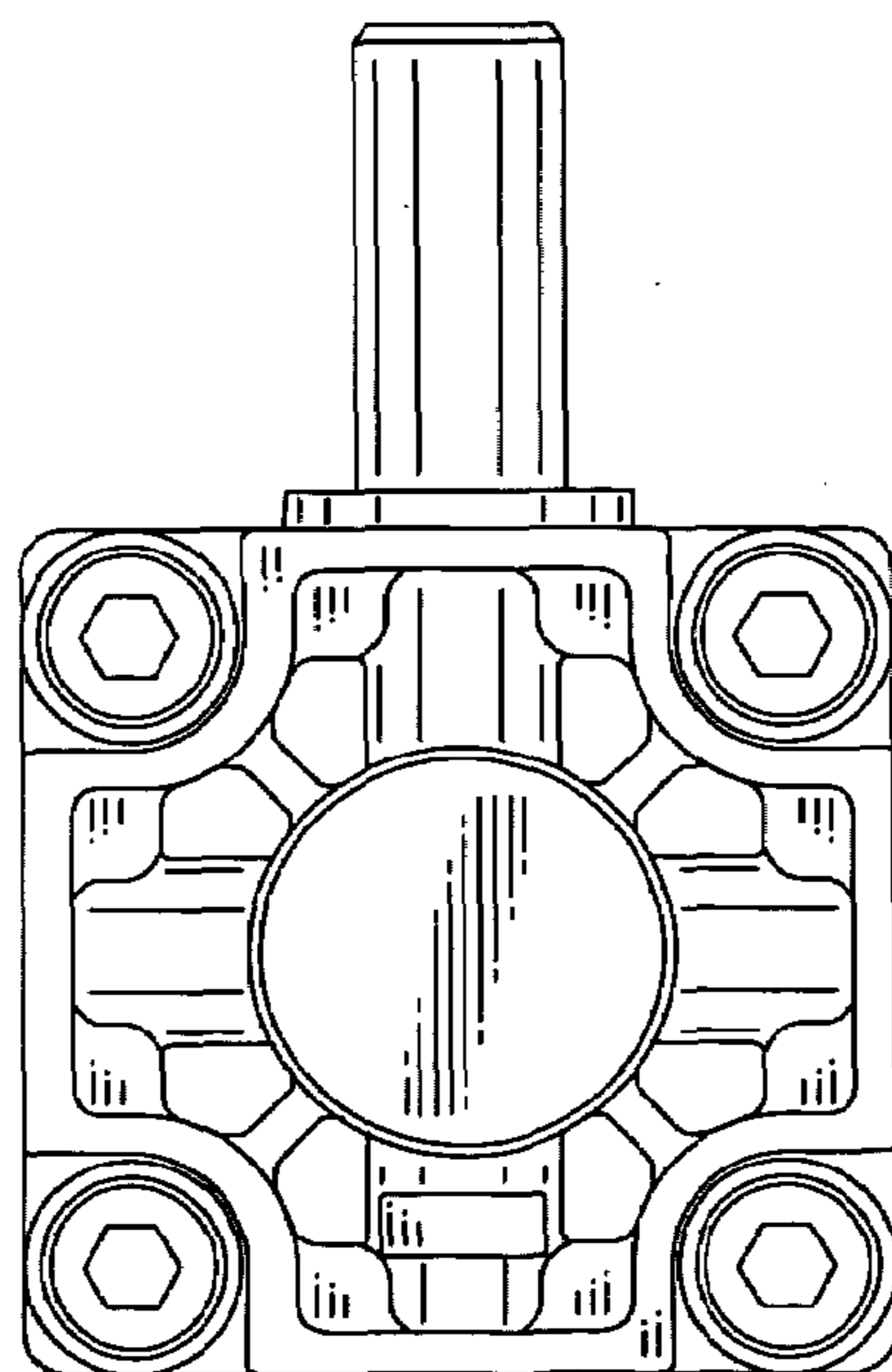


FIG. 5

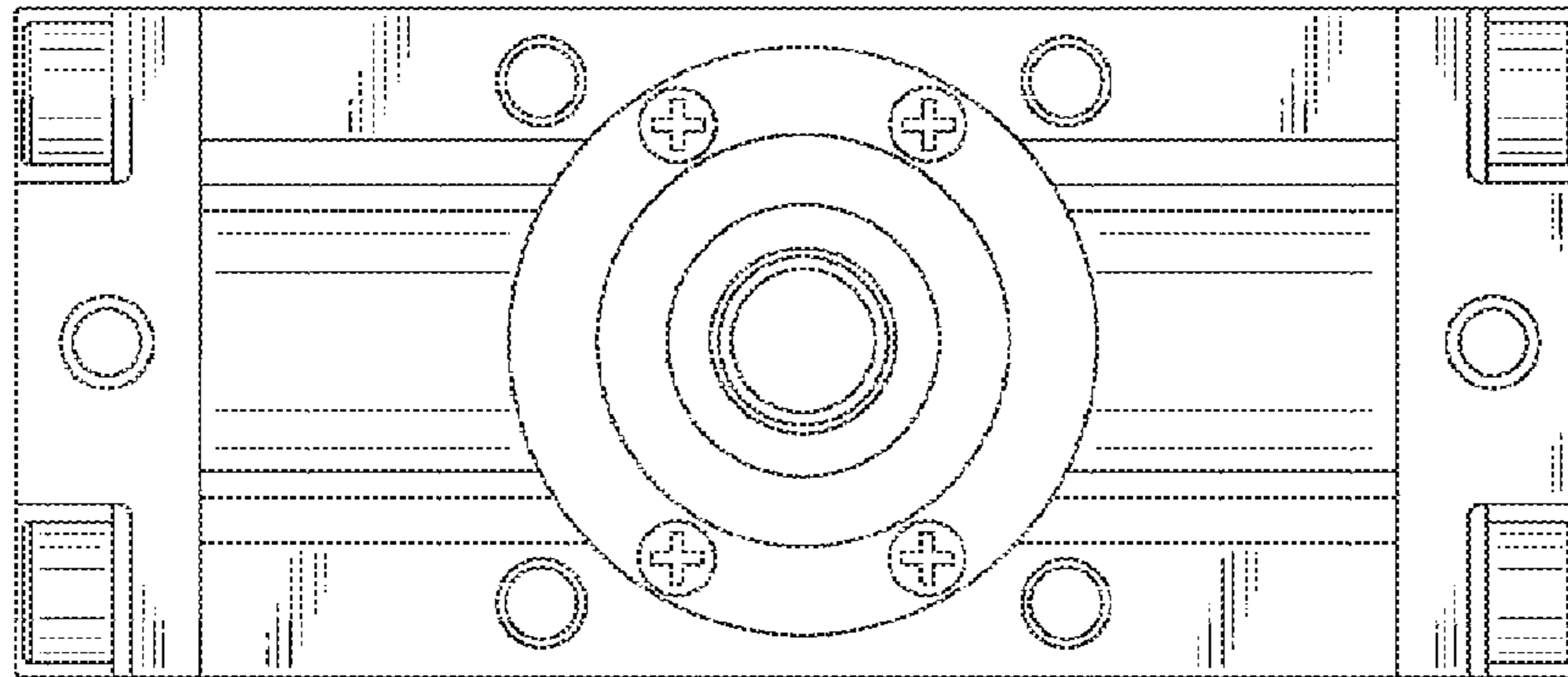


FIG. 6

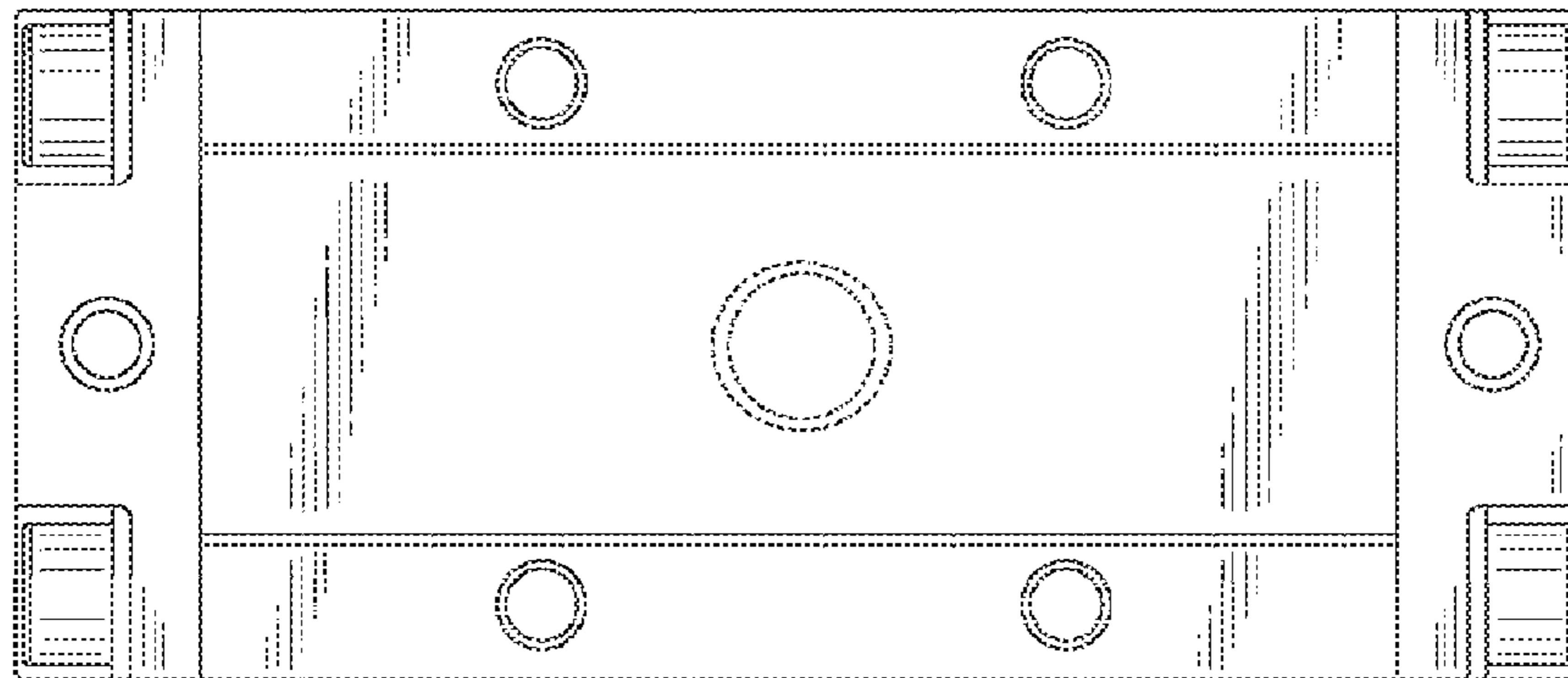


FIG. 7

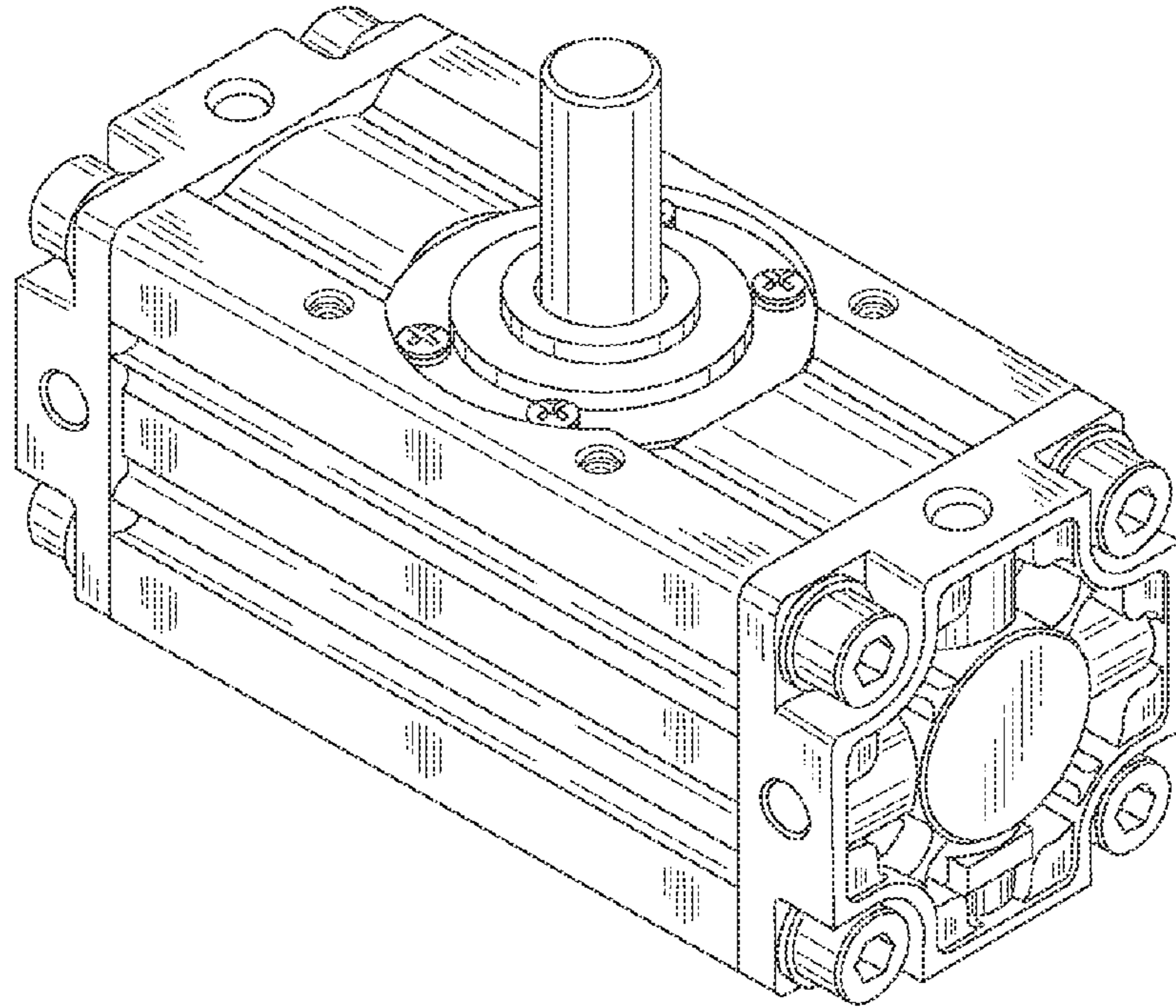


FIG. 8

