



US00D597110S

(12) **United States Design Patent**
Anitua Aldecoa

(10) **Patent No.:** **US D597,110 S**
(45) **Date of Patent:** **** Jul. 28, 2009**

(54) **RIDGE EXPANDER DRILL**

(75) Inventor: **Eduardo Anitua Aldecoa**, Vitoria (ES)

(73) Assignee: **Biotechnology Institute, I Mas D, S.L.**,
Vitoria (ES)

(**) Term: **14 Years**

(21) Appl. No.: **29/322,824**

(22) Filed: **Aug. 13, 2008**

Related U.S. Application Data

(62) Division of application No. 29/266,486, filed on Sep. 22, 2006.

(51) **LOC (9) Cl.** **15-09**

(52) **U.S. Cl.** **D15/139**

(58) **Field of Classification Search** D8/21-29,
D8/70, 721; D15/138, 139, 140; D24/107,
D24/155, 156; 433/141, 165, 173, 174, 176
See application file for complete search history.

(56) **References Cited**

U.S. PATENT DOCUMENTS

4,433,739 A * 2/1984 Sarin 175/420.1
D293,798 S * 1/1988 Johnson D15/140
D319,562 S * 9/1991 Ballard D8/29

D335,071 S * 4/1993 Fine D8/29
D353,756 S * 12/1994 Graves D8/29
D365,113 S * 12/1995 Ronan D15/140
5,813,296 A * 9/1998 Hoff et al. 81/177.85
D415,180 S * 10/1999 Rosanwo D15/140
6,598,500 B1 * 7/2003 Chivington 81/55
D493,081 S * 7/2004 Chen D8/29
D507,650 S * 7/2005 Teich D24/156

* cited by examiner

Primary Examiner—Sandra Snapp

Assistant Examiner—Patricia Palasik

(74) *Attorney, Agent, or Firm*—Browdy and Neimark,
P.L.L.C.

(57) **CLAIM**

The ornamental design for a ridge expander drill, as shown and described.

DESCRIPTION

FIG. 1 is a first perspective view of an embodiment of a ridge expander drill according to my design;

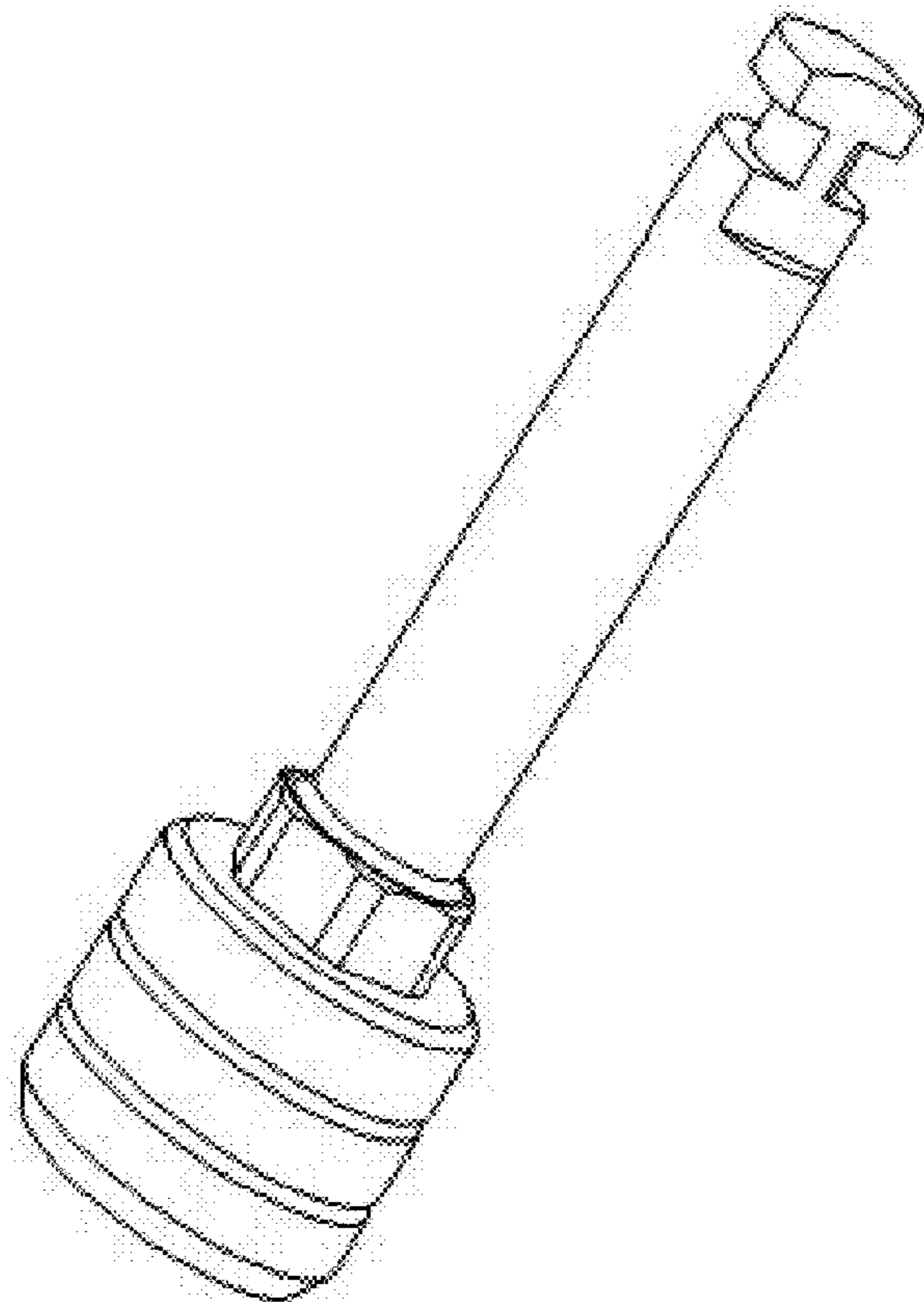
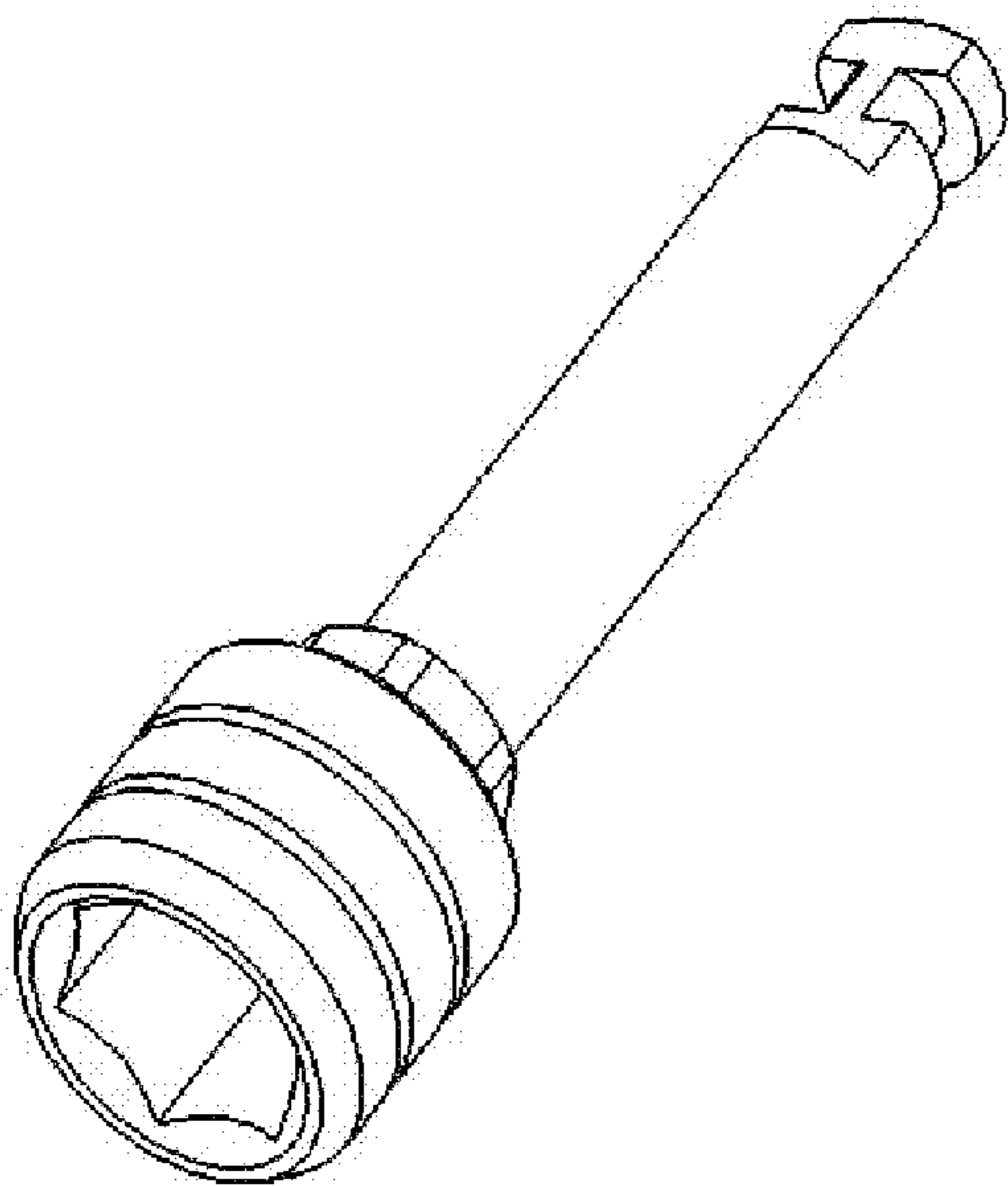
FIG. 2 is a second perspective view thereof;

FIG. 3 is an elevation view thereof;

FIG. 4 is a top plan view thereof; and,

FIG. 5 is a bottom plan view thereof.

1 Claim, 1 Drawing Sheet



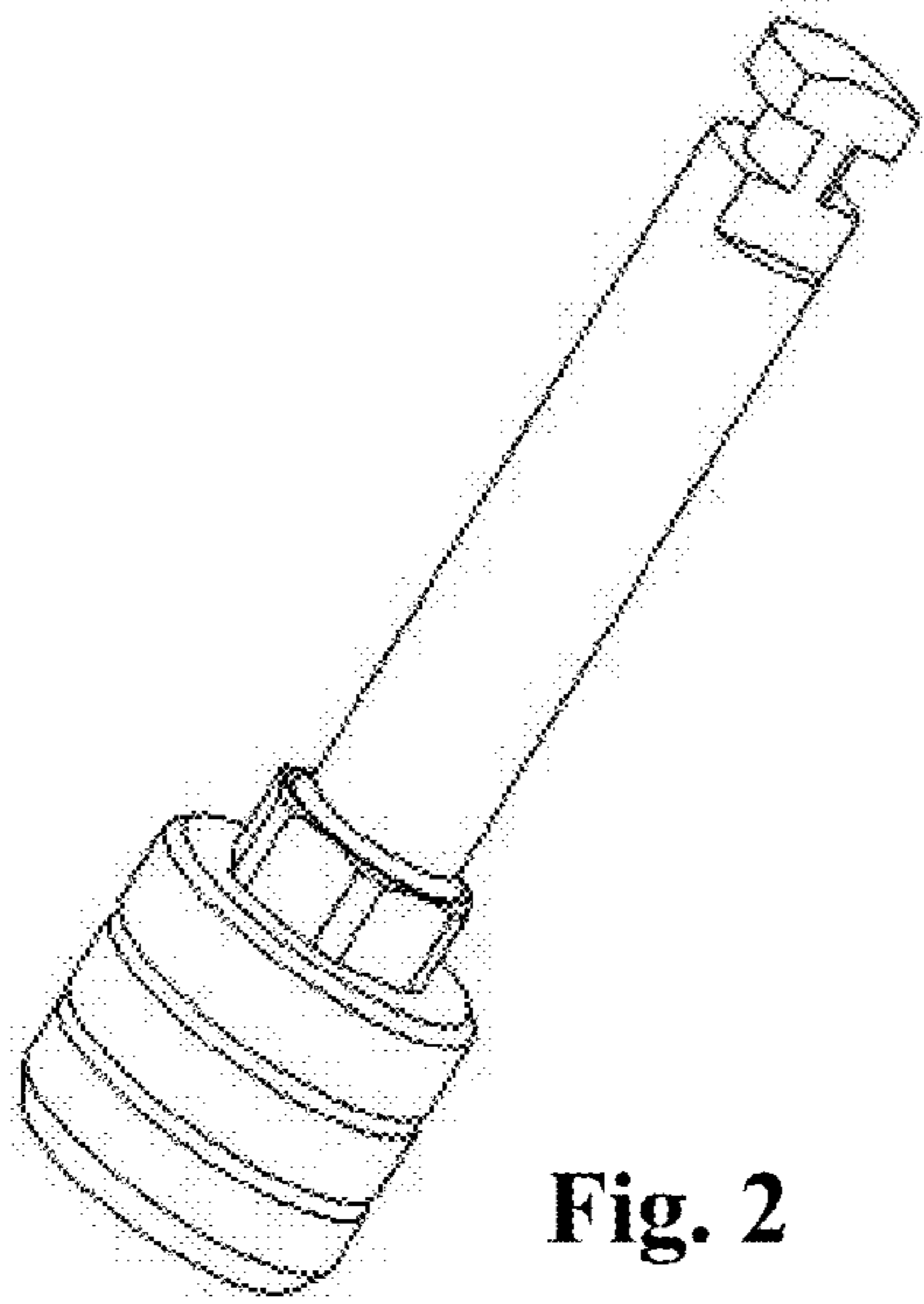


Fig. 2

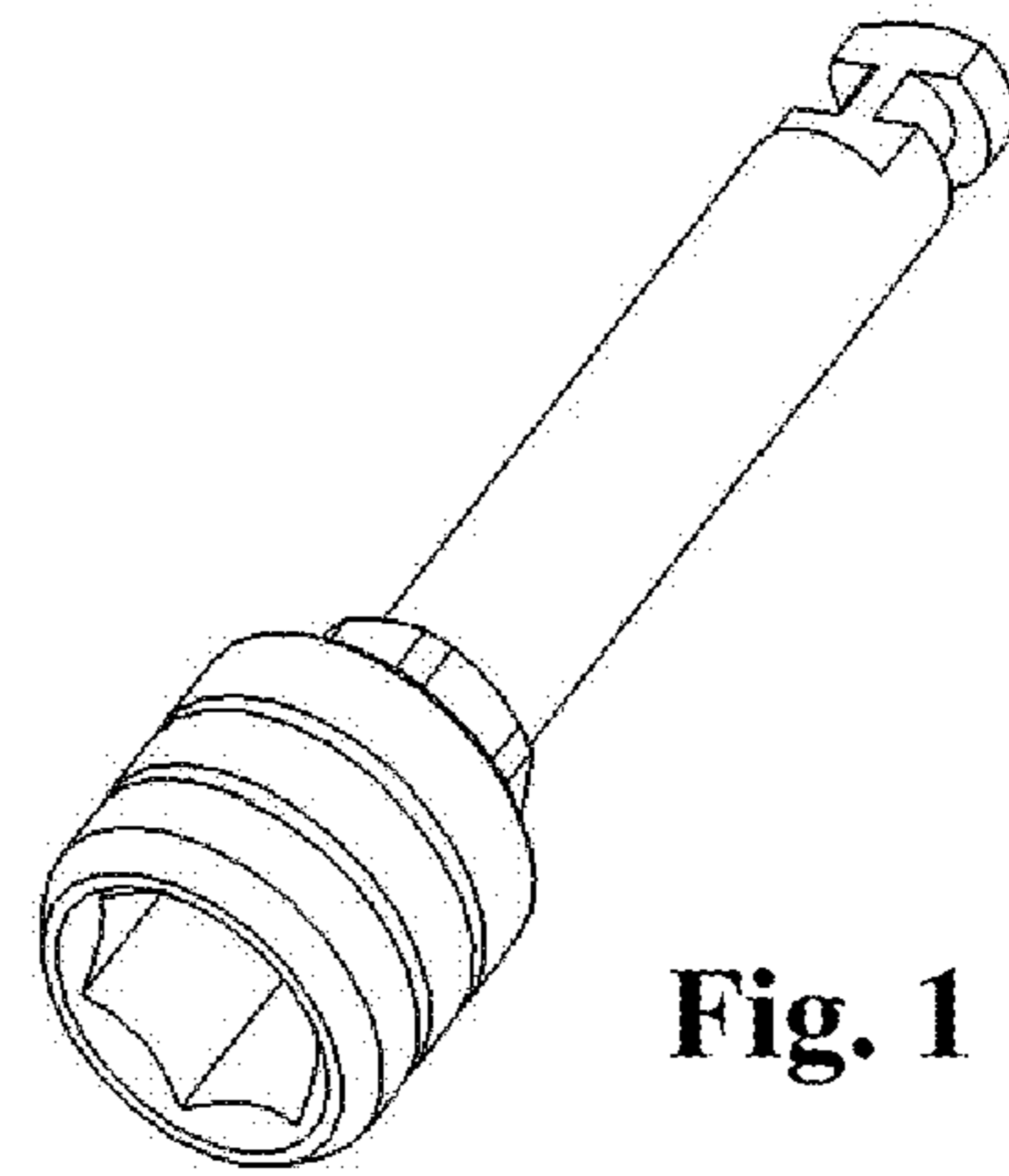


Fig. 1

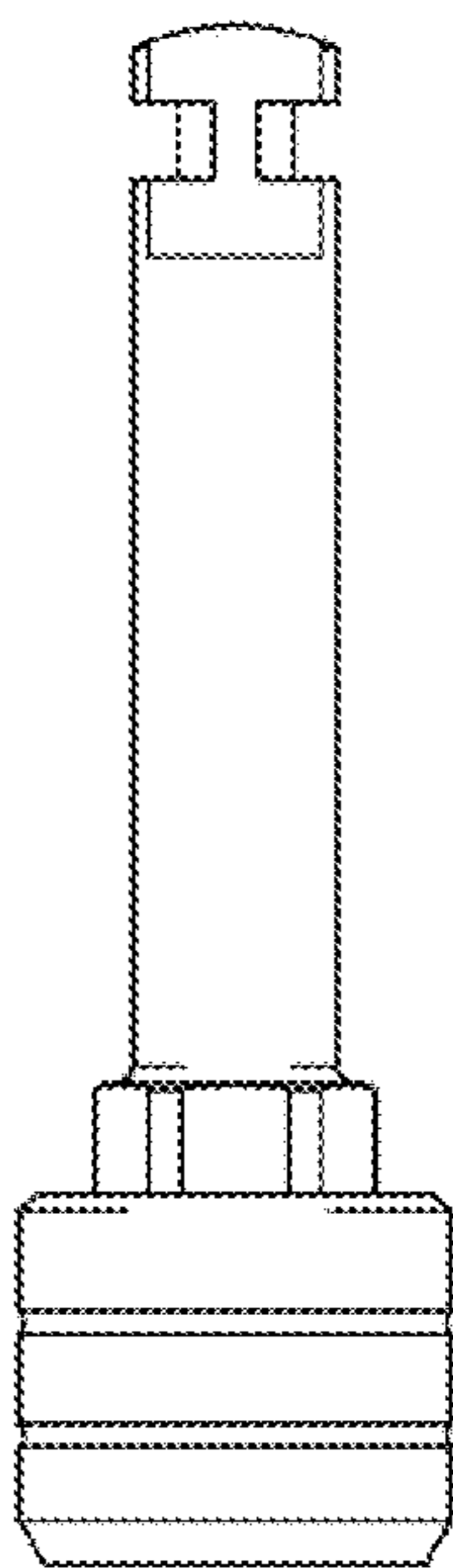


Fig. 3

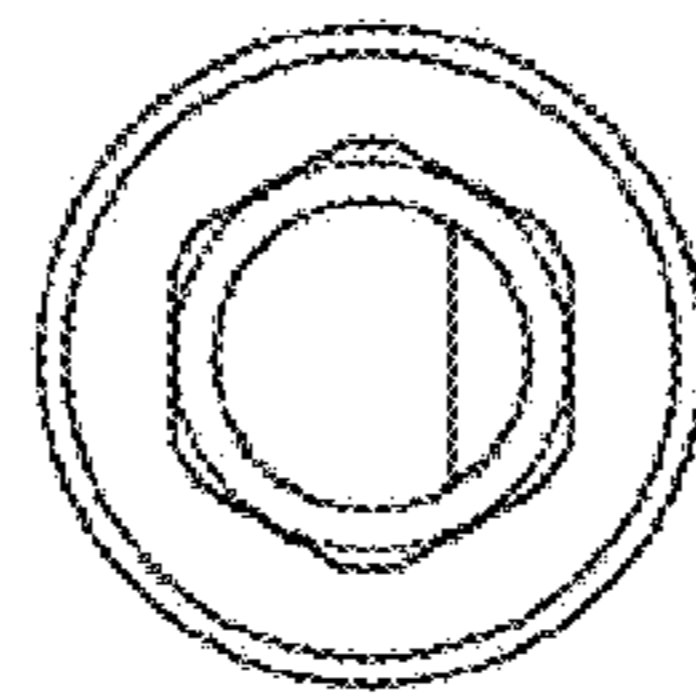


Fig. 4

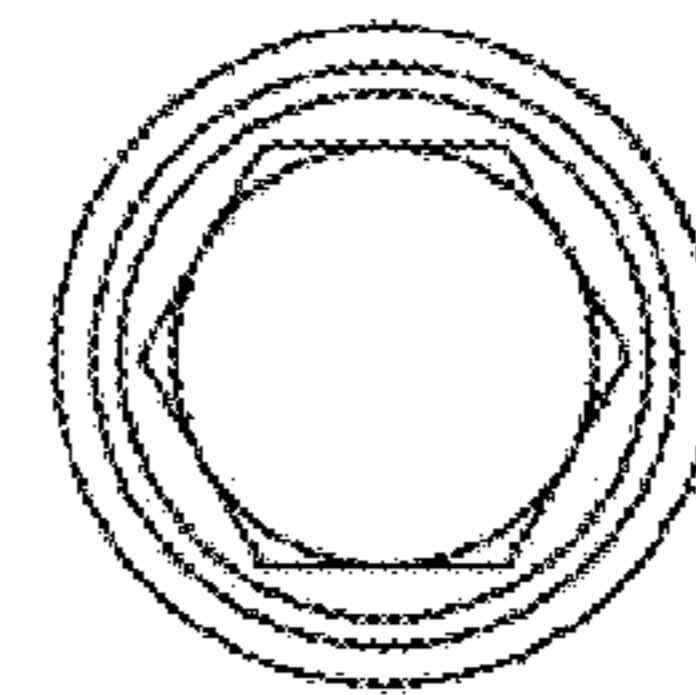


Fig. 5