



US00D597108S

(12) **United States Design Patent**
Dore

(10) **Patent No.:** **US D597,108 S**
(45) **Date of Patent:** **** Jul. 28, 2009**

(54) **SIEVING HOPPER FOR ABRASIVE
BLASTING APPARATUS**

2003/0080030 A1* 5/2003 Nakano et al. 209/365.3
2008/0308469 A1* 12/2008 Kato 209/287

(75) Inventor: **David James Dore**, Derbyshire (GB)

* cited by examiner

(73) Assignee: **Quill International Group Limited**,
Derbyshire (GB)

Primary Examiner—Sandra Snapp
Assistant Examiner—Patricia Palasik
(74) *Attorney, Agent, or Firm*—Egbert Law Offices PLLC

(**) Term: **14 Years**

(21) Appl. No.: **29/324,434**

(22) Filed: **Sep. 11, 2008**

(30) **Foreign Application Priority Data**

Apr. 9, 2008 (EM) 000913470-0001

(51) **LOC (9) Cl.** **15-09**

(52) **U.S. Cl.** **D15/126**

(58) **Field of Classification Search** D15/126,
D15/199; 198/302, 313, 314, 315, 317, 632;
209/241, 247, 420, 421

See application file for complete search history.

(56) **References Cited**

U.S. PATENT DOCUMENTS

3,719,276 A * 3/1973 Allen et al. 209/240
4,062,768 A * 12/1977 Elliot 209/341
4,591,432 A * 5/1986 Hartl 209/247

(57) **CLAIM**

The ornamental design for a sieving hopper for abrasive blasting apparatus, as shown and described.

DESCRIPTION

The sieving hopper for abrasive blasting apparatus is used in a blasting apparatus having a pressure vessel to contain a particulate blasting medium and a liquid.

FIG. 1 is an upper perspective view of the sieving hopper for abrasive blasting apparatus showing my design.

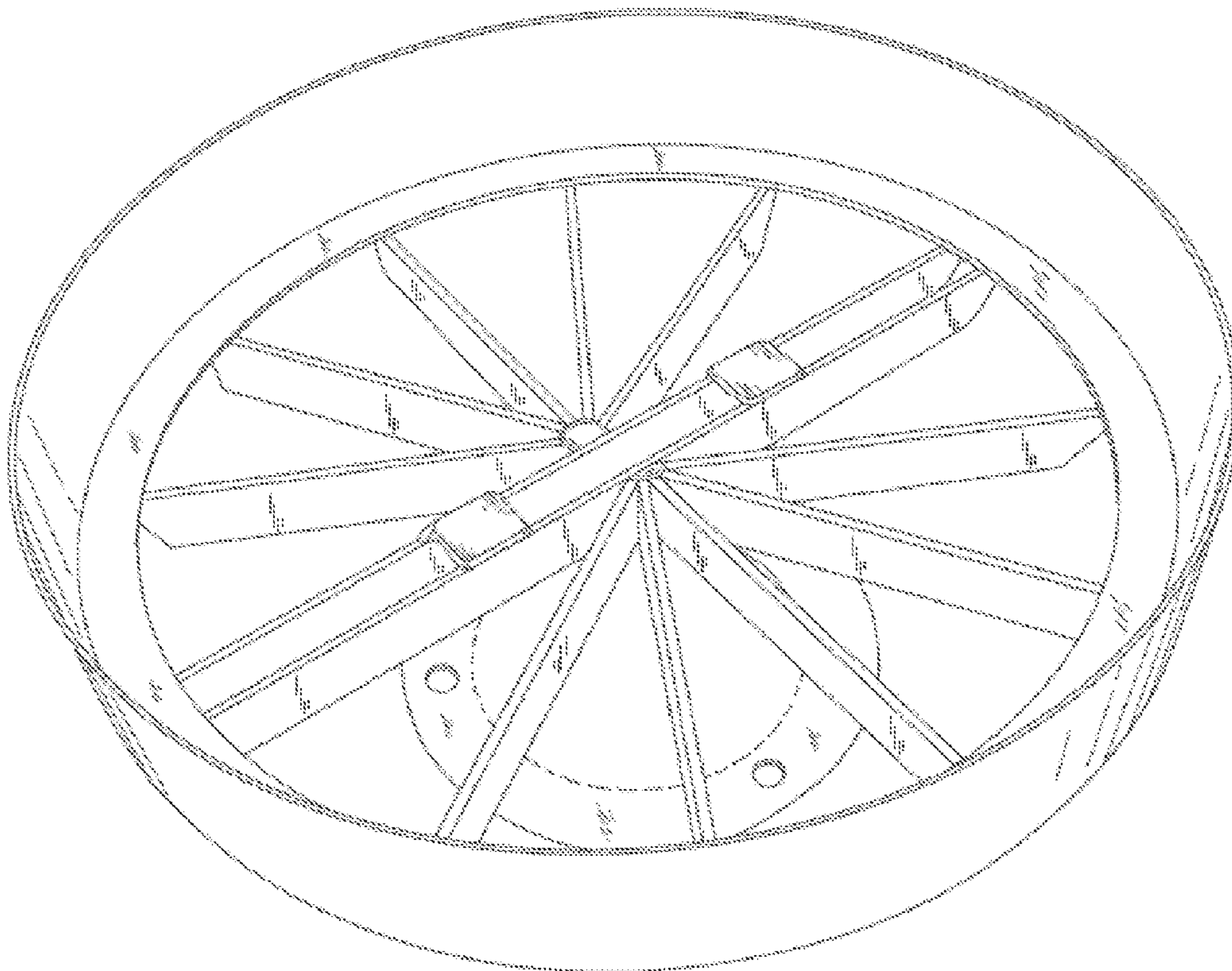
FIG. 2 is a top plan view thereof;

FIG. 3 is a bottom view thereof; and,

FIG. 4 is a side view thereof, a front, back and opposite side view being identical thereto.

The broken lines in the drawings depict unclaimed environmental subject matter.

1 Claim, 4 Drawing Sheets



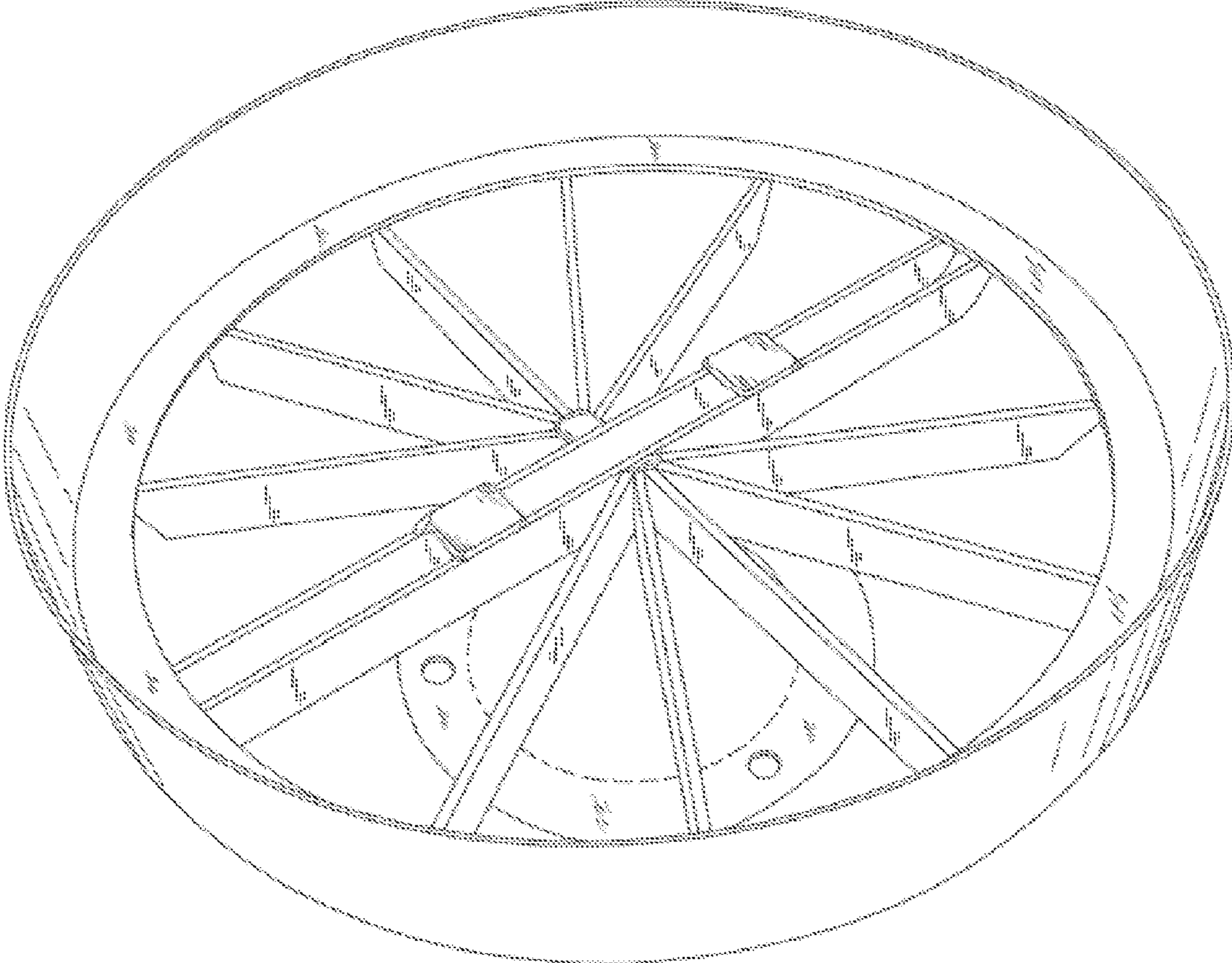


Fig. 1

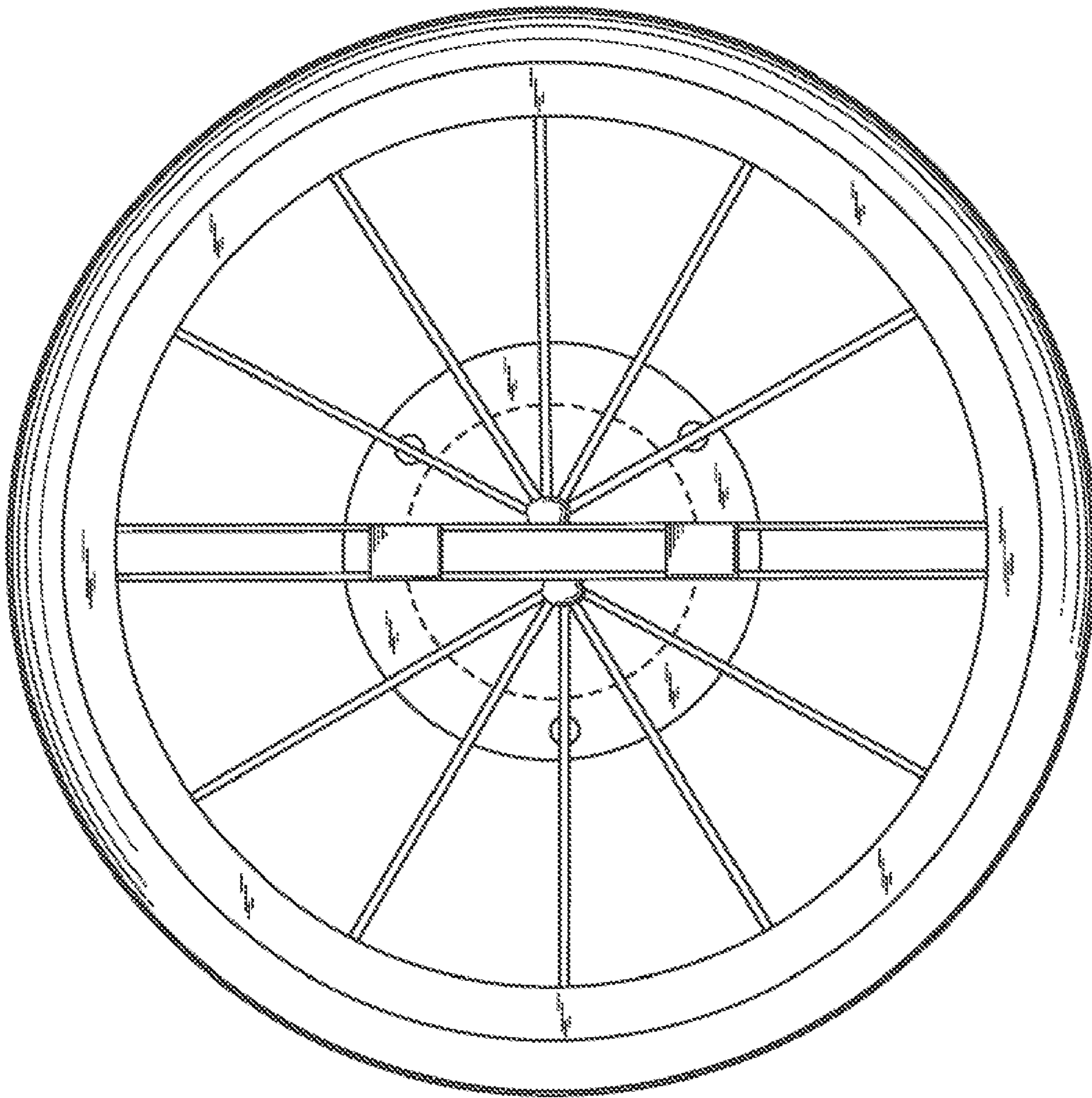


Fig. 2

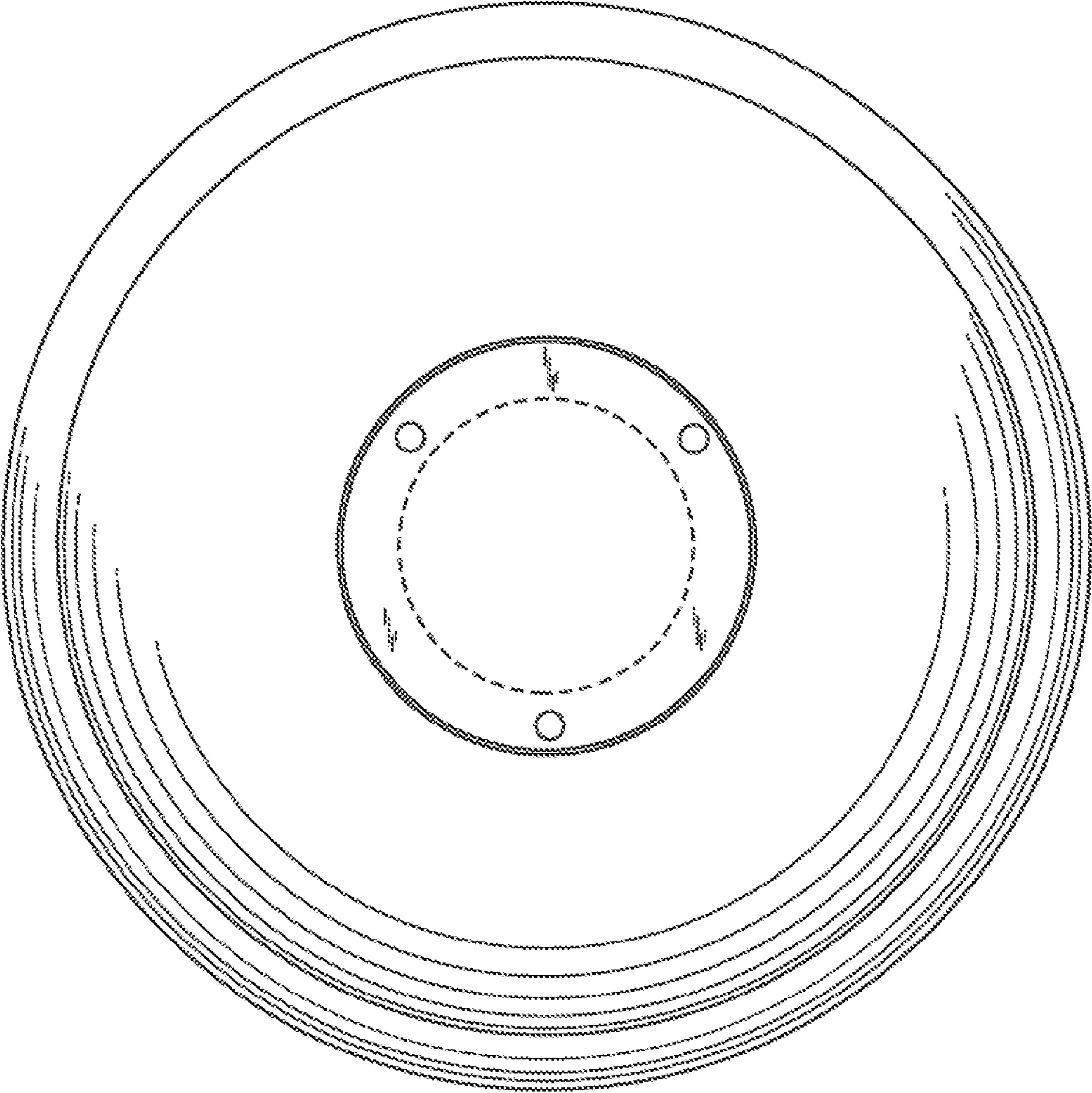


Fig. 3

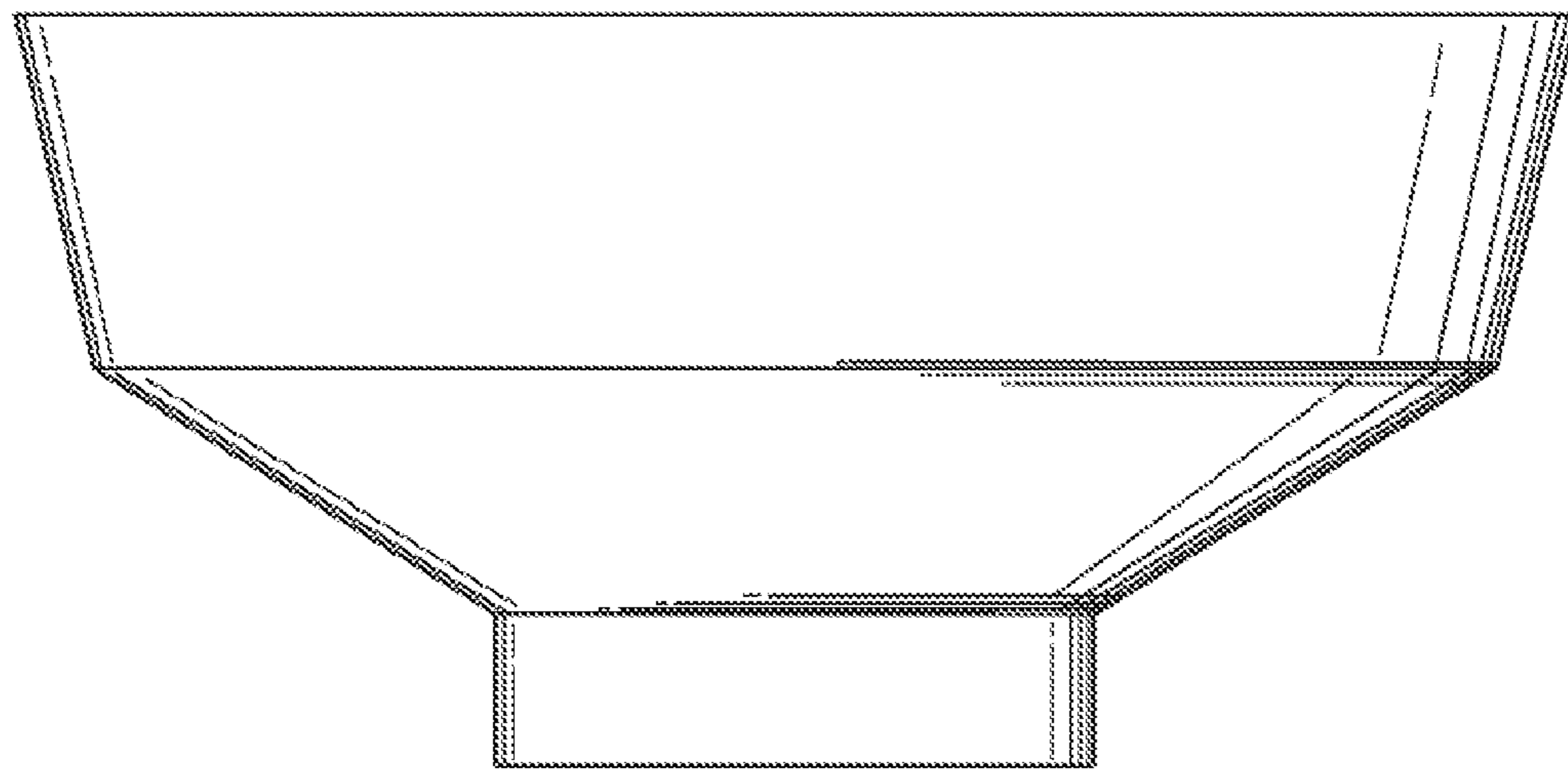


Fig. 4