



US00D597104S

(12) **United States Design Patent**
Curtis

(10) **Patent No.:** **US D597,104 S**
(45) **Date of Patent:** **** Jul. 28, 2009**

(54) **ENGINE**

(75) Inventor: **Russell Curtis**, Norwich (GB)

(73) Assignee: **Perusahaan Otomobil Nasional Sdn. Bhd.**, Selangor Darul Ehsan (MY)

(**) Term: **14 Years**

(21) Appl. No.: **29/264,749**

(22) Filed: **Aug. 17, 2006**

(30) **Foreign Application Priority Data**

Mar. 8, 2006 (MY) 06-00132

(51) **LOC (9) Cl.** **15-01**

(52) **U.S. Cl.** **D15/1**

(58) **Field of Classification Search** D15/1-5;
123/308, 667, 195 C, 23, 184.47, 572, 50 B,
123/198 E, 50 A, 50 R, 70 R, 306
See application file for complete search history.

(56) **References Cited**

U.S. PATENT DOCUMENTS

D293,114 S * 12/1987 Brogdon D15/1

D482,045 S * 11/2003 Iwata et al. D15/1
D489,076 S * 4/2004 Hiraiwa et al. D15/1
6,805,088 B2 * 10/2004 Tachibana et al. 123/184.47
2003/0015166 A1 * 1/2003 Seymour 123/198 R

* cited by examiner

Primary Examiner—Ian Simmons

Assistant Examiner—Wan Laymon

(74) *Attorney, Agent, or Firm*—Fay Sharpe LLP

(57) **CLAIM**

The ornamental design for an engine, as shown and described.

DESCRIPTION

FIG. 1 is a front perspective view of an engine showing my design;

FIG. 2 is a front view thereof;

FIG. 3 is a rear view thereof;

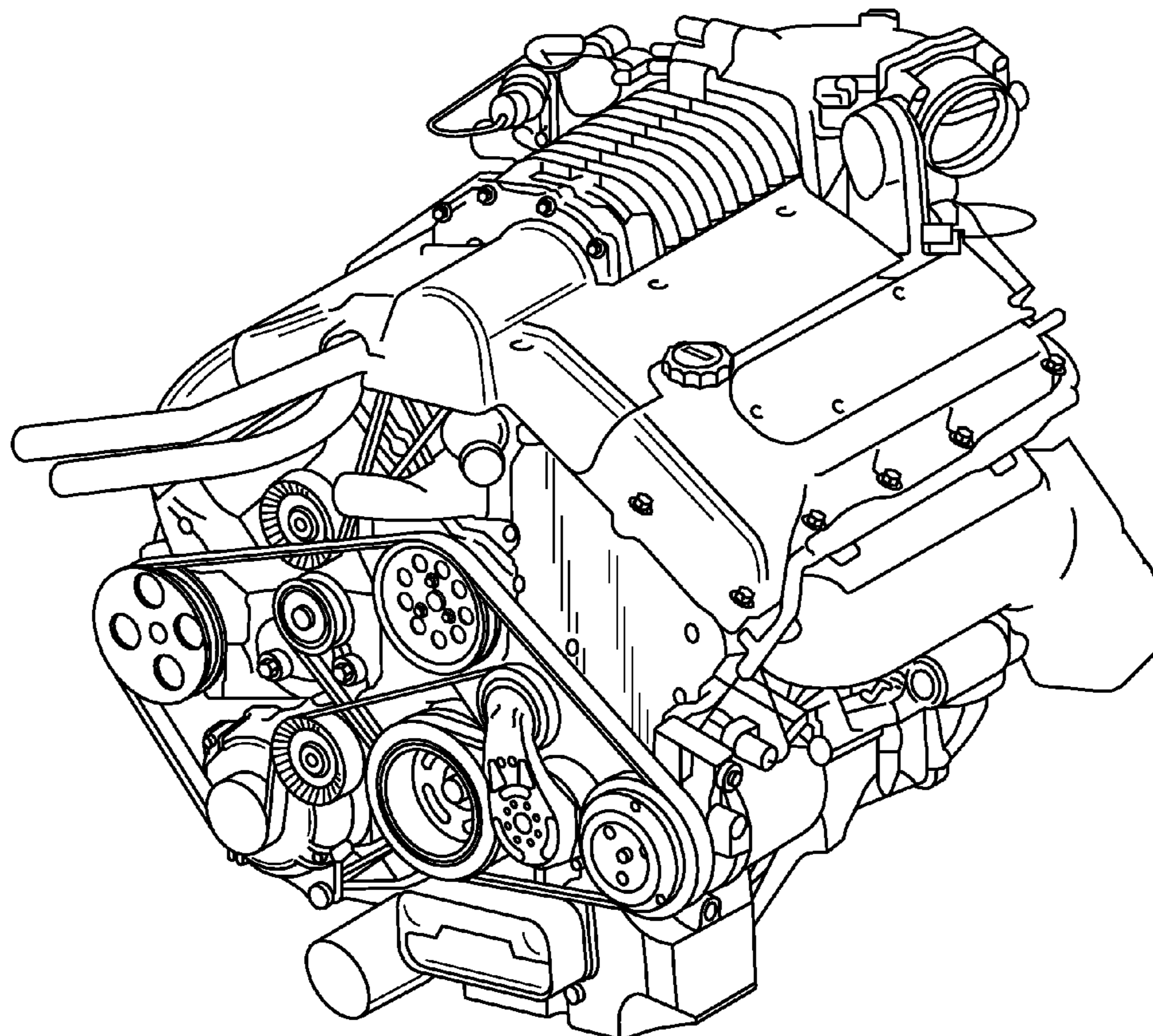
FIG. 4 is a left side view thereof;

FIG. 5 is a right side view thereof;

FIG. 6 is a top plan view thereof; and,

FIG. 7 is a bottom plan view thereof.

1 Claim, 7 Drawing Sheets



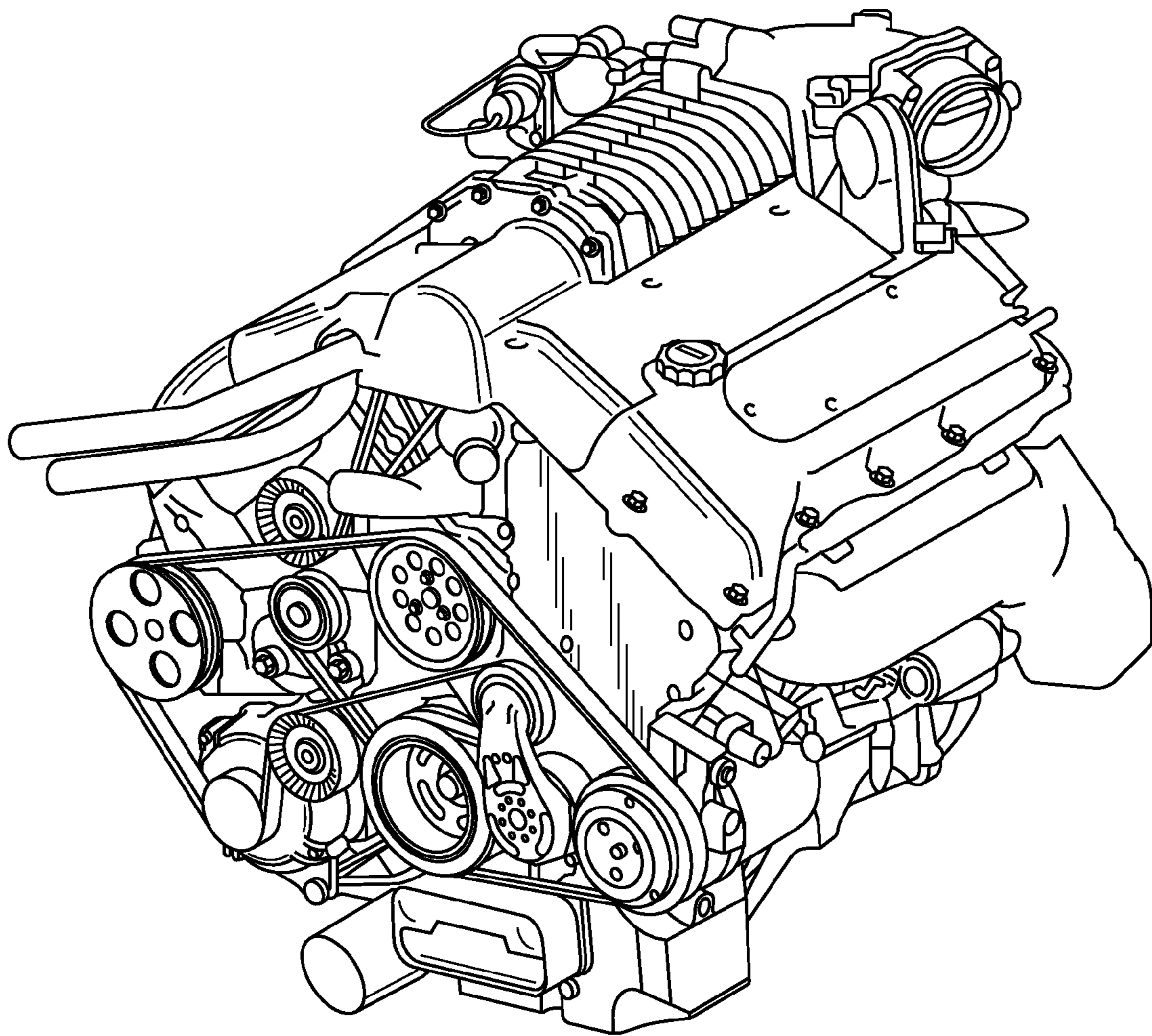


FIG. 1

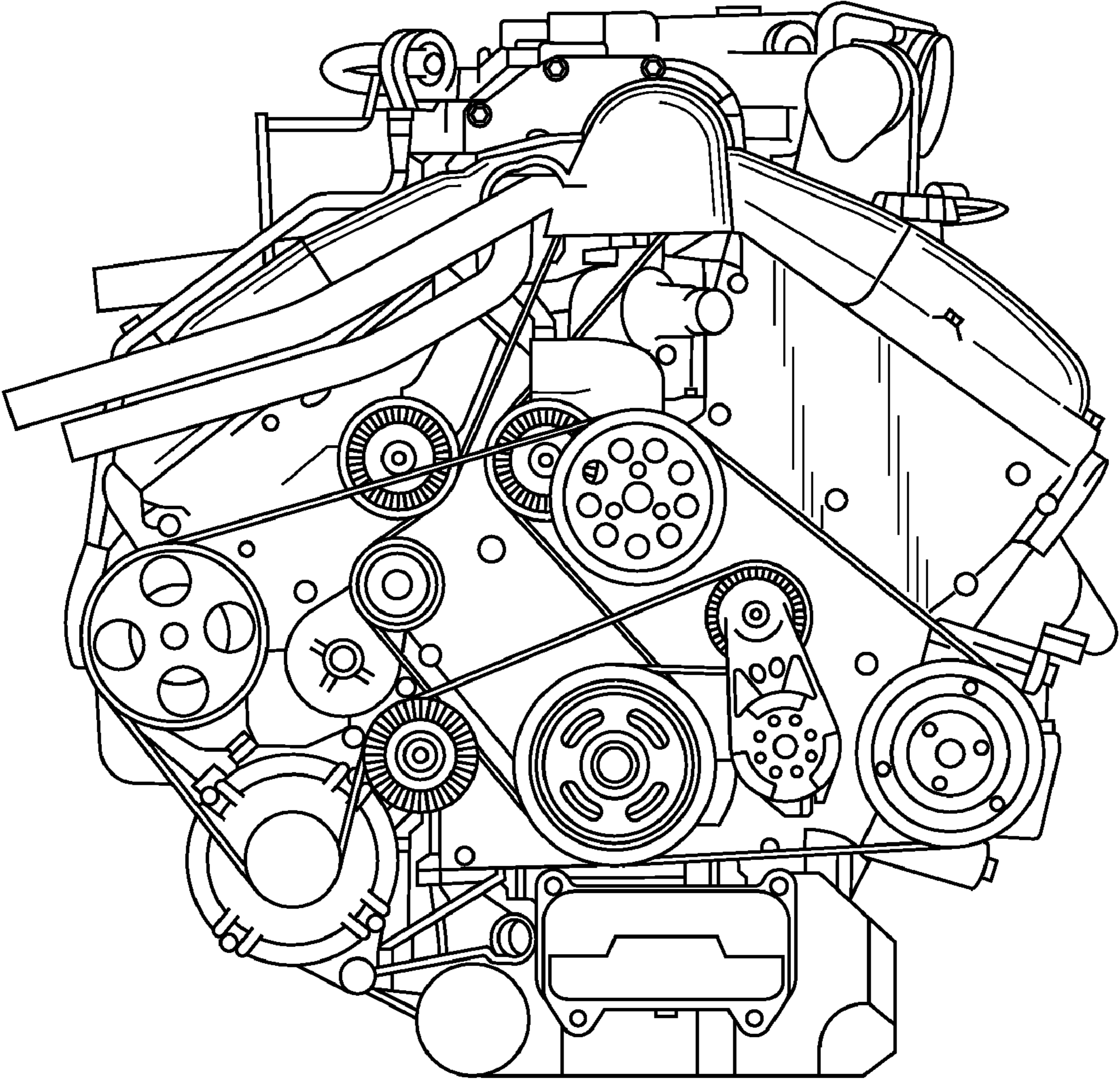


FIG. 2

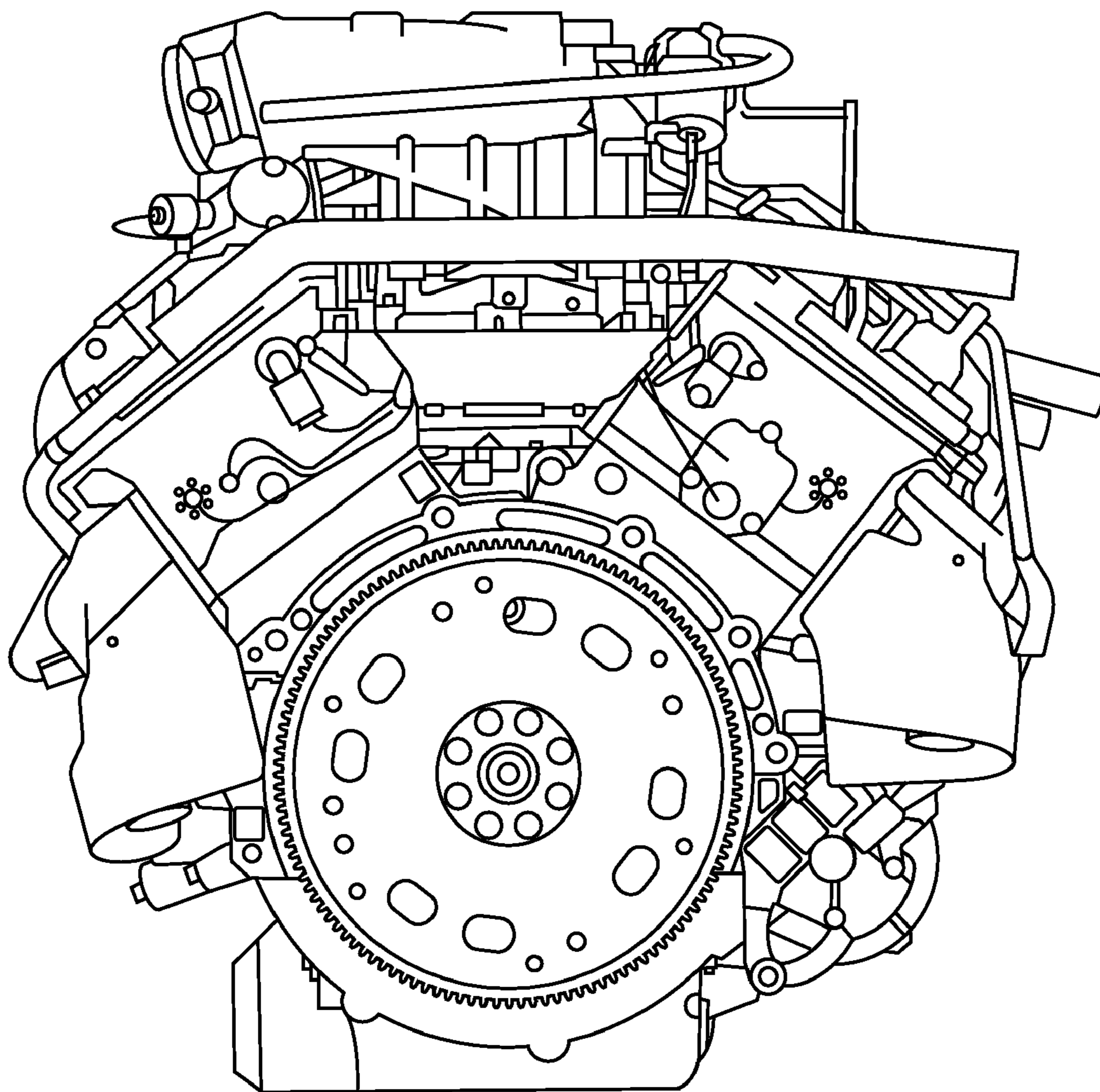


FIG. 3

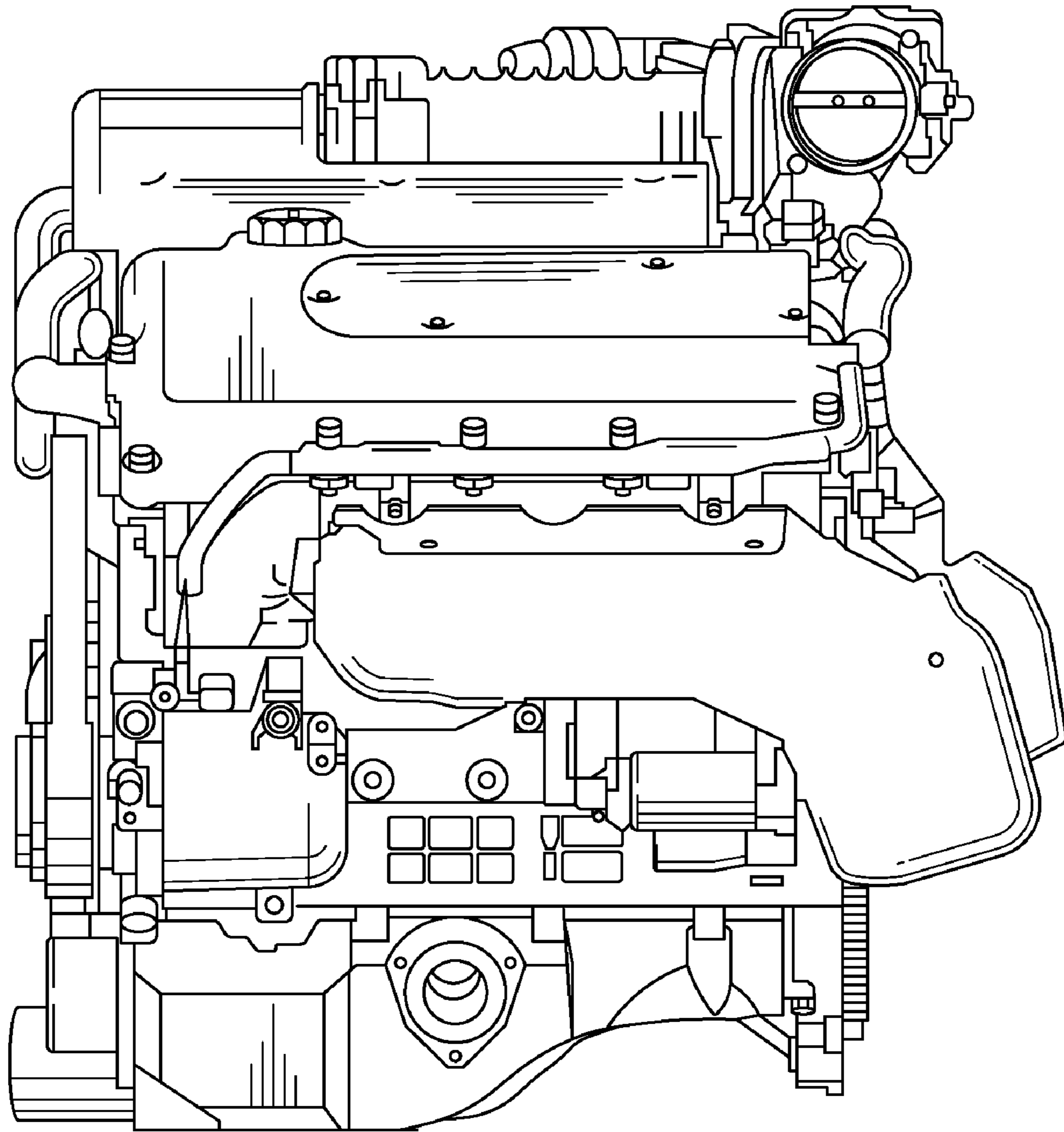


FIG. 4

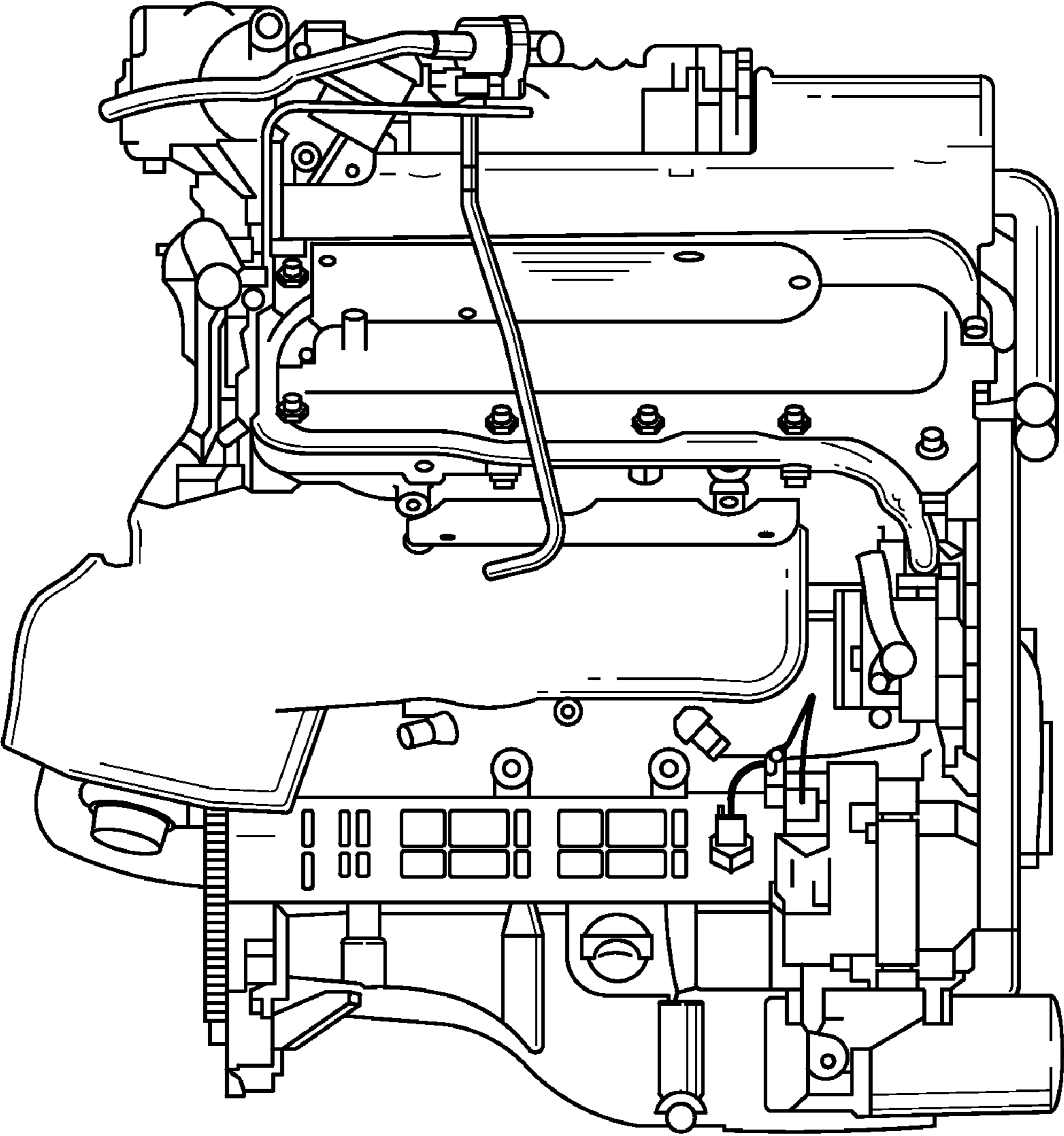


FIG. 5

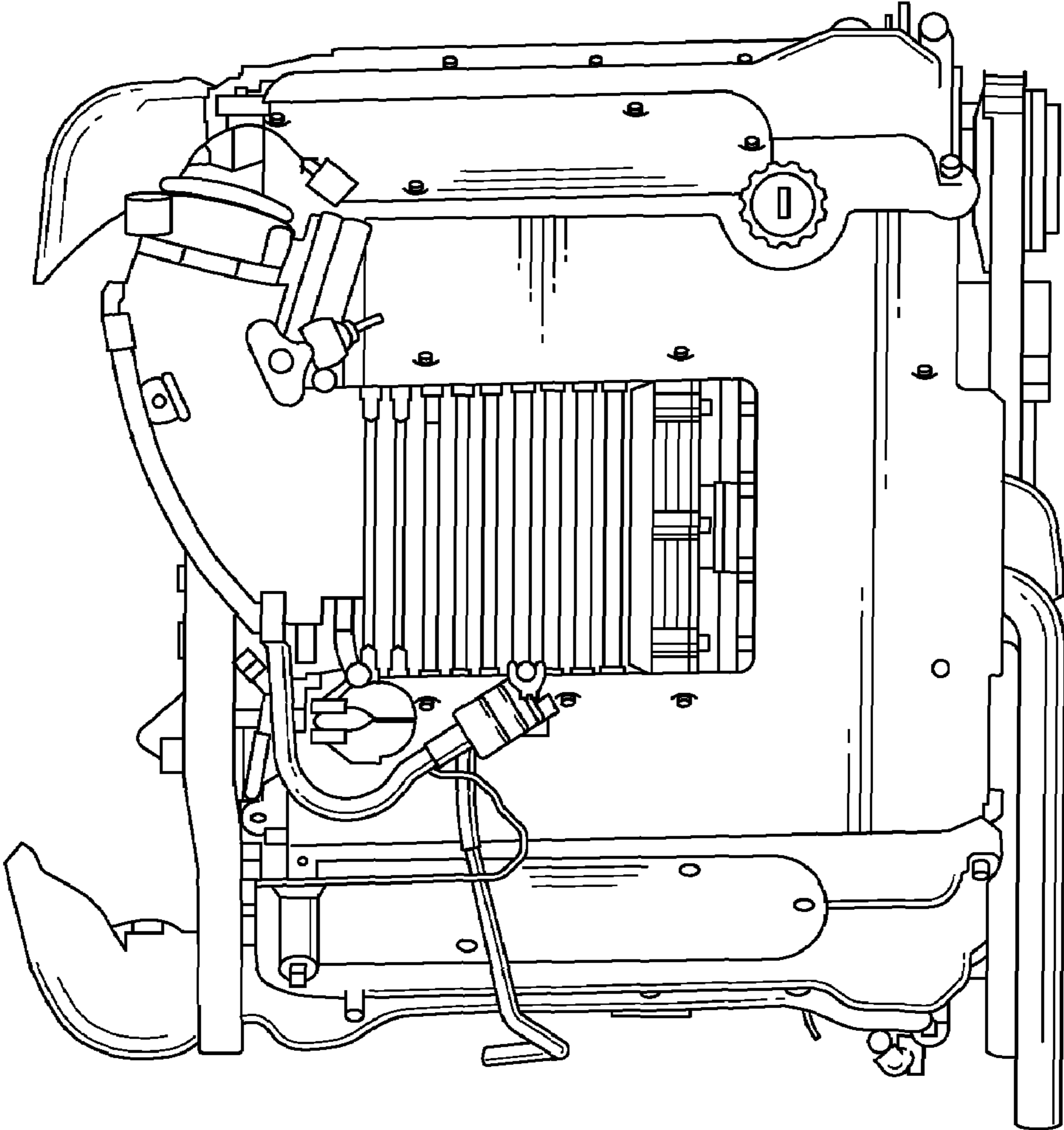


FIG. 6

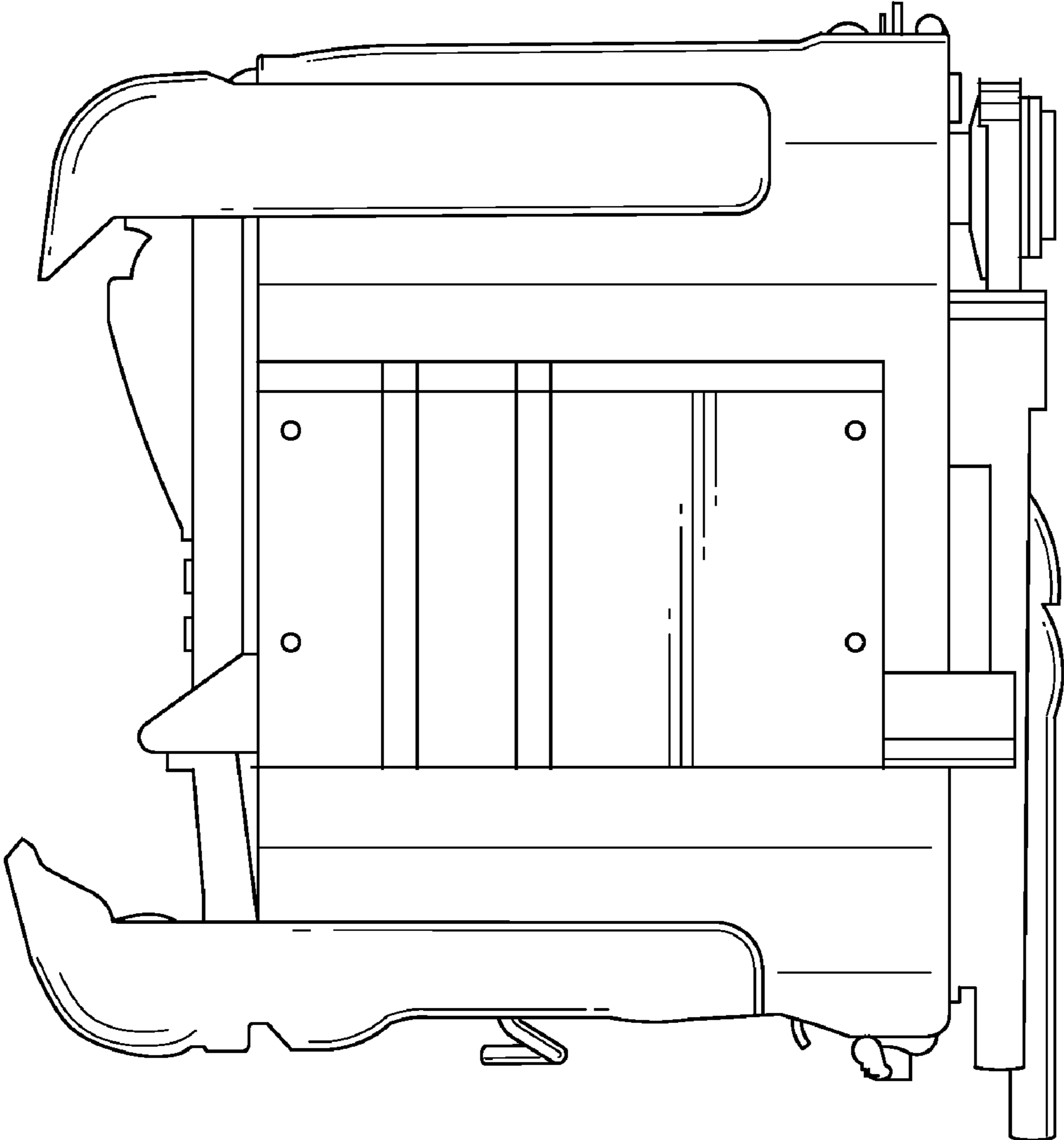


FIG. 7