



US00D597097S

(12) **United States Design Patent**
Yang et al.

(10) **Patent No.:** **US D597,097 S**
(45) **Date of Patent:** **** Jul. 28, 2009**

(54) **FRONT BEZEL FOR COMPUTER ENCLOSURE**

(75) Inventors: **Fei Yang**, Shenzhen (CN); **Guang-Yao Lee**, Taipei Hsien (TW); **Chao-Chi Chang**, Taipei Hsien (TW); **Yun-Dong Xu**, Shenzhen (CN)

(73) Assignee: **Hon Hai Precision Industry Co., Ltd.**, Tu-Cheng, Taipei Hsien (TW)

(**) Term: **14 Years**

(21) Appl. No.: **29/323,217**

(22) Filed: **Aug. 21, 2008**

(30) **Foreign Application Priority Data**

Mar. 3, 2008 (TW) 97301183

(51) **LOC (9) Cl.** **14-02**

(52) **U.S. Cl.** **D14/444**

(58) **Field of Classification Search** D14/441-446,
D14/356, 313, 360-368; D13/162, 184,
D13/199; 312/223.2; 361/686, 690-696,
361/679.55; 369/34.01, 36.01; D6/300;
360/92.1

See application file for complete search history.

(56) **References Cited**

U.S. PATENT DOCUMENTS

5,169,218 A * 12/1992 Chu 312/223.2

D435,560 S * 12/2000 Jean et al. D14/444
D466,126 S * 11/2002 Chen et al. D14/446
D516,569 S * 3/2006 Chen et al. D14/444
D572,257 S * 7/2008 Chen et al. D14/444
D575,290 S * 8/2008 Kuang et al. D14/444

* cited by examiner

Primary Examiner—Freda S Nunn

(74) *Attorney, Agent, or Firm*—Zhigang Ma

(57) **CLAIM**

The ornamental design for a front bezel for computer enclosure, as shown and described.

DESCRIPTION

FIG. 1 is a perspective view of a front bezel for computer enclosure showing our design;

FIG. 2 is a front elevational view thereof;

FIG. 3 is a left-side, elevational view thereof;

FIG. 4 is a right-side, elevational view thereof;

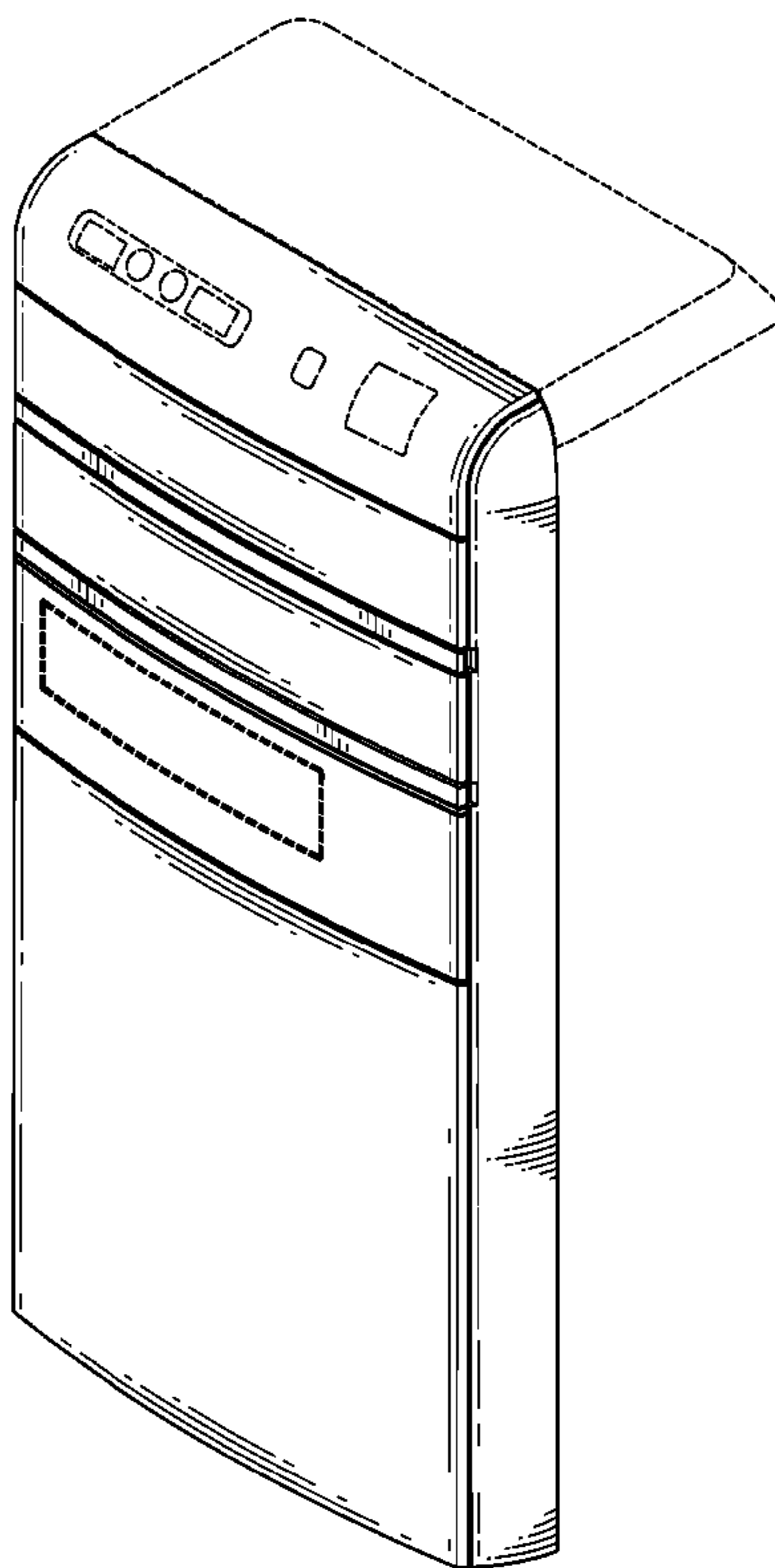
FIG. 5 is a top plan view thereof;

FIG. 6 is a bottom plan view thereof; and,

FIG. 7 is a perspective view of the front bezel being mounted to computer enclosure.

Broken lines shown in the drawings illustrate portions of the computer enclosure, and form no part of the claimed design.

1 Claim, 7 Drawing Sheets



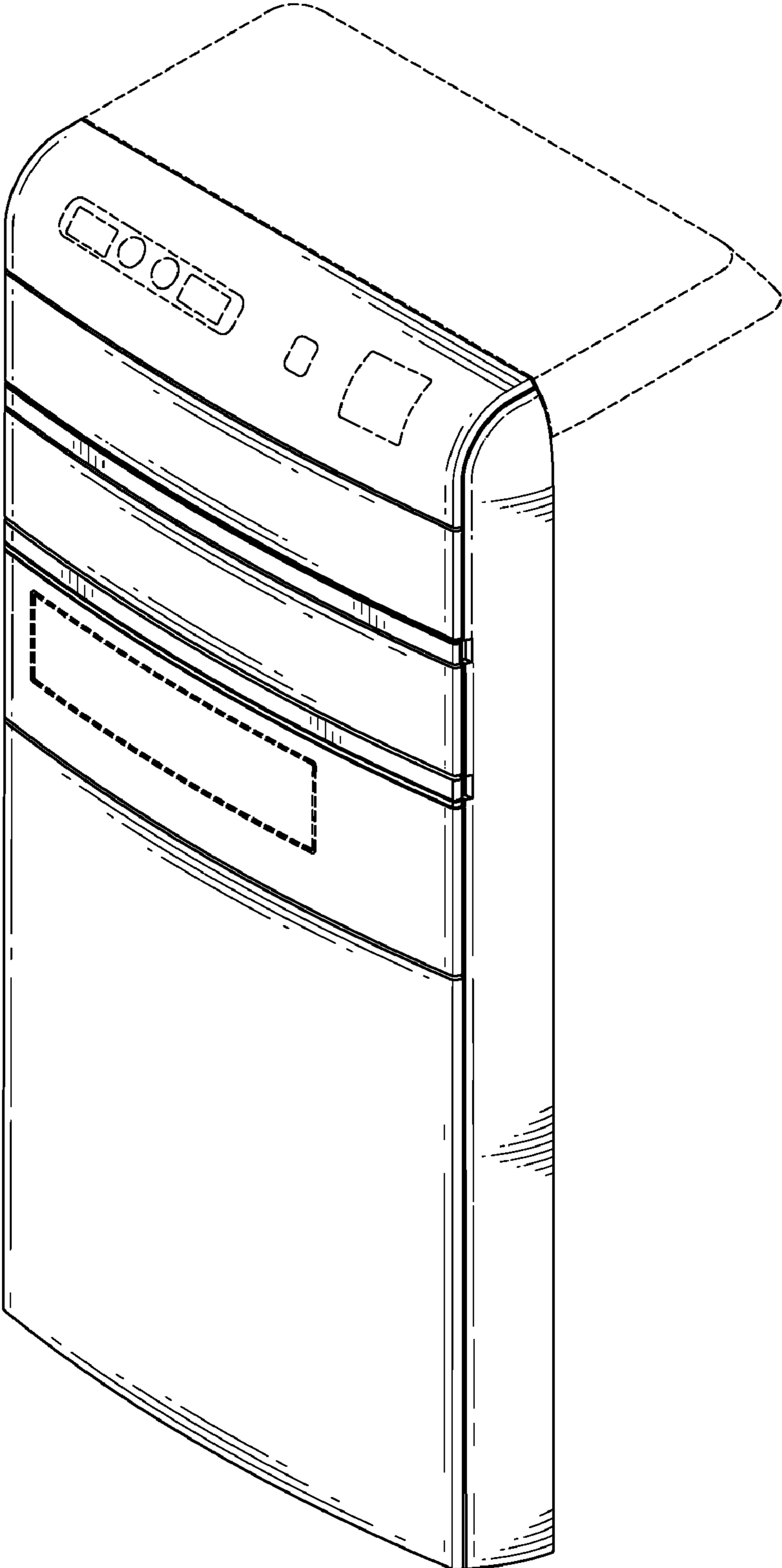


FIG. 1

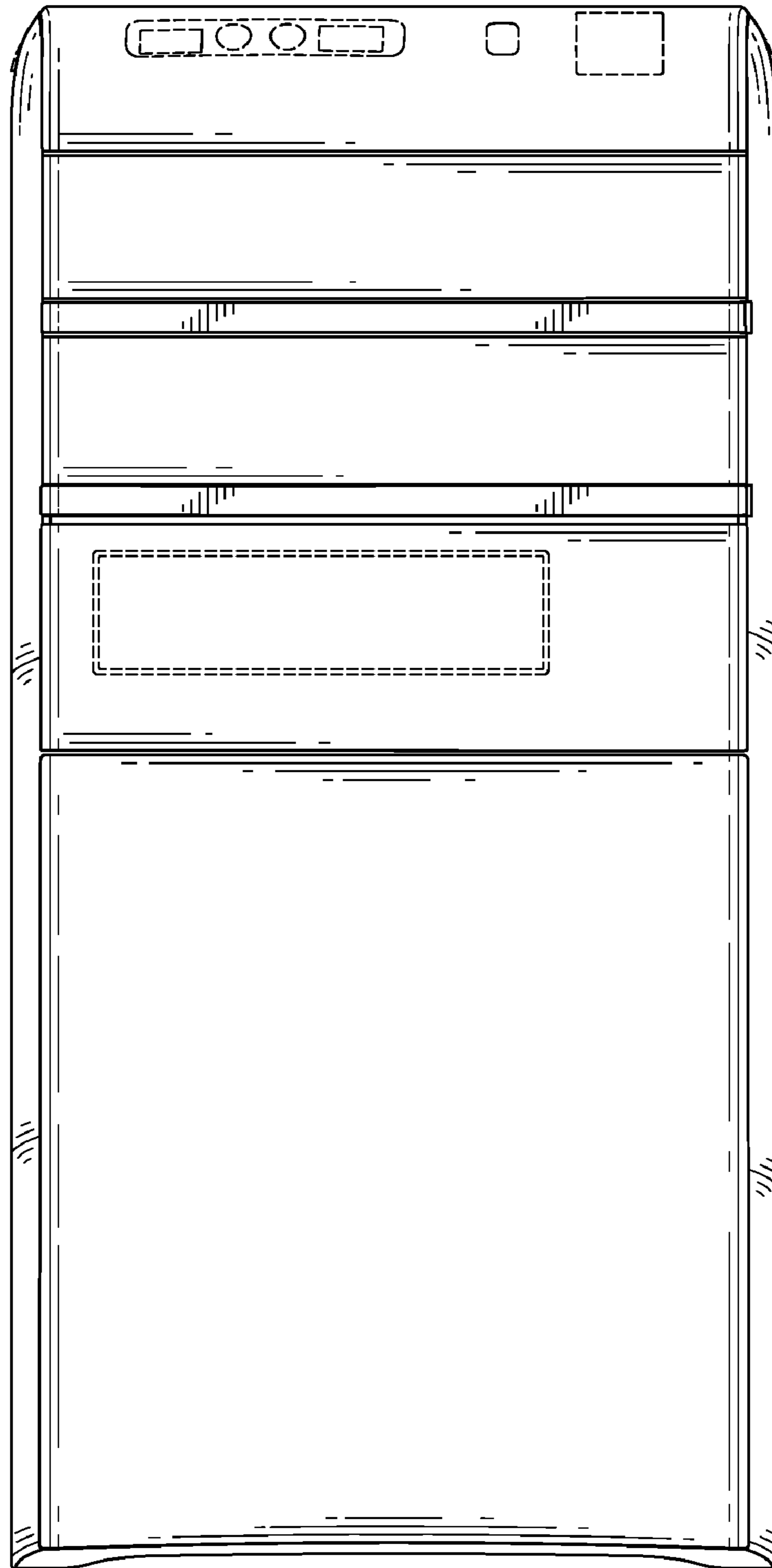


FIG. 2

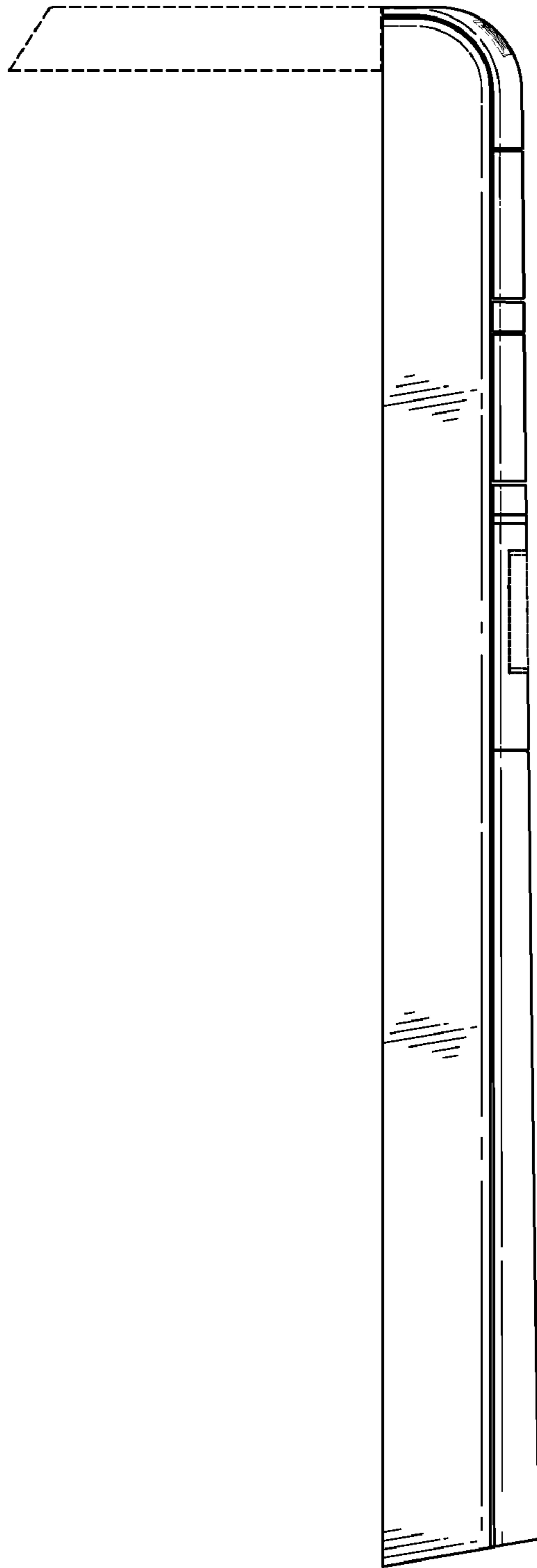


FIG. 3

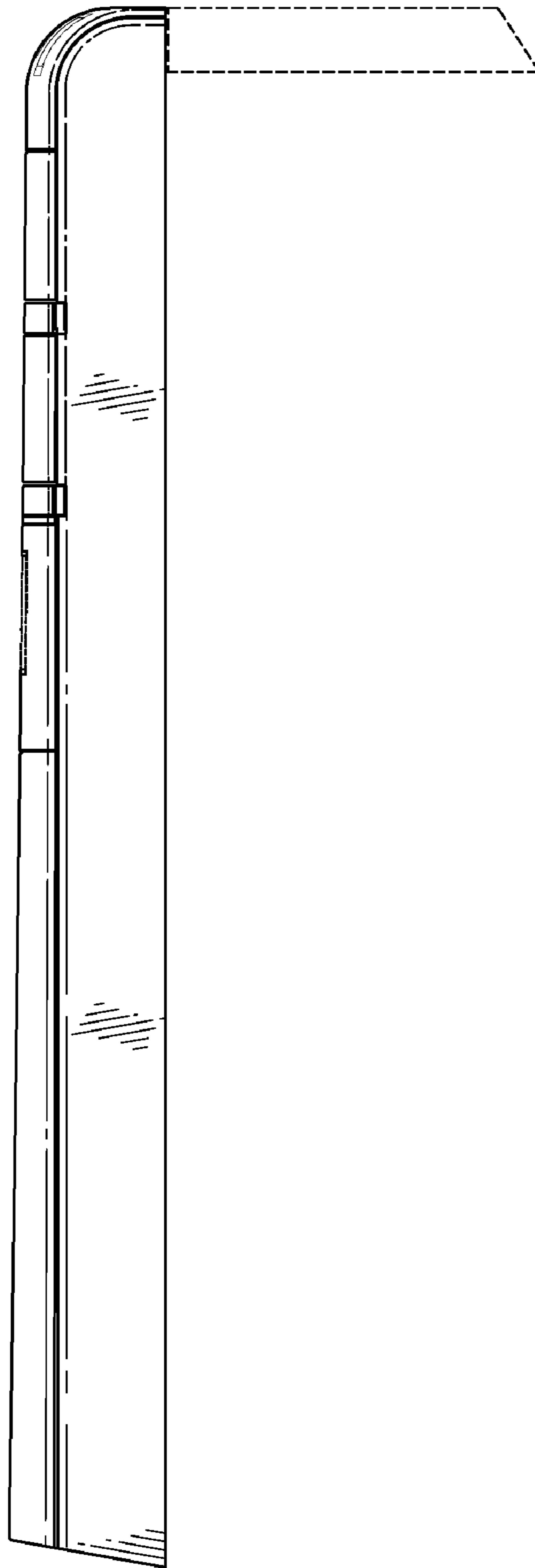


FIG. 4

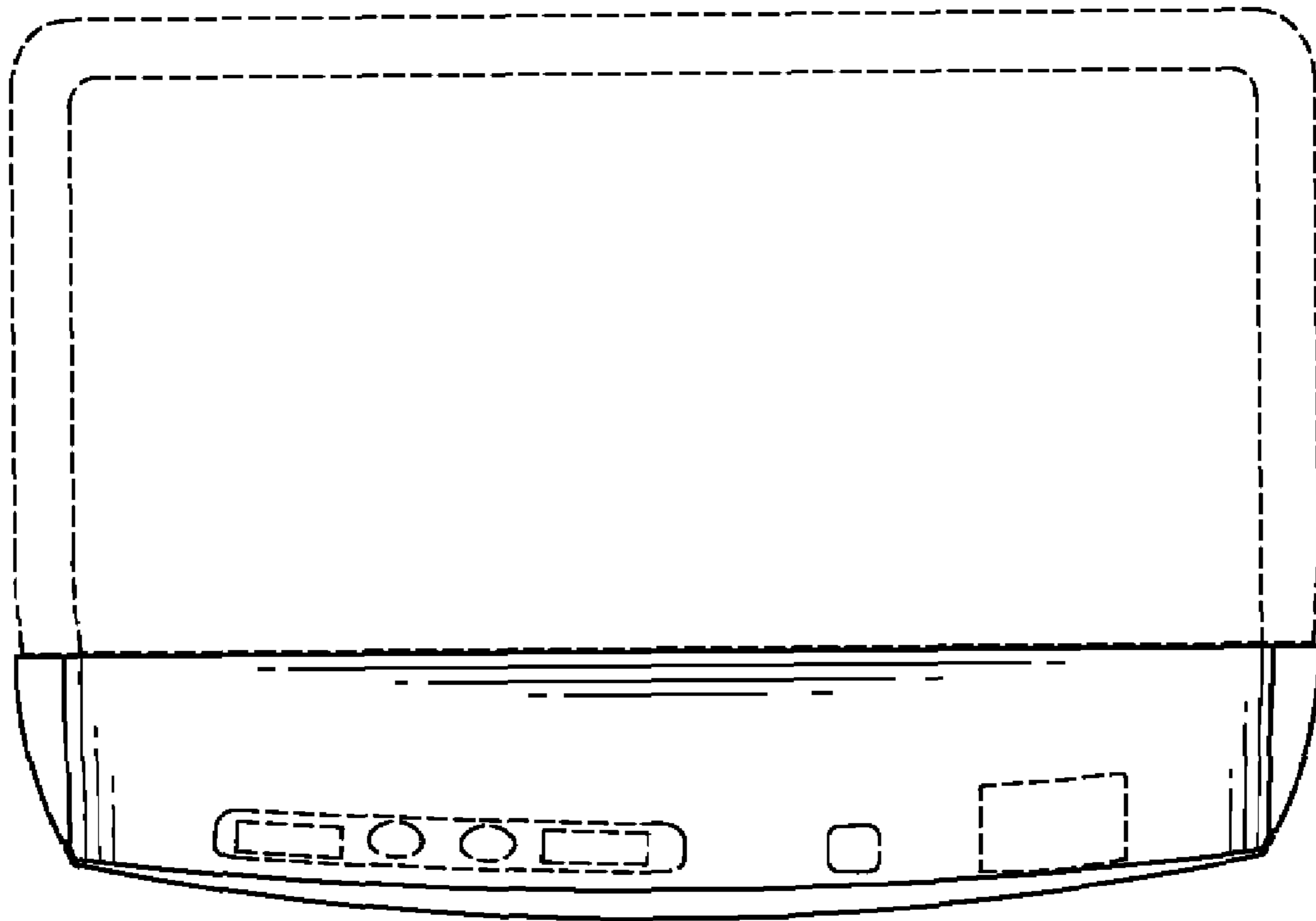


FIG. 5

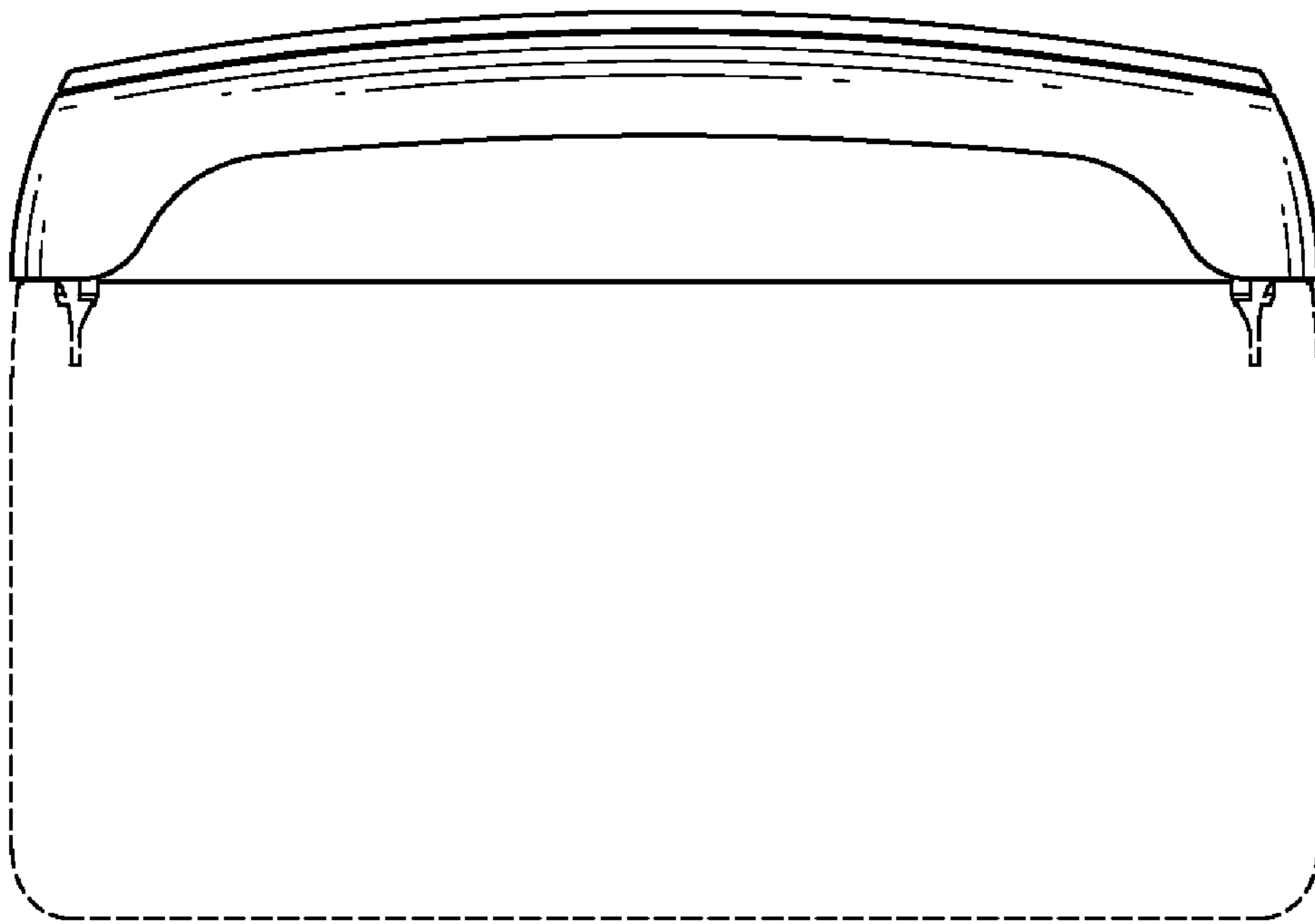


FIG. 6

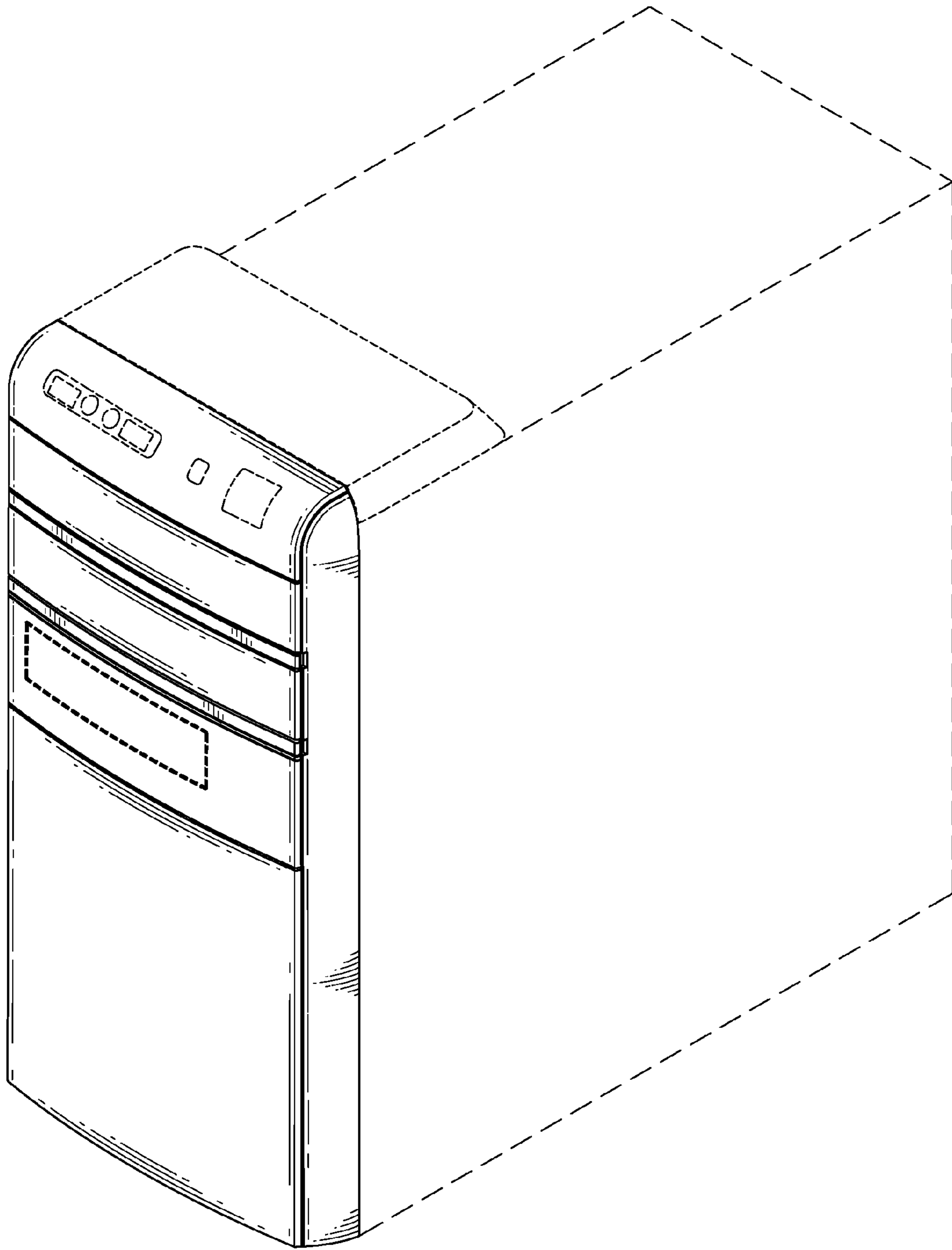


FIG. 7