



US00D597093S

(12) **United States Design Patent**  
**Neu et al.**

(10) **Patent No.:** **US D597,093 S**  
(45) **Date of Patent:** **\*\* Jul. 28, 2009**

(54) **RADIO FREQUENCY TRANSMITTER**

(75) Inventors: **Thorben Neu**, Los Angeles, CA (US);  
**Vincent Razo**, Granada Hills, CA (US)

(73) Assignee: **Belkin International, Inc.**, Compton,  
CA (US)

(\*\*) Term: **14 Years**

(21) Appl. No.: **29/303,093**

(22) Filed: **Jan. 31, 2008**

(51) **LOC (9) Cl.** ..... **14-02**

(52) **U.S. Cl.** ..... **D14/358**

(58) **Field of Classification Search** ..... D14/356,  
D14/358, 432, 433, 137, 138, 140, 155, 188,  
D14/217, 240, 299, 191; D13/110, 184;  
439/488, 490, 901; 379/1.03, 38, 39, 42,  
379/67.1, 88.17, 90.01, 93.01, 93.17, 142.07,  
379/219, 220.01, 221.14, 221.15, 387.01,  
379/397, 399.01, 419, 428.01, 457; 455/3.01,  
455/3.05, 3.06, 426.1, 500, 73, 74, 556.1,  
455/561, 575.1, 89, 91, 95, 130, 132, 344,  
455/347, 899, FOR. 254

See application file for complete search history.

(56) **References Cited**

**U.S. PATENT DOCUMENTS**

D344,954 S \* 3/1994 Scheid et al. .... D14/358  
D366,047 S \* 1/1996 Rak et al. .... D14/357

D433,642 S \* 11/2000 Bauman ..... D14/358  
D441,744 S \* 5/2001 Miyazaki ..... D14/358  
D452,496 S \* 12/2001 Murnaghan et al. .... D14/358  
D558,785 S \* 1/2008 Kofford et al. .... D14/358  
D580,917 S \* 11/2008 Hu et al. .... D14/358  
D586,809 S \* 2/2009 Jones et al. .... D14/358  
D587,708 S \* 3/2009 Yoshida et al. .... D14/358

\* cited by examiner

*Primary Examiner*—Brian N Vinson

(74) *Attorney, Agent, or Firm*—Bryan Cave LLP

(57) **CLAIM**

We claim the ornamental design for a radio frequency transmitter, as shown.

**DESCRIPTION**

FIG. 1 is a front, top, right isometric view of the radio frequency transmitter;

FIG. 2 is a left view thereof;

FIG. 3 is a right view thereof;

FIG. 4 is a bottom view thereof;

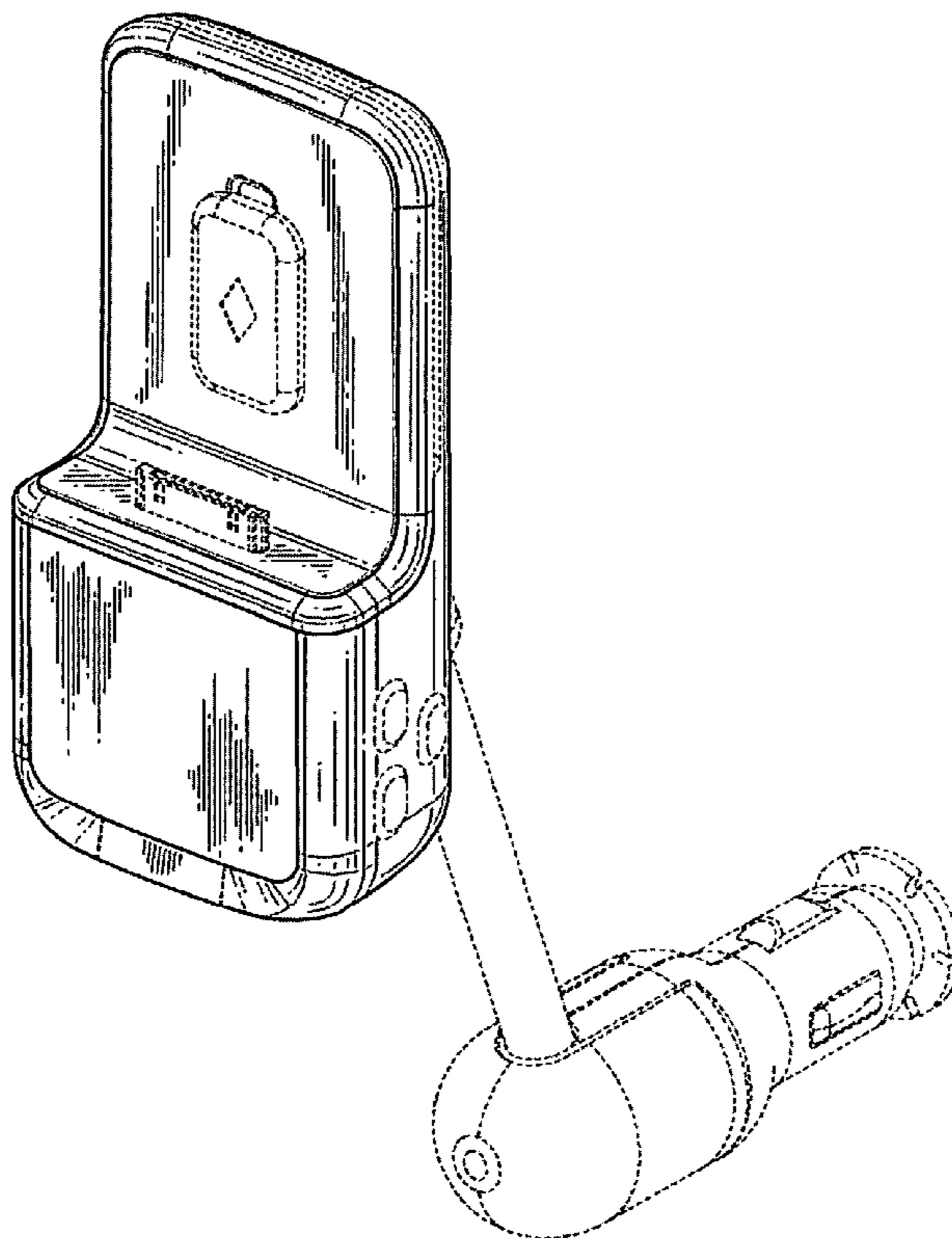
FIG. 5 is a top view thereof;

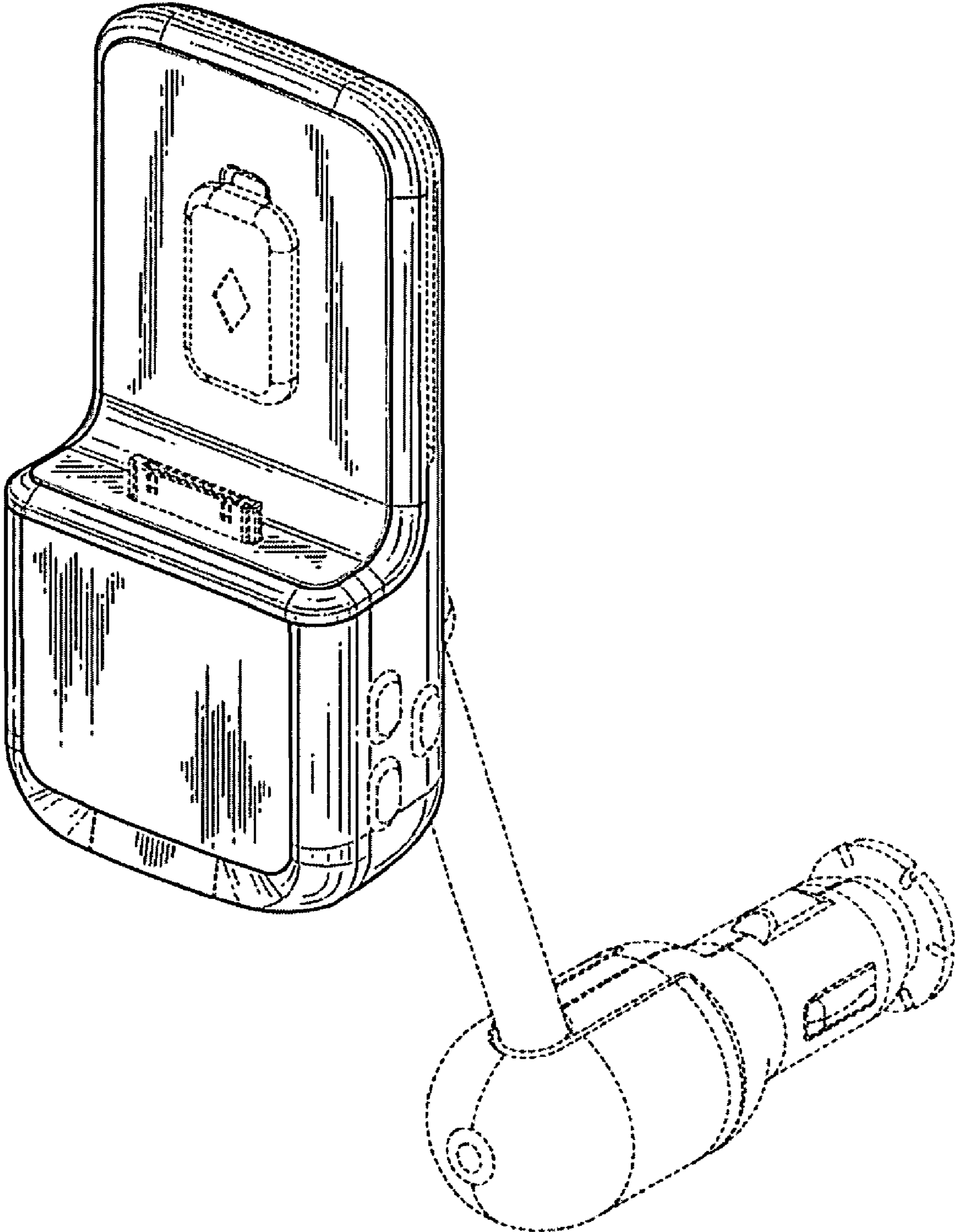
FIG. 6 is a back view thereof; and,

FIG. 7 is a front view thereof.

The broken lines in the drawings are for illustrative purposes only and form no part of the claimed design.

**1 Claim, 4 Drawing Sheets**





**FIG. 1**

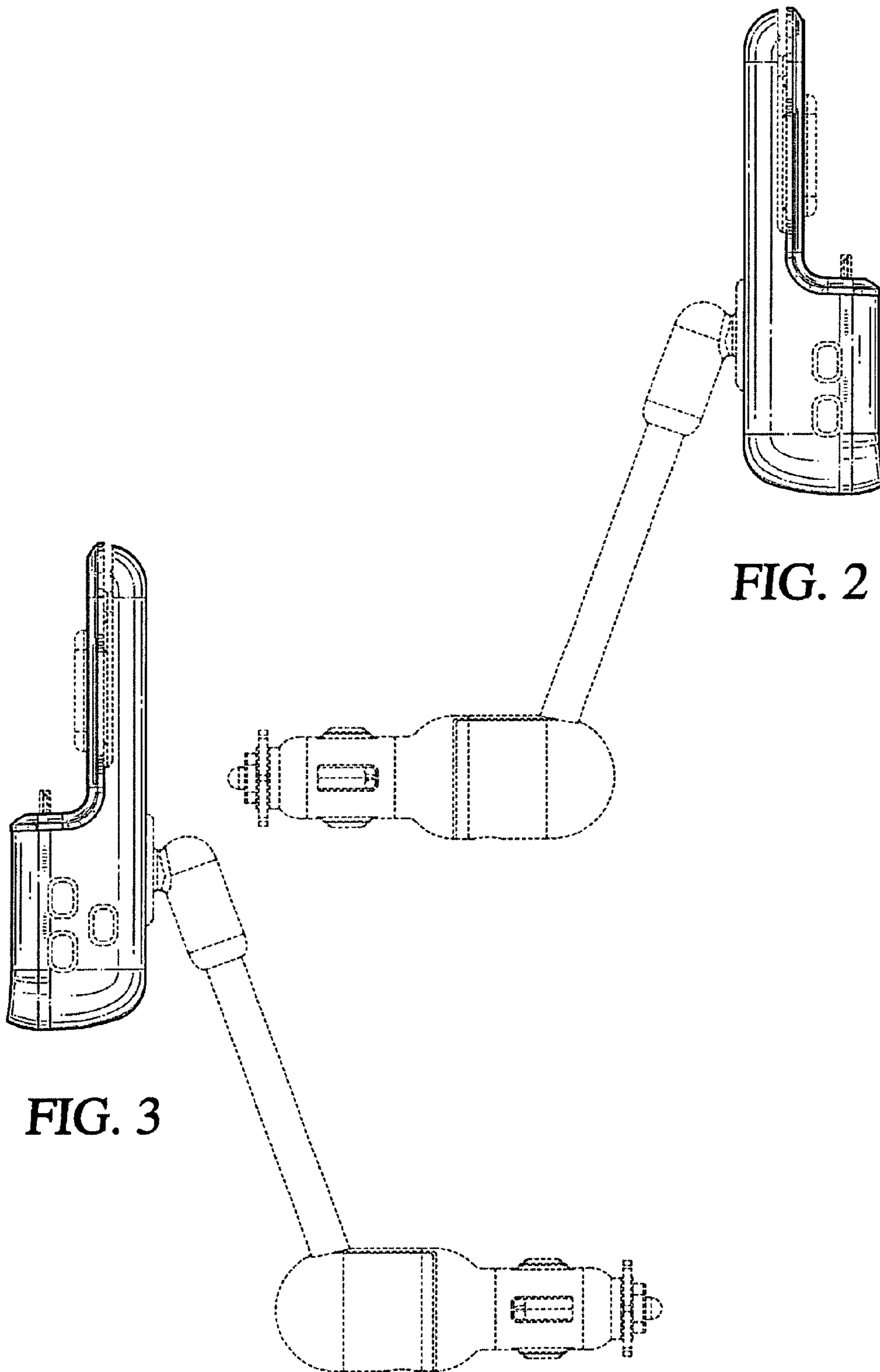


FIG. 2

FIG. 3

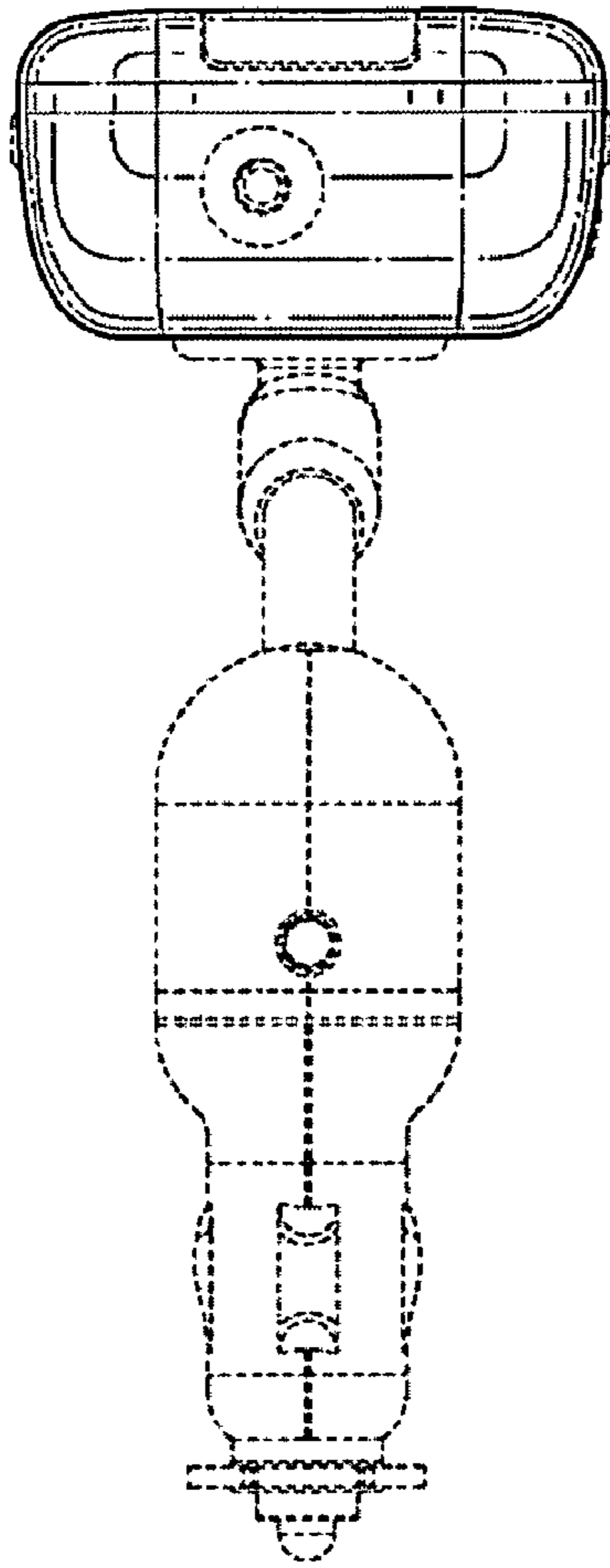
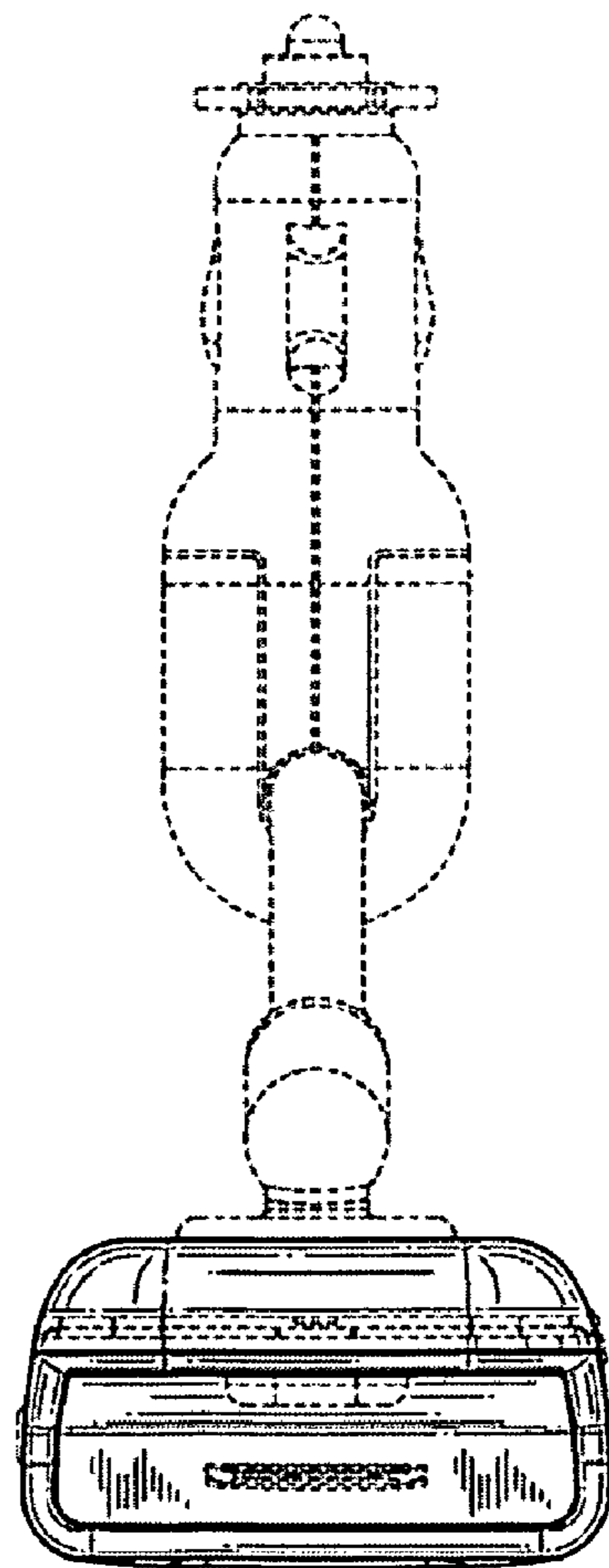


FIG. 4

FIG. 5



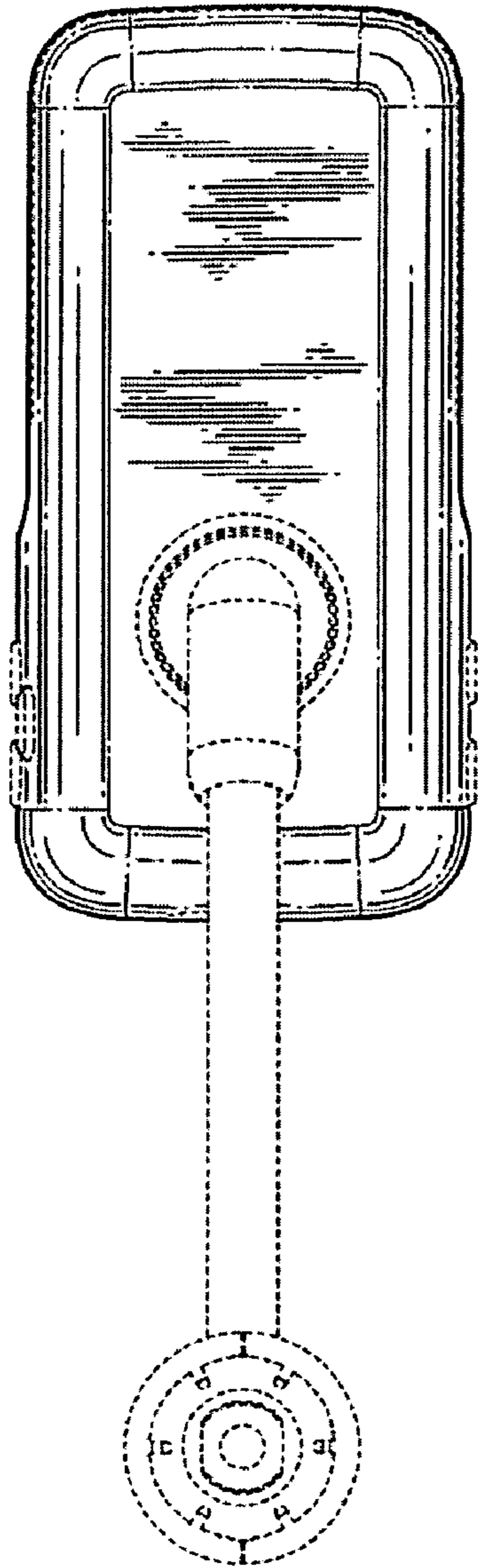


FIG. 6

FIG. 7

