



US00D597088S

(12) **United States Design Patent**
He

(10) **Patent No.:** **US D597,088 S**
(45) **Date of Patent:** **** Jul. 28, 2009**

(54) **KEYPAD FOR A HANDSET**

(75) Inventor: **Wei-Jones He**, Beijing (CN)

(73) Assignee: **Nokia Corporation**, Espoo (FI)

(**) Term: **14 Years**

(21) Appl. No.: **29/305,992**

(22) Filed: **Mar. 31, 2008**

(51) **LOC (9) Cl.** **14-03**

(52) **U.S. Cl.** **D14/247**

(58) **Field of Classification Search** D14/247–248,
D14/138 R, 138 AB, 138 AC, 138 C, 144,
D14/244, 432, 439, 455, 456, 138 AA, 138 AD,
D14/138 G, 191, 203.1–203.8, 496, 137,
D14/147, 218, 341–347; D13/168; D18/7;
D10/65, 78, 104; 455/566, 575.1, 575.3;
345/169

See application file for complete search history.

(56) **References Cited**

U.S. PATENT DOCUMENTS

D274,439 S * 6/1984 Sakata et al. D18/7
5,918,186 A * 6/1999 Liu 455/572
D441,745 S * 5/2001 Yabusaki D14/247
D461,801 S * 8/2002 Nuovo D14/247
D462,344 S * 9/2002 Nuovo D14/247
D493,156 S * 7/2004 Hamann et al. D14/138 AD
D513,740 S * 1/2006 Park et al. D14/138 AA
D518,811 S * 4/2006 Shin et al. D14/138 AB
D520,979 S * 5/2006 Kim et al. D14/138 AB
D529,486 S * 10/2006 Kangasmaa et al. D14/247
D530,299 S * 10/2006 Lee D14/138 AD
D530,318 S * 10/2006 Kangasmaa D14/247
D539,259 S * 3/2007 Wang et al. D14/138 AA
D541,251 S * 4/2007 Lee et al. D14/138 AA
D546,309 S * 7/2007 Lee D14/138 AB
7,265,745 B1 * 9/2007 Kling 345/169
D552,043 S * 10/2007 Thursfield D13/168
D554,101 S * 10/2007 Hu D14/138 AA
D557,238 S * 12/2007 Kim D14/138 AD
D580,900 S * 11/2008 Wong et al. D14/138 R
D586,773 S * 2/2009 Kim et al. D14/138 AB

D588,564 S * 3/2009 Pegon et al. D14/138 AA
2002/0130845 A1 * 9/2002 Abe 345/169
2003/0054864 A1 * 3/2003 Mergler 455/566
2005/0054397 A1 * 3/2005 Kim et al. 455/575.4
2008/0218484 A1 * 9/2008 Nishiwaki 345/169

FOREIGN PATENT DOCUMENTS

WO DM/069203 * 5/2007
WO DM/069204 * 5/2007
WO DM/069913 * 3/2008

OTHER PUBLICATIONS

Nokia 7900 Prism, announced Aug. 2007, [online], [retrieved on Oct. 3, 2008]. Retrieved from Internet ,<URL: http://www.gsmarena.com>.*

Nokia 7500 Prism, announced Jul. 2007, [online], [retrieved on Oct. 3, 2008]. Retrieved from Internet ,<URL: http://www.gsmarena.com>.*

(Continued)

Primary Examiner—Jeffrey D Asch

Assistant Examiner—Bridget L Eland

(74) *Attorney, Agent, or Firm*—Banner & Witcoff, Ltd.

(57) **CLAIM**

The ornamental design for a keypad for a handset, as shown and described.

DESCRIPTION

FIG. 1 is a front perspective view of a keypad of a handset showing my new design;

FIG. 2 is a front view thereof;

FIG. 3 is a rear view thereof;

FIG. 4 is a right side view thereof;

FIG. 5 is a left side view thereof;

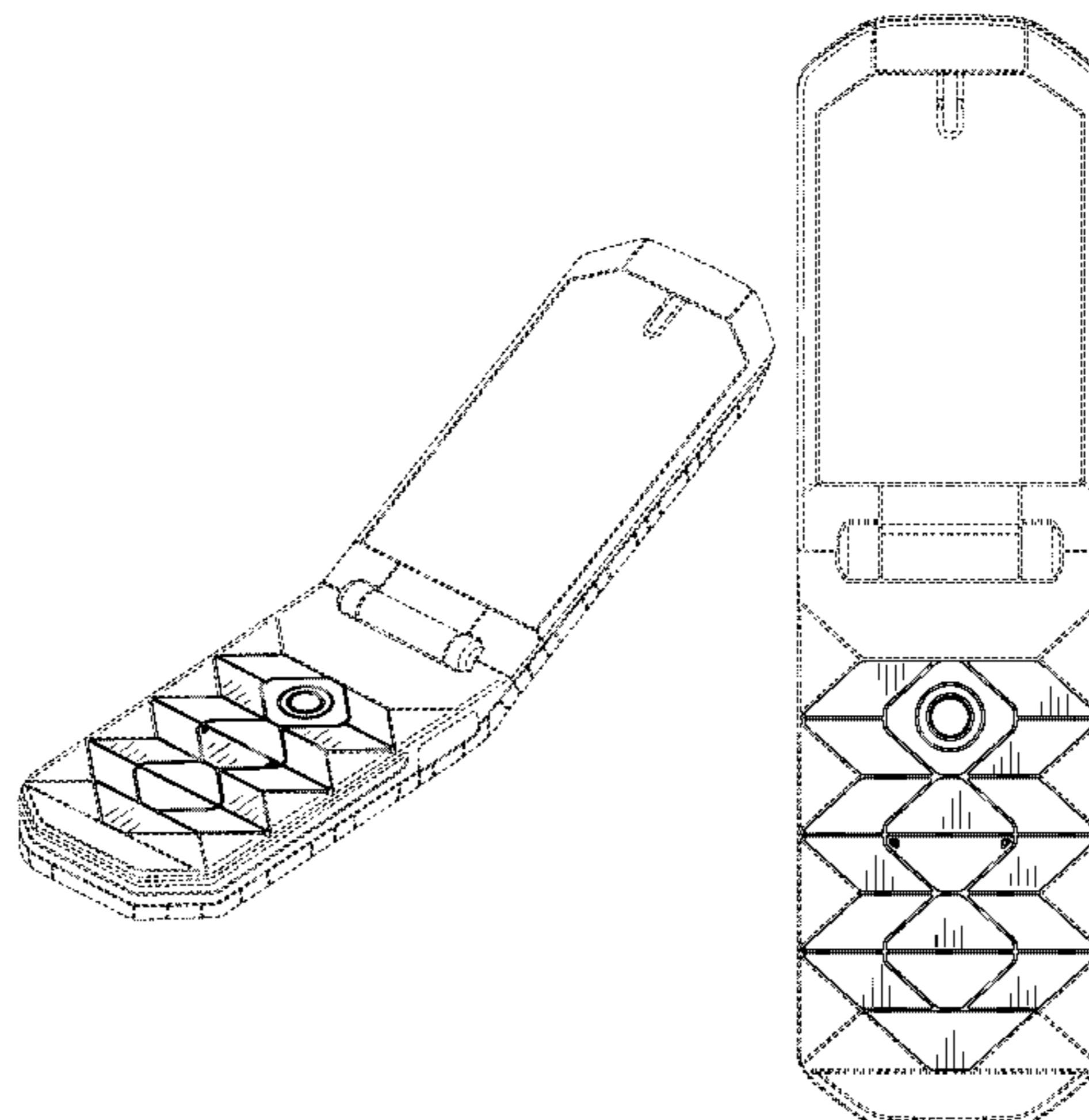
FIG. 6 is a top view thereof;

FIG. 7 is a bottom view thereof; and,

FIG. 8 is a rear perspective view thereof.

The broken lines showing the remainder of the handset are directed to environment and are for illustrative purposes only; the broken lines form no part of the claimed design.

1 Claim, 5 Drawing Sheets



OTHER PUBLICATIONS

Nokia 7070 Prism, announced Apr. 2008, [online], [retrieved on Oct. 3, 2008]. Retrieved from Internet ,<URL: <http://www.gsmarena.com>>.*

Alcatel OT-C507, announced Feb. 2007, [online], [retrieved on Oct. 17, 2008]. Retrieved from Internet ,<URL: <http://www.gsmarena.com>>.*

Philips 350, announced 3rd quarter 2003, [online], [retrieved on Oct. 17, 2008]. Retrieved from Internet ,<URL: <http://www.gsmarena.com>>.*

Nokia Model # 7900, Nokia Corporation, 1 color sheet of photographs, disclosed on or about Aug. 2007.

* cited by examiner

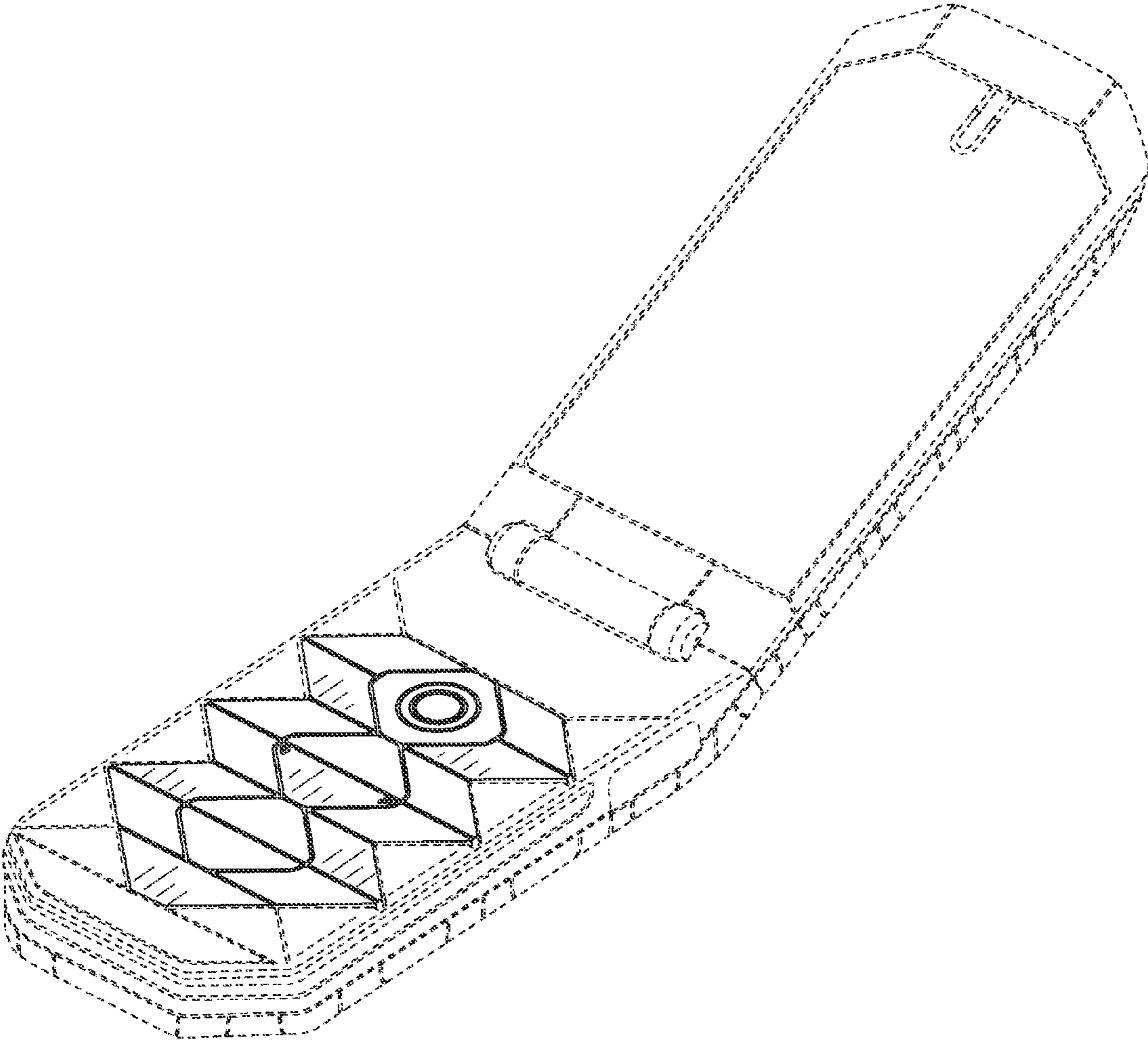


FIG. 1

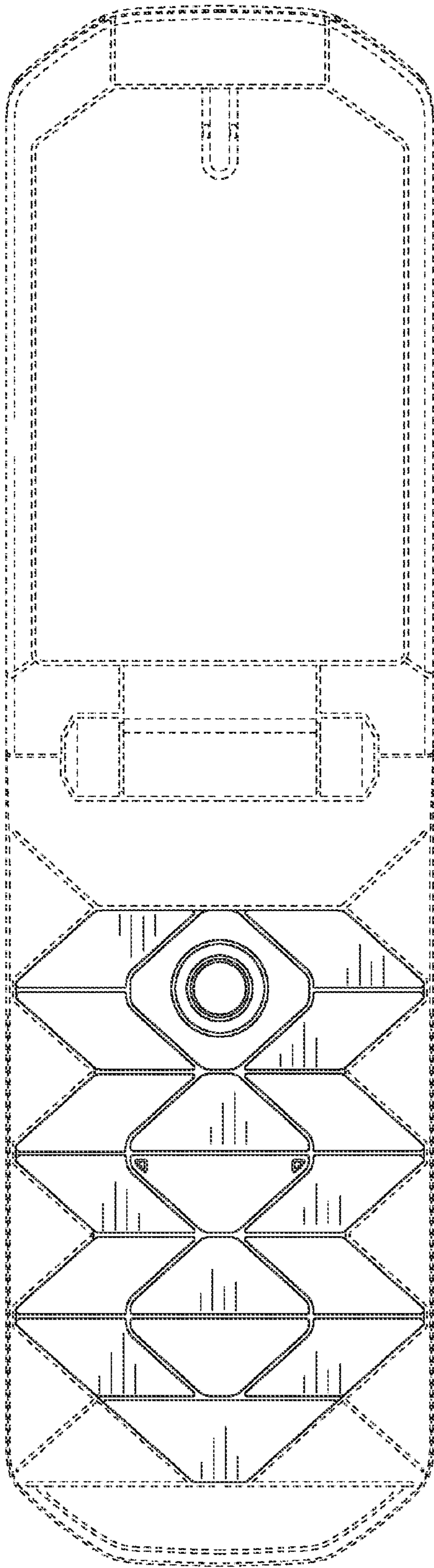


FIG. 2

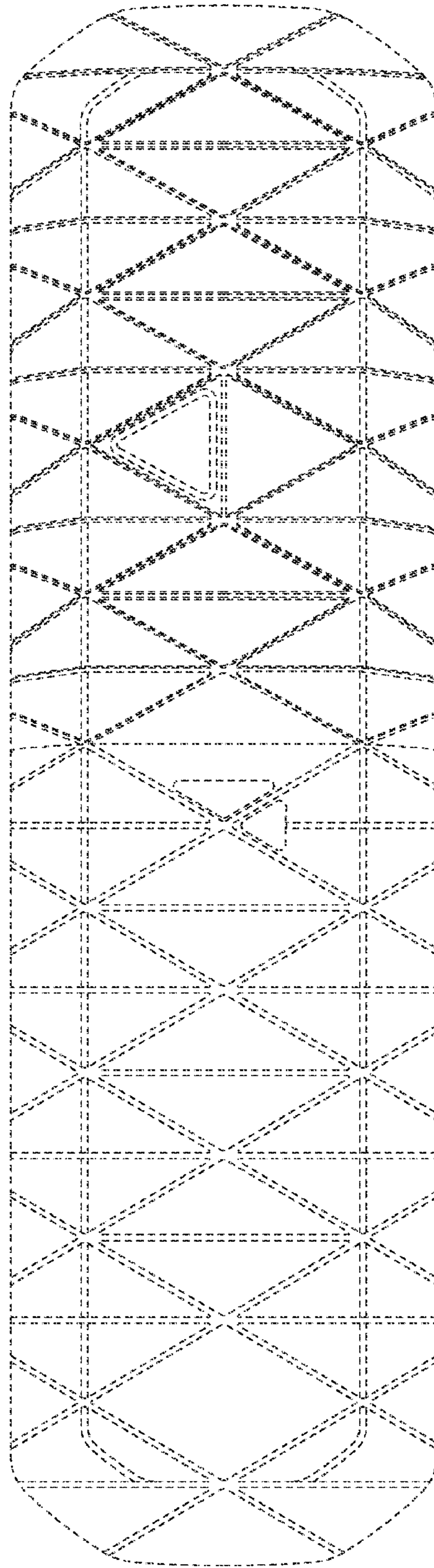


FIG. 3

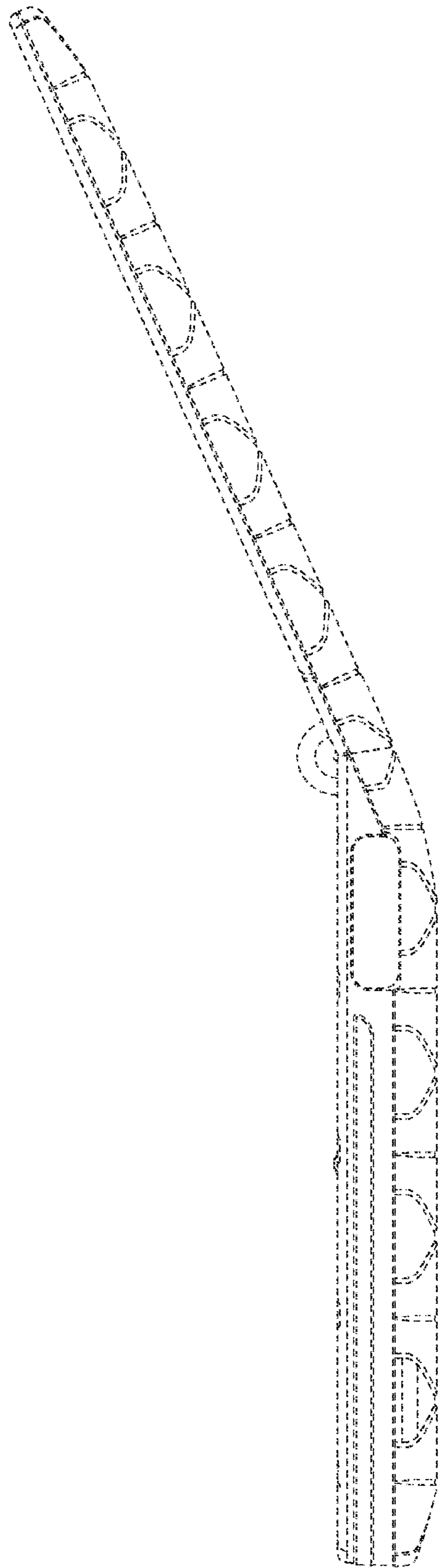


FIG. 4

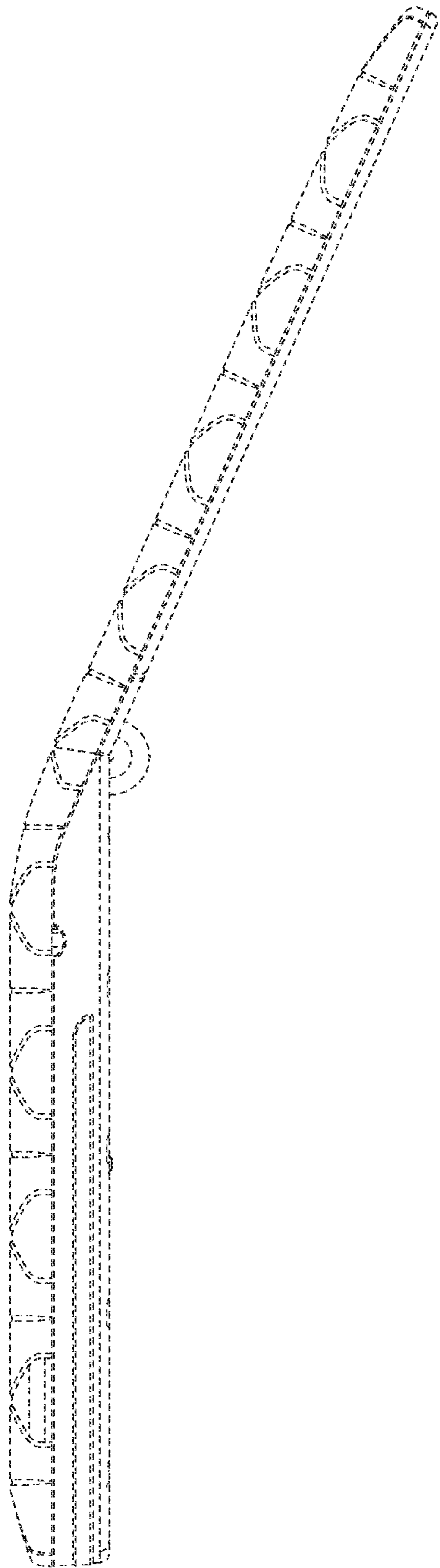


FIG. 5

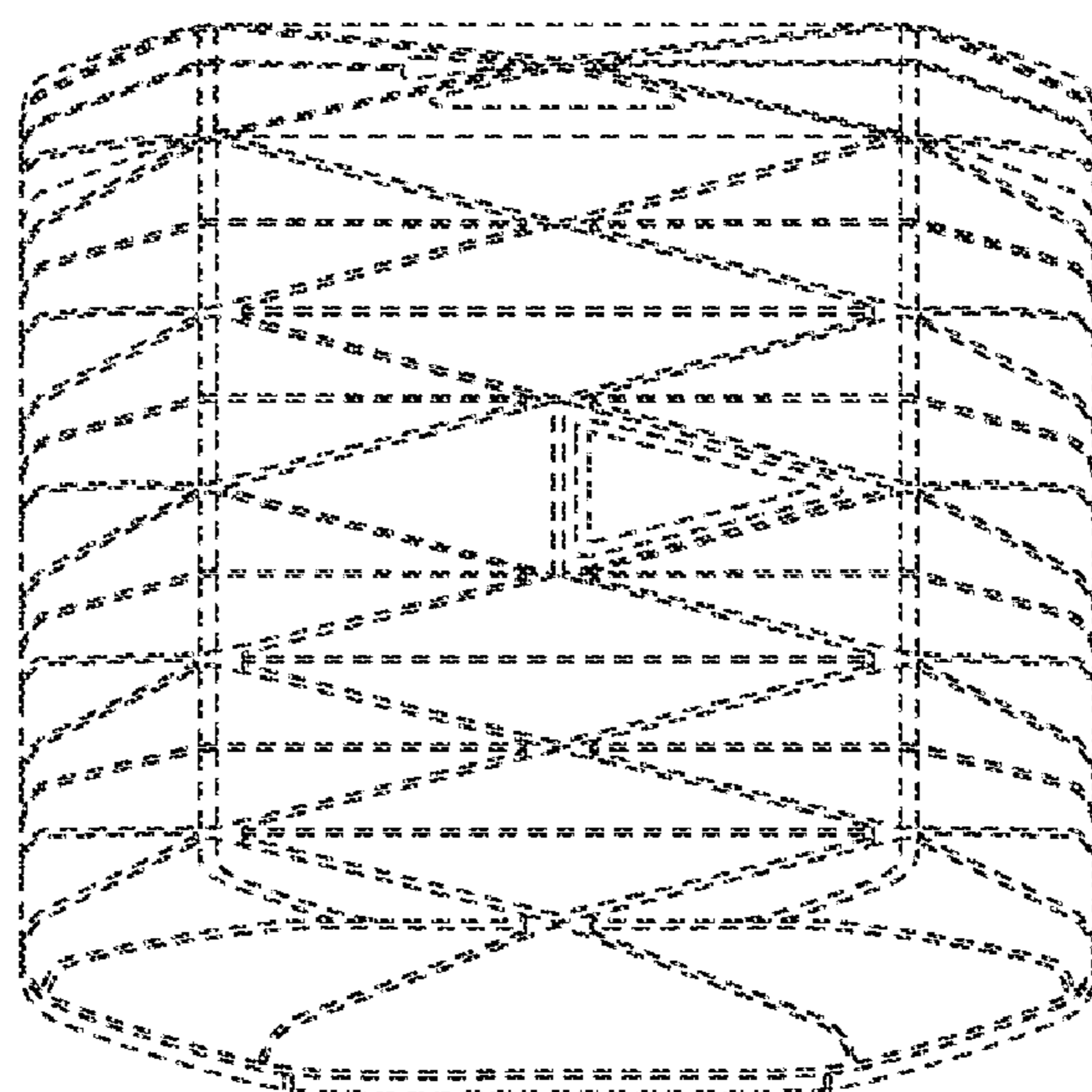


FIG. 6

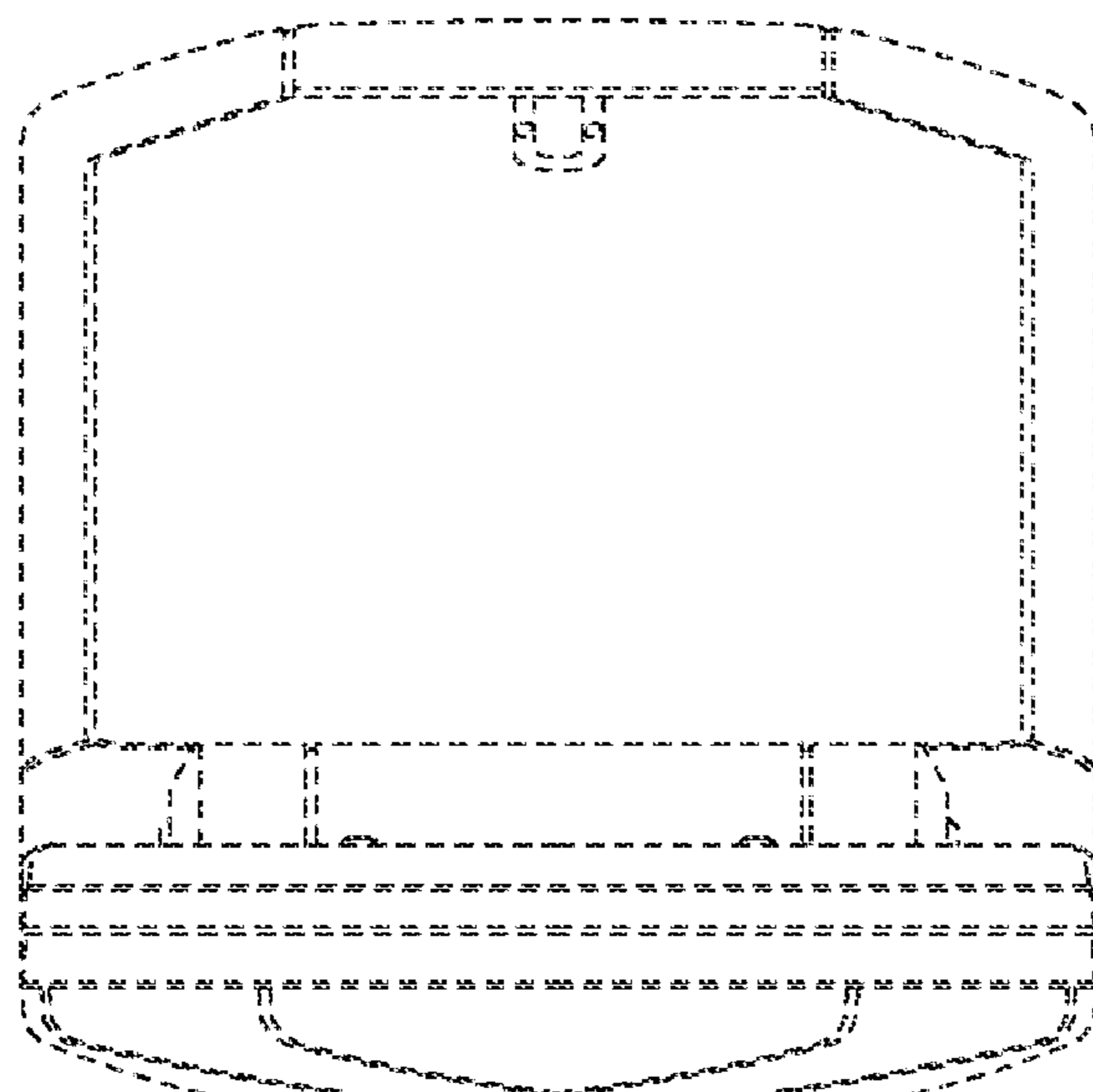


FIG. 7

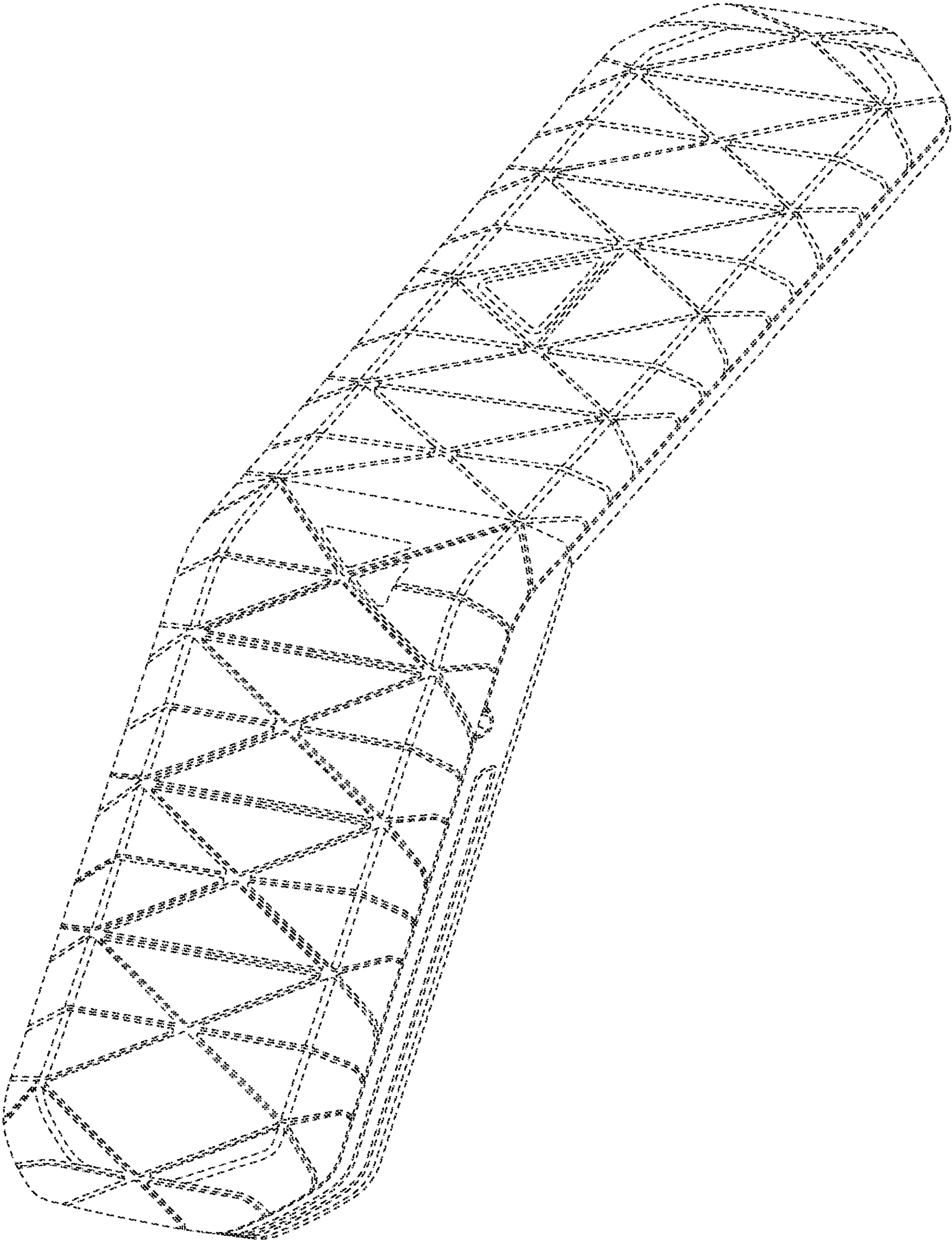


FIG. 8