



US00D597087S

(12) **United States Design Patent**
Herbst et al.

(10) **Patent No.:** **US D597,087 S**
(45) **Date of Patent:** **** Jul. 28, 2009**

(54) **ROUTER**

(75) Inventors: **Scot Herbst**, San Jose, CA (US); **Ken Wood**, Portola Valley, CA (US); **George Youzhi Yi**, Fremont, CA (US); **Torence Lu**, Fremont, CA (US); **Tracy Ann Tilford Winn**, Mountain View, CA (US); **Sahadevan Harikrishnan**, Fremont, CA (US); **Harbans Kaur**, Milpitas, CA (US)

(73) Assignee: **Cisco Technology, Inc.**, San Jose, CA (US)

(**) Term: **14 Years**

(21) Appl. No.: **29/318,748**

(22) Filed: **May 27, 2008**

(51) **LOC (9) Cl.** **14-02**

(52) **U.S. Cl.** **D14/240**

(58) **Field of Classification Search** D14/356,
D14/358, 233, 240, 242, 300, 348, 388, 433,
D14/155; D13/184, 137.2, 107, 108, 144;
360/69; 379/220.1, 220.14, 25, 93.09, 93.15,
379/156, 900, 338, 329; 381/124; 607/36;
307/10.1; 439/668

See application file for complete search history.

(56) **References Cited**

U.S. PATENT DOCUMENTS

D275,752 S * 10/1984 Mahan D14/240
D289,648 S * 5/1987 Felix et al. D14/242

D311,389 S * 10/1990 Festa et al. D14/301
D464,339 S * 10/2002 Tomino et al. D14/240
D471,543 S * 3/2003 Yang et al. D14/240
D514,562 S 2/2006 Lu et al.
D529,903 S * 10/2006 McRae et al. D14/240
D536,333 S * 2/2007 McRae et al. D14/240
D562,814 S * 2/2008 Liu et al. D14/240
D580,422 S * 11/2008 Lee D14/240
D585,439 S * 1/2009 Ching et al. D14/300

* cited by examiner

Primary Examiner—Charles A Rademaker

Assistant Examiner—Charles D Hanson

(74) *Attorney, Agent, or Firm*—Haynes and Boone, LLP.

(57) **CLAIM**

The ornamental design for a router, as shown and described.

DESCRIPTION

FIG. 1 is a top view of a router, showing our new design;

FIG. 2 is a front view thereof;

FIG. 3 is a back view thereof;

FIG. 4 is a side view thereof;

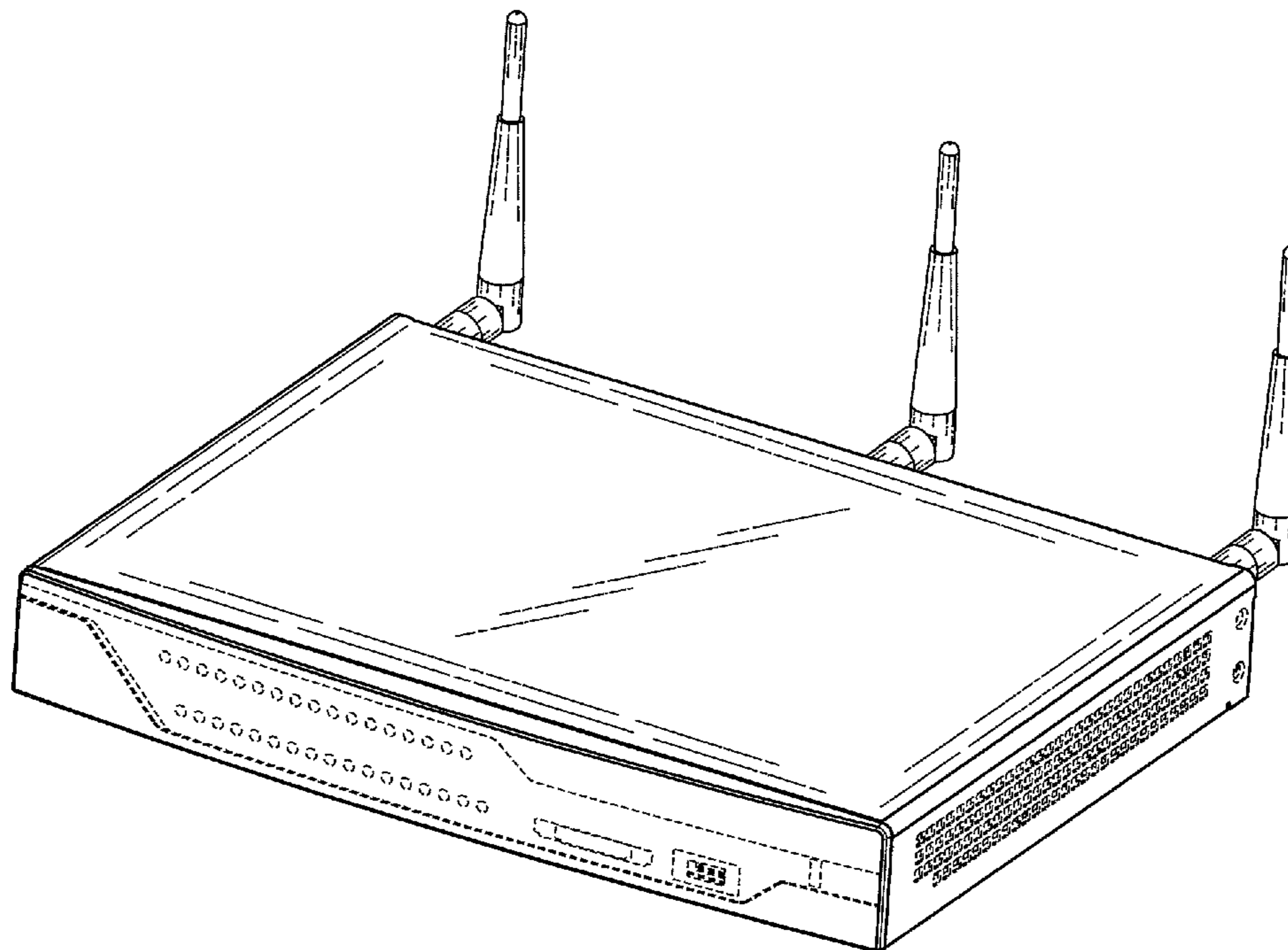
FIG. 5 is another side view thereof;

FIG. 6 is a top front perspective view thereof; and,

FIG. 7 is a top back perspective view thereof.

The broken lines shown in the drawings are for illustrative purposed only and form no part of the claimed design.

1 Claim, 4 Drawing Sheets



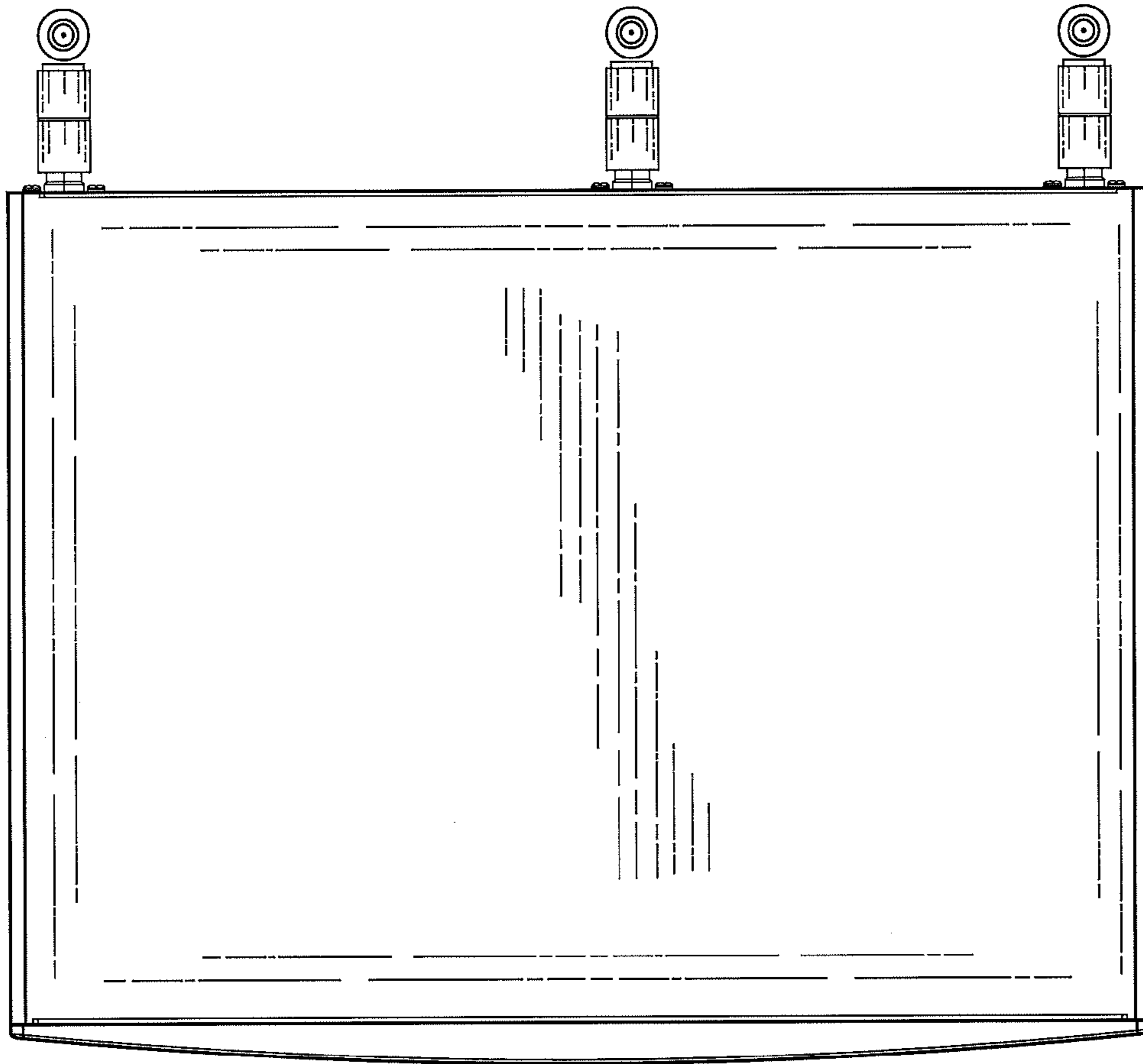


FIG. 1

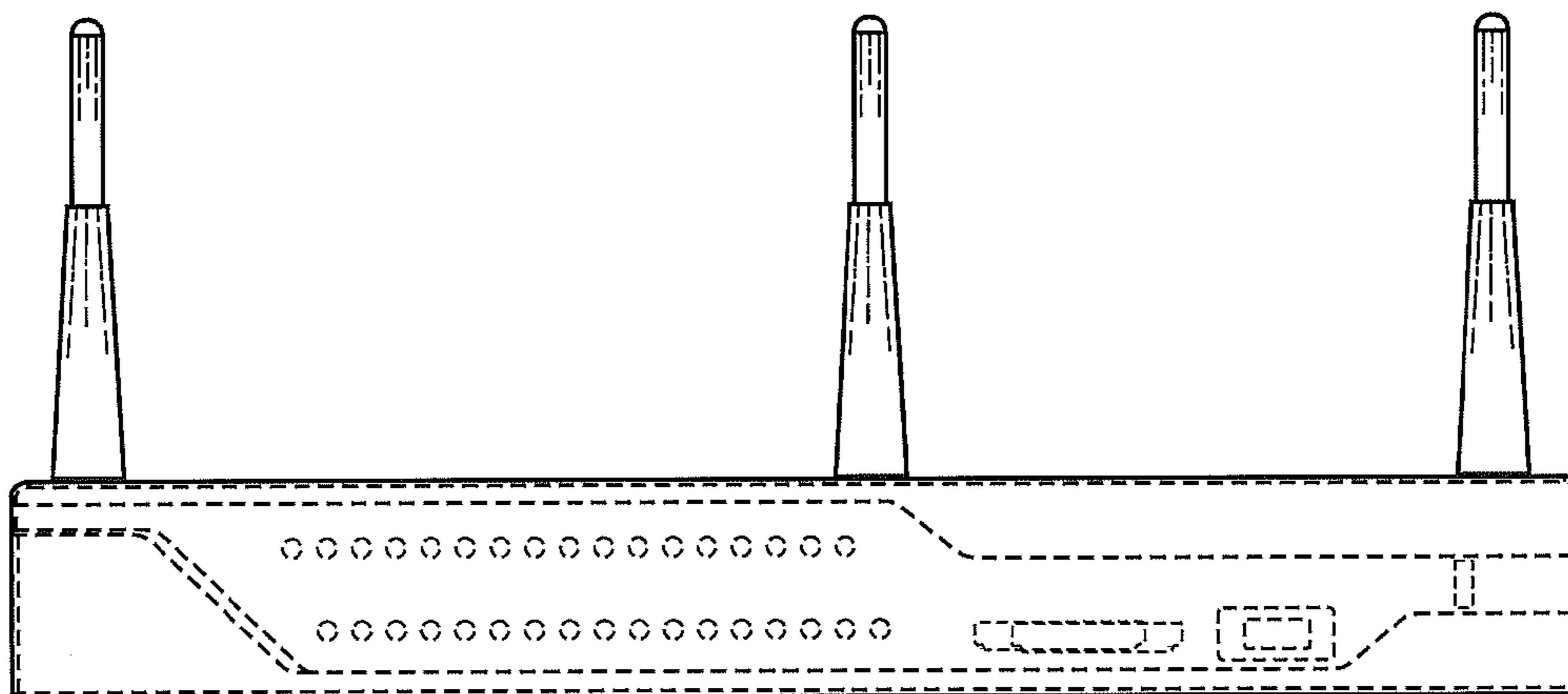


FIG. 2

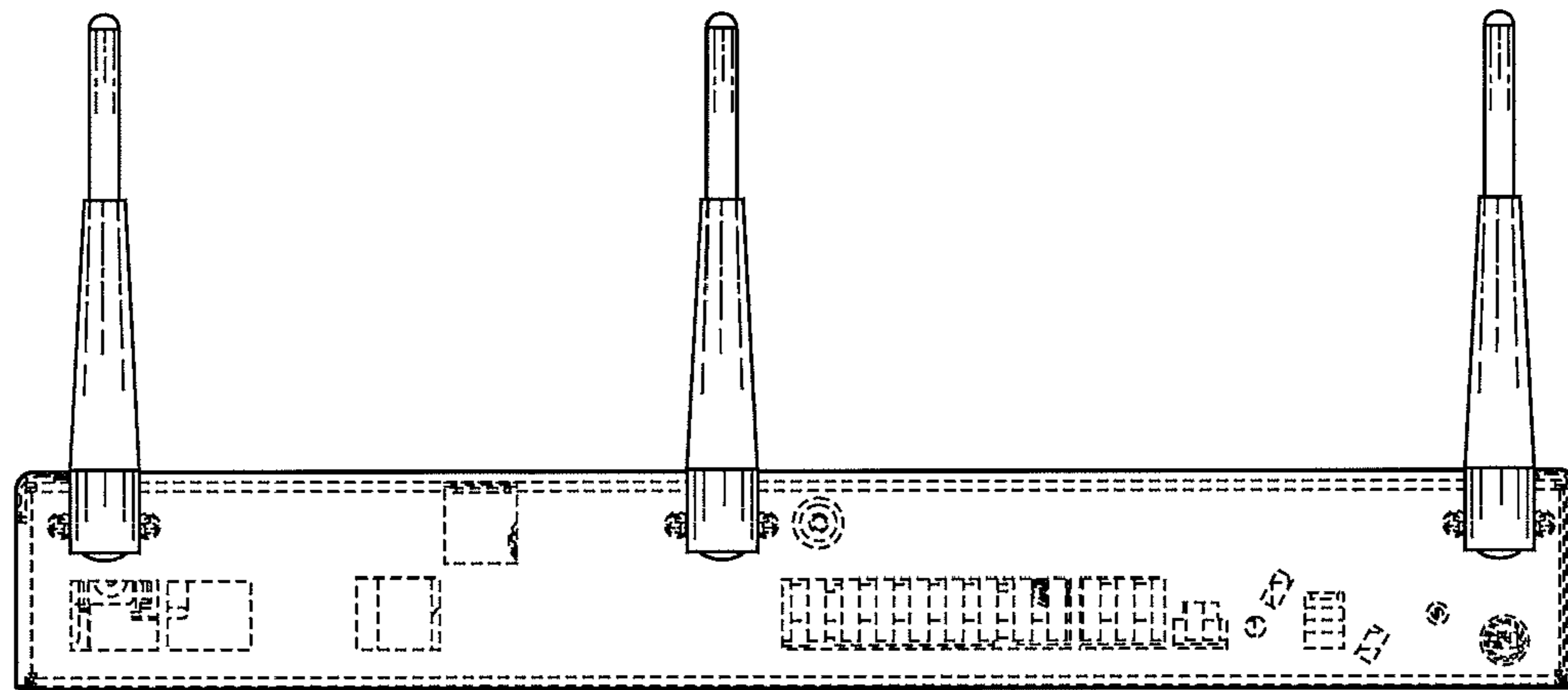


FIG. 3

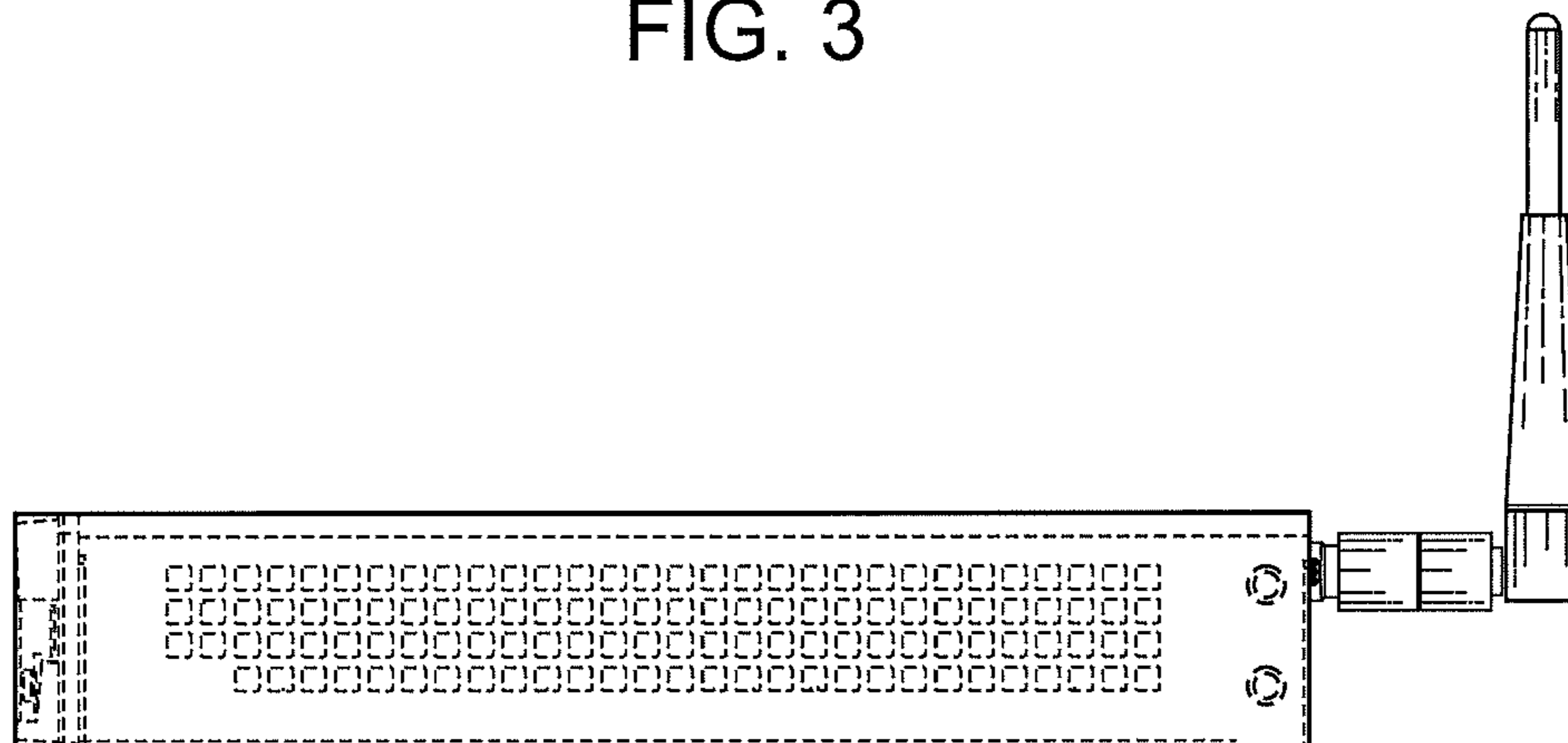


FIG. 4

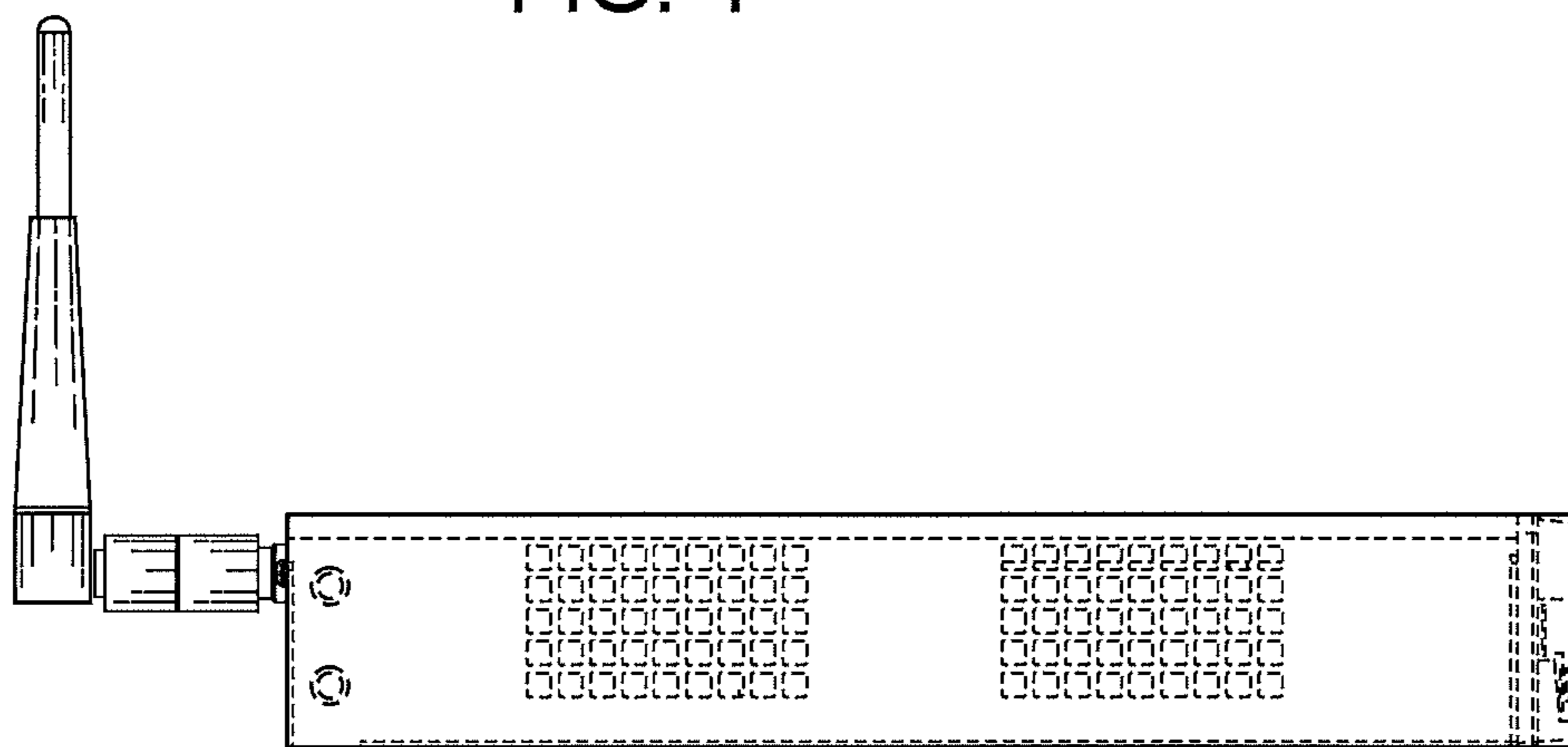


FIG. 5

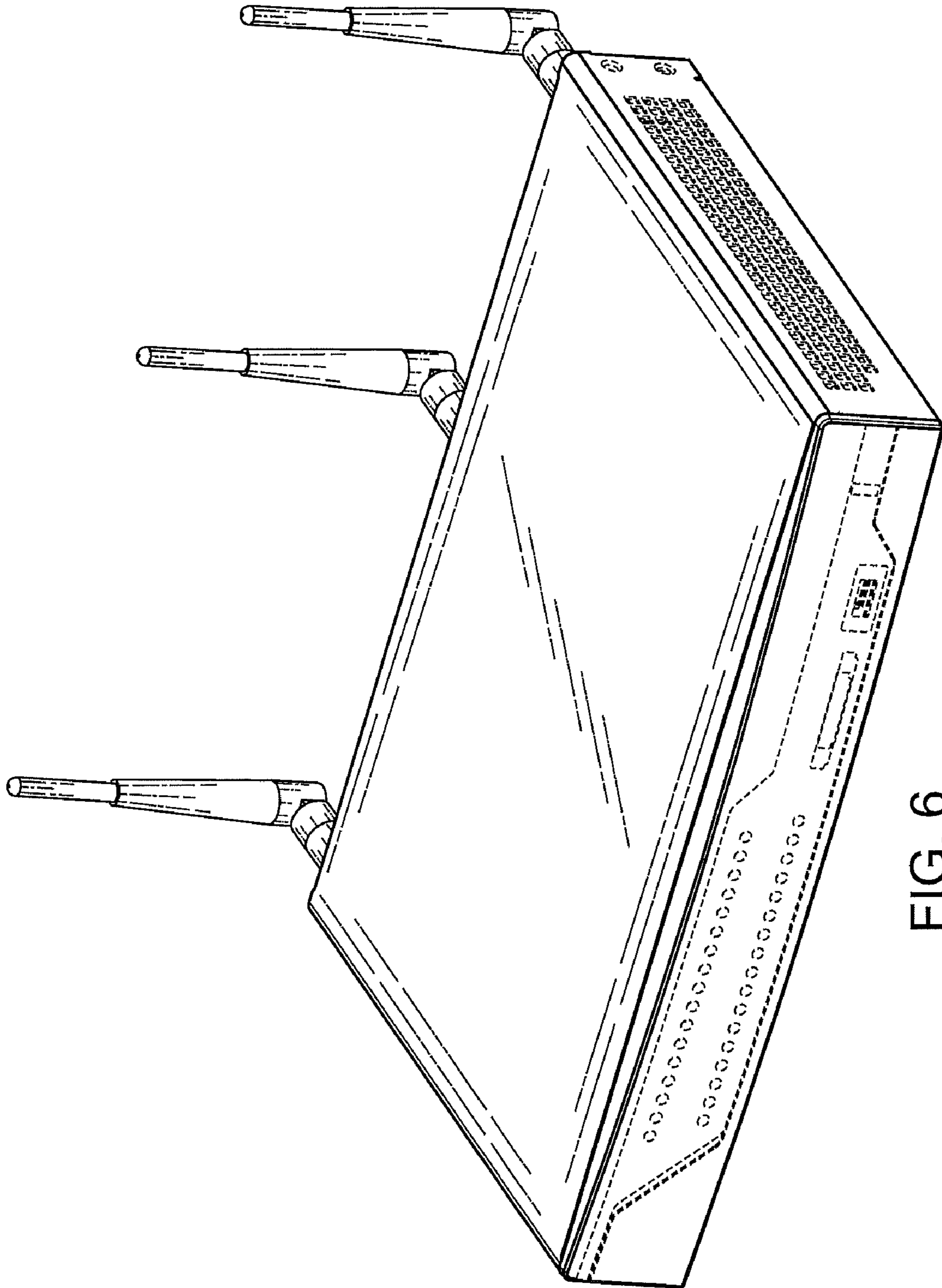


FIG. 6

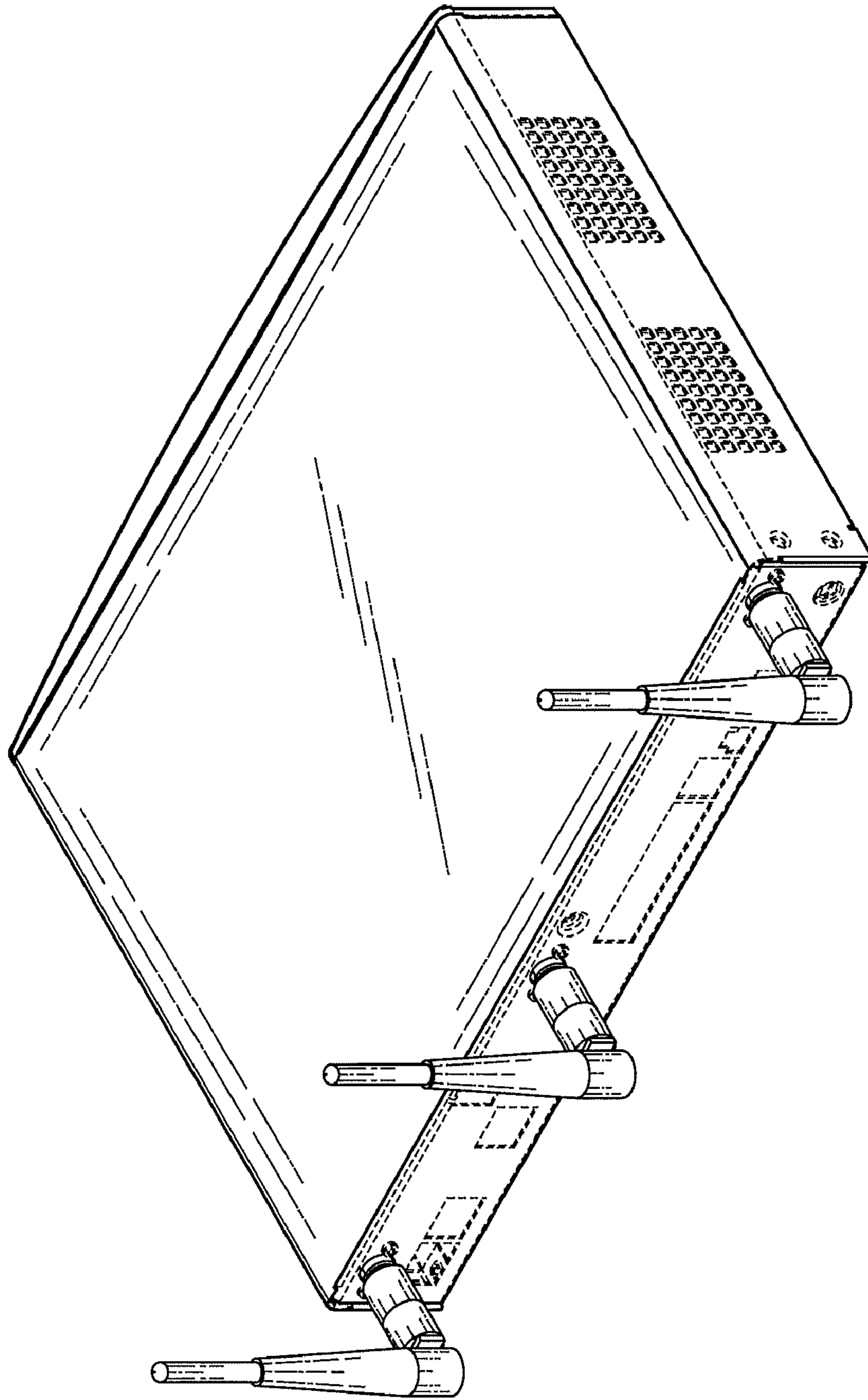


FIG. 7