

US00D597086S

(12) **United States Design Patent**
Sergi et al.

(10) **Patent No.:** **US D597,086 S**

(45) **Date of Patent:** **** Jul. 28, 2009**

(54) **BRACKET FOR AN ANTENNA**

(75) Inventors: **Paul D. Sergi**, Peninsula, OH (US);
Edward L. Merical, Canal Fulton, OH
(US); **Christopher R. Cummings**,
Newton Falls, OH (US)

(73) Assignee: **PDS Electronics, Inc.**, Tallmadge, OH
(US)

(**) Term: **14 Years**

(21) Appl. No.: **29/314,455**

(22) Filed: **Apr. 3, 2009**

(51) **LOC (9) Cl.** **14-03**

(52) **U.S. Cl.** **D14/238**

(58) **Field of Classification Search** D14/230–238,
D14/354, 299, 358; D6/495; D16/242; 343/700 R,
343/878–892; 455/561; D8/354

See application file for complete search history.

(56) **References Cited**

U.S. PATENT DOCUMENTS

| | | | | | | |
|-----------|---|---|---------|---------|-------|-----------|
| 3,185,424 | A | * | 5/1965 | Sloop | | 248/205.1 |
| D431,770 | S | * | 10/2000 | Willet | | D8/354 |
| D439,137 | S | * | 3/2001 | Ausilio | | D8/354 |
| D495,223 | S | * | 8/2004 | Altman | | D8/19 |

| | | | | | | |
|----------|---|---|---------|--------------|-------|---------|
| D520,344 | S | * | 5/2006 | Vejmarker | | D8/354 |
| D533,547 | S | * | 12/2006 | Sergi | | D14/238 |
| D534,904 | S | * | 1/2007 | Crawford | | D14/238 |
| D535,985 | S | * | 1/2007 | Sergi | | D14/238 |
| D538,630 | S | * | 3/2007 | Sergi | | D8/354 |
| D578,521 | S | * | 10/2008 | Sergi et al. | | D14/238 |

* cited by examiner

Primary Examiner—T. Chase Nelson

Assistant Examiner—John Windmuller

(74) *Attorney, Agent, or Firm*—Renner, Kenner, Grieve,
Bobak, Taylor & Weber

(57) **CLAIM**

The ornamental design for a bracket for an antenna, as shown
and described.

DESCRIPTION

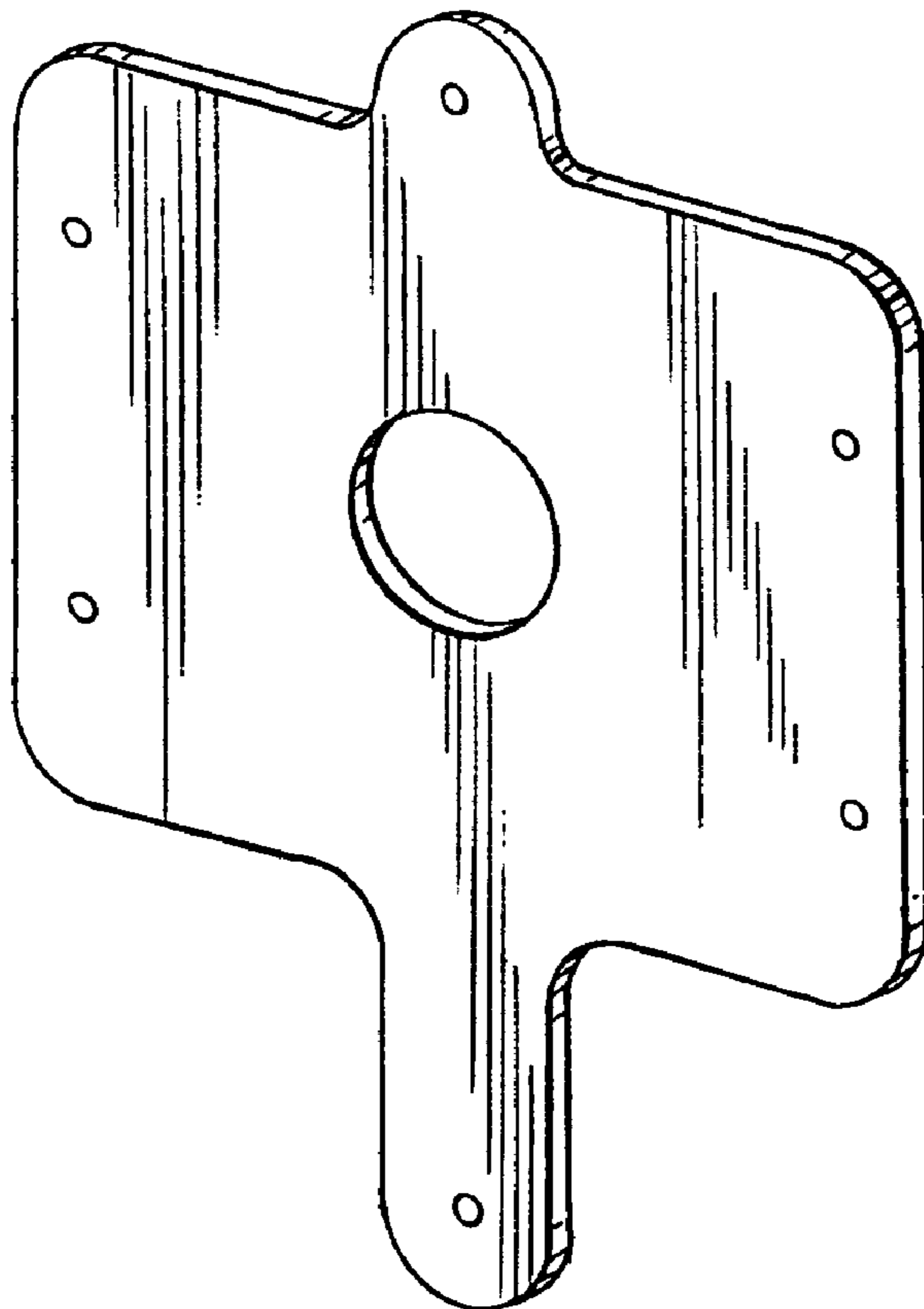
FIG. 1 is a top, front right side perspective view of a bracket
for an antenna showing our new design;

FIG. 2 is a front elevational view thereof, the rear elevational
view being the same as FIG. 2;

FIG. 3 is a top plan view thereof, the bottom plan view being
the same as FIG. 3; and,

FIG. 4 is a right side elevational view thereof, the left side
elevational view being the same as FIG. 4.

1 Claim, 2 Drawing Sheets



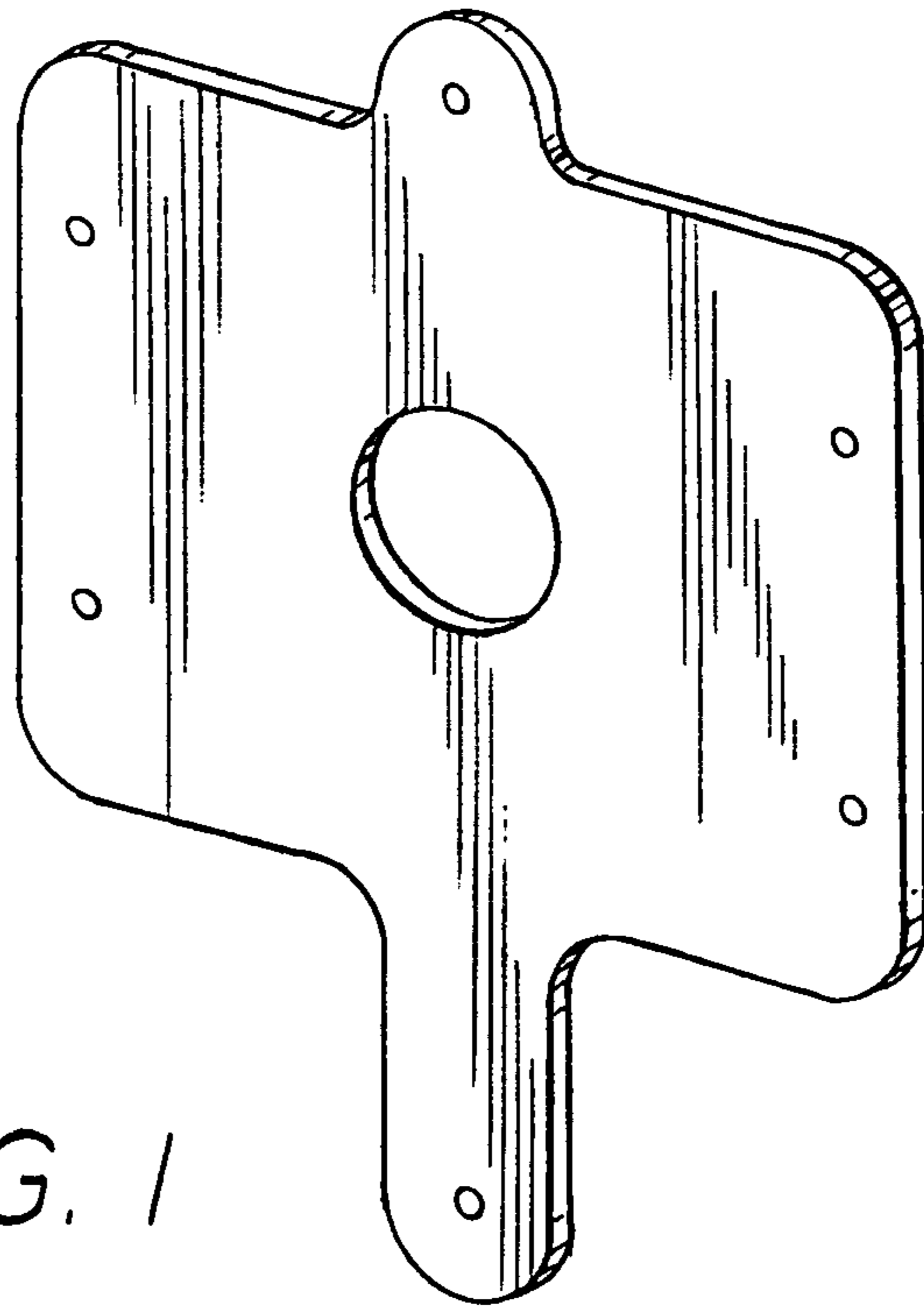


FIG. 1

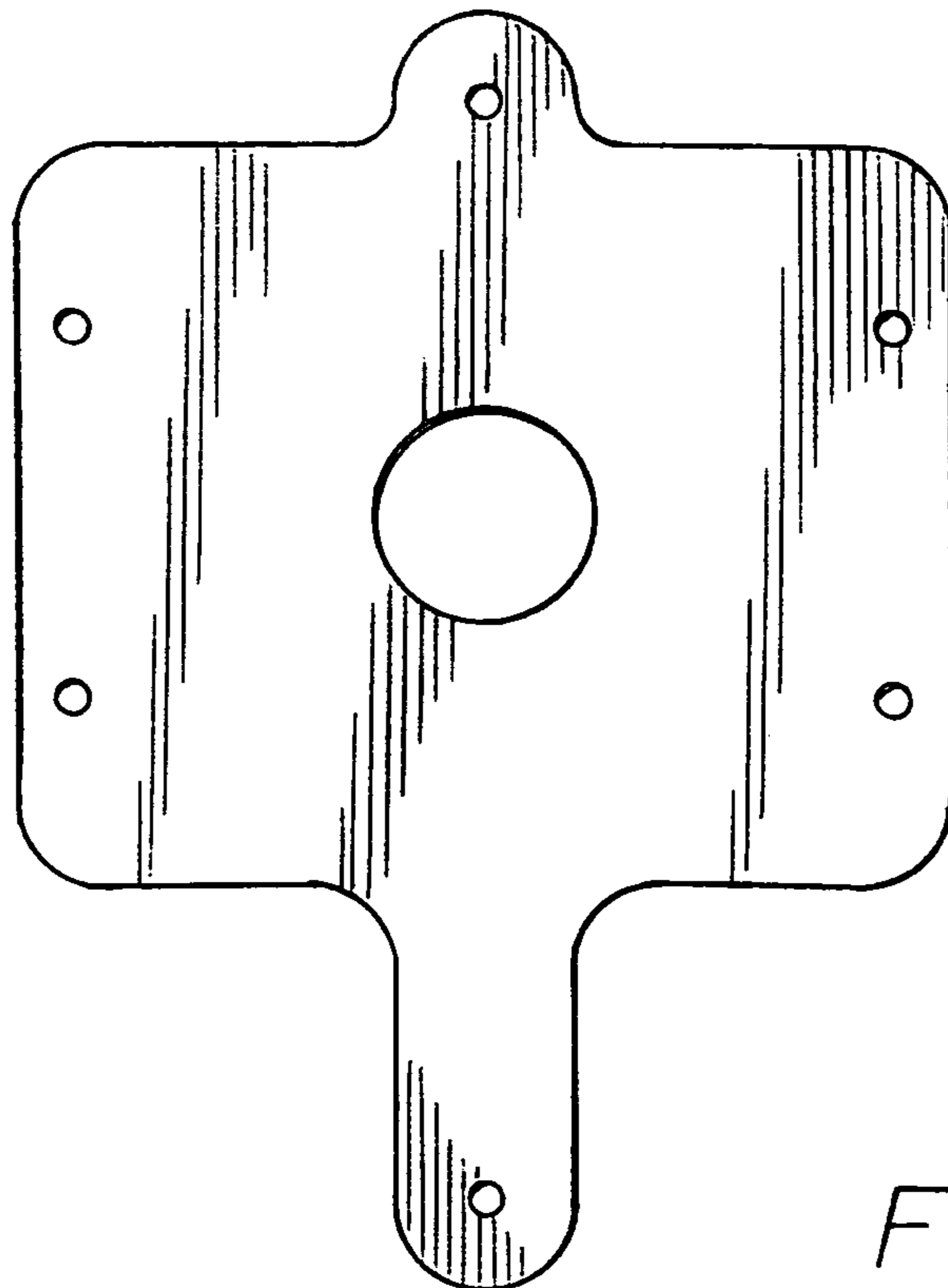


FIG. 2



FIG. 3



FIG. 4