



US00D597084S

(12) **United States Design Patent**  
**Gondo**

(10) **Patent No.:** **US D597,084 S**

(45) **Date of Patent:** **\*\* Jul. 28, 2009**

(54) **EARPHONE**

(75) Inventor: **Makoto Gondo**, Yokohama (JP)

(73) Assignee: **Victor Company of Japan, Limited**,  
Yokohama-shi (JP)

(\*\*) Term: **14 Years**

(21) Appl. No.: **29/309,886**

(22) Filed: **Nov. 3, 2008**

(30) **Foreign Application Priority Data**

May 28, 2008 (JP) ..... D2008-013323

(51) **LOC (9) Cl.** ..... **14-01**

(52) **U.S. Cl.** ..... **D14/223**

(58) **Field of Classification Search** ..... D14/142,  
D14/188, 192, 205, 206, 223; 181/129, 130,  
181/135; 381/151, 322, 380, 381, 360, 361,  
381/370, 375; 379/430, 431; 455/90.3, 569.1,  
455/575.2; D24/173, 174

See application file for complete search history.

(56) **References Cited**

**U.S. PATENT DOCUMENTS**

1,406,510	A *	2/1922	Weber	.....	381/380
D213,109	S *	1/1969	Young	.....	D24/174
5,410,608	A *	4/1995	Lucey et al.	.....	381/360
D357,921	S *	5/1995	Ming-Chin	.....	D14/223
D382,874	S *	8/1997	Peschke et al.	.....	D14/142
D430,146	S *	8/2000	Lin	.....	D14/223
6,574,345	B1 *	6/2003	Huang	.....	381/380
6,704,429	B2 *	3/2004	Lin	.....	381/380

D512,990	S *	12/2005	Yang	.....	D14/223
D531,169	S *	10/2006	Tokioka et al.	.....	D14/223
D555,152	S *	11/2007	Wang	.....	D14/223
D566,099	S *	4/2008	Komiyama	.....	D14/206
D567,217	S *	4/2008	Kamo et al.	.....	D14/205
D581,396	S *	11/2008	Wikel et al.	.....	D14/206
D583,804	S *	12/2008	Mahler et al.	.....	D14/223
D587,681	S *	3/2009	Yanai	.....	D14/205

\* cited by examiner

*Primary Examiner*—Paula Greene

(74) *Attorney, Agent, or Firm*—The Nath Law Group; Jerald L. Meyer; Dereck Richmond

(57) **CLAIM**

The ornamental design for an earphone, as shown and described.

**DESCRIPTION**

FIG. 1 is a perspective view of an earphone;

FIG. 2 is a front view thereof, the rear interior of the ear insert is not part of the claimed design;

FIG. 3 is a rear view thereof;

FIG. 4 is a top plan view thereof;

FIG. 5 is a bottom plan view thereof;

FIG. 6 is a right side view thereof; and,

FIG. 7 is a left side view thereof.

The broken lines showing on the drawing disclosure are for illustrative purposes only and form no part of the claimed design.

**1 Claim, 4 Drawing Sheets**

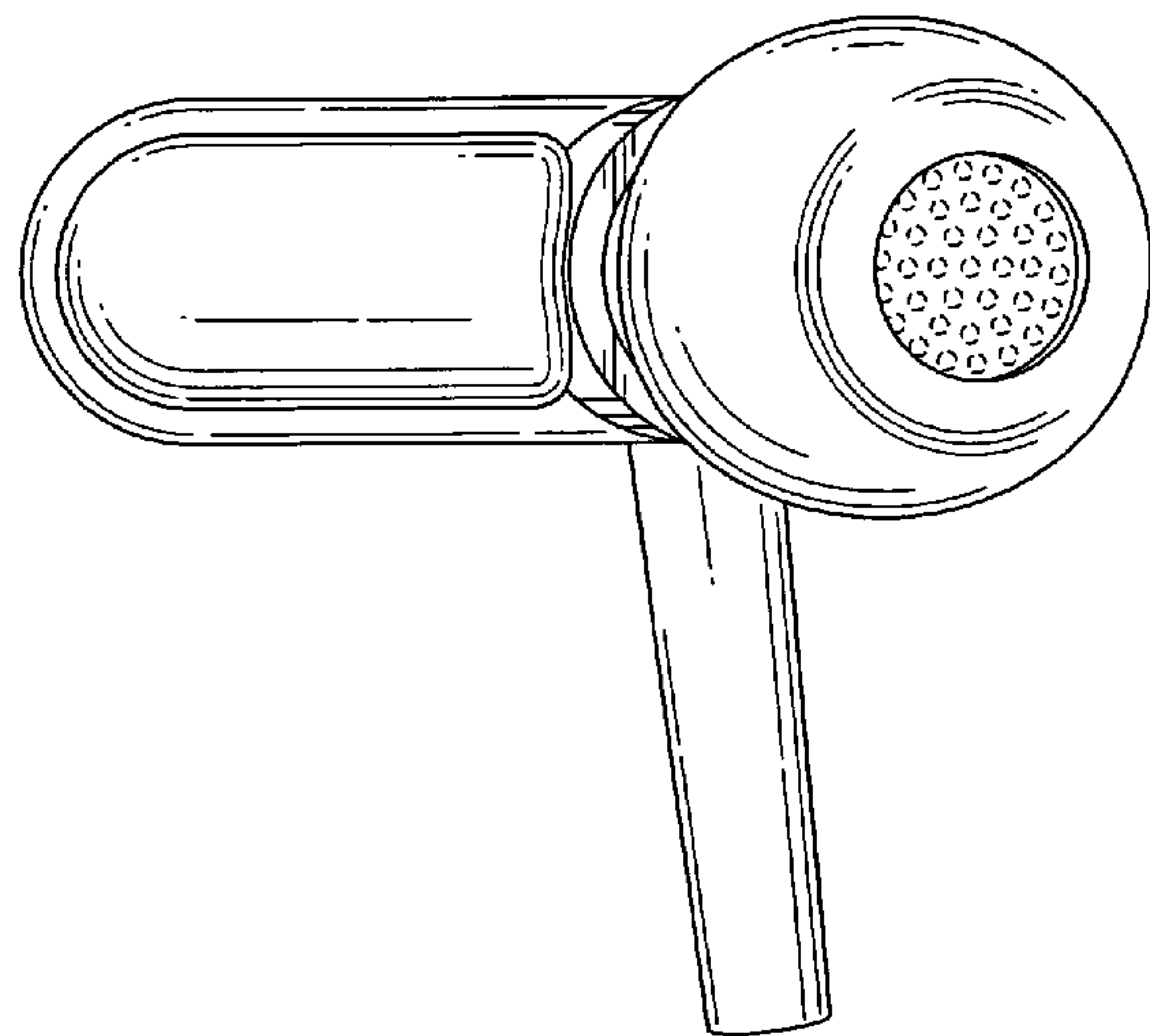
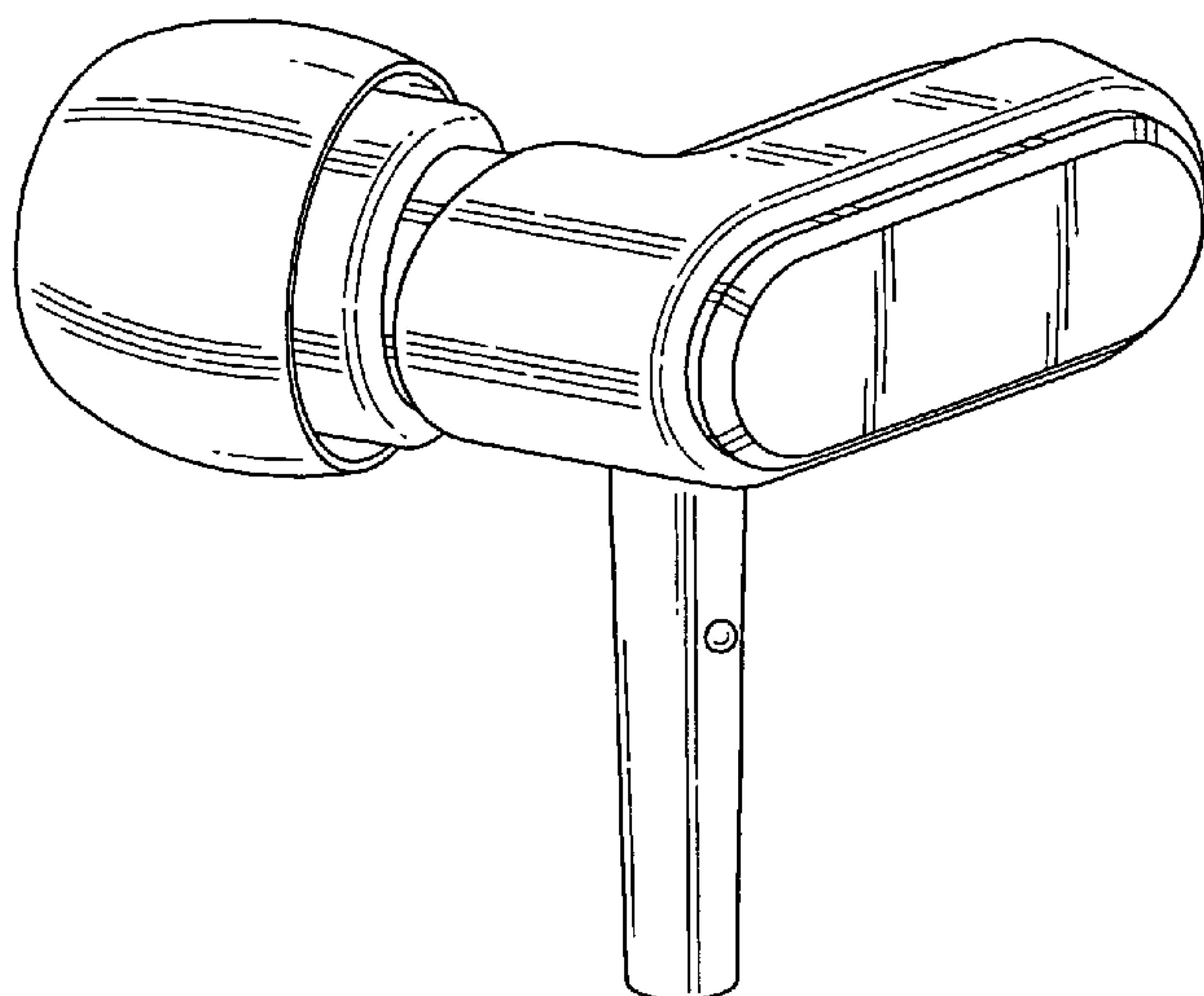


Fig.1

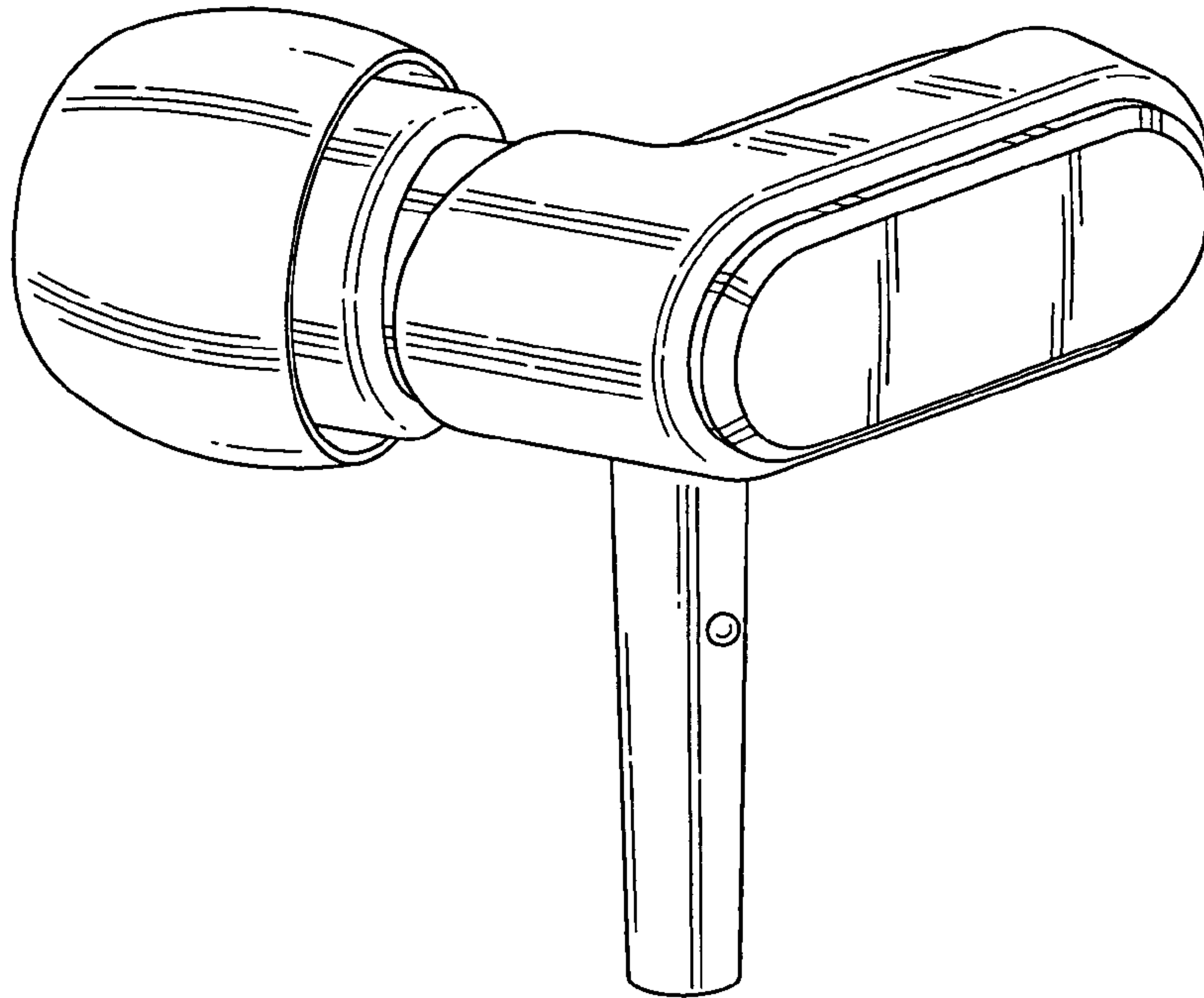


Fig.2

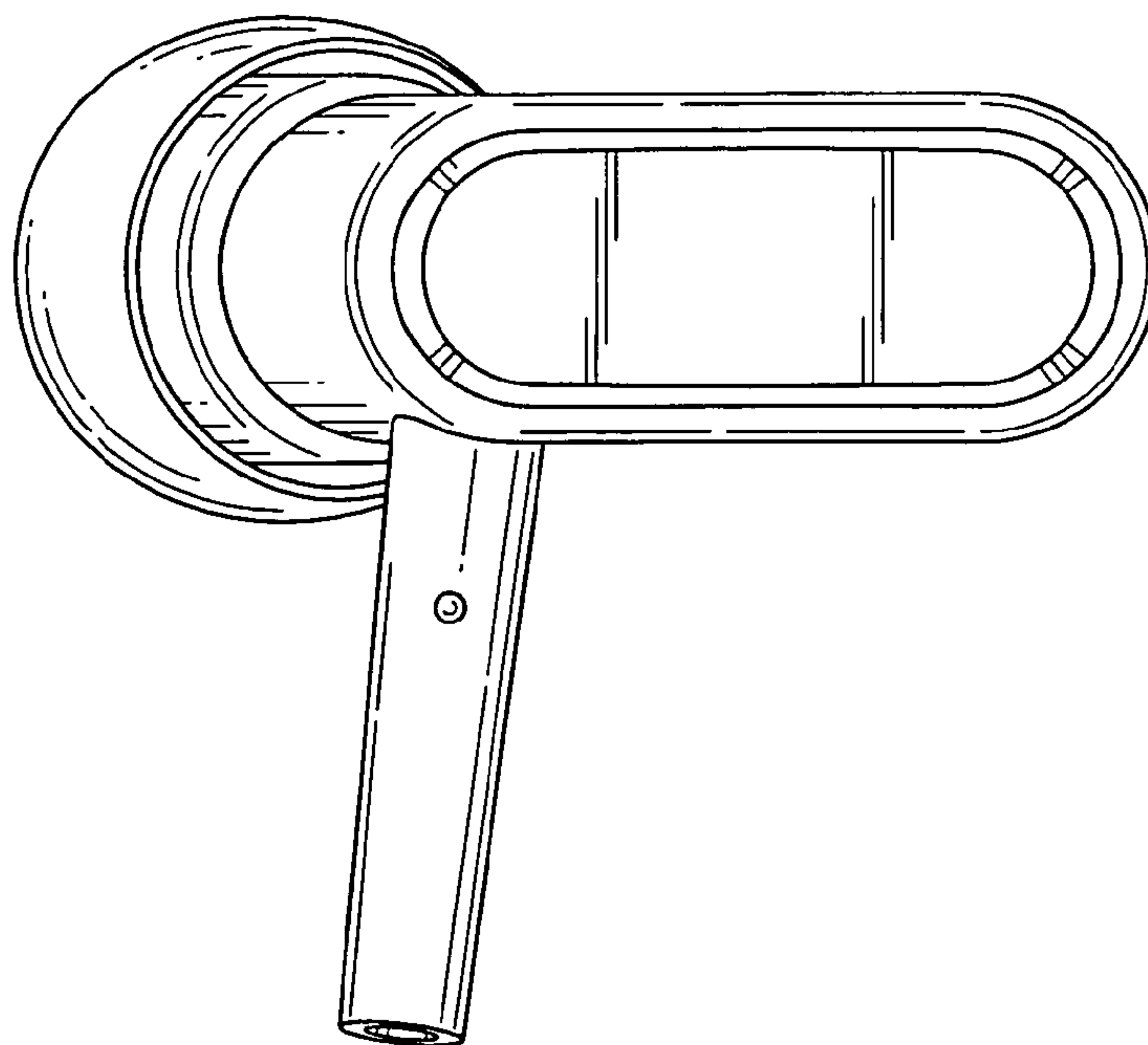


Fig.3

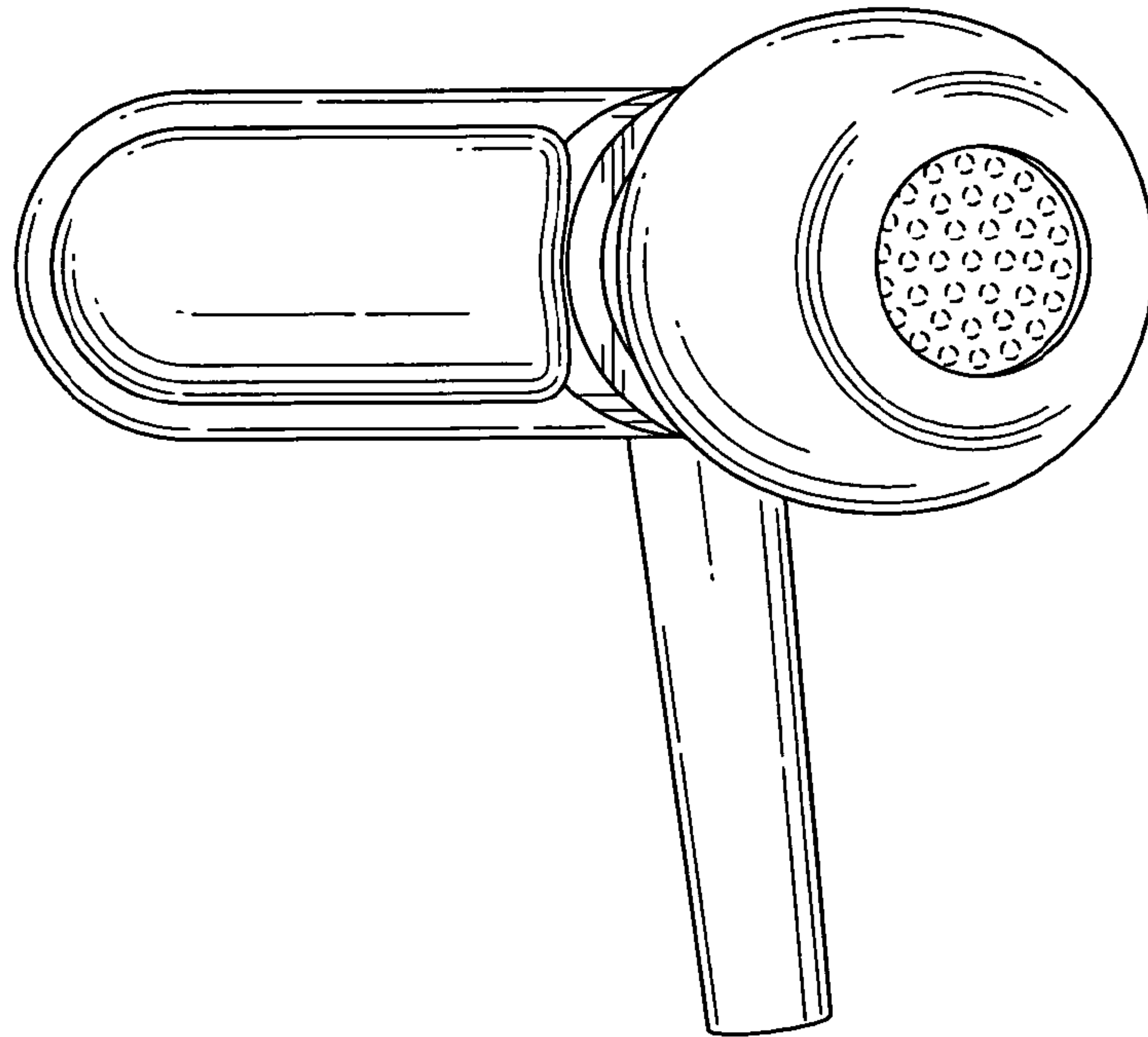


Fig.4

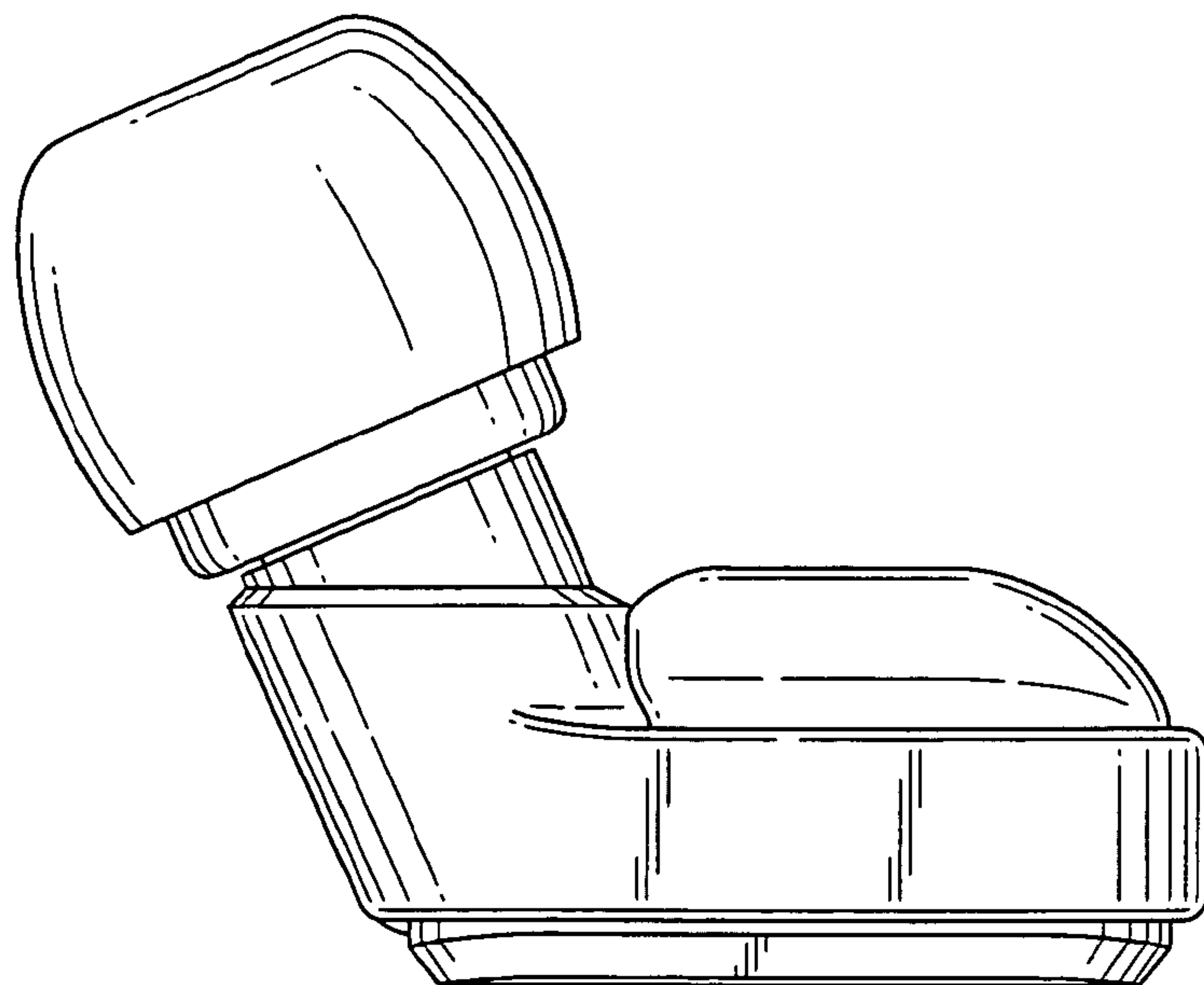


Fig.5

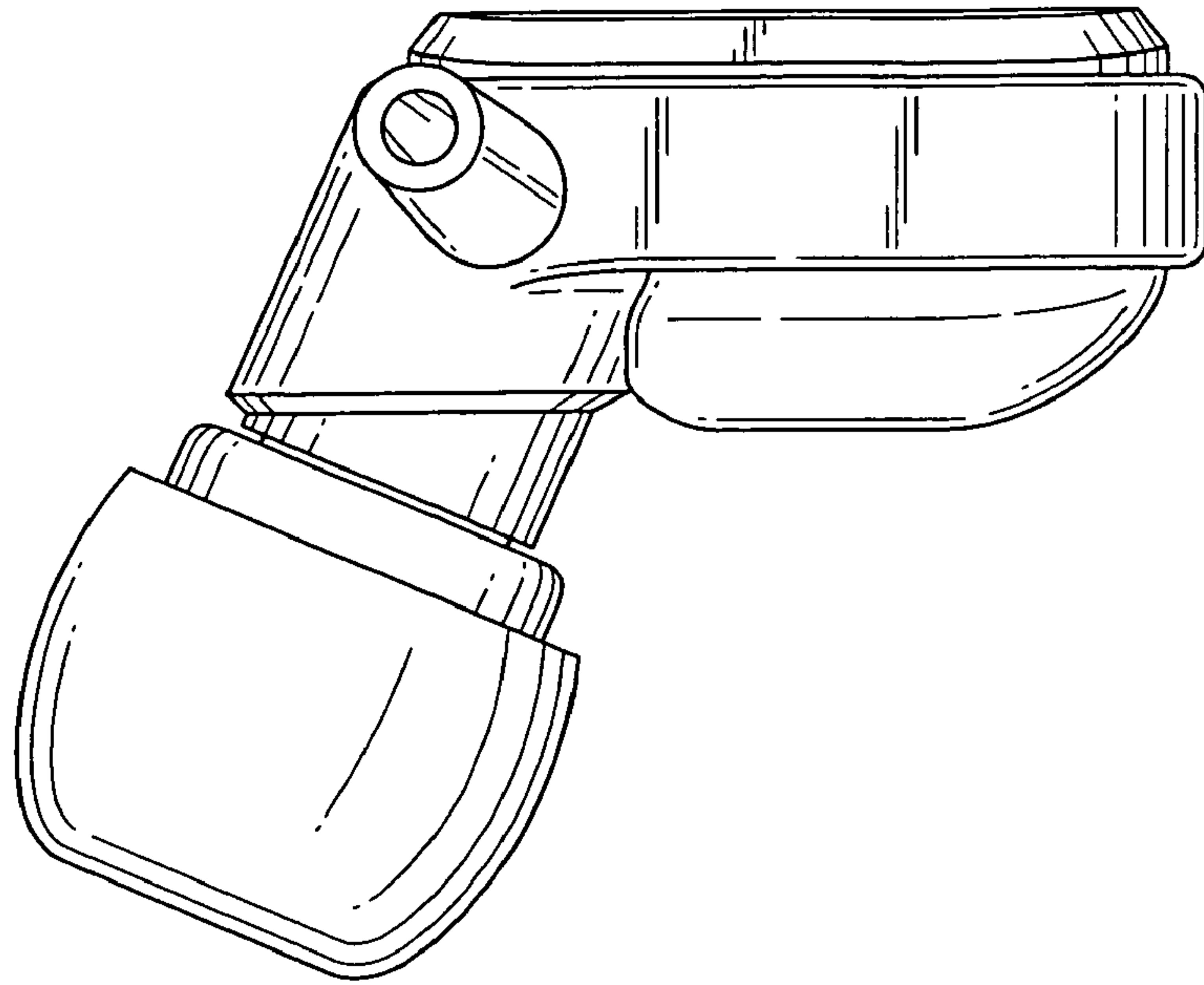


Fig.6

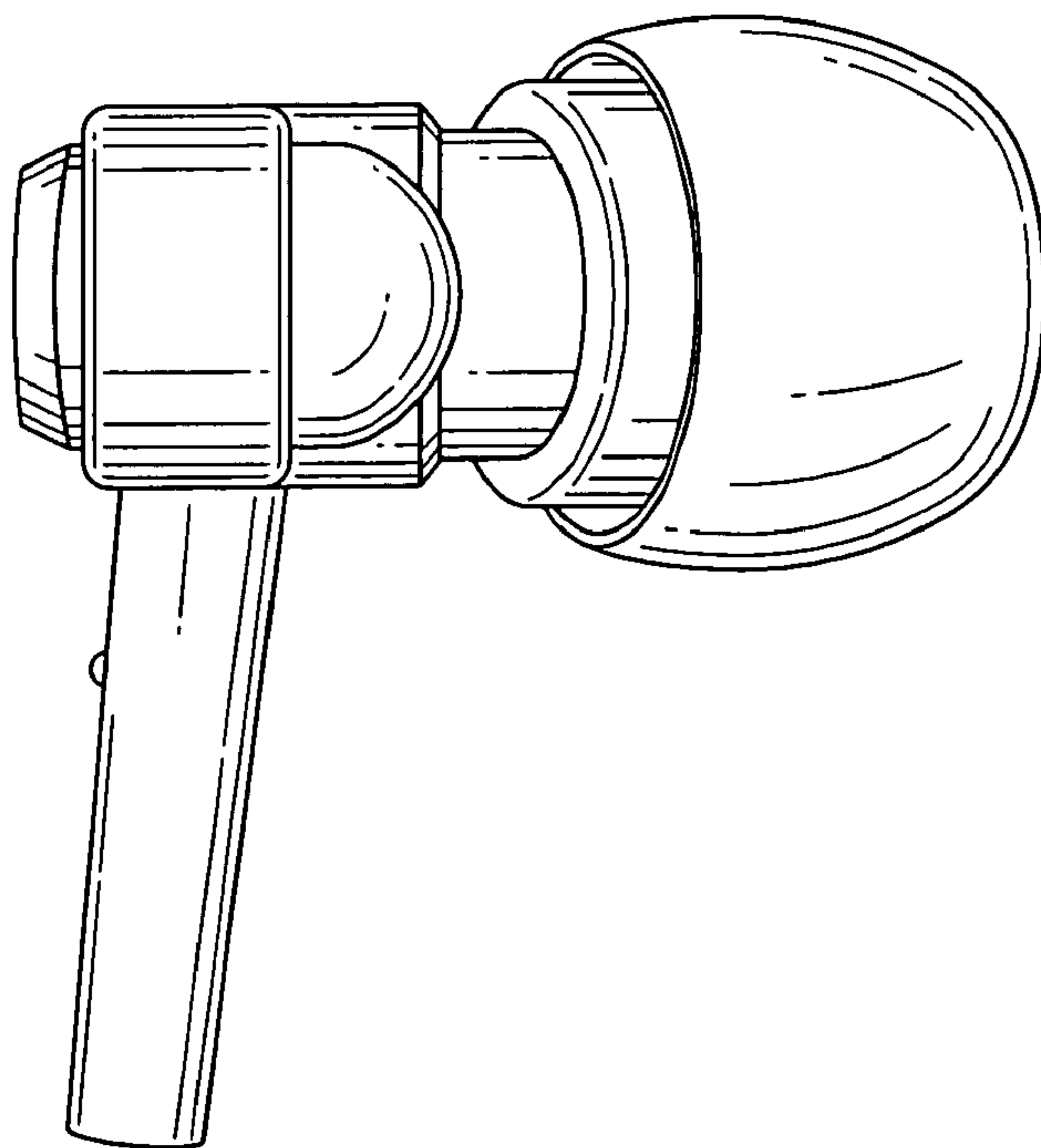


Fig. 7

