



US00D597083S

(12) **United States Design Patent**  
**Nousiainen**

(10) **Patent No.:** **US D597,083 S**  
(45) **Date of Patent:** **\*\* Jul. 28, 2009**

(54) **HEADSET**

(75) Inventor: **Esa Nousiainen**, Vantaa (FI)

(73) Assignee: **Nokia Corporation**, Espoo (FI)

(\*\*) Term: **14 Years**

(21) Appl. No.: **29/306,960**

(22) Filed: **Apr. 18, 2008**

(51) **LOC (9) Cl.** ..... **14-01**

(52) **U.S. Cl.** ..... **D14/223**

(58) **Field of Classification Search** ..... D14/138,  
D14/188, 192, 174, 205, 223, 217, 218, 219;  
181/129, 130; 379/430, 433.01, 433.02,  
379/433.03, 434; 381/370, 380, 381, 374;  
D13/173, 174, 158, 168; 455/550.1, 575.1,  
455/575.4, 575.6, 575.8, 90.3; D10/106  
See application file for complete search history.

(56) **References Cited**

**U.S. PATENT DOCUMENTS**

D306,853 S	*	3/1990	Mayo et al.	.....	D13/168
D451,076 S	*	11/2001	Sommer et al.	.....	D13/168
D478,893 S	*	8/2003	Corander	.....	D14/218
D509,211 S	*	9/2005	Han et al.	.....	D14/205
D553,540 S	*	10/2007	Siman-Tov et al.	.....	D11/90
D553,613 S	*	10/2007	Sade et al.	.....	D14/223
D555,150 S	*	11/2007	Christopher et al.	.....	D14/223
D559,826 S	*	1/2008	Lee	.....	D14/138 AD
D566,108 S	*	4/2008	Kan	.....	D14/223

D568,301 S	*	5/2008	Kim et al.	.....	D14/223
D569,289 S	*	5/2008	Bender	.....	D10/104
D573,139 S	*	7/2008	Birger	.....	D14/223
D574,367 S	*	8/2008	Jaakkola et al.	.....	D14/223
D575,277 S	*	8/2008	Gaarde et al.	.....	D14/223
D579,924 S	*	11/2008	Sade et al.	.....	D14/223
D579,925 S	*	11/2008	Jaakkola et al.	.....	D14/223

\* cited by examiner

*Primary Examiner*—Paula Greene

(74) *Attorney, Agent, or Firm*—Banner & Witcoff, Ltd.

(57) **CLAIM**

The ornamental design for a headset, as shown and described.

**DESCRIPTION**

FIG. 1 is front perspective view of a first embodiment of a headset showing my new design;

FIG. 2 is a front view thereof;

FIG. 3 is a rear view thereof;

FIG. 4 is a right side view thereof;

FIG. 5 is a left side view thereof;

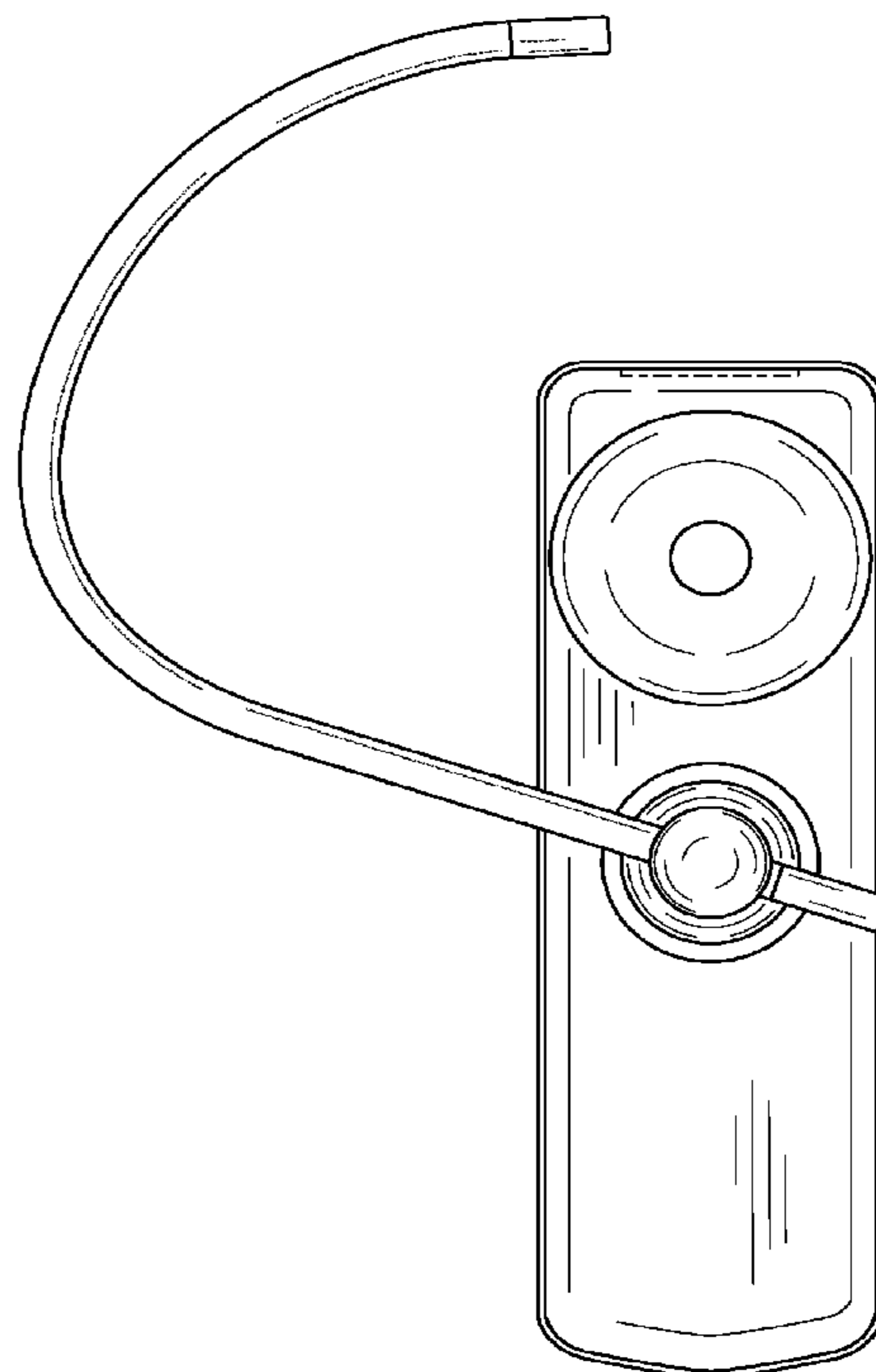
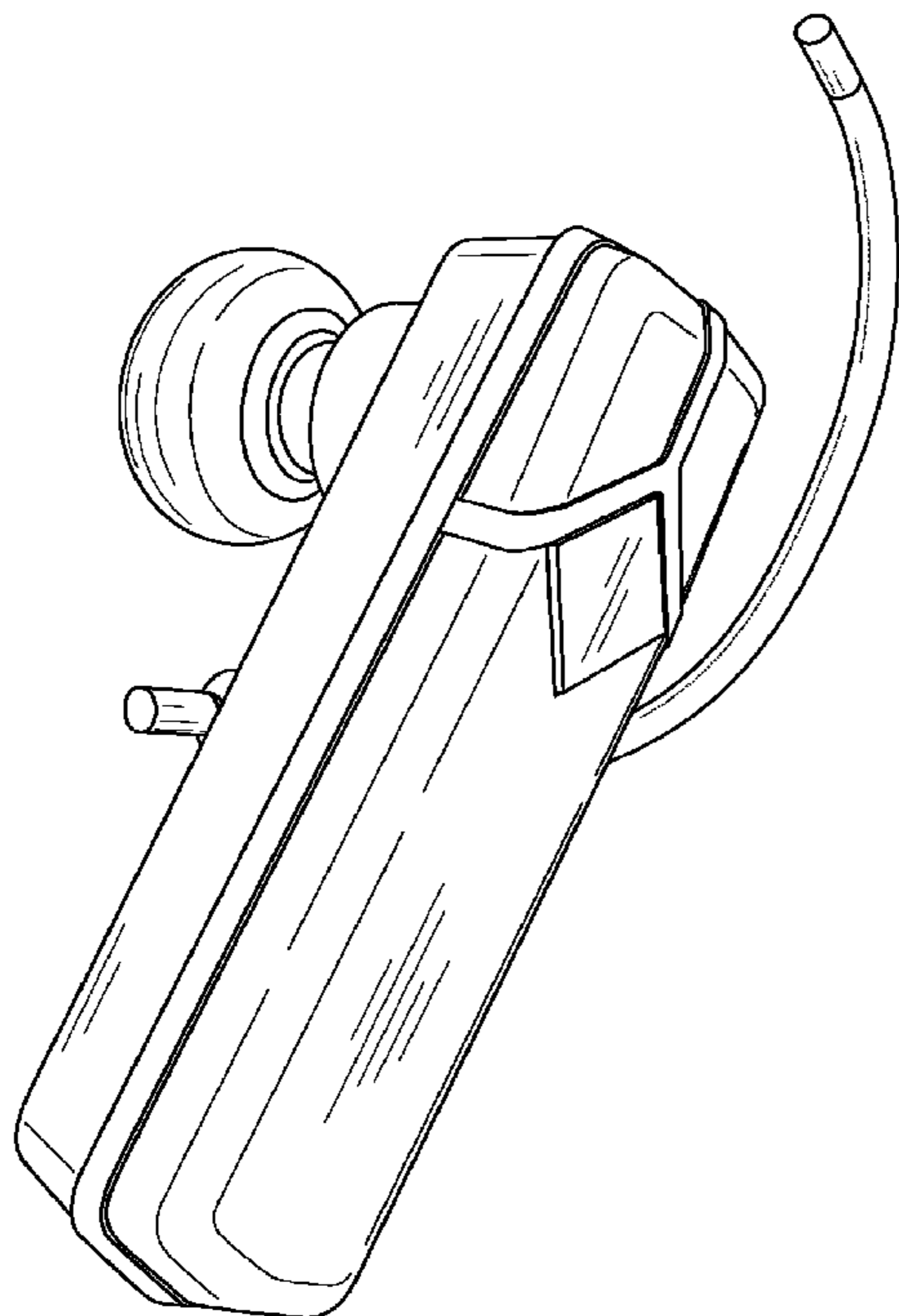
FIG. 6 is a top view thereof;

FIG. 7 is a bottom view thereof; and,

FIG. 8 is a rear perspective view thereof.

The broken line showing of the environmental structures in FIGS. 3, 6, 7, and 8 is for illustrative purposes and defines the bounds of the claimed design and forms no part thereof.

**1 Claim, 6 Drawing Sheets**



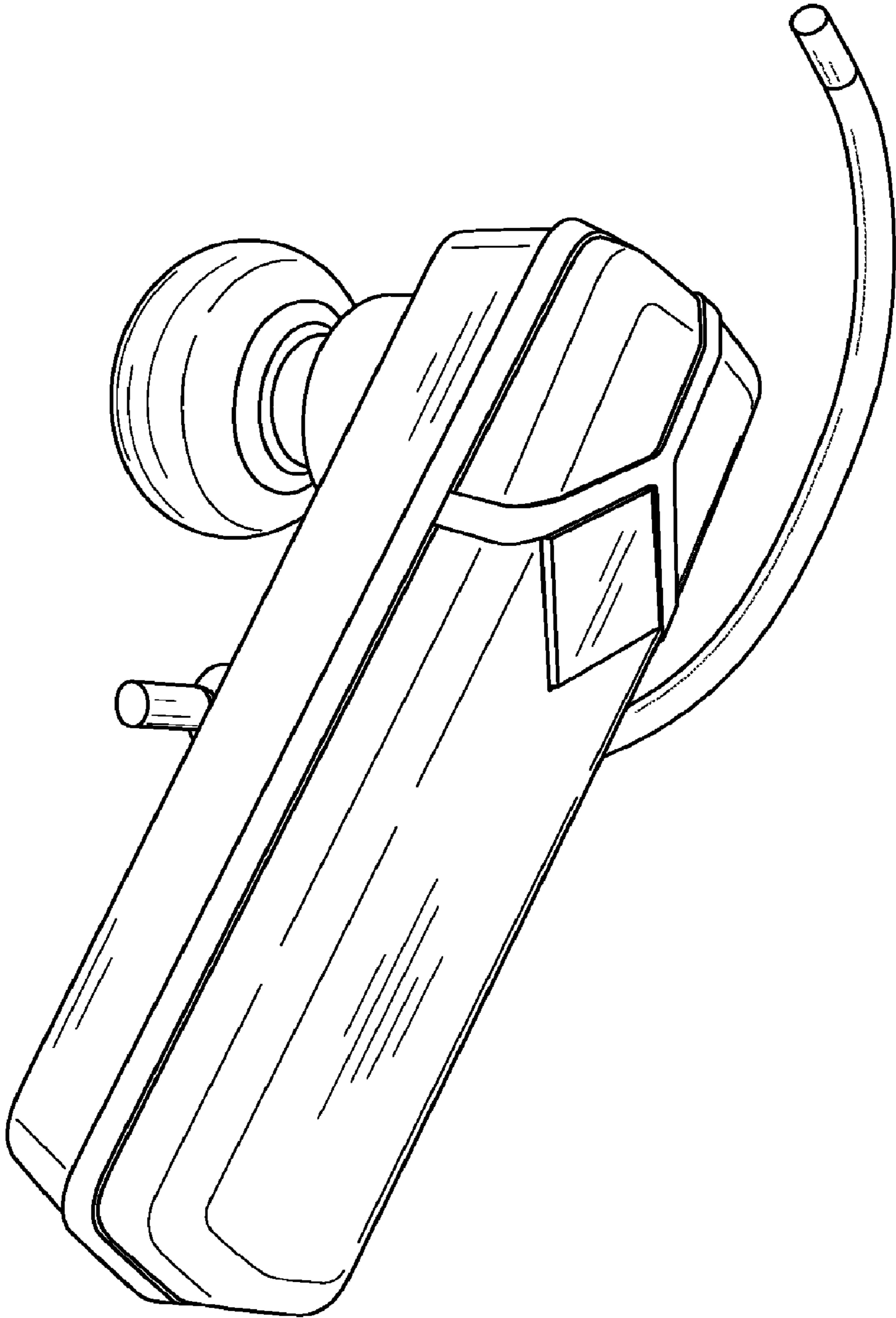


FIG. 1

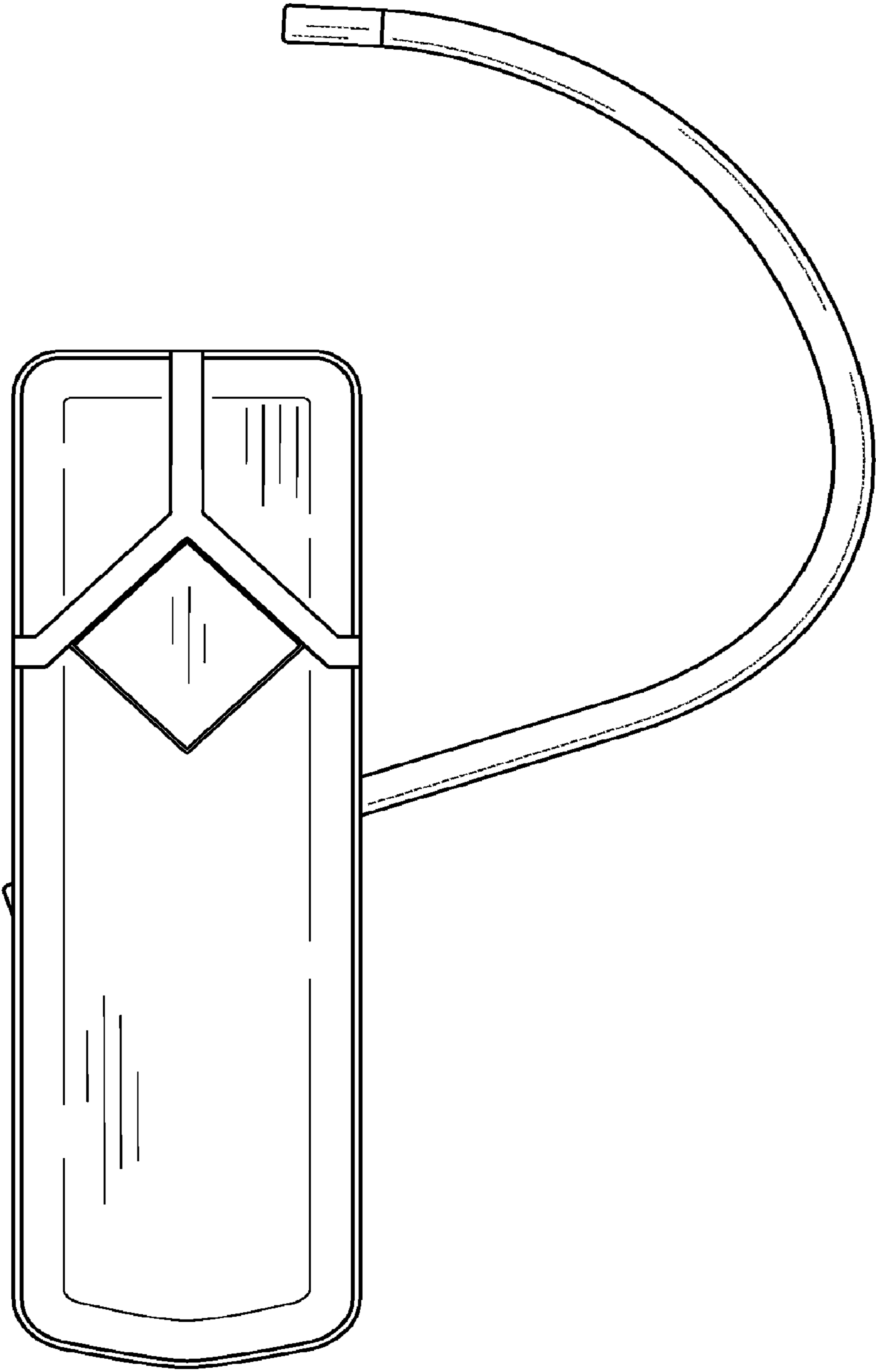


FIG. 2

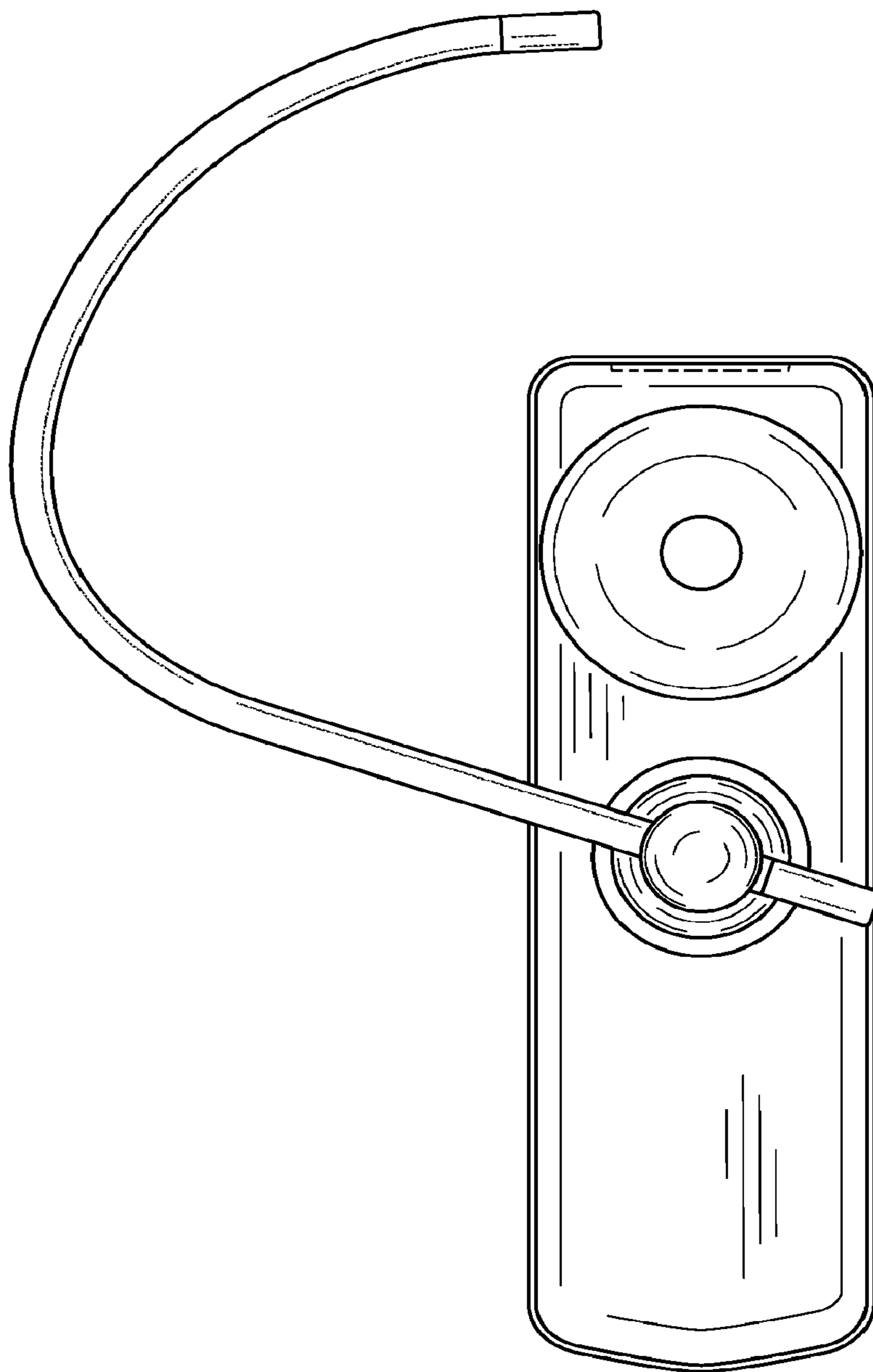


FIG. 3

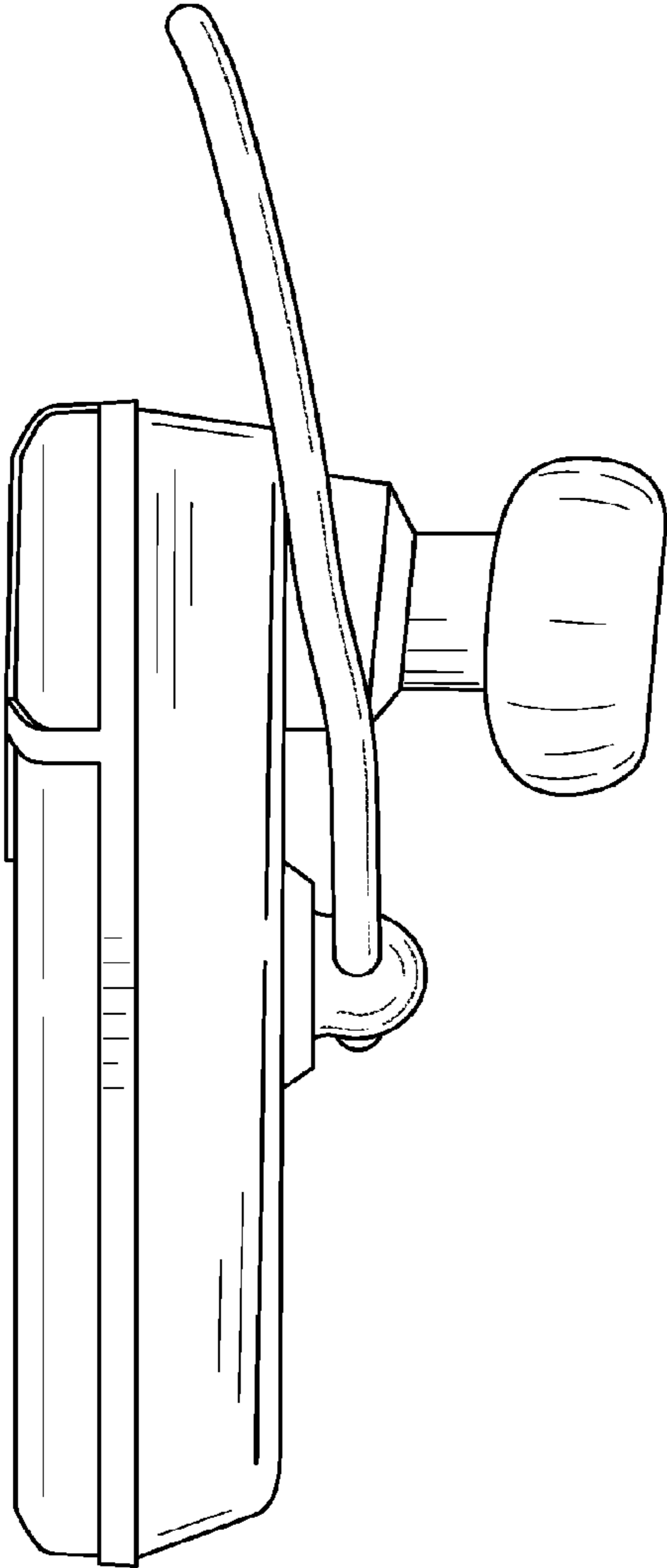


FIG. 4

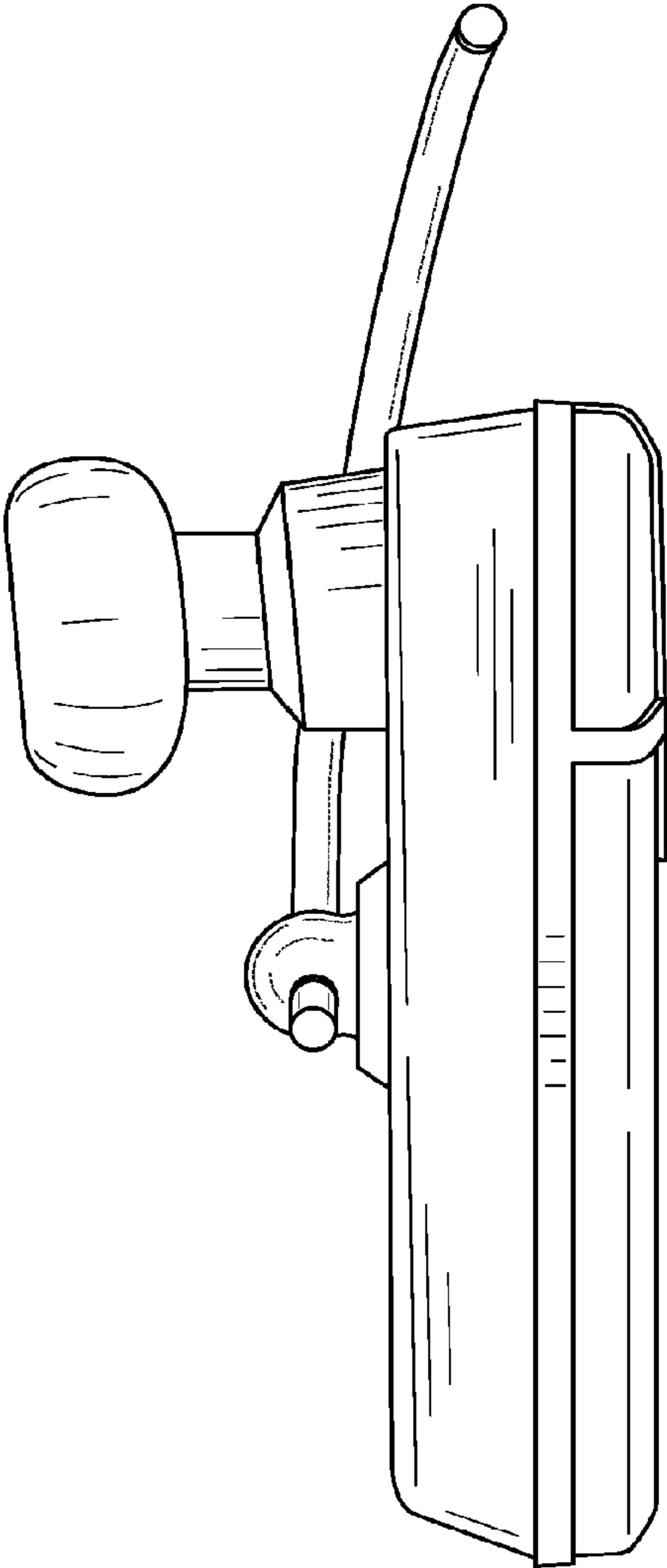


FIG. 5

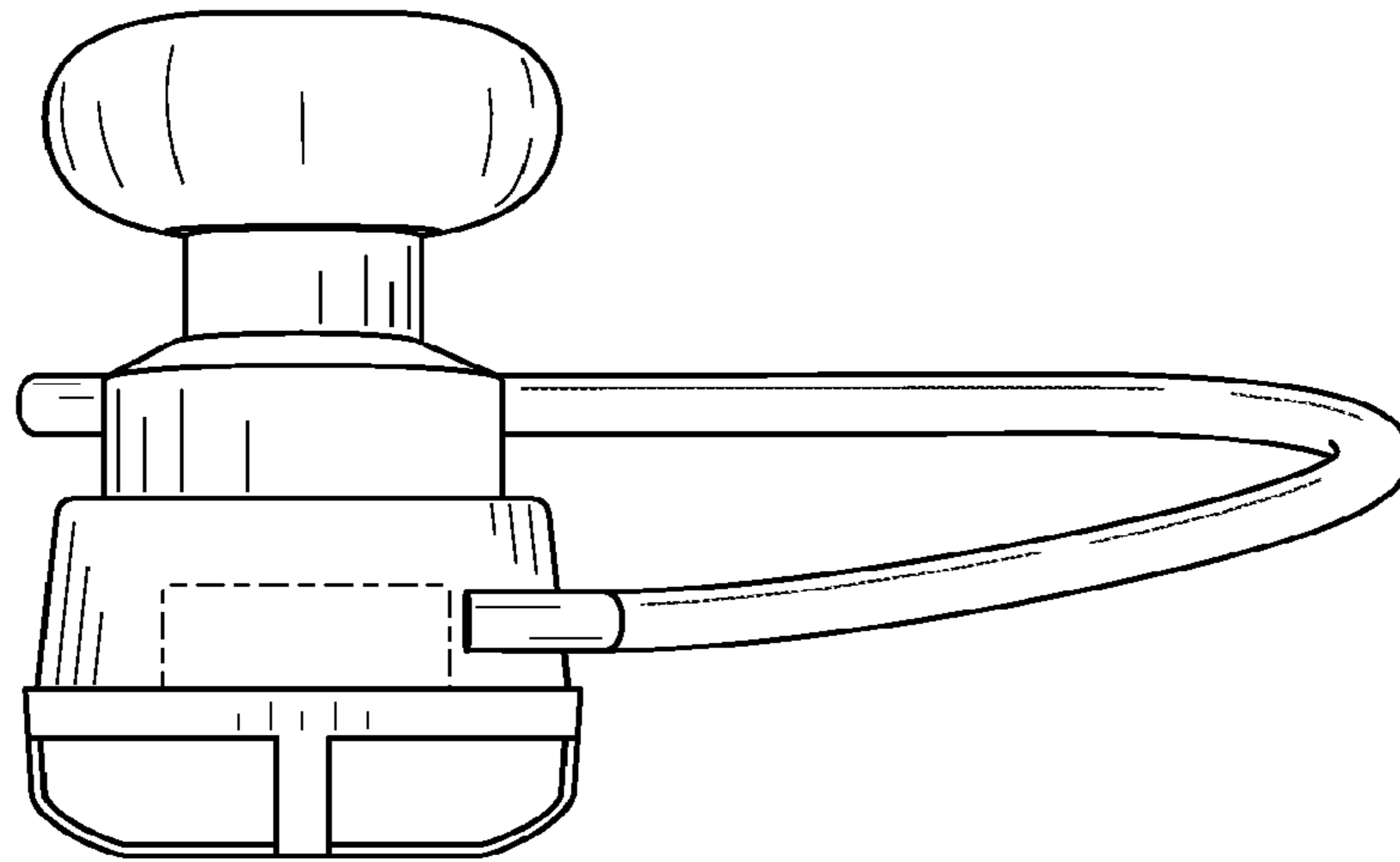


FIG. 6

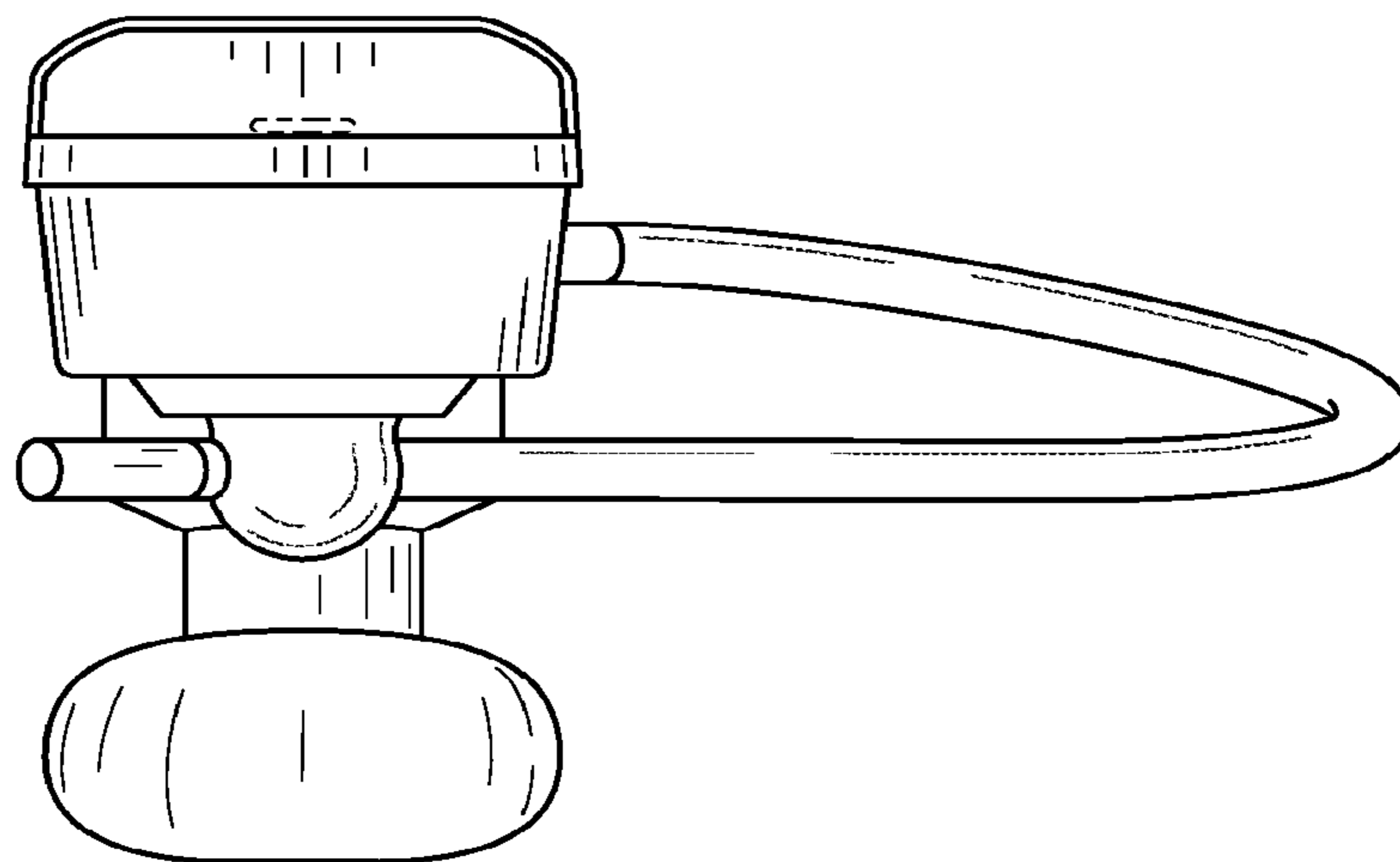


FIG. 7

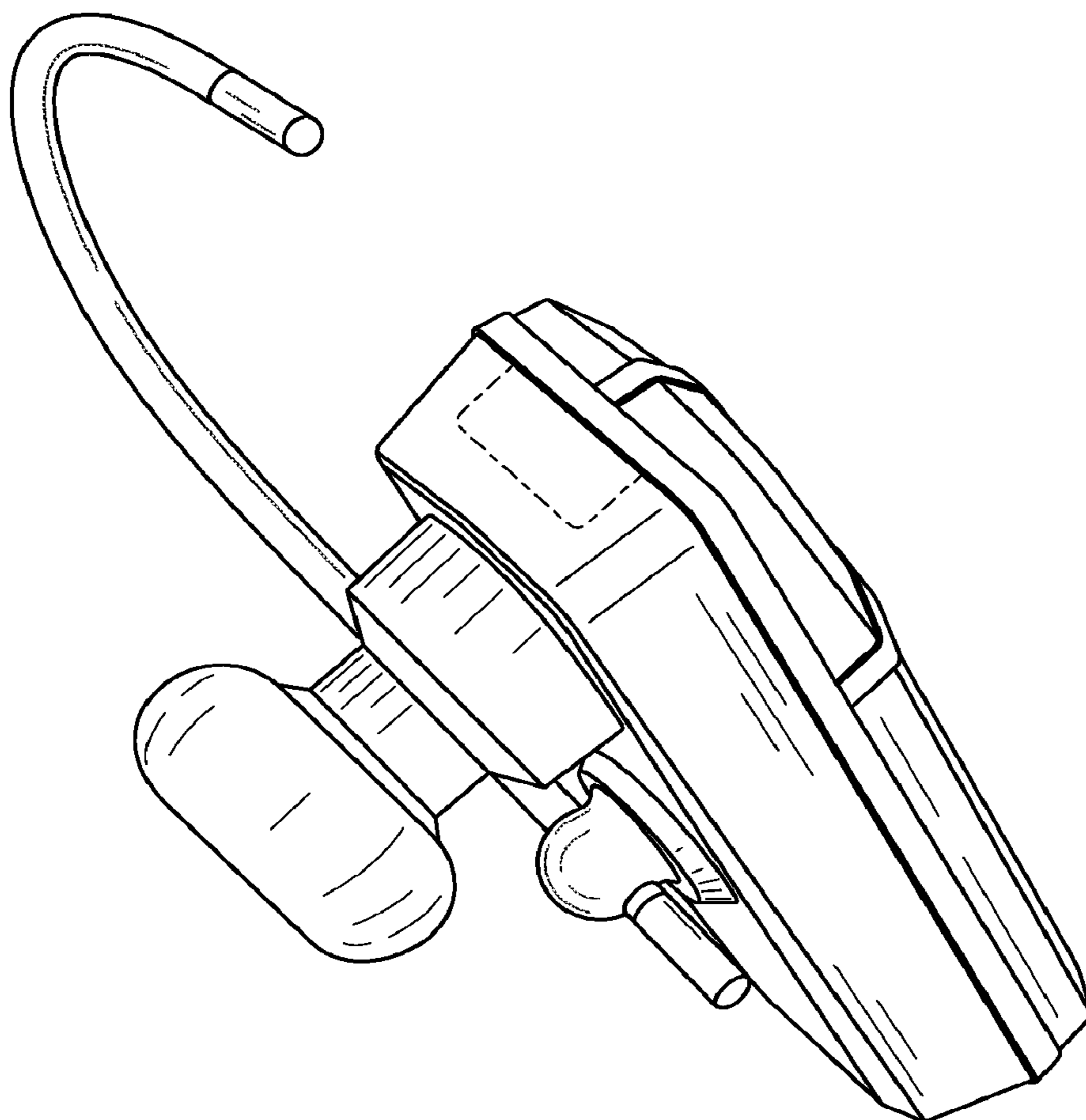


FIG. 8