



US00D597081S

(12) **United States Design Patent**
Andre et al.

(10) **Patent No.:** **US D597,081 S**
(45) **Date of Patent:** **** Jul. 28, 2009**

(54) **STAND**

(75) Inventors: **Bartley K. Andre**, Menlo Park, CA (US); **Daniel J. Coster**, San Francisco, CA (US); **Daniele De Iuliis**, San Francisco, CA (US); **Evans Hankey**, San Francisco, CA (US); **Richard P. Howarth**, San Francisco, CA (US); **Jonathan P. Ive**, San Francisco, CA (US); **Duncan Robert Kerr**, San Francisco, CA (US); **Shin Nishibori**, Portola Valley, CA (US); **Matthew Dean Rohrbach**, San Francisco, CA (US); **Peter Russell-Clarke**, San Francisco, CA (US); **Douglas B. Satzger**, Menlo Park, CA (US); **Christopher J. Stringer**, Woodside, CA (US); **Eugene Antony Whang**, San Francisco, CA (US); **Rico Zorkendorfer**, San Francisco, CA (US)

(73) Assignee: **Apple Inc.**, Cupertino, CA (US)

(**) Term: **14 Years**

(21) Appl. No.: **29/319,238**

(22) Filed: **Jun. 5, 2008**

Related U.S. Application Data

(63) Continuation of application No. 29/319,154, filed on Jun. 4, 2008.

(51) **LOC (9) Cl.** **14-03**

(52) **U.S. Cl.** **D14/217**

(58) **Field of Classification Search** D14/142, D14/149, 155, 157, 188, 191-193, 203.1-203.8, D14/217, 251, 253, 432-435.1, 447, 451, D14/474, 480.1-480.7, 496; D13/107, 108, D13/118; D3/218; 248/221.11, 309.1; 320/107, 320/110, 113-115; 361/600, 679, 683, 686; 439/529, 534; 455/556.1-556.2, 557

See application file for complete search history.

(56) **References Cited**

U.S. PATENT DOCUMENTS

D358,821 S	5/1995	Hellier et al.
5,602,458 A	2/1997	Dowe
D385,530 S	10/1997	Hames et al.
D390,824 S	2/1998	Foster et al.
6,042,414 A	3/2000	Kunert
D442,939 S	5/2001	Goldenburg
D444,124 S	6/2001	Casey et al.
D463,361 S	9/2002	Ruohonen
D477,823 S	7/2003	Lavello, Sr.
D495,336 S	8/2004	Andre et al.

(Continued)

OTHER PUBLICATIONS

U.S. Appl. No. 29/237,687 entitled "Docking Station" filed Sep. 2, 2005.

(Continued)

Primary Examiner—Stella M Reid

Assistant Examiner—Keli L Hill

(74) *Attorney, Agent, or Firm*—Sterne Kessler Goldstein & Fox PLLC

(57) **CLAIM**

The ornamental design for a stand, as shown and described.

DESCRIPTION

FIG. 1 is a top perspective view of a stand showing our new design;

FIG. 2 is a bottom perspective view thereof;

FIG. 3 is a front view thereof;

FIG. 4 is a rear view thereof;

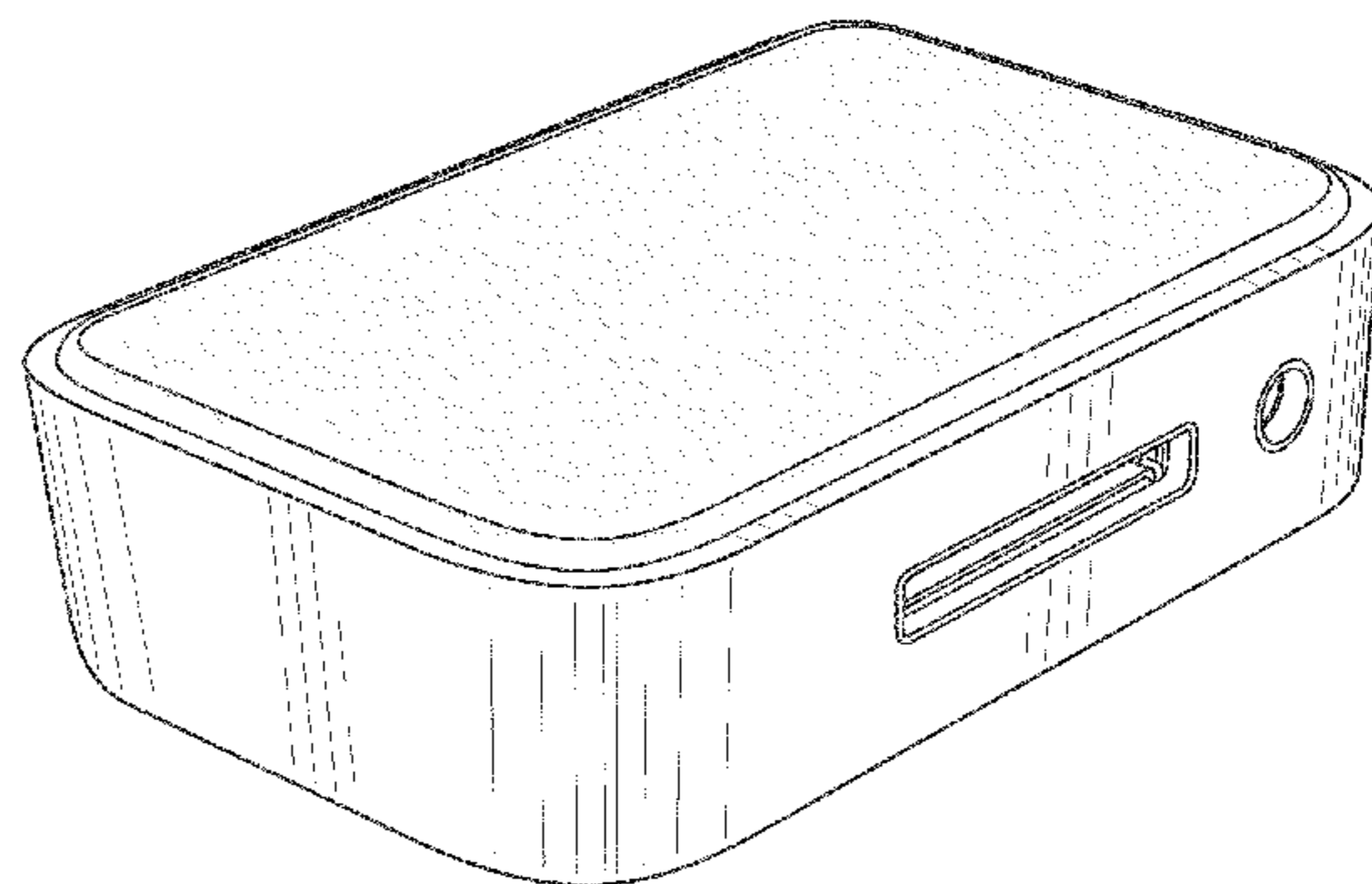
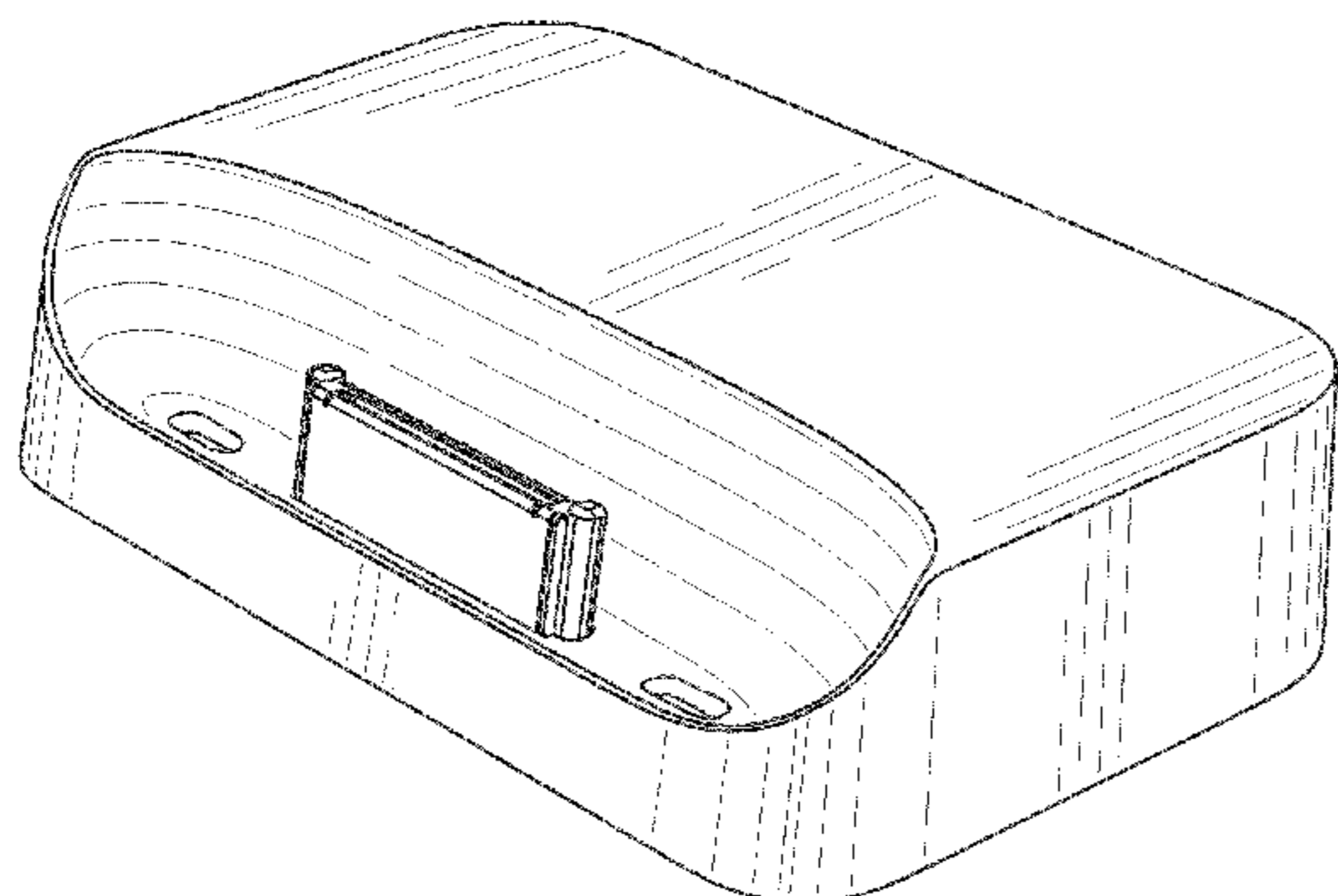
FIG. 5 is a side view thereof;

FIG. 6 is another side view thereof;

FIG. 7 is a top plan view thereof; and,

FIG. 8 is a bottom plan view thereof.

1 Claim, 3 Drawing Sheets



US D597,081 S

Page 2

U.S. PATENT DOCUMENTS

D520,943 S * 5/2006 Imai D13/108
D520,945 S * 5/2006 Hayamizu D13/108
D520,946 S * 5/2006 Nasu D13/108
7,075,579 B2 7/2006 Whitby et al.
D532,005 S 11/2006 Leith
D535,614 S 1/2007 Majanen et al.
D540,327 S 4/2007 Wong et al.
D544,899 S 6/2007 Li et al.
D551,214 S 9/2007 Hussaini et al.
D551,658 S 9/2007 Hussaini et al.
D553,106 S 10/2007 Griffin
D558,208 S 12/2007 Ikeda et al.
D558,738 S 1/2008 Andre et al.
D558,739 S 1/2008 Andre et al.
D568,874 S * 5/2008 Andre et al. D14/217
D571,360 S * 6/2008 Andre et al. D14/217

D575,275 S 8/2008 Andre et al.
D578,512 S 10/2008 Andre et al.
D580,855 S * 11/2008 Haspil et al. D13/108
D590,770 S * 4/2009 Moss D13/108
2006/0250764 A1 11/2006 Howarth et al.
2007/0047198 A1 3/2007 Crooijmans et al.
2008/0219488 A1* 9/2008 Crooijmans et al. 381/333
2009/0009957 A1* 1/2009 Crooijmans et al. 361/686

OTHER PUBLICATIONS

U.S. Appl. No. 29/296,895 entitled "Docking Station" filed Oct. 30, 2007.
U.S. Appl. No. 29/304,900 entitled "Stand" filed Mar. 10, 2008.
U.S. Appl. No. 29/319,154 entitled "Stand" filed Jun. 4, 2008.
U.S. Appl. No. 29/326,229 entitled "Docking Station" filed Oct. 14, 2008.

* cited by examiner

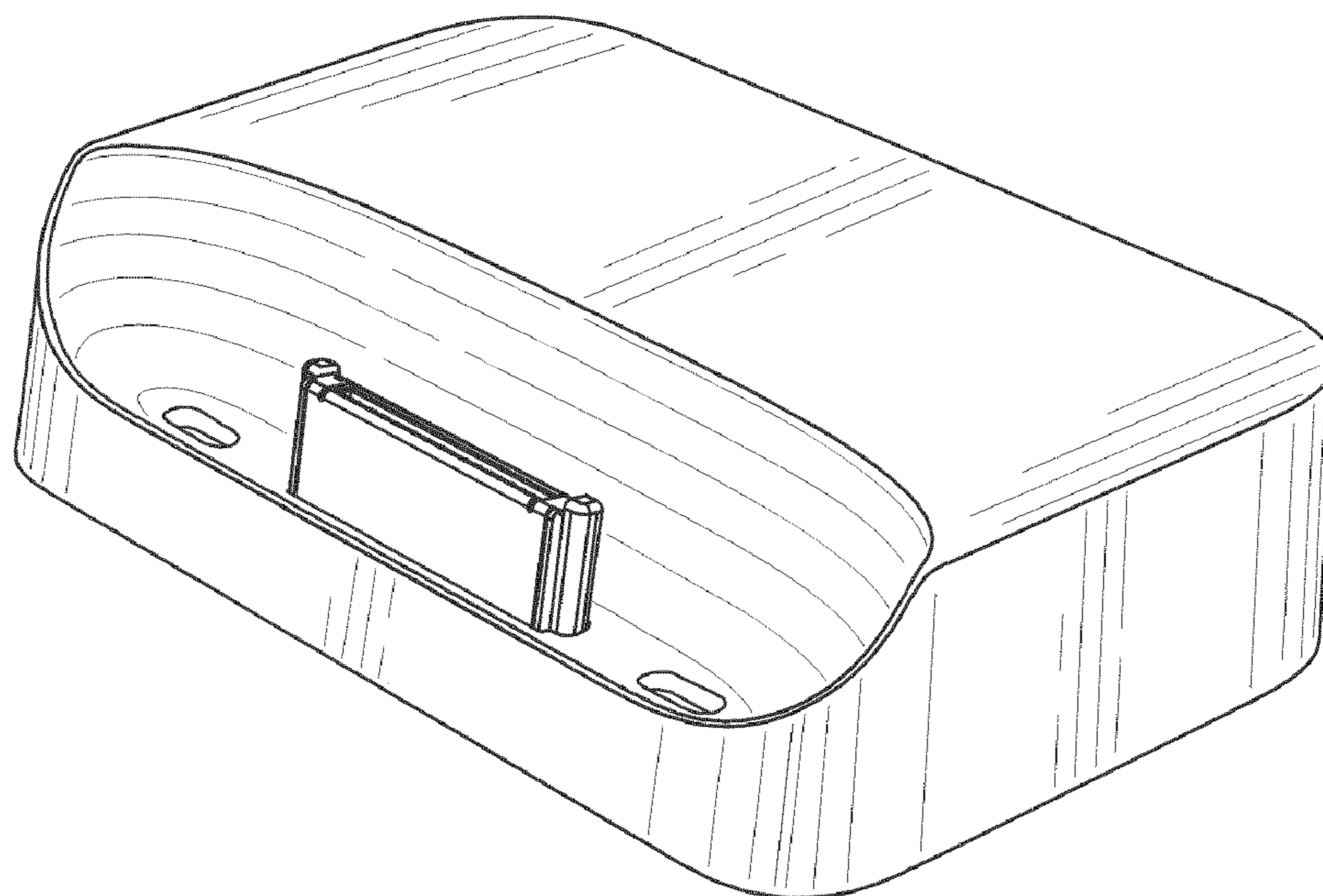


FIG. 1

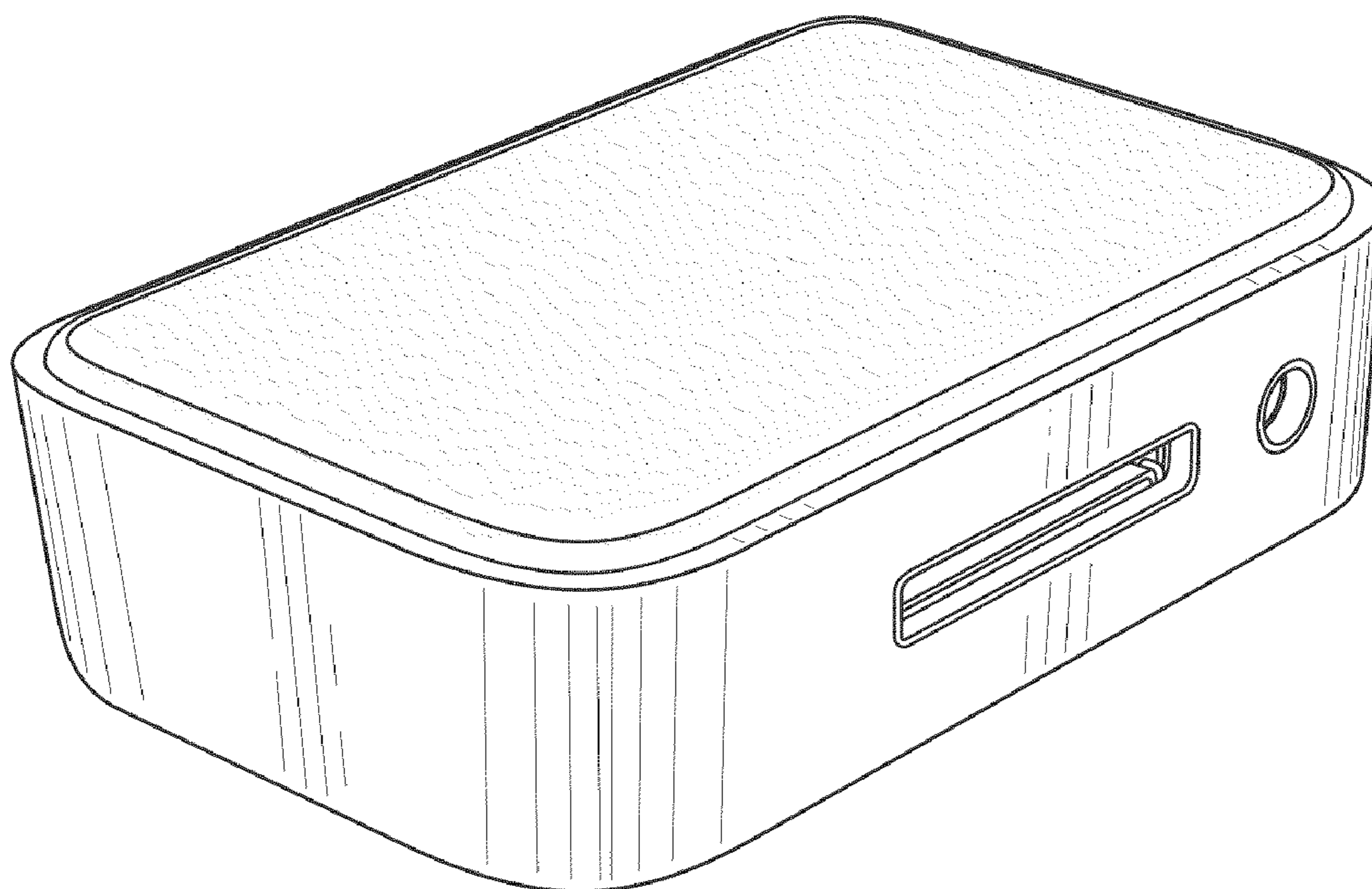


FIG. 2

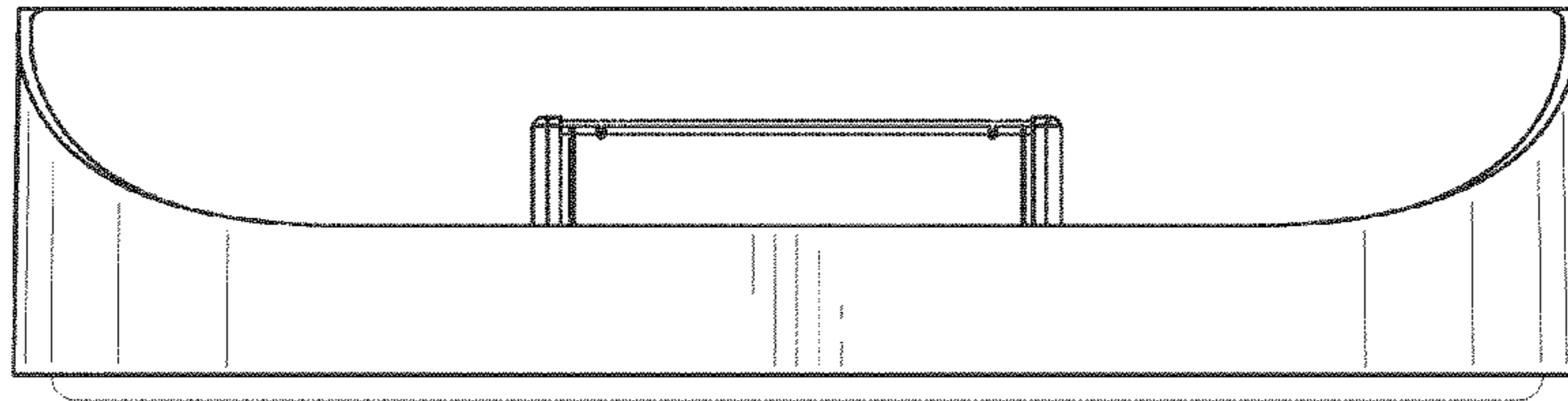


FIG. 3

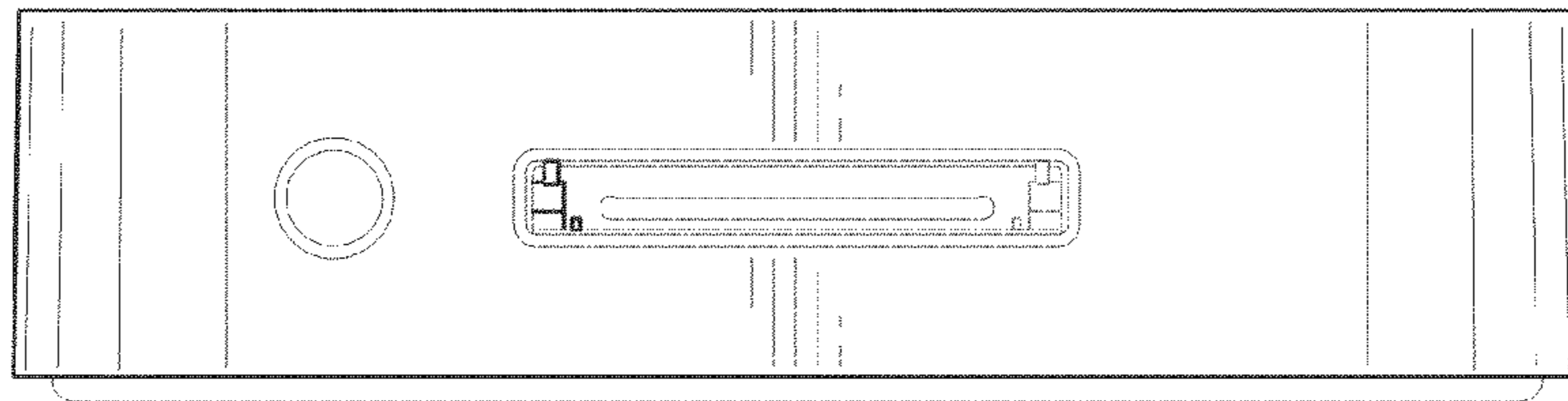


FIG. 4

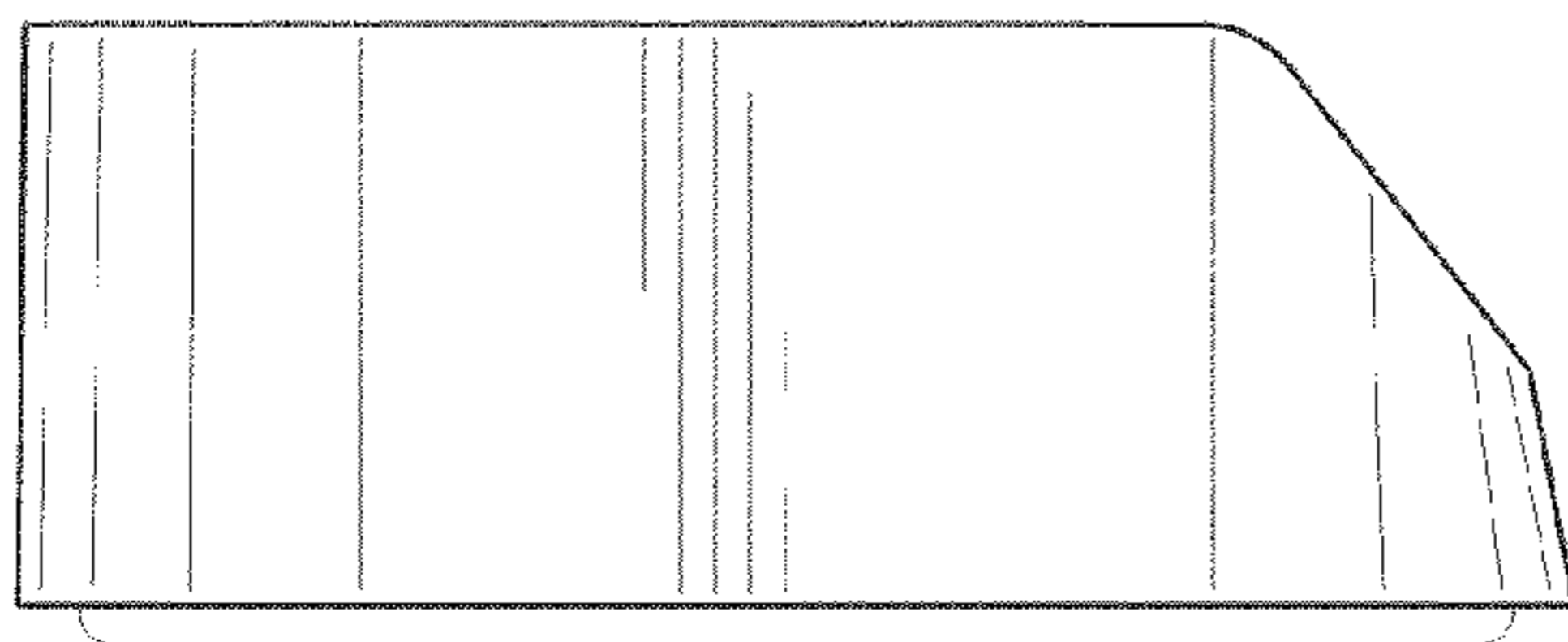


FIG. 5

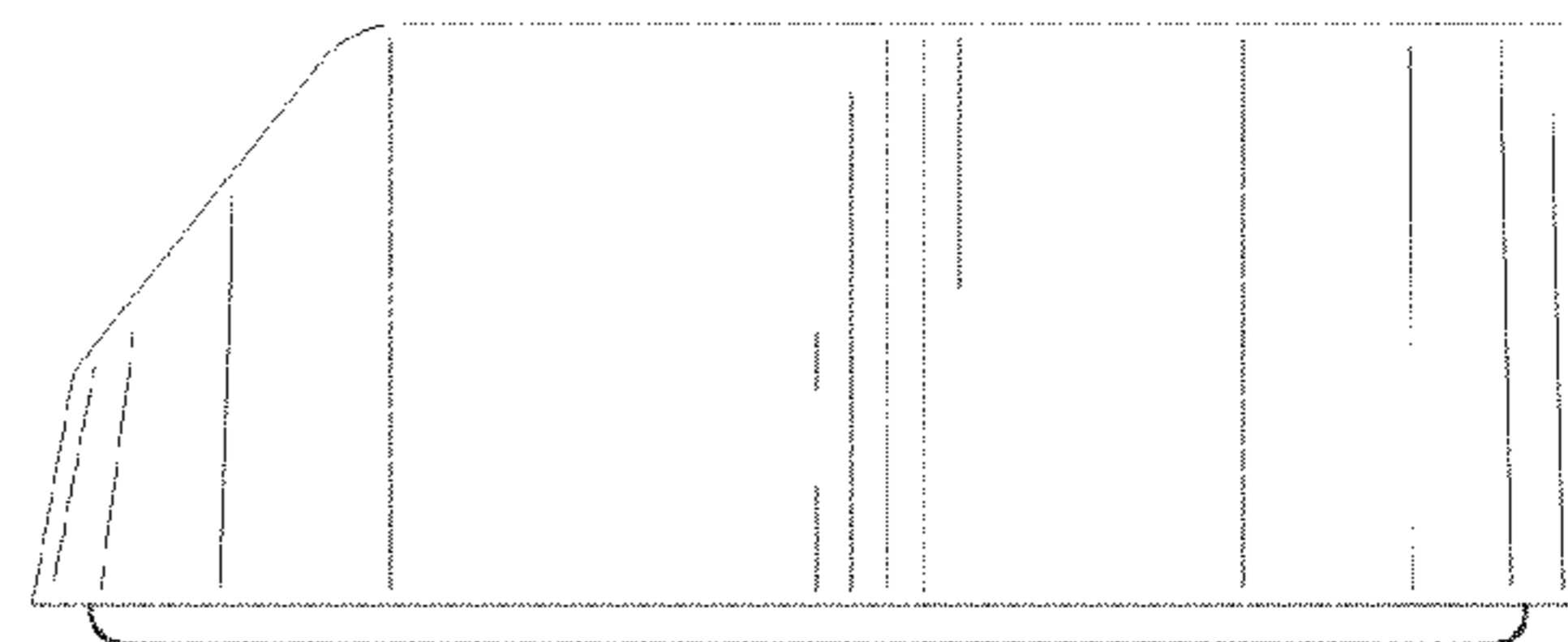


FIG. 6

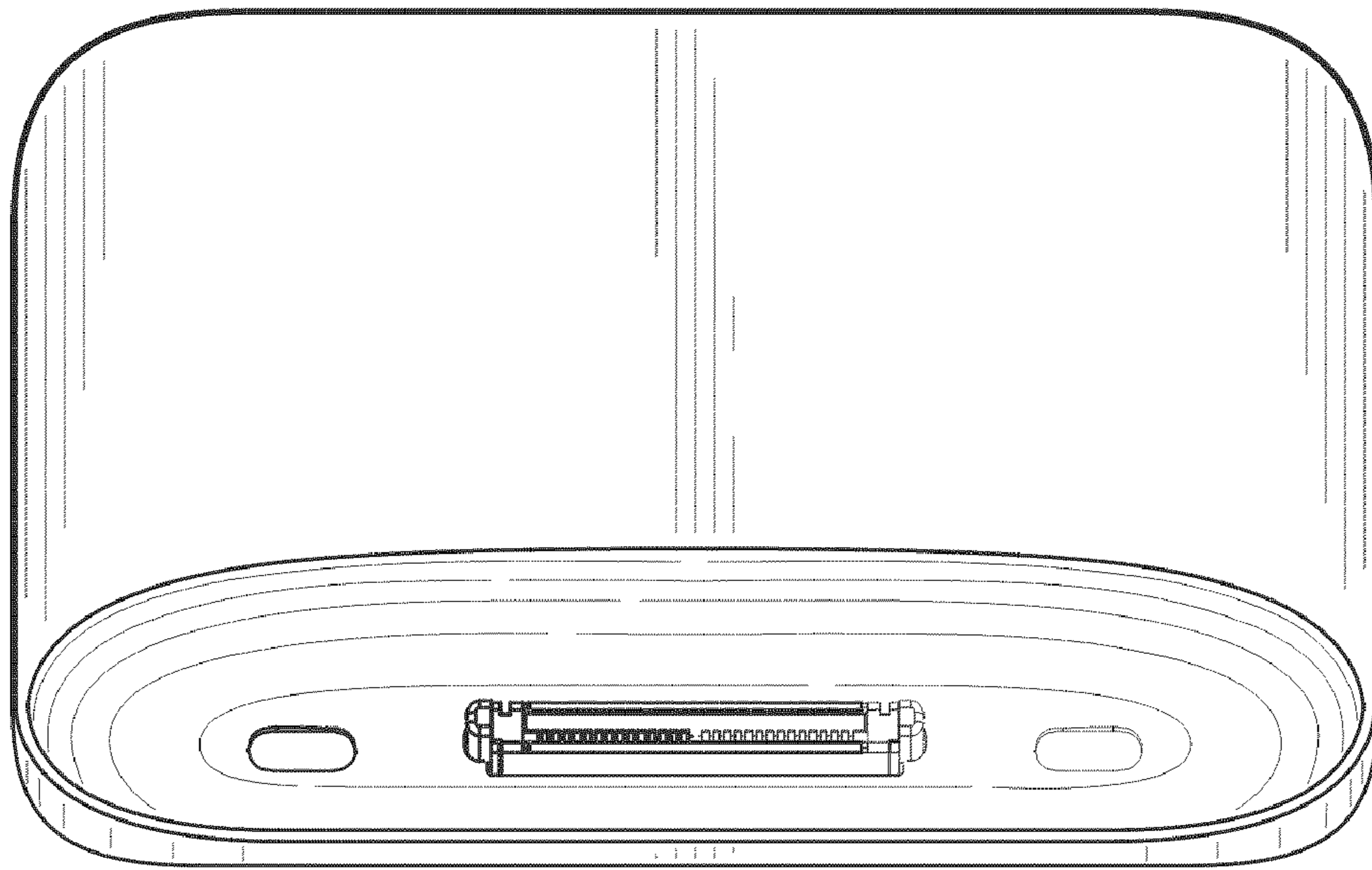


FIG. 7

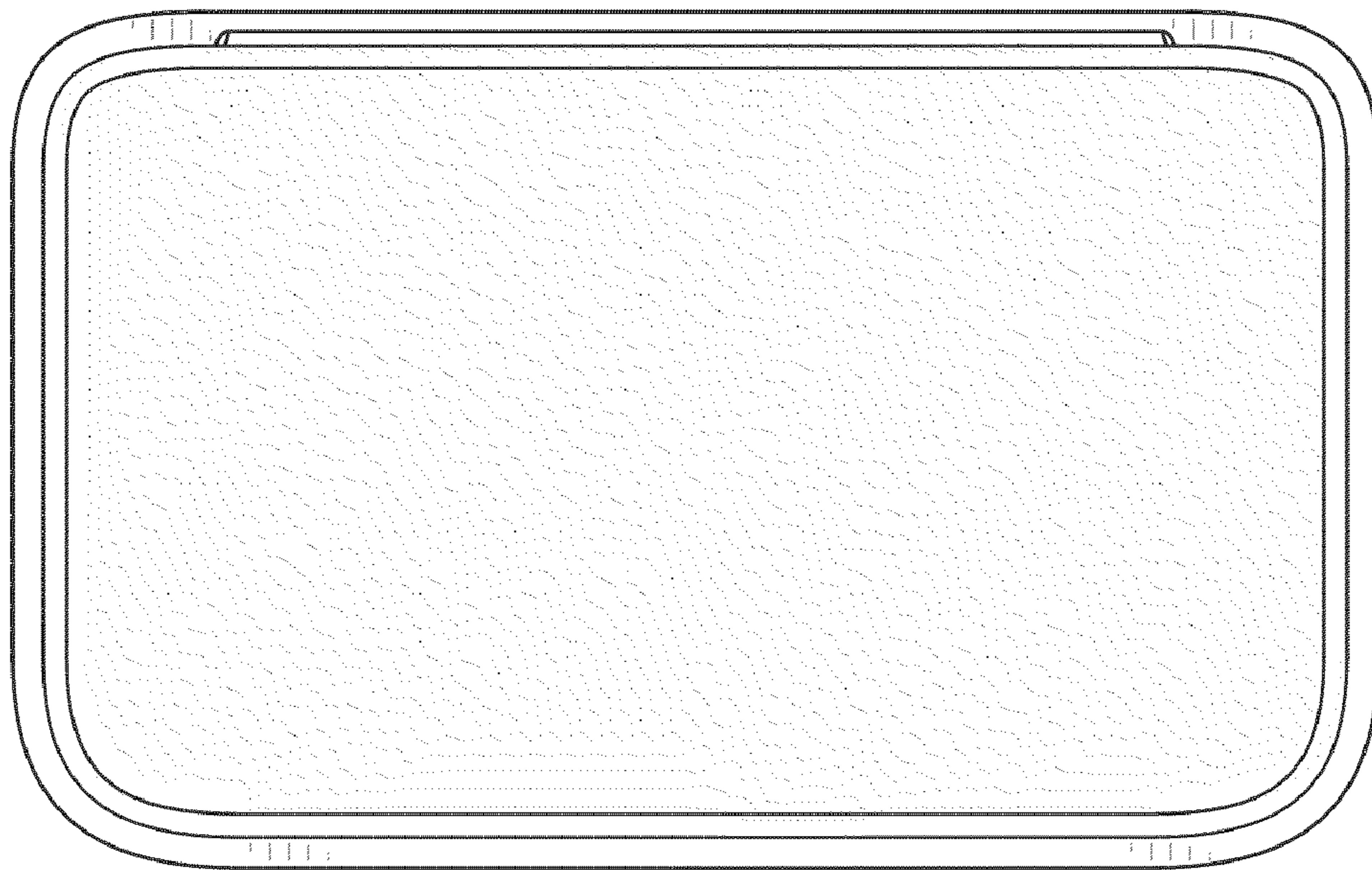


FIG. 8