

US00D597078S

(12) **United States Design Patent**
Zhang

(10) **Patent No.:** **US D597,078 S**
(45) **Date of Patent:** **** Jul. 28, 2009**

(54) **PORTABLE DVD/DIGITAL MEDIA PLAYER**

(75) Inventor: **Yongde Zhang**, Guang Dong (CN)

(73) Assignee: **Coby Electronics Corporation**, Lake Success, NY (US)

(**) Term: **14 Years**

(21) Appl. No.: **29/304,997**

(22) Filed: **Mar. 11, 2008**

D532,402 S	11/2006	Lee
D532,403 S	11/2006	Lee
D532,404 S	11/2006	Lee
D532,768 S	11/2006	Lee
D539,304 S	3/2007	Lee
D540,775 S	4/2007	Zhang
D540,815 S	4/2007	Zhang
D562,346 S	2/2008	Lee

* cited by examiner

Primary Examiner—Nanda Bondade

(74) *Attorney, Agent, or Firm*—Mayer Brown LLP

Related U.S. Application Data

(62) Division of application No. 29/250,600, filed on Nov. 22, 2006, now Pat. No. Des. 567,818.

(51) **LOC (9) Cl.** **14-01**

(52) **U.S. Cl.** **D14/217; D14/224**

(58) **Field of Classification Search** D13/107,
D13/108; D14/217, 224, 168, 496, 434,
D14/146, 251, 253; 379/110.01, 683, 686,
379/379; 381/2, 311, 334; 369/539, 301;
361/683; 320/107–115

See application file for complete search history.

(56) **References Cited**

U.S. PATENT DOCUMENTS

D430,169 S	8/2000	Scibora	
D446,203 S	8/2001	Arpe	
D455,793 S	4/2002	Lin	
D478,887 S	8/2003	Jerome	
D480,376 S *	10/2003	Ma D14/149
6,711,005 B2 *	3/2004	Martin 361/683
D489,322 S *	5/2004	Sawai et al. D13/108
6,825,832 B2	11/2004	Chung et al.	
6,926,130 B2 *	8/2005	Skowronski 320/115
D514,122 S	1/2006	Rodarte	
D523,847 S *	6/2006	Naruki D14/136

(57) **CLAIM**

The ornamental design of a portable DVD/digital media player, as shown and described.

DESCRIPTION

A portion of this patent document contains material which is subject to copyright protection. The copyright owner has no objection to the facsimile reproduction by anyone of the patent document or the patent disclosure, as it appears in the Patent and Trademark Office patent files or records, but otherwise reserves all copyrights whatsoever.

FIG. 1 is a perspective view of a portable DVD/digital media player showing my new design;

FIG. 2 is a front view thereof;

FIG. 3 is a rear view thereof;

FIG. 4 is a left side view thereof;

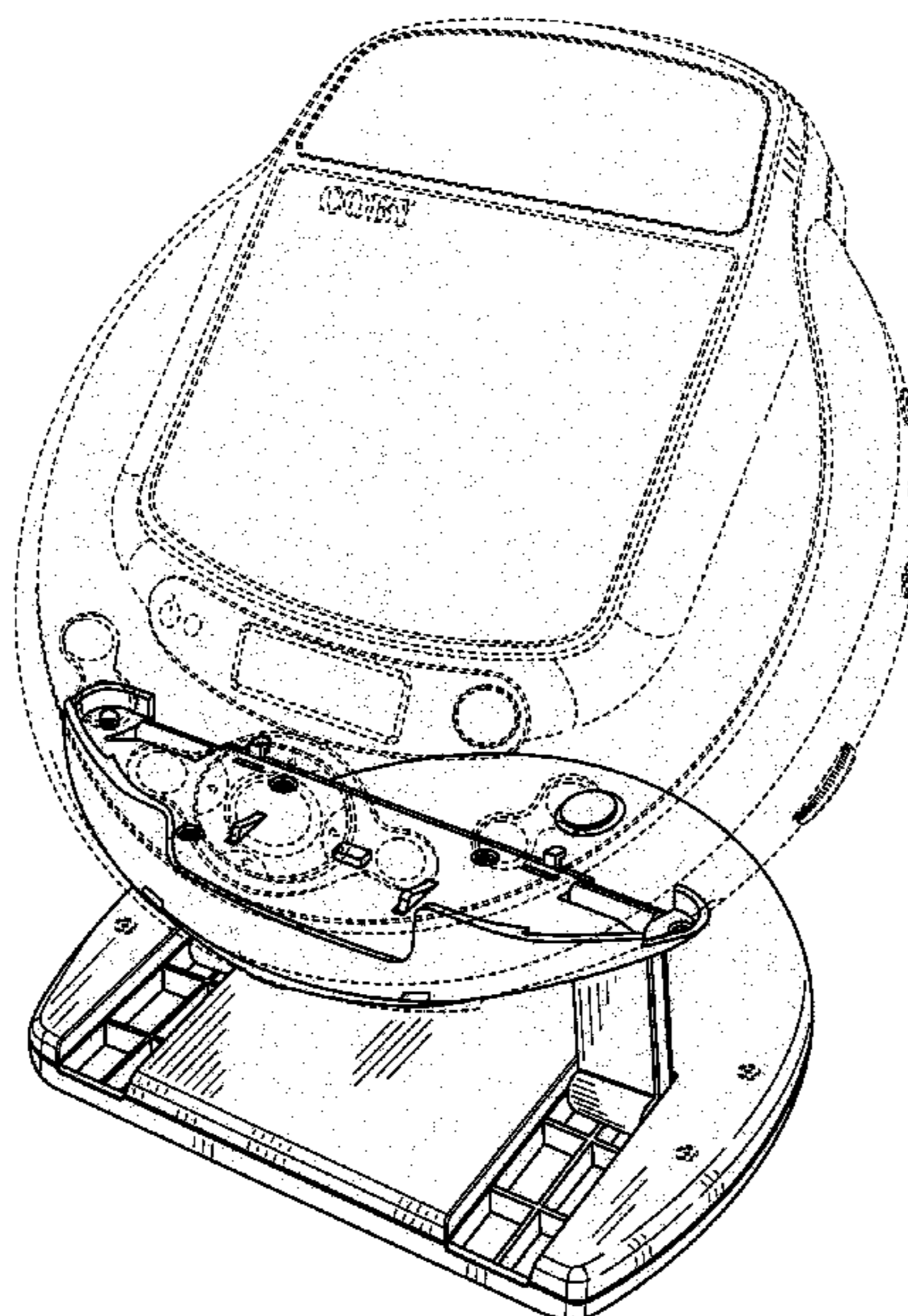
FIG. 5 is a right side view thereof;

FIG. 6 is a top view thereof; and,

FIG. 7 is a bottom view thereof.

The Broken line showings throughout the views are for illustrative purposes only and form no part of the claimed design.

1 Claim, 7 Drawing Sheets



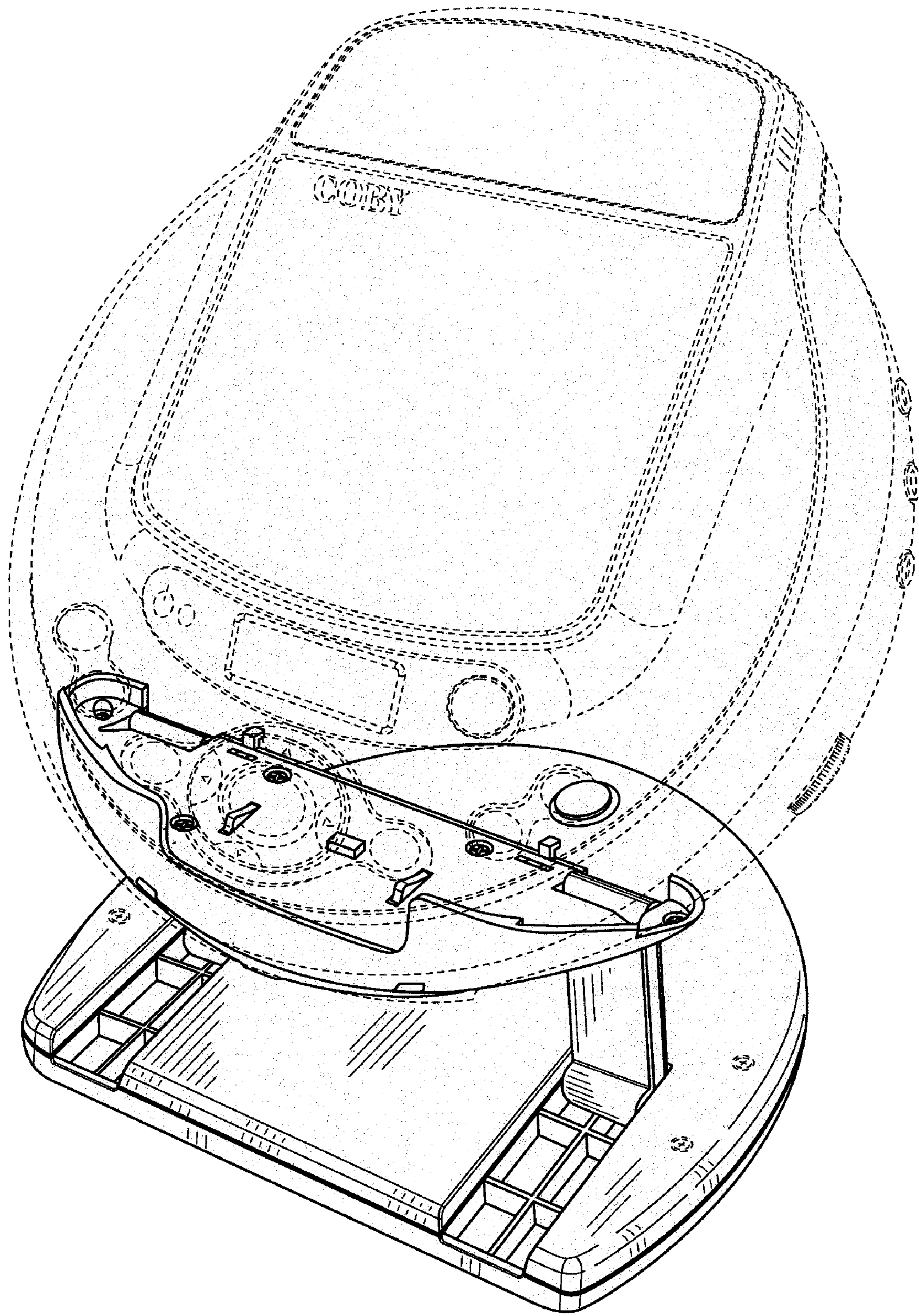


FIG. 1

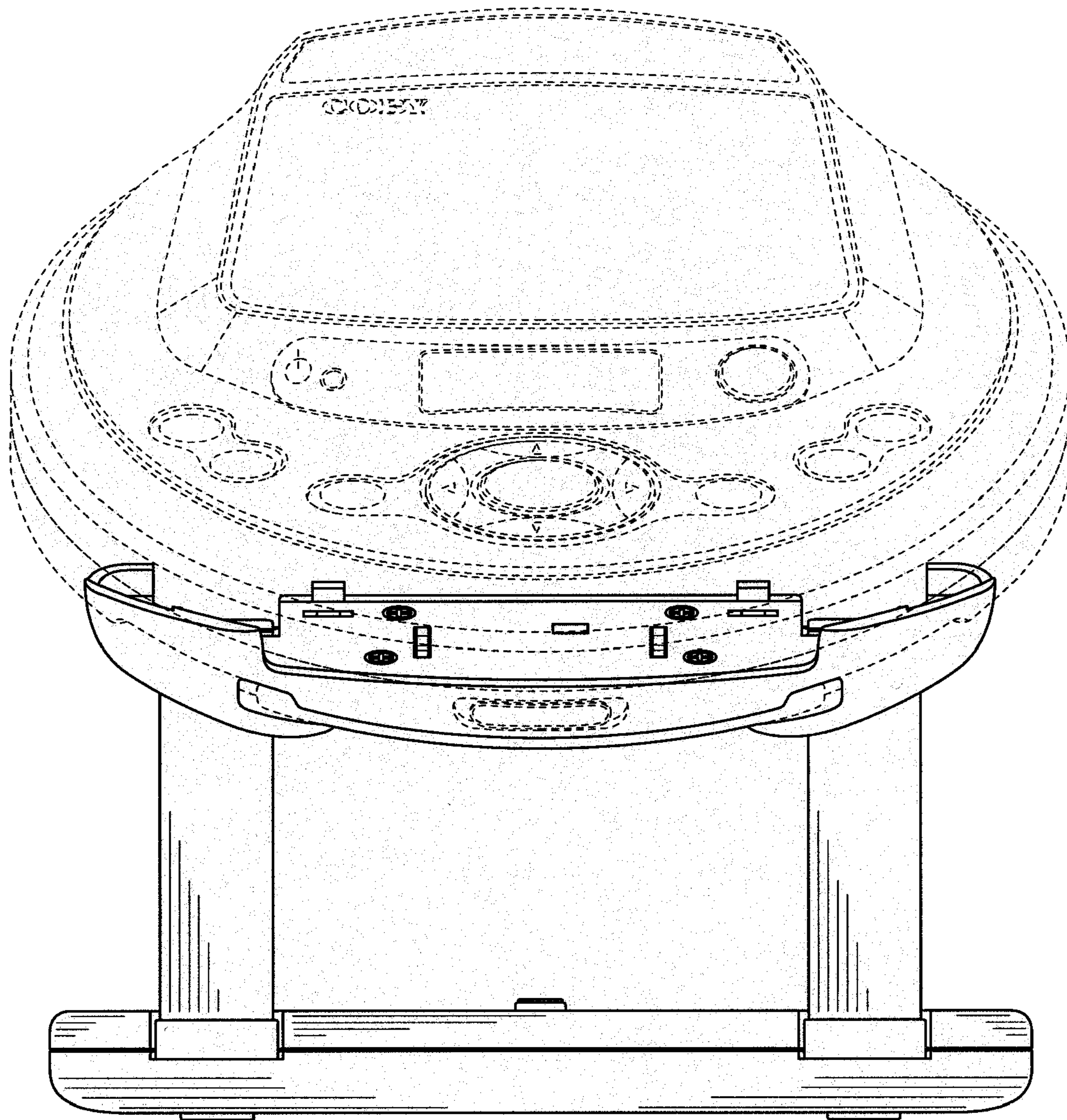


FIG. 2

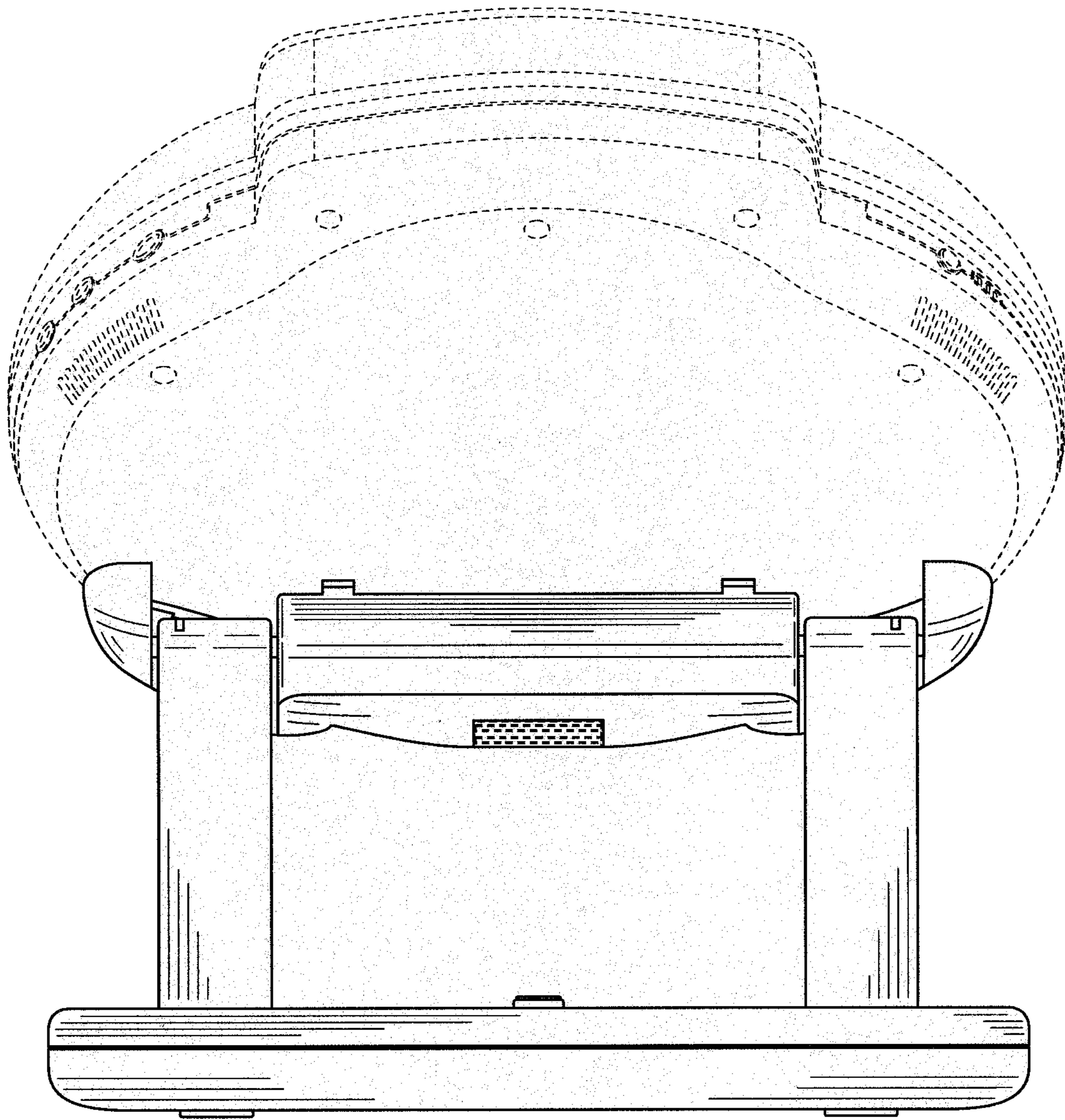


FIG. 3

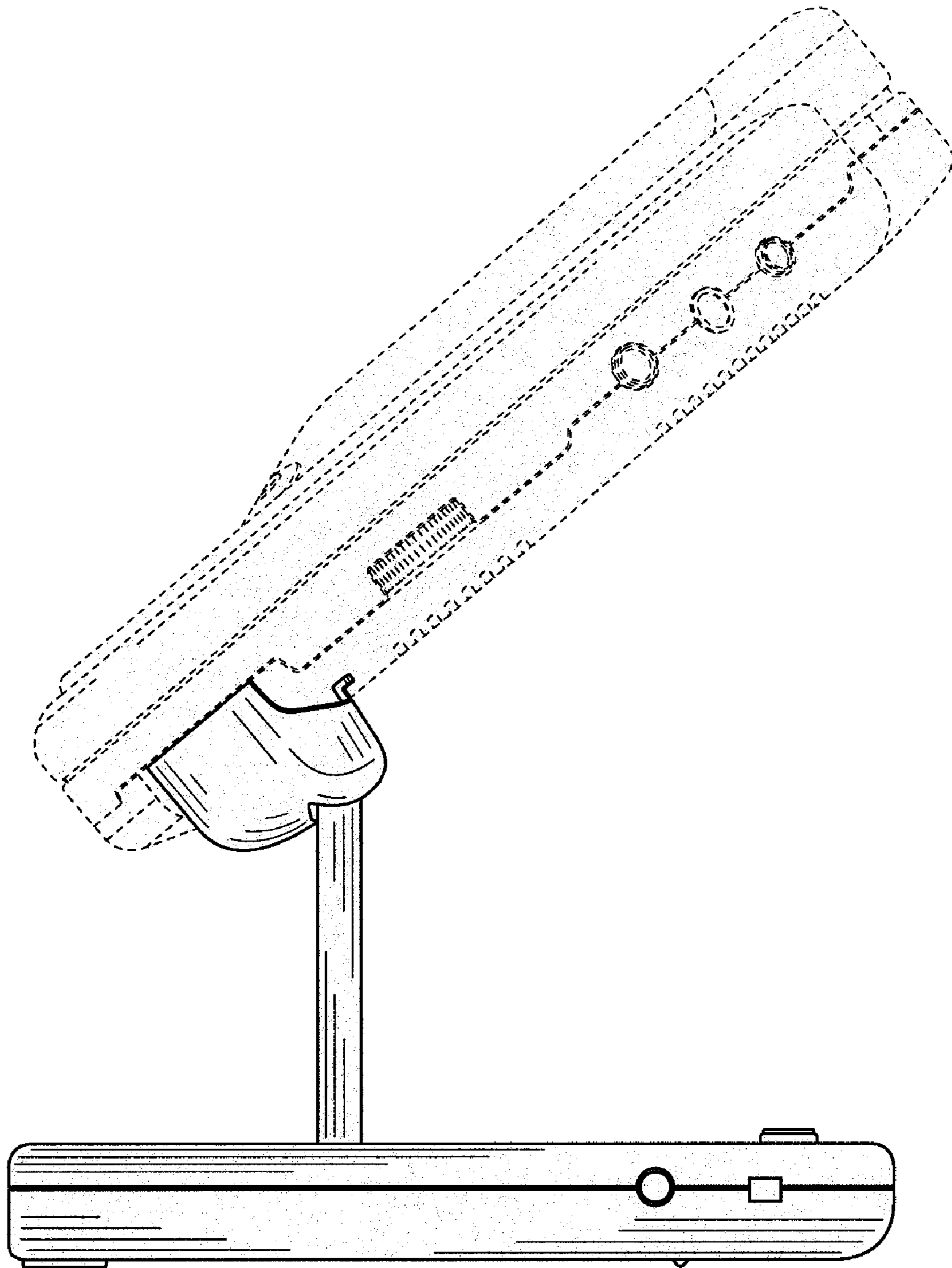


FIG. 4

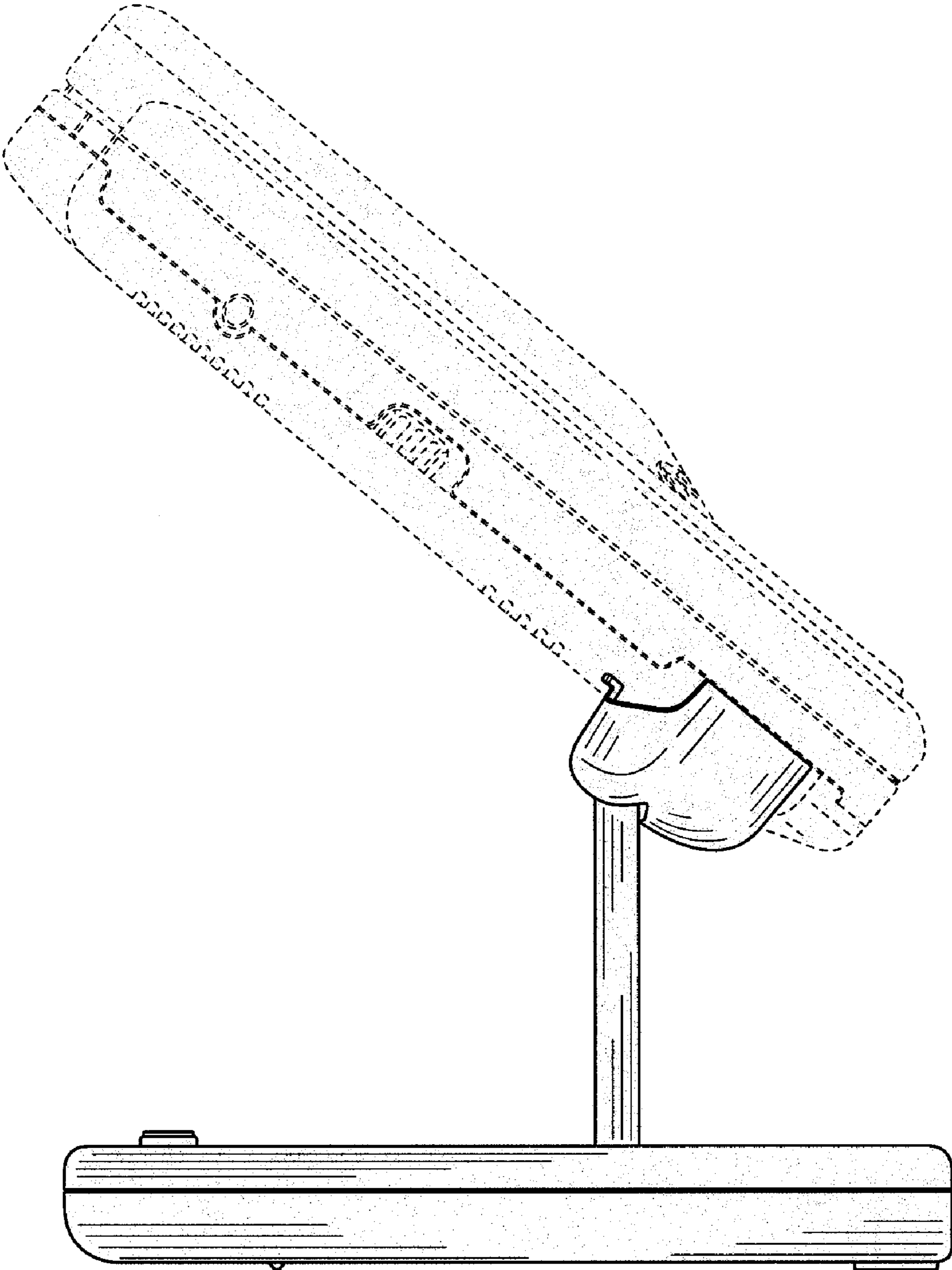


FIG. 5

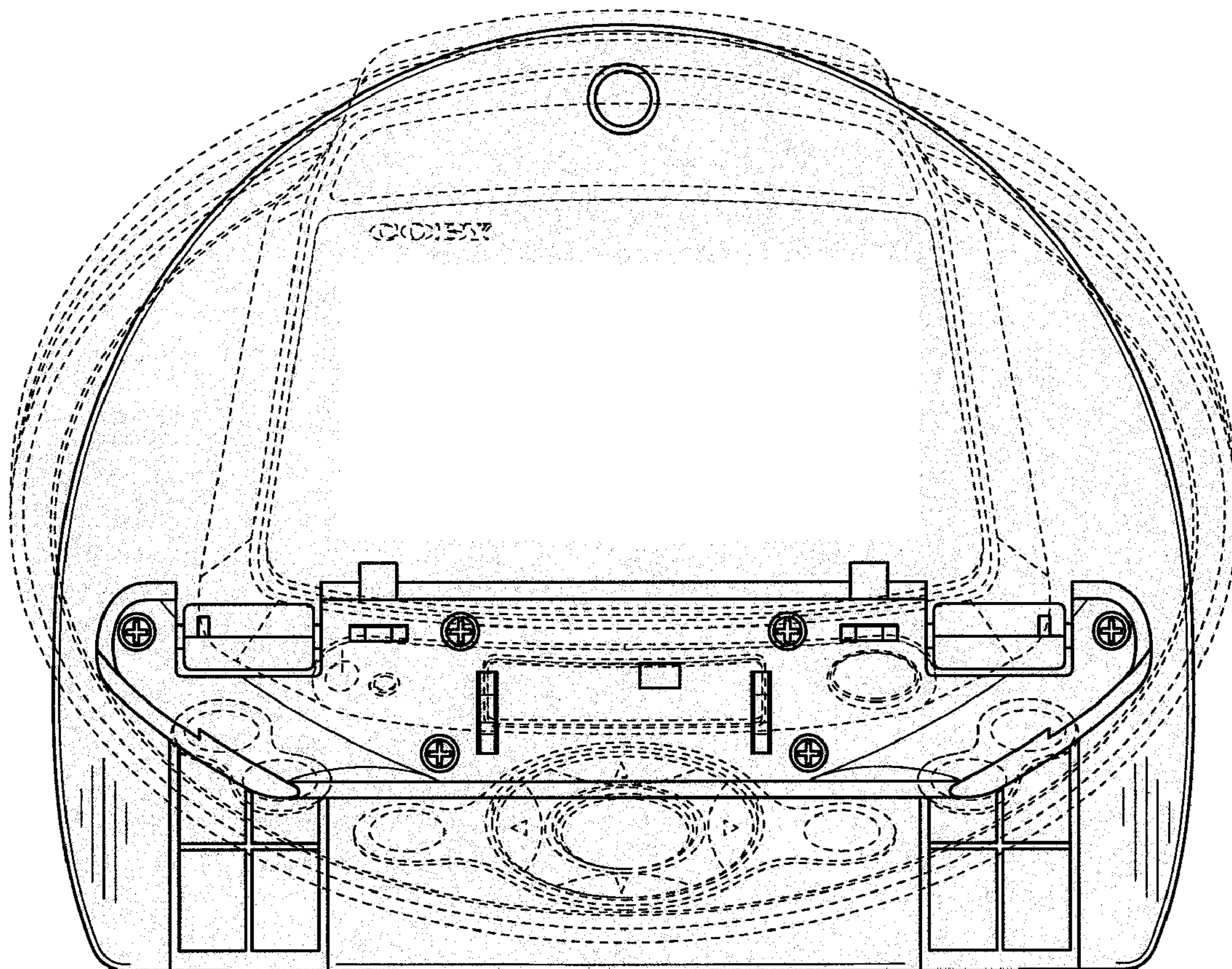


FIG. 6

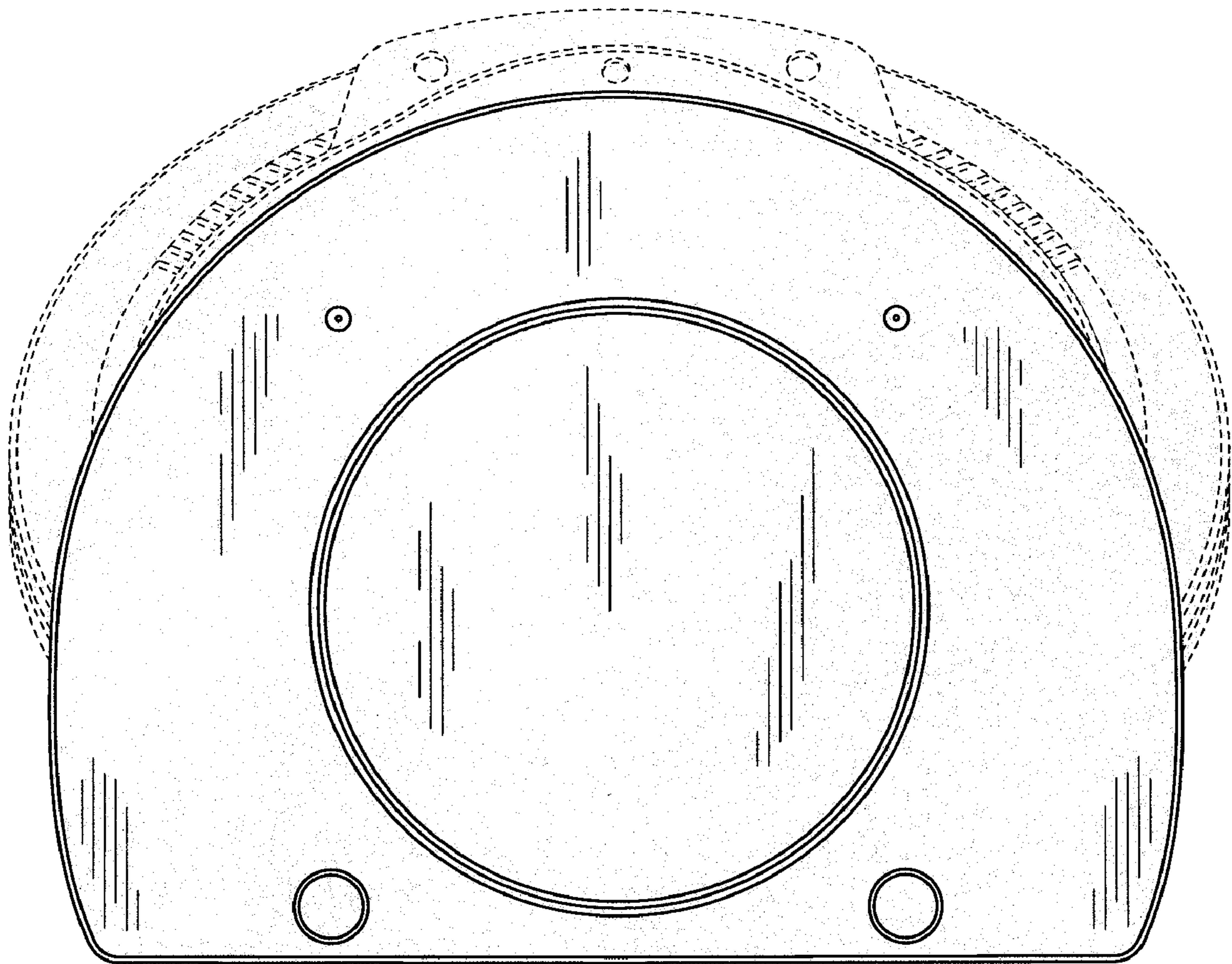


FIG. 7