

US00D597077S

(12) **United States Design Patent**
Brandenburg

(10) **Patent No.:** **US D597,077 S**
(45) **Date of Patent:** **** Jul. 28, 2009**

(54) **TRAVEL DOCK FOR A MEDIA DEVICE**

D577,008 S * 9/2008 Andre et al. D14/217

(75) Inventor: **Kyle Brandenburg**, Philadelphia, PA (US)

(73) Assignee: **Marware Inc.**, Hollywood, FL (US)

(**) Term: **14 Years**

(21) Appl. No.: **29/298,363**

(22) Filed: **Dec. 4, 2007**

(51) **LOC (9) Cl.** **14-03**

(52) **U.S. Cl.** **D14/217; D14/435.1; D14/356**

(58) **Field of Classification Search** D14/142, D14/149, 217, 215, 253, 432, 434, 435, 447, D14/496; D13/107, 108, 118; D3/215, 218, D3/318, 328; 248/221.11, 309.1, 175; 320/107, 320/110, 113-115; 361/600, 679, 683, 686; 439/529, 534; 455/556.1, 556.2, 557
See application file for complete search history.

(56) **References Cited**

U.S. PATENT DOCUMENTS

- D449,615 S * 10/2001 Lloyd D14/433
- D511,519 S * 11/2005 Bone et al. D14/432
- D534,896 S * 1/2007 Lin D14/188
- D541,796 S * 5/2007 Chen D14/480.7
- D546,328 S * 7/2007 Kobayakawa D14/480.7
- D550,196 S * 9/2007 Griffin et al. D14/155
- D558,783 S * 1/2008 Andre et al. D14/496
- D567,800 S * 4/2008 Andre et al. D14/217
- D569,389 S * 5/2008 Andre et al. D14/496
- D570,830 S * 6/2008 Sukeguchi et al. D14/217
- D574,365 S * 8/2008 Andre et al. D14/217

OTHER PUBLICATIONS

“USB Travel Dock for iPod Shuffle” by Darrin Olson from SlipperyBrick.com [online], dated Dec. 16, 2006 [retrieved on Dec. 4, 2008]. Retrieved from Internet, <<http://www.slipperybrick.com/2006/12/usb-travel-dock-for-ipod-shuffle/>>, 1pg.*

* cited by examiner

Primary Examiner—Stella M Reid

Assistant Examiner—Keli L Hill

(74) *Attorney, Agent, or Firm*—Laurence A. Greenberg; Werner H. Stemer; Ralph E. Locher

(57) **CLAIM**

The ornamental design for the travel dock for a media device, as shown and described.

DESCRIPTION

FIG. 1 is a side elevation of the travel dock according to the invention;

FIG. 2 is a top plan view thereof;

FIG. 3 is a bottom plan view thereof;

FIG. 4 is a rear view thereof;

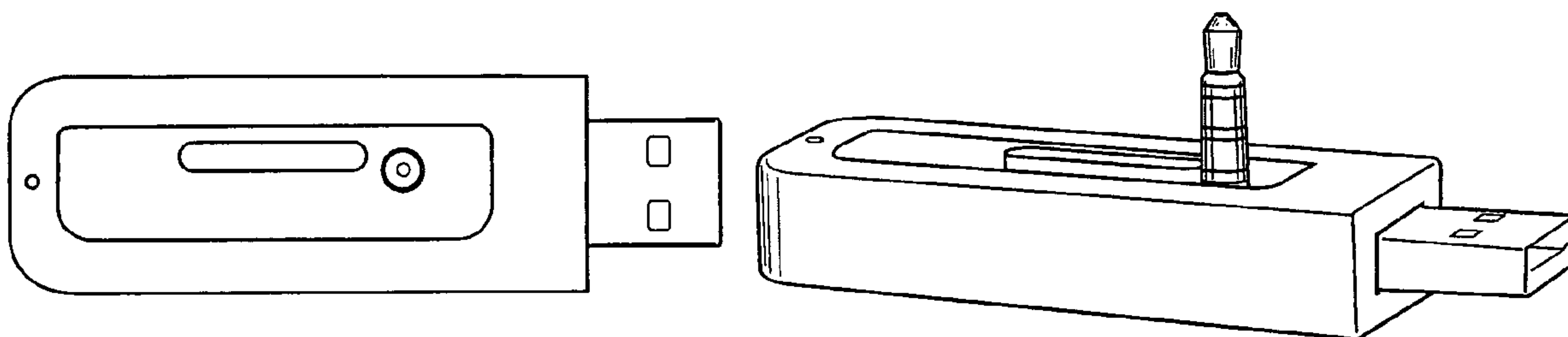
FIG. 5 is a front view thereof;

FIG. 6 is a front, top perspective view of the dock;

FIG. 7 is a front, top perspective view of the dock, with a media device illustrated in dashed lines; and,

FIG. 8 illustrates the media device on the novel travel dock, with the latter plugged into a USB port on the side of a laptop computer.

1 Claim, 2 Drawing Sheets



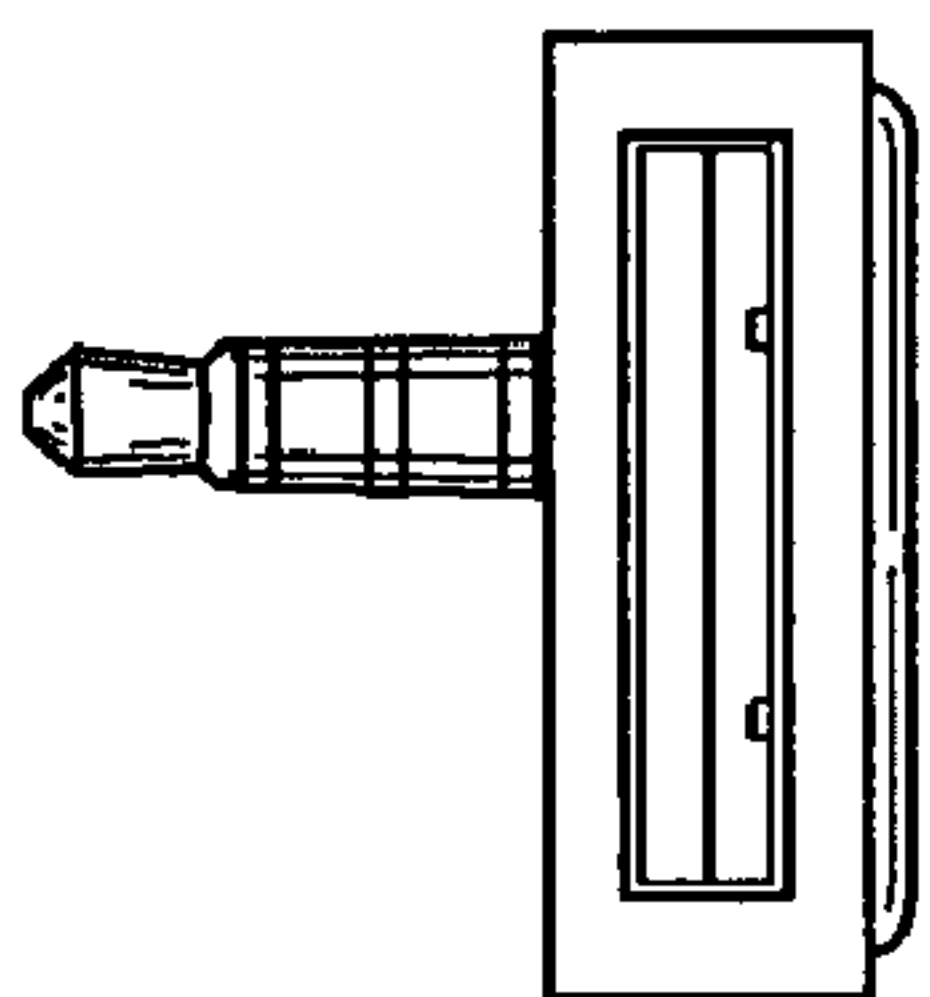


Fig 5

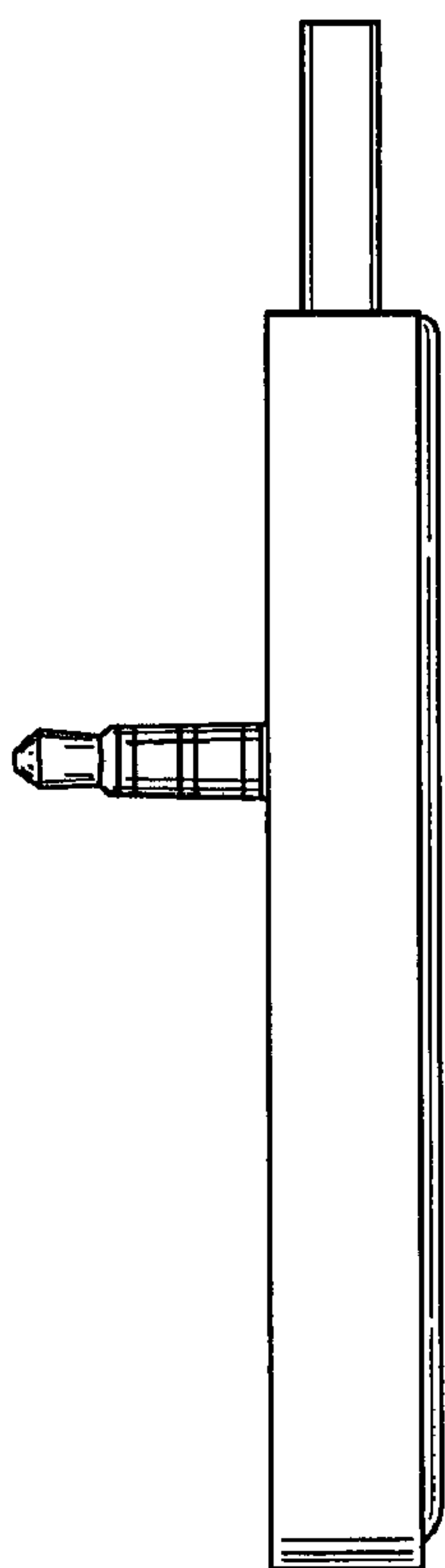


Fig 1

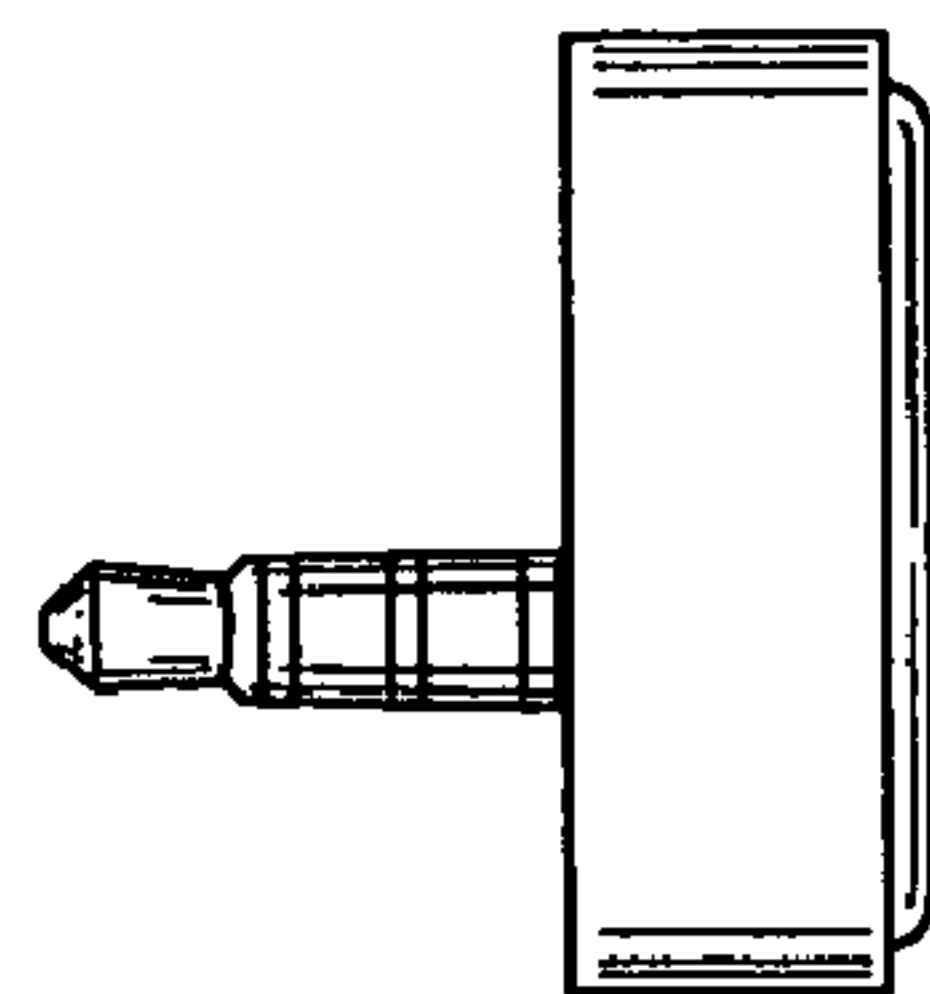


Fig 4

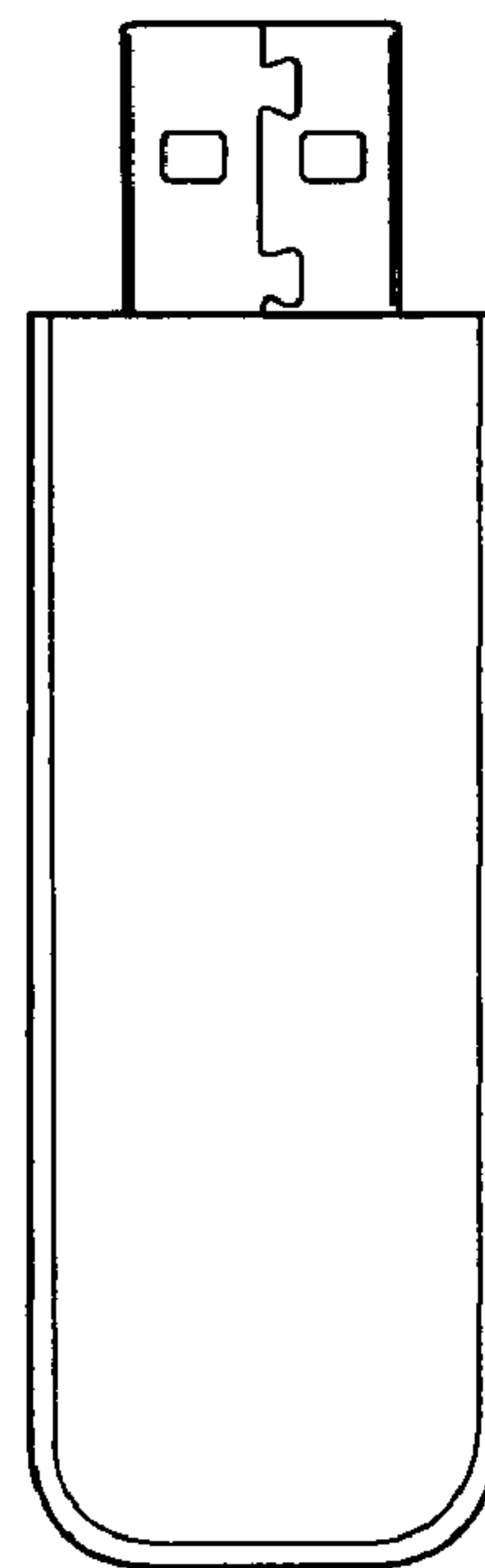


Fig 3

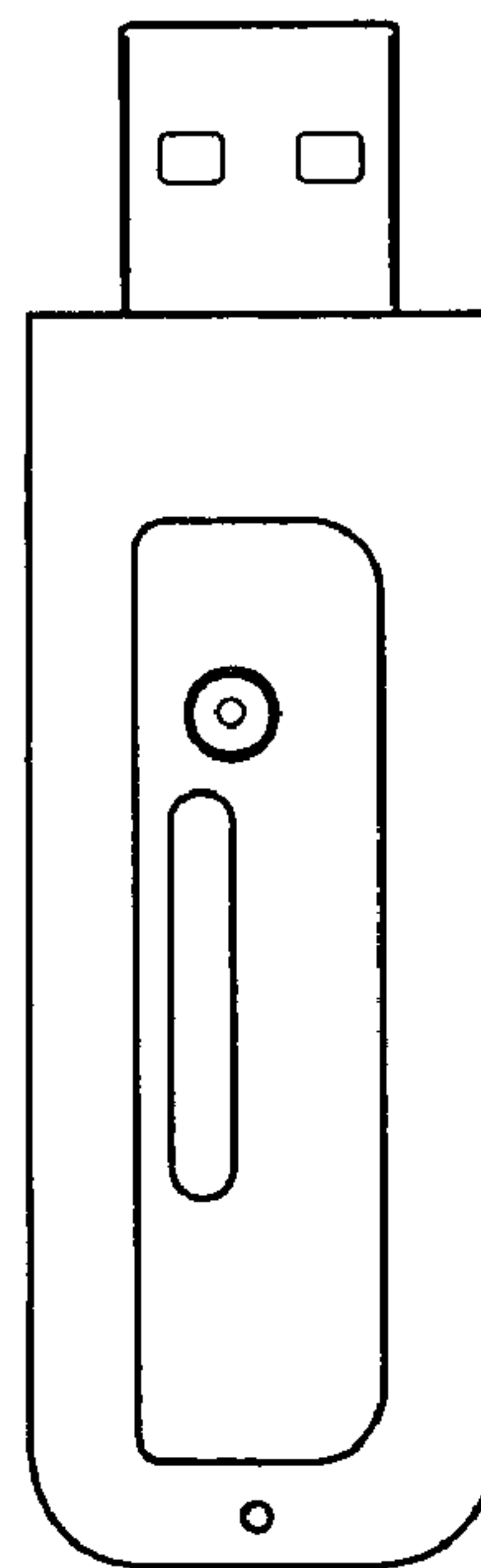


Fig 2

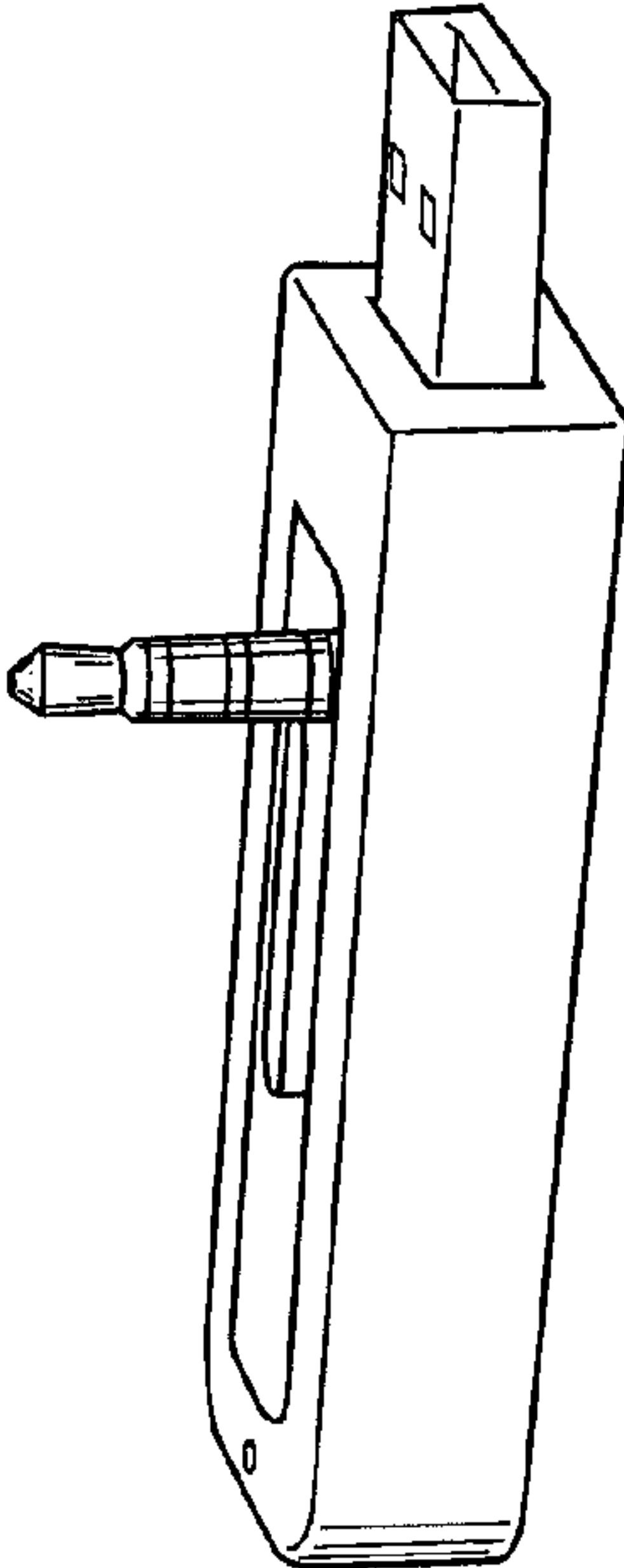


Fig 6

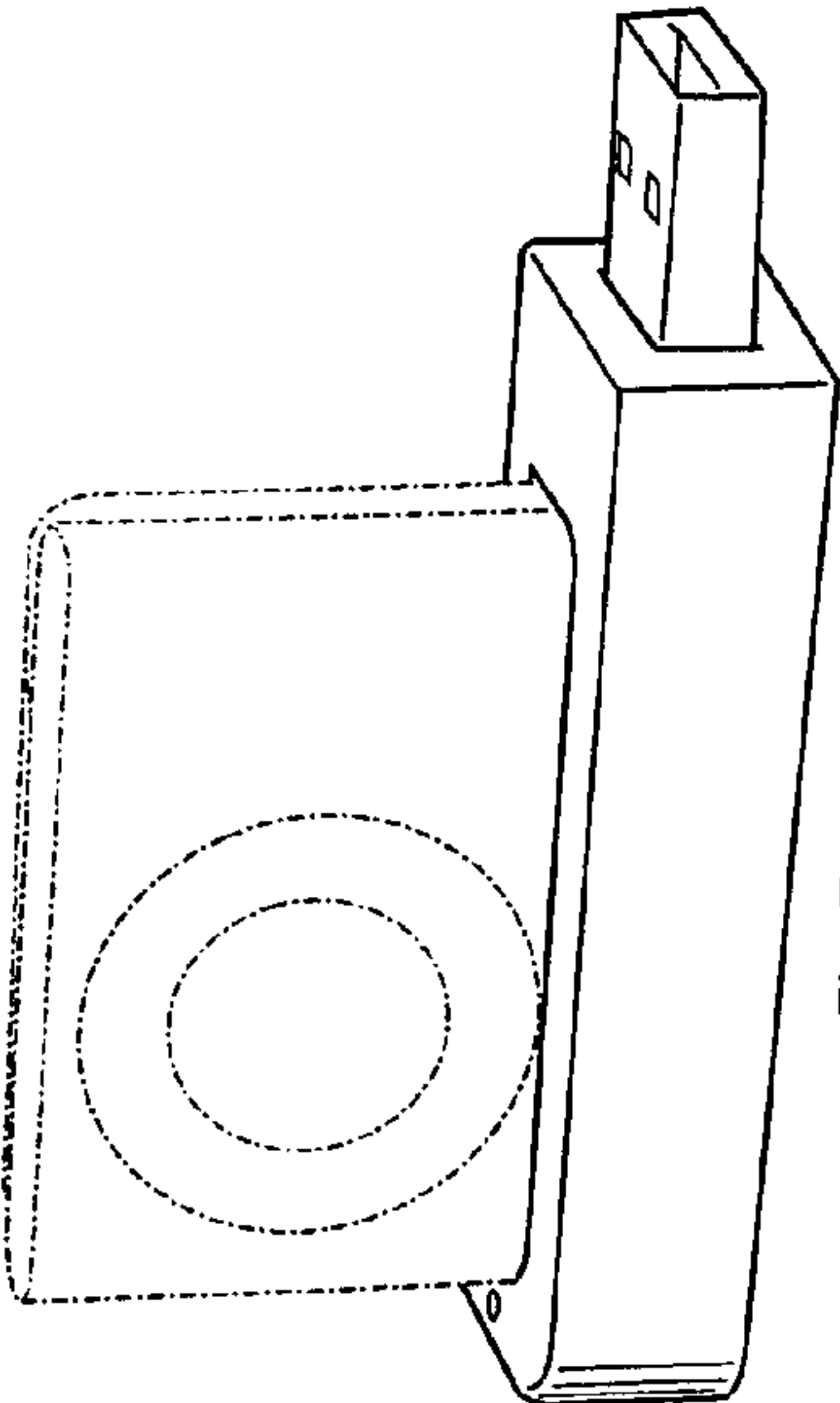


Fig 7

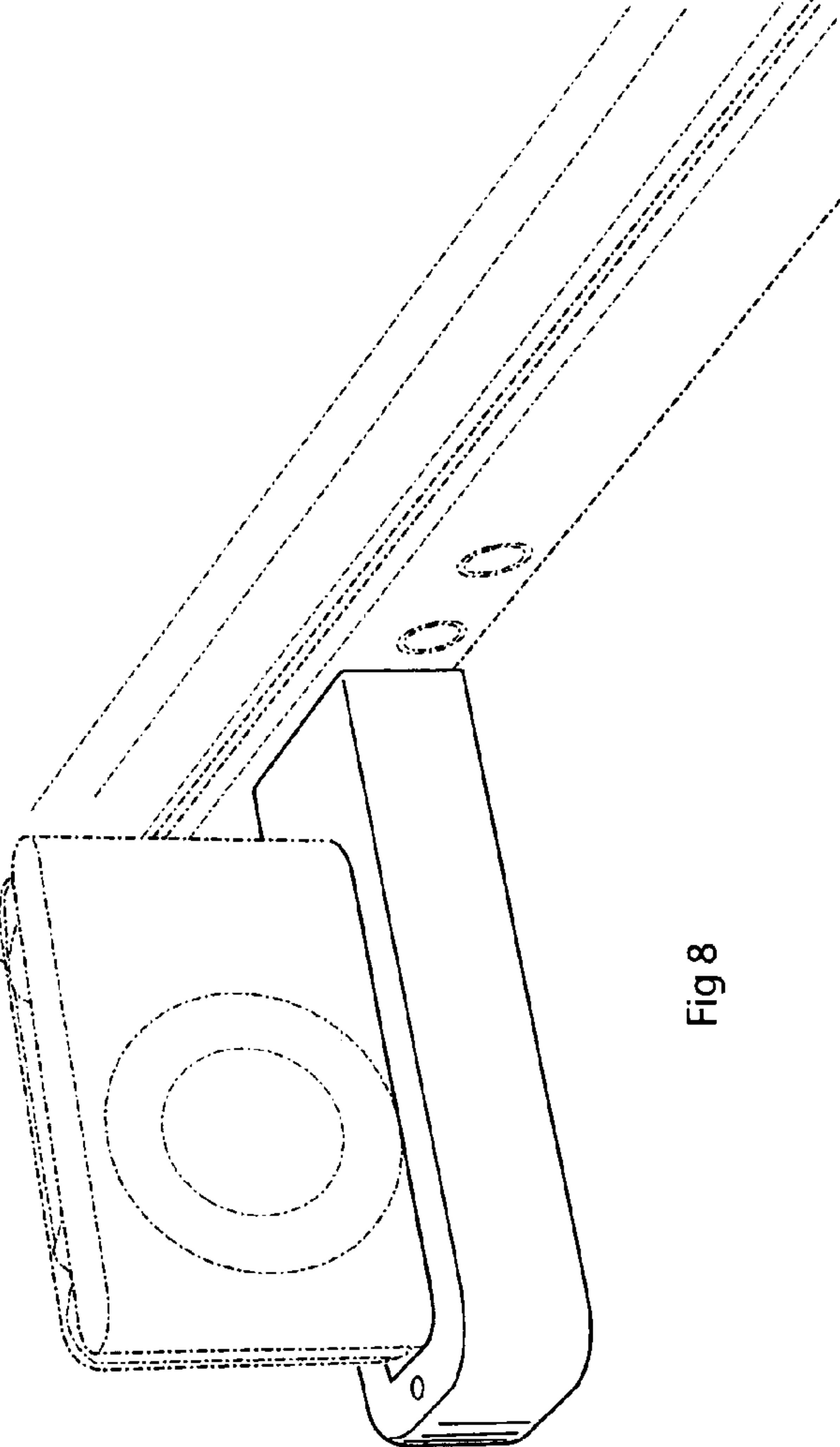


Fig 8