



US00D597075S

(12) **United States Design Patent**  
**Irii et al.**

(10) **Patent No.:** **US D597,075 S**  
(45) **Date of Patent:** **\*\* Jul. 28, 2009**

(54) **SPEAKER**

(75) Inventors: **Koichi Irii**, Machida (JP); **Masahiko Igarashi**, Machida (JP)

(73) Assignee: **Kabushiki Kaisha Audio-Technica**, Machida-Shi, Tokyo (JP)

(\*\*) Term: **14 Years**

(21) Appl. No.: **29/309,283**

(22) Filed: **Jul. 18, 2008**

(30) **Foreign Application Priority Data**

Feb. 29, 2008 (JP) ..... 2008-004732

(51) **LOC (9) Cl.** ..... **14-01**

(52) **U.S. Cl.** ..... **D14/214**

(58) **Field of Classification Search** ..... D14/204,  
D14/210–216, 172, 168, 197–198; 181/143–144,  
181/147–148, 150–153, 157, 198–199; 381/300–303,  
381/306, 332–333, 336, 345, 361–364, 386–388  
See application file for complete search history.

(56) **References Cited**

**U.S. PATENT DOCUMENTS**

5,519,572 A \* 5/1996 Luo ..... 381/332

D384,069 S \* 9/1997 Kokkinis ..... D14/171  
D491,937 S \* 6/2004 Retourne et al. .... D14/356  
D532,773 S \* 11/2006 Langberg et al. .... D14/209.1  
D538,787 S \* 3/2007 Tsai ..... D14/209.1

\* cited by examiner

*Primary Examiner*—Nanda Bondade

(74) *Attorney, Agent, or Firm*—Manabu Kanesaka

(57) **CLAIM**

The ornamental design for a speaker, as shown and described.

**DESCRIPTION**

FIG. 1 is a front perspective view of a speaker showing our new design;

FIG. 2 is a rear perspective view showing a stand in use thereof;

FIG. 3 is a front view of FIG. 1;

FIG. 4 is a rear view thereof;

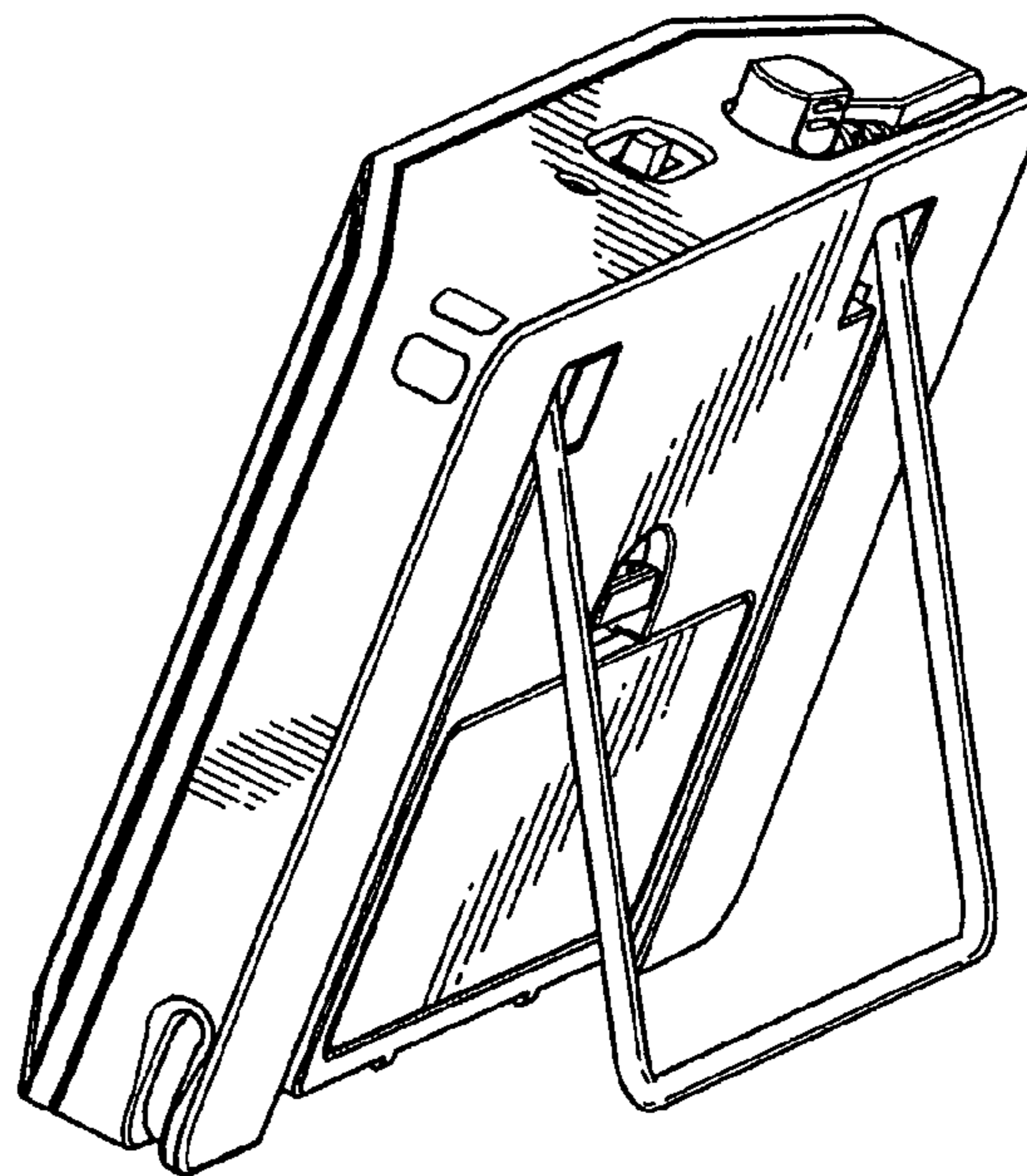
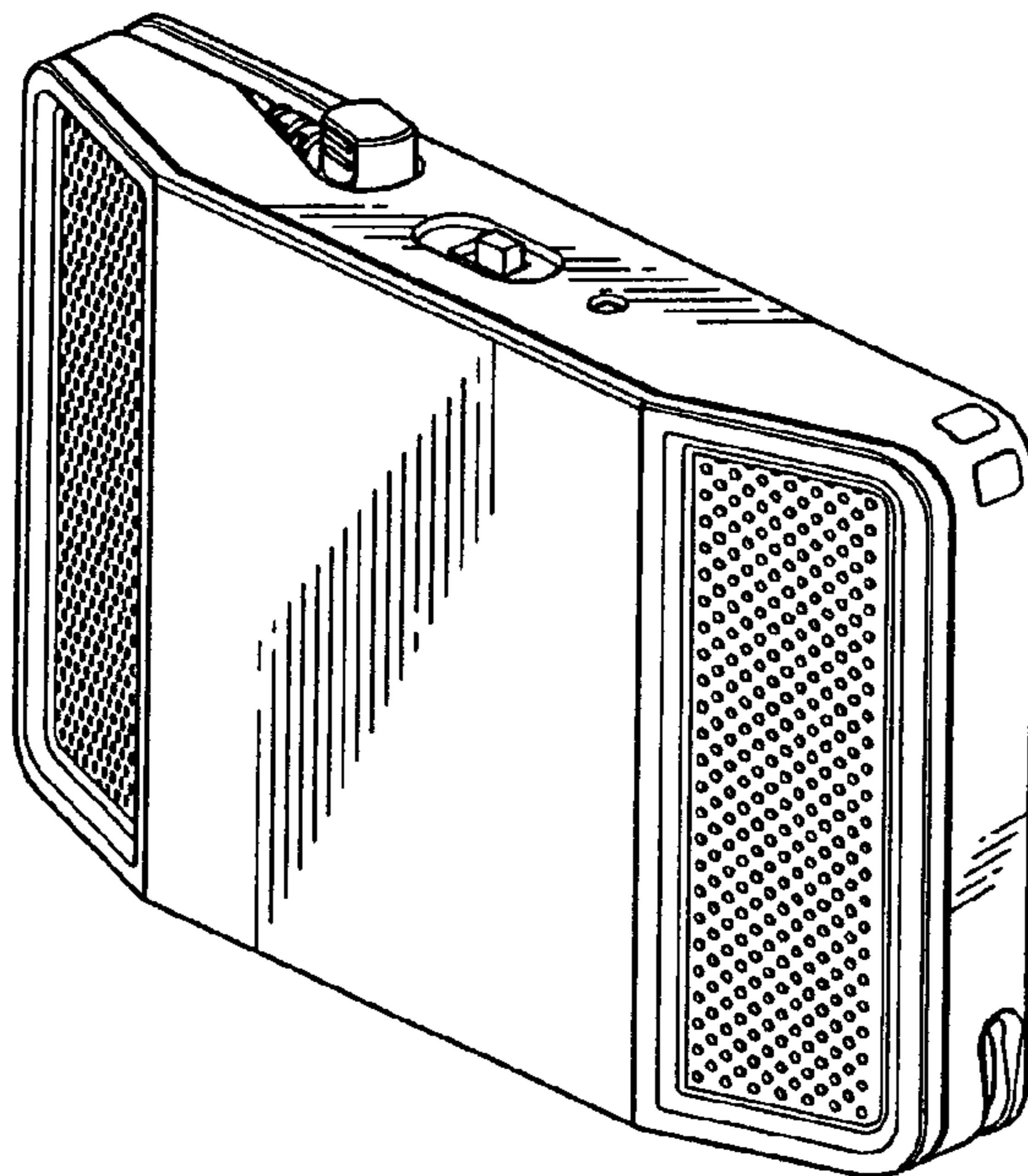
FIG. 5 is a top plan view thereof;

FIG. 6 is a bottom view thereof;

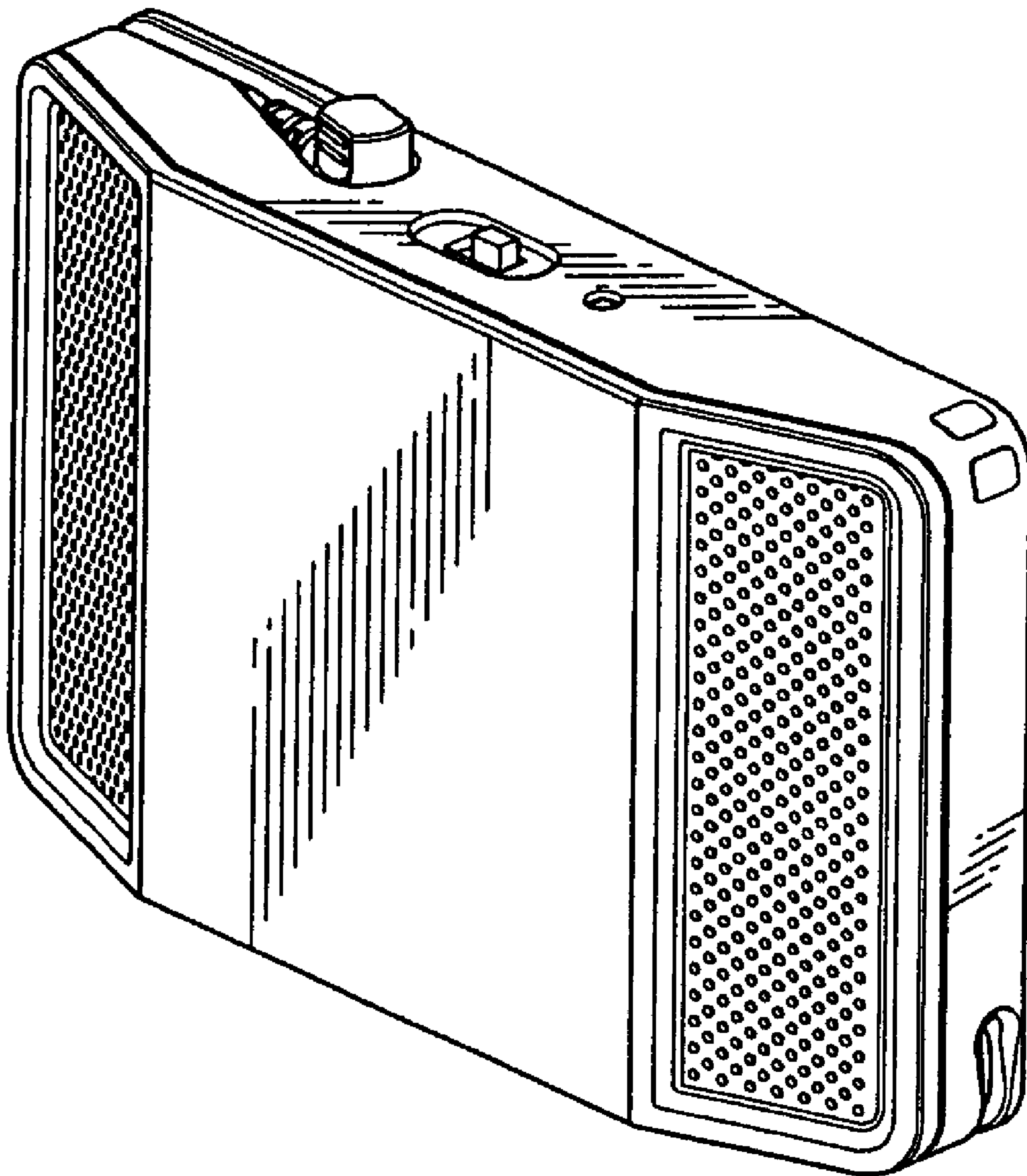
FIG. 7 is a right side view thereof; and,

FIG. 8 is a left side view thereof.

**1 Claim, 8 Drawing Sheets**



**FIG. 1**



**FIG. 2**

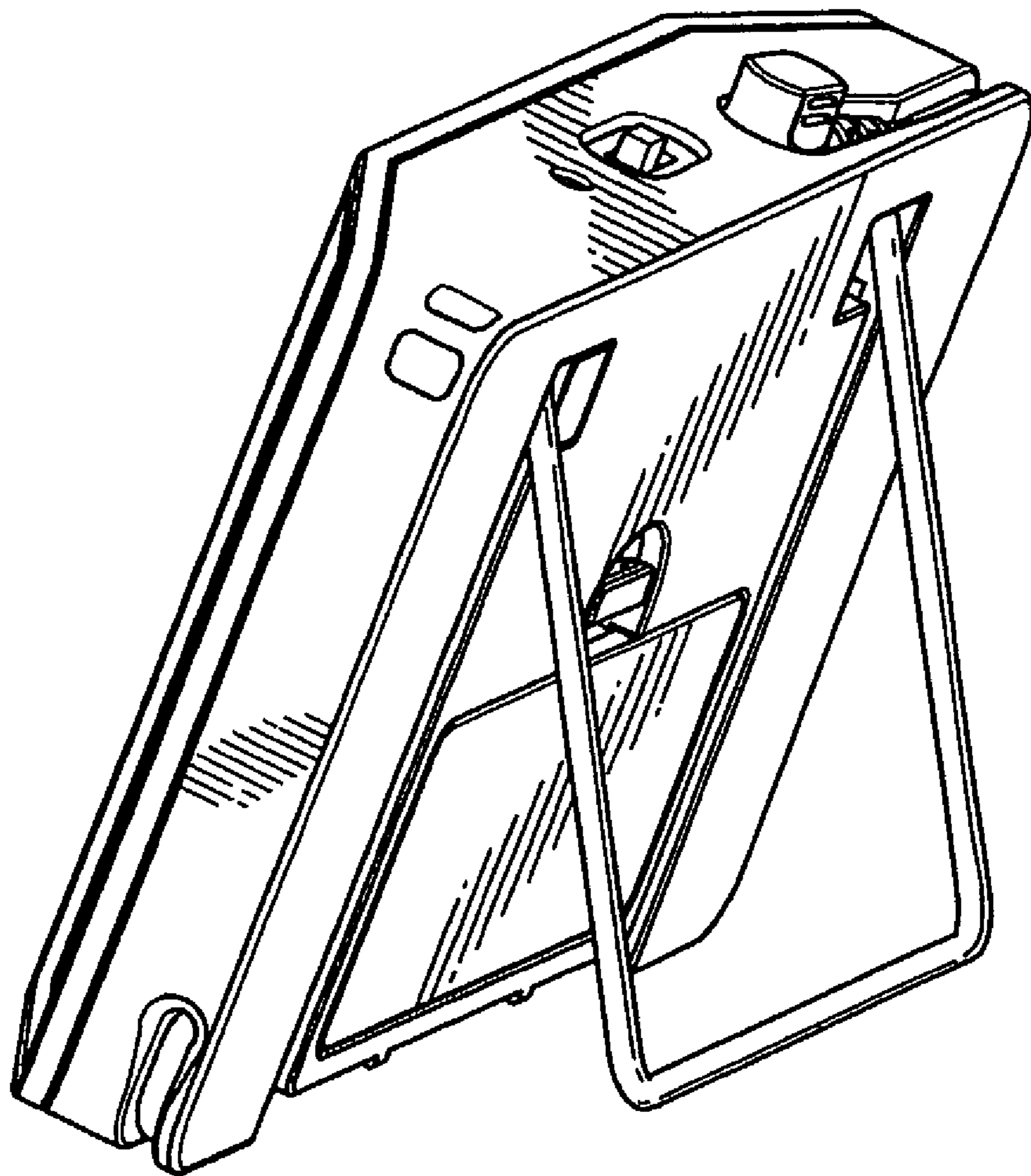


FIG. 3

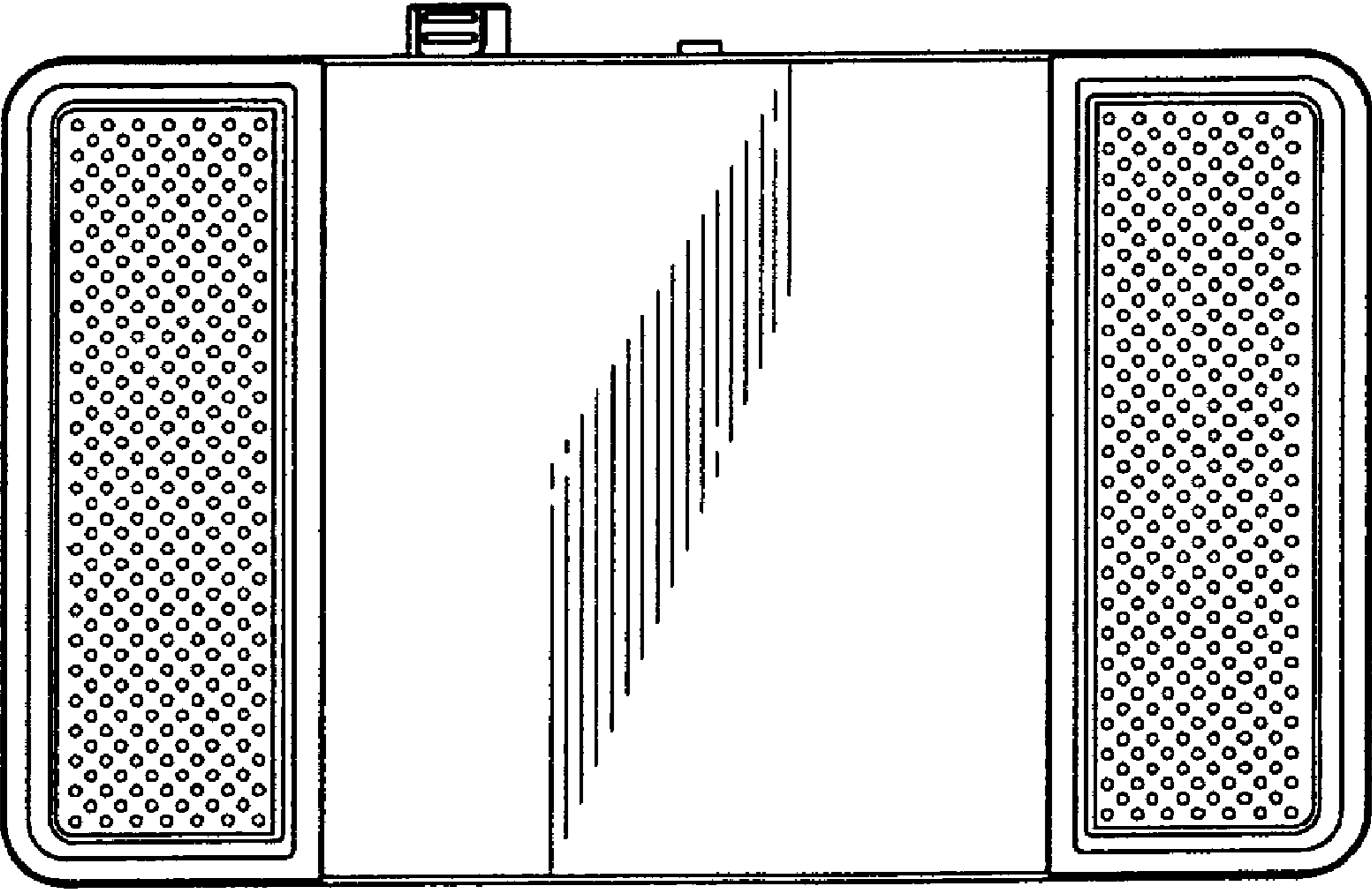
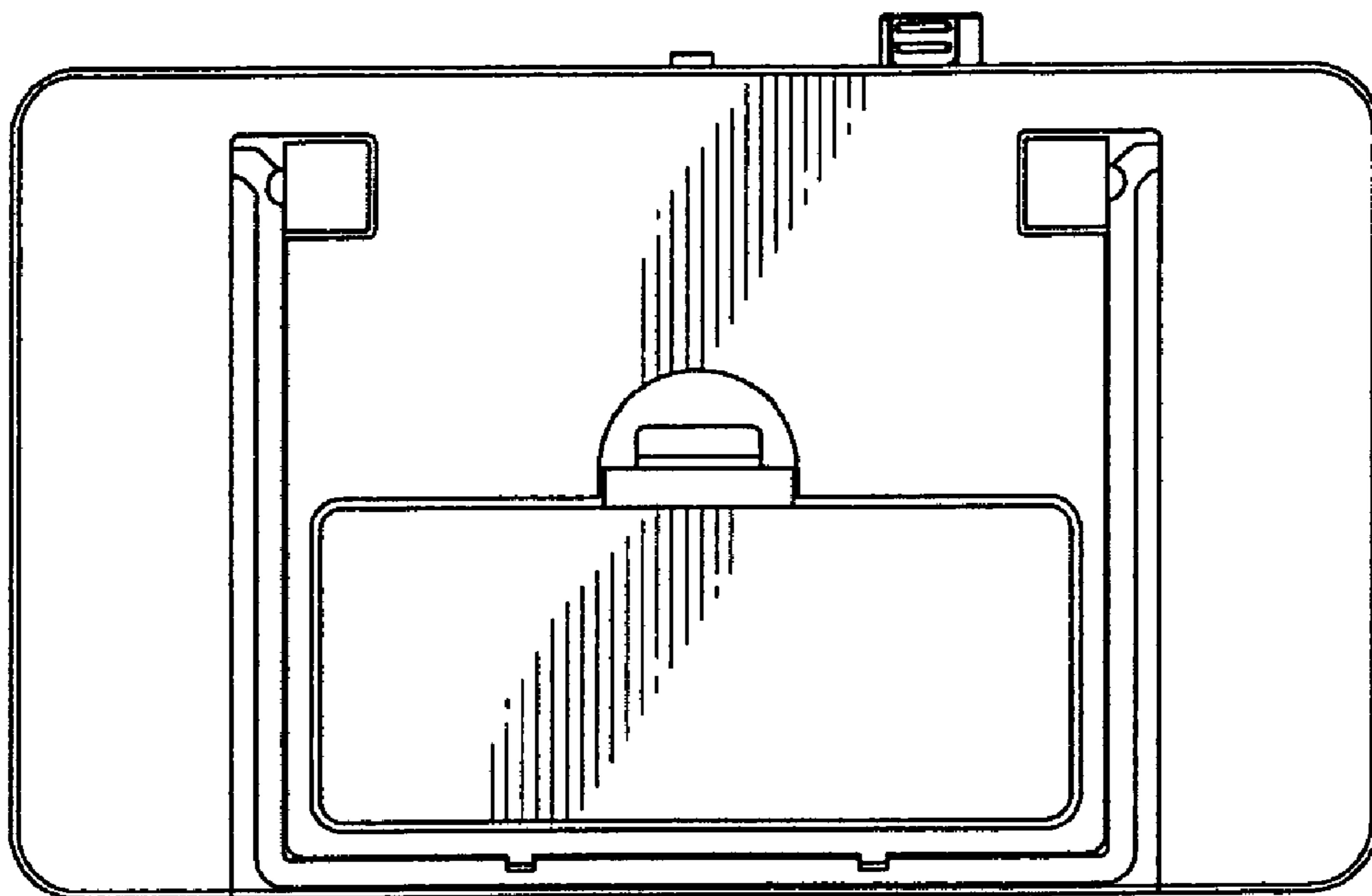


FIG. 4



**FIG. 5**

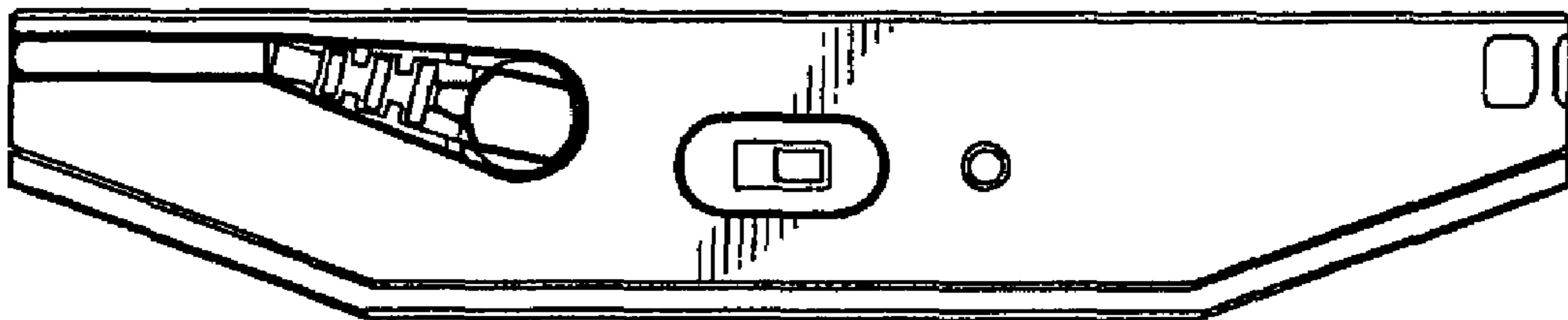


FIG. 6

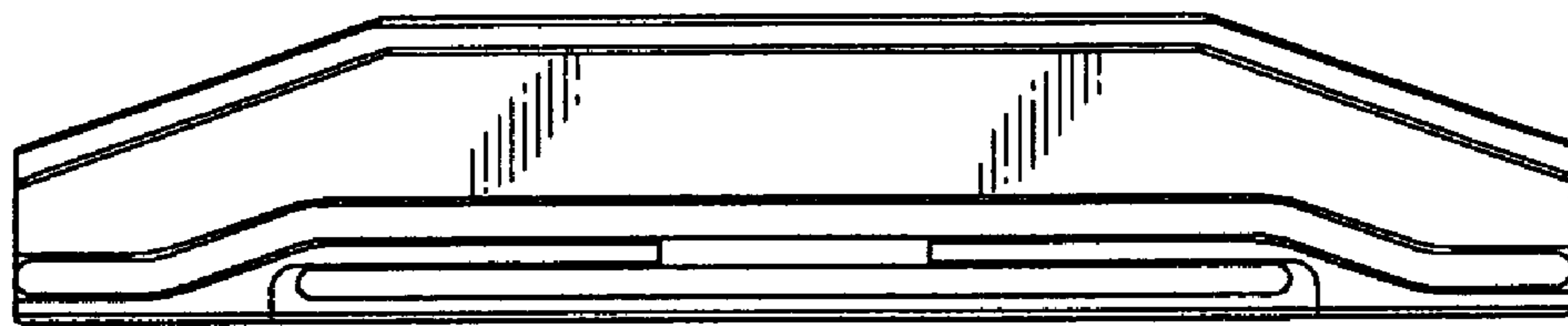
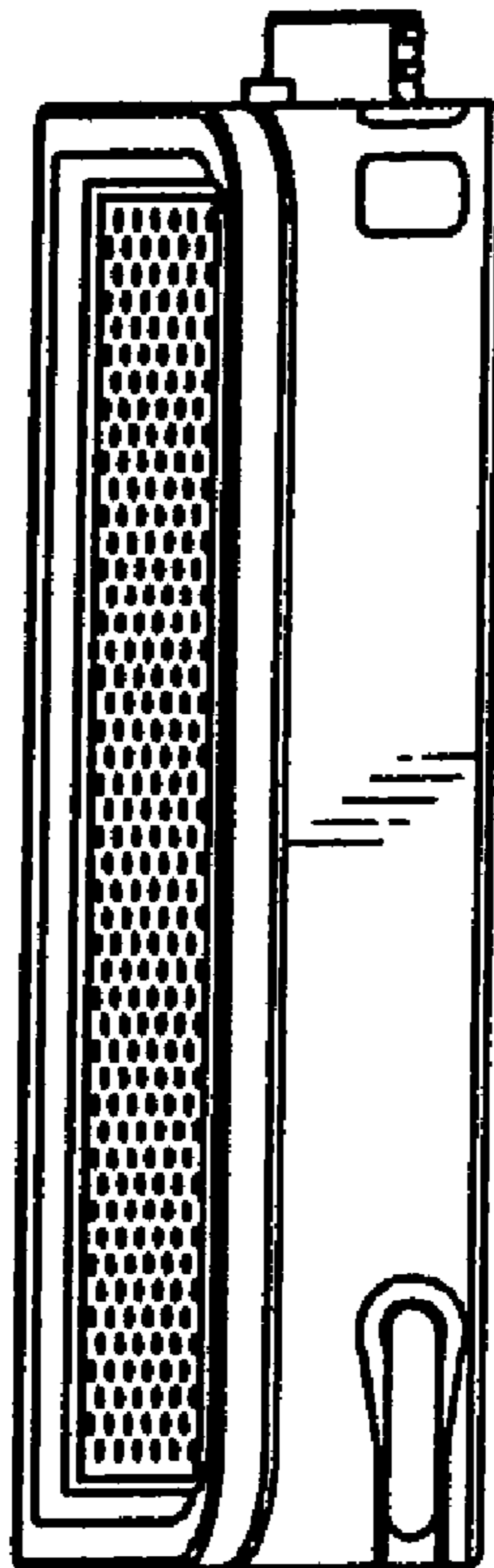


FIG. 7





**FIG. 8**

