



US00D597073S

(12) **United States Design Patent**  
**Khoo et al.**

(10) **Patent No.:** **US D597,073 S**  
(45) **Date of Patent:** **\*\* Jul. 28, 2009**

(54) **LOUDSPEAKER**

(75) Inventors: **Soo Beng Damien Khoo**, Singapore (SG); **Chien Mei Linda Ang**, Singapore (SG); **Mei San Gigi Cho**, Singapore (SG); **Huang Pheng Vince Ang**, Singapore (SG)

(73) Assignee: **Creative Technology Ltd**, Singapore (SG)

(\*\*) Term: **14 Years**

(21) Appl. No.: **29/322,071**

(22) Filed: **Jul. 29, 2008**

(51) **LOC (9) Cl.** ..... **14-01**

(52) **U.S. Cl.** ..... **D14/209.1**

(58) **Field of Classification Search** ..... D14/496,  
D14/162, 167-168, 188, 197-198, 217, 172,  
D14/211-214; 181/143-148, 150-151, 153,  
181/198-199; 369/75.11, 75.21, 77.11, 77.21;  
381/118-120, 300-302, 306, 361-364, 386-388,  
381/332, 336; 455/344, 347-351

See application file for complete search history.

(56) **References Cited**

**U.S. PATENT DOCUMENTS**

D532,773 S \* 11/2006 Langberg et al. .... D14/209.1

D553,611 S \* 10/2007 Gan ..... D14/214  
D554,104 S \* 10/2007 Kurihara ..... D14/214  
D554,105 S \* 10/2007 Langberg et al. .... D14/214  
D556,188 S \* 11/2007 Ang et al. .... D14/214  
D563,385 S \* 3/2008 Skurdal ..... D14/214

\* cited by examiner

*Primary Examiner*—Nanda Bondade

(74) *Attorney, Agent, or Firm*—Kenny Koblin

(57) **CLAIM**

The ornamental design for a loudspeaker, substantially as shown and described.

**DESCRIPTION**

FIG. 1 is a front perspective view of the loudspeaker in accordance with the present design;

FIG. 2 is rear perspective view thereof;

FIG. 3 is a front view thereof;

FIG. 4 is a rear view thereof;

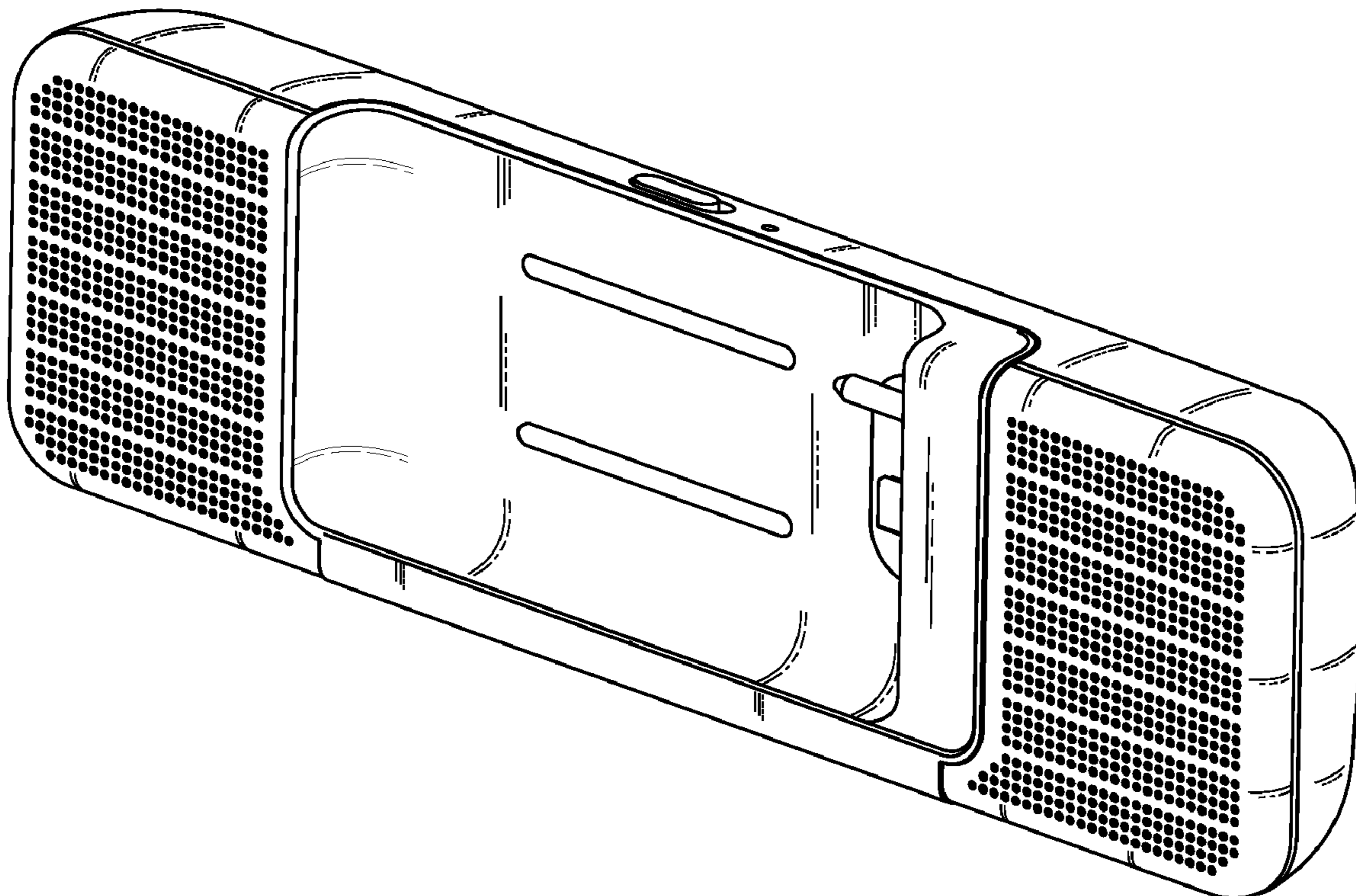
FIG. 5 is an enlarged left side view thereof;

FIG. 6 is an enlarged right side view thereof; and

FIG. 7 is a reduced top view thereof; and,

FIG. 8 is a reduced bottom view thereof.

**1 Claim, 4 Drawing Sheets**



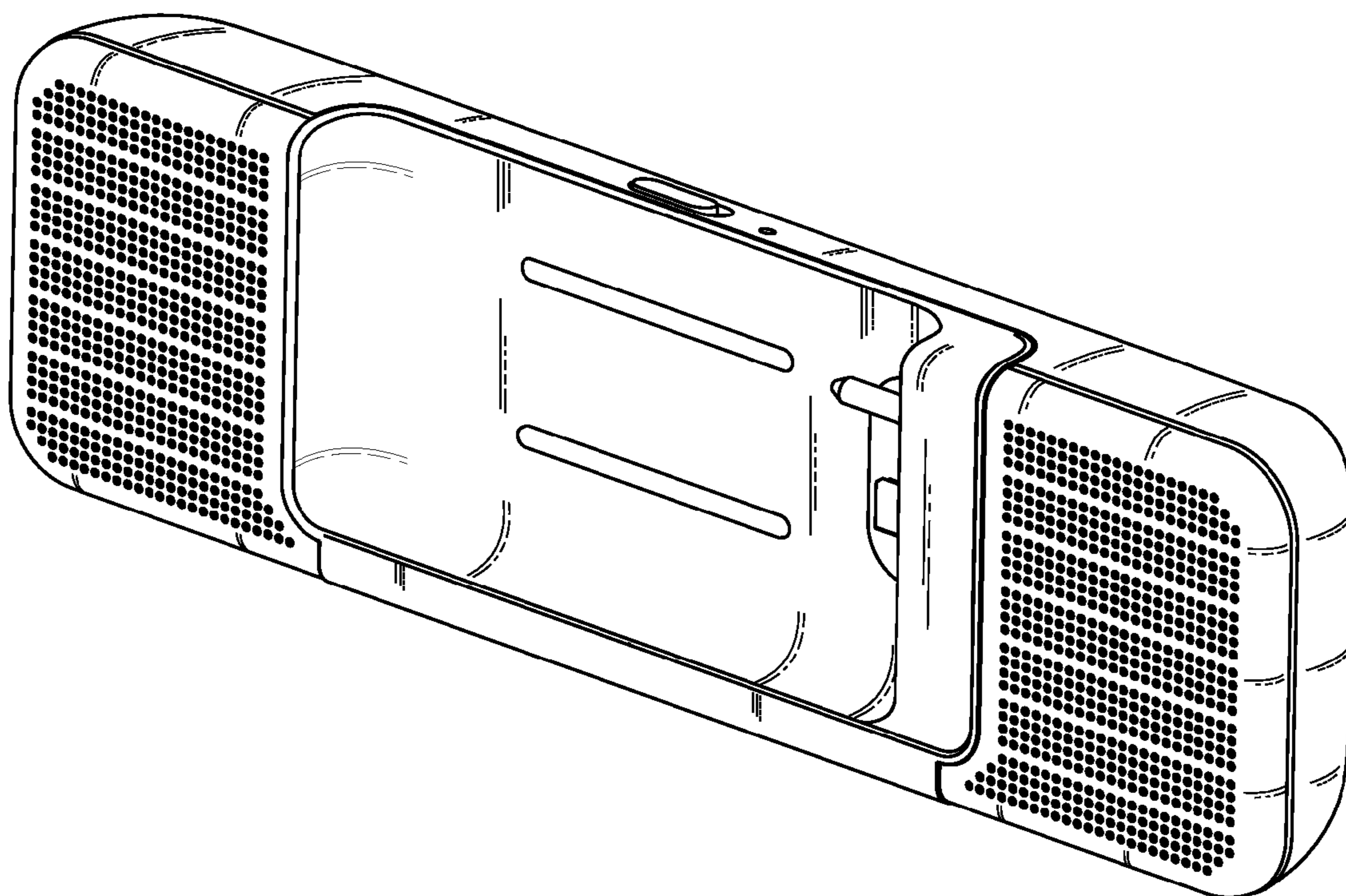


FIG. 1

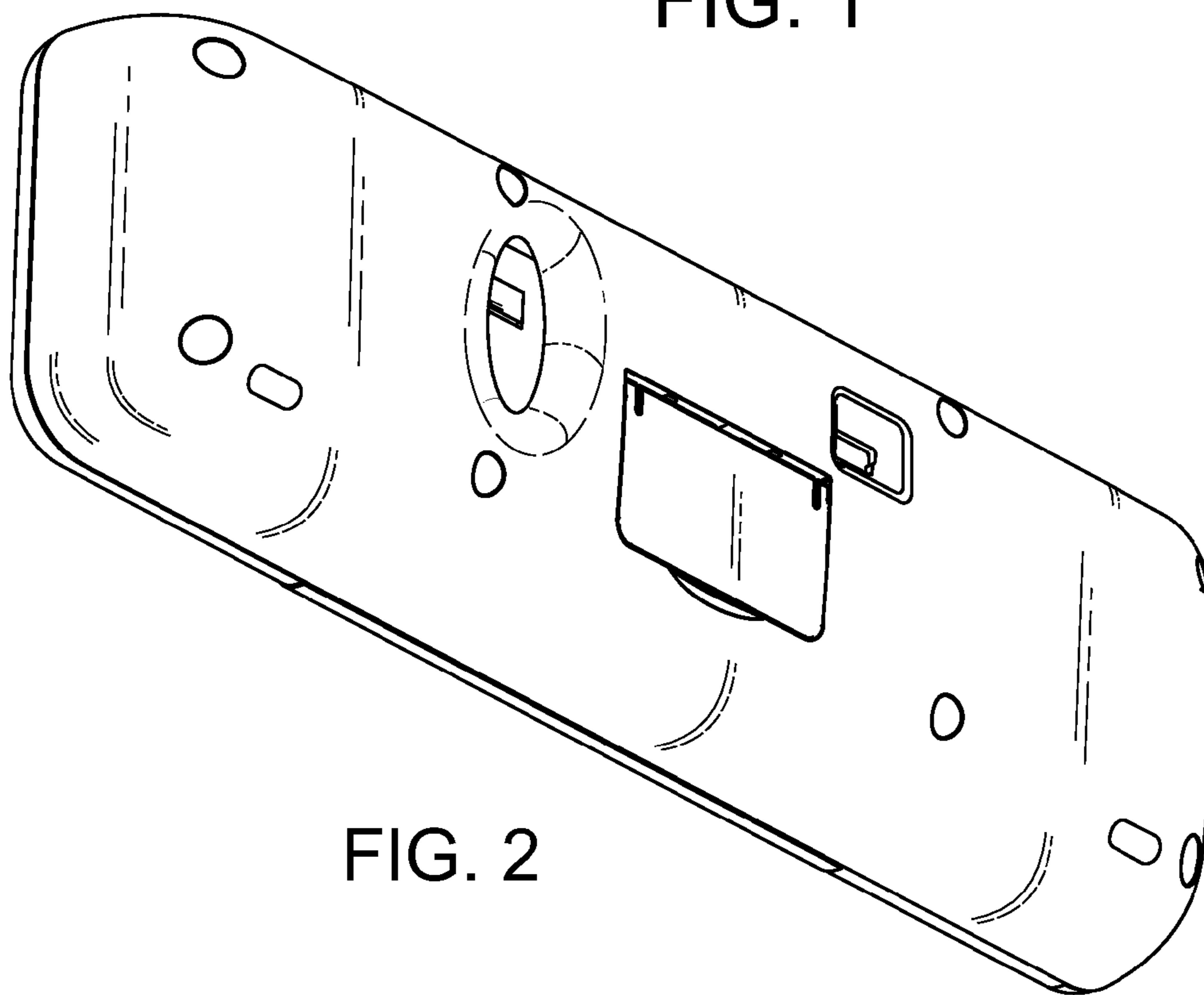


FIG. 2

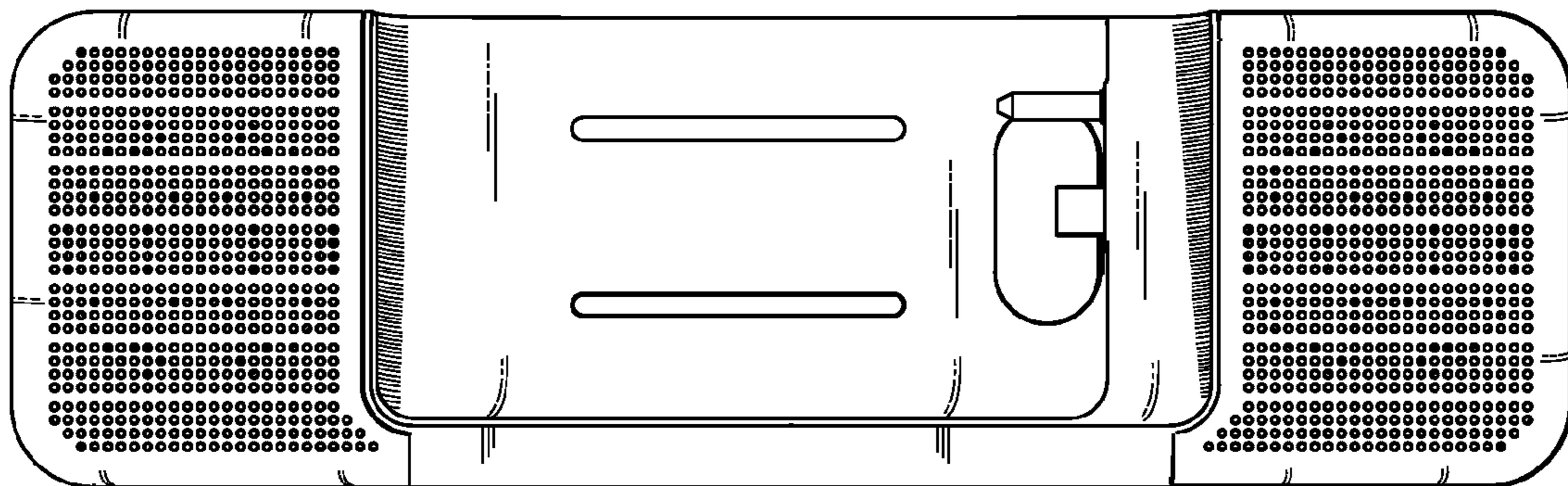


FIG. 3

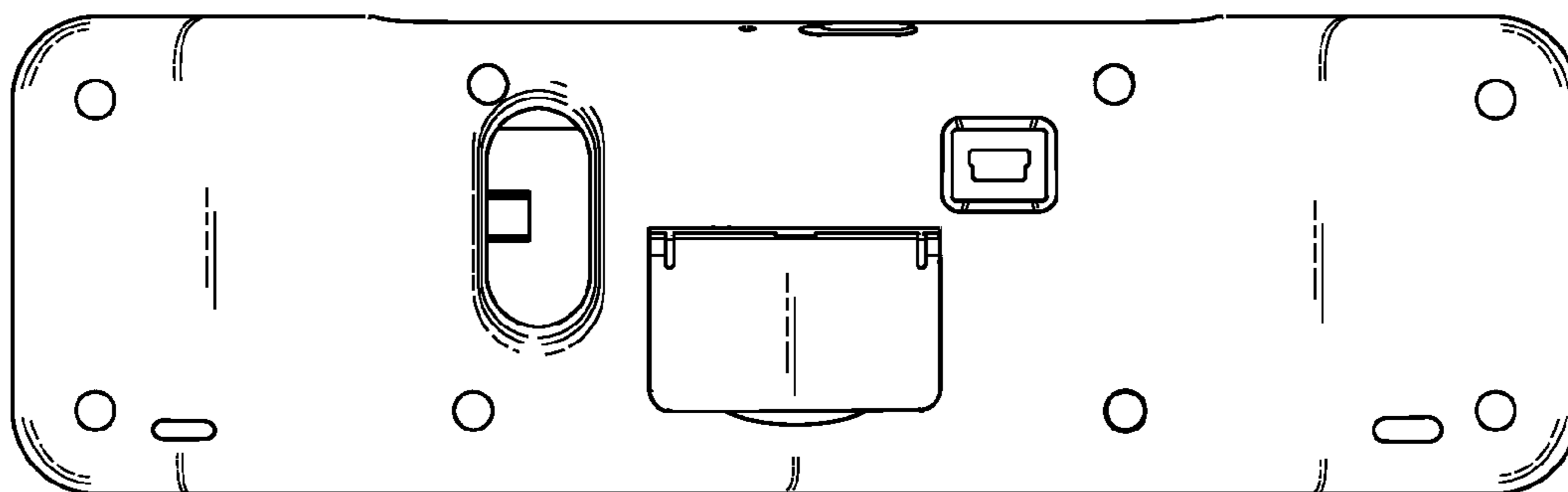


FIG. 4

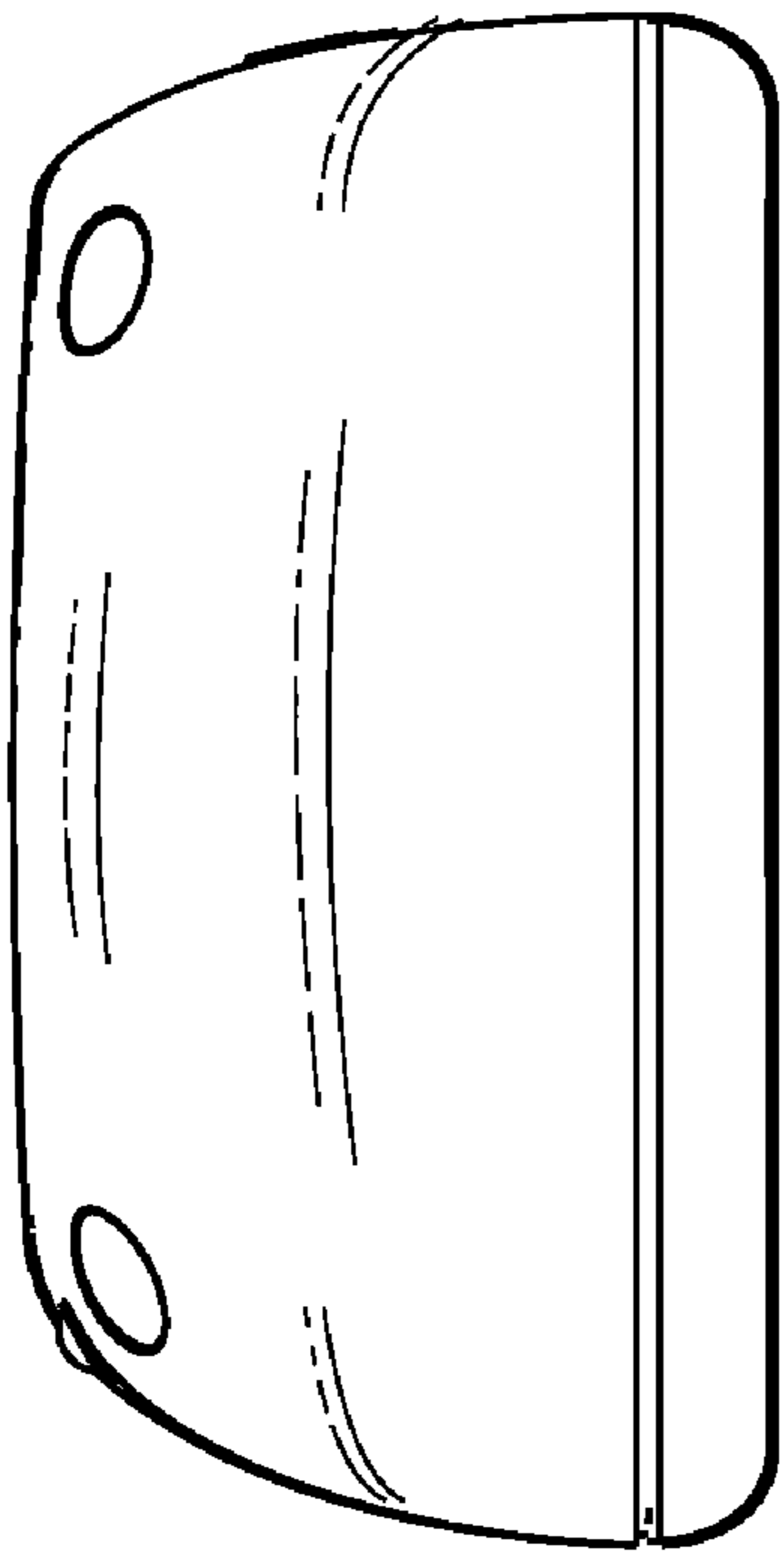


FIG. 5

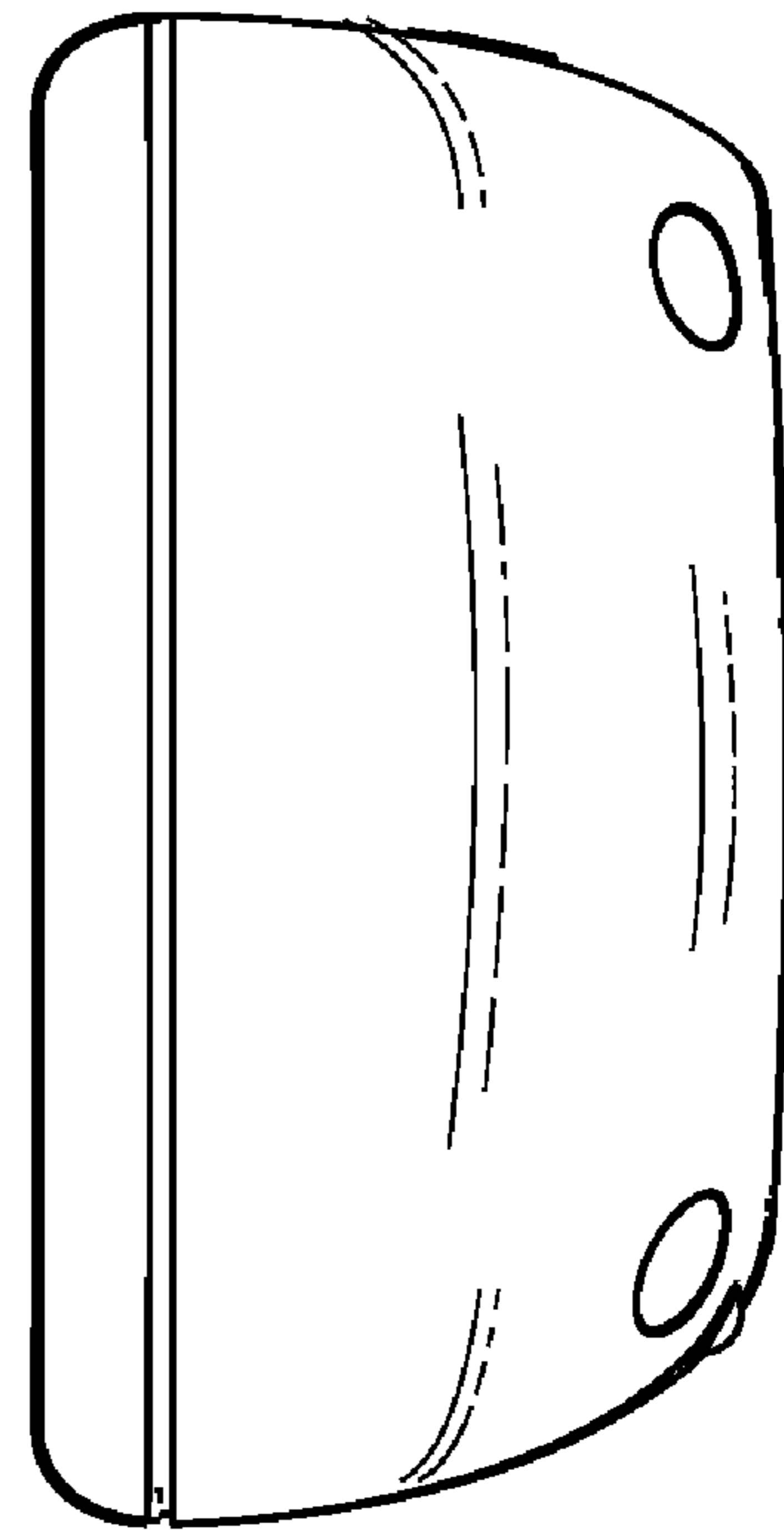


FIG. 6

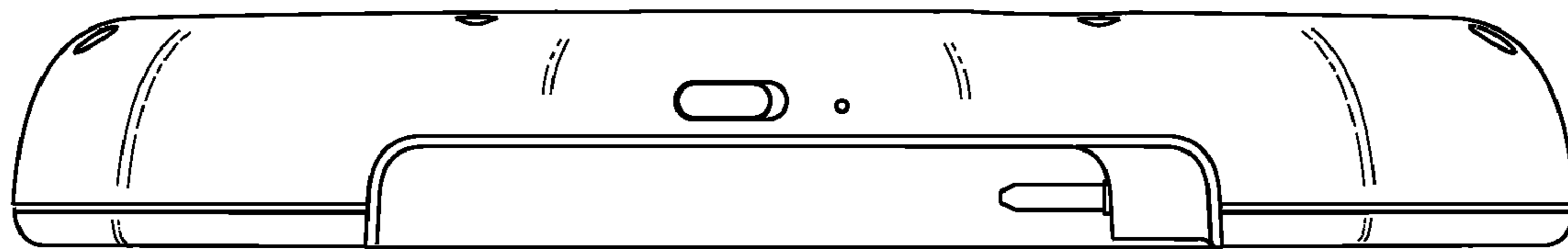


FIG. 7

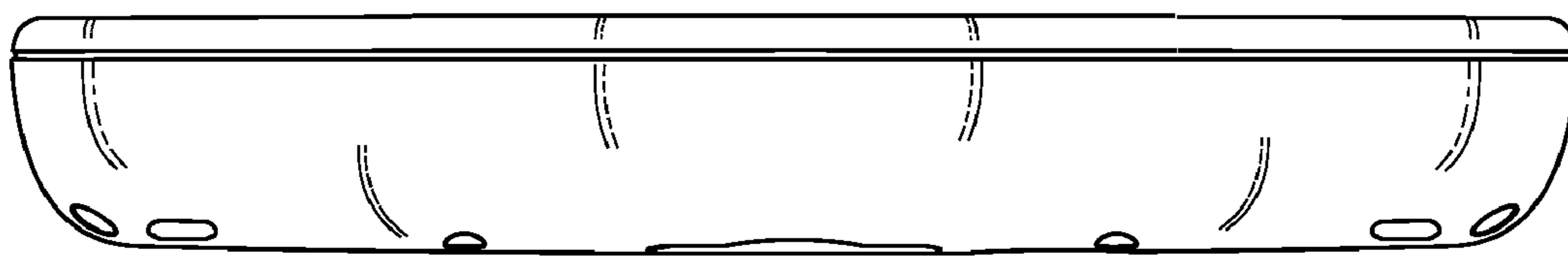


FIG. 8