



US00D597072S

(12) **United States Design Patent**
Asai

(10) **Patent No.:** **US D597,072 S**
(45) **Date of Patent:** **** Jul. 28, 2009**

(54) **HEADSET WITH MICROPHONE**

(75) Inventor: **Yoshihiko Asai**, Tokyo (JP)

(73) Assignee: **Panasonic Corporation**, Osaka (JP)

(**) Term: **14 Years**

(21) Appl. No.: **29/326,087**

(22) Filed: **Oct. 10, 2008**

(30) **Foreign Application Priority Data**

Apr. 11, 2008 (JP) 2008-009317

(51) **LOC (9) Cl.** **14-01**

(52) **U.S. Cl.** **D14/206**

(58) **Field of Classification Search** D14/205,
D14/206, 223, 188, 192, 140, 142, 240; 379/430;
381/378, 370, 380, 381; 181/129, 130, 135;
455/575.1, 575.2

See application file for complete search history.

(56) **References Cited**

U.S. PATENT DOCUMENTS

- 4,875,233 A * 10/1989 Derhaag et al. 379/430
- 5,381,486 A * 1/1995 Ludeke et al. 381/375
- 5,469,505 A * 11/1995 Gattey et al. 379/430
- D377,020 S * 12/1996 Bungardt et al. D14/205
- 5,793,878 A * 8/1998 Chang 381/370
- D410,921 S * 6/1999 Luchs et al. D14/142
- D464,951 S * 10/2002 Skulley et al. D14/223
- 6,622,029 B1 * 9/2003 Skulley et al. 455/575.2

- D530,307 S * 10/2006 Rath D14/206
- D530,702 S * 10/2006 Pritchard et al. D14/206
- D531,165 S * 10/2006 Rath D14/206
- 7,391,863 B2 * 6/2008 Viduya et al. 379/430
- 7,436,973 B2 * 10/2008 Liao 381/370

FOREIGN PATENT DOCUMENTS

- JP D1059025 1/2000
- JP D1179000 7/2003
- JP D1215574 8/2004

* cited by examiner

Primary Examiner—Paula Greene

(74) *Attorney, Agent, or Firm*—Brinks Hofer Gilson & Lione

(57) **CLAIM**

I claim the ornamental design for a headset with microphone, as shown and described.

DESCRIPTION

FIG. 1 is a front perspective view of a headset with microphone of the present invention;

FIG. 2 is a front view thereof;

FIG. 3 is a first side view thereof;

FIG. 4 is a second side view thereof;

FIG. 5 is a top view thereof; and,

FIG. 6 is a bottom view thereof.

The broken line showing of headset with microphone is included for the purpose of illustrating environment and forms no part of the claimed design.

1 Claim, 6 Drawing Sheets

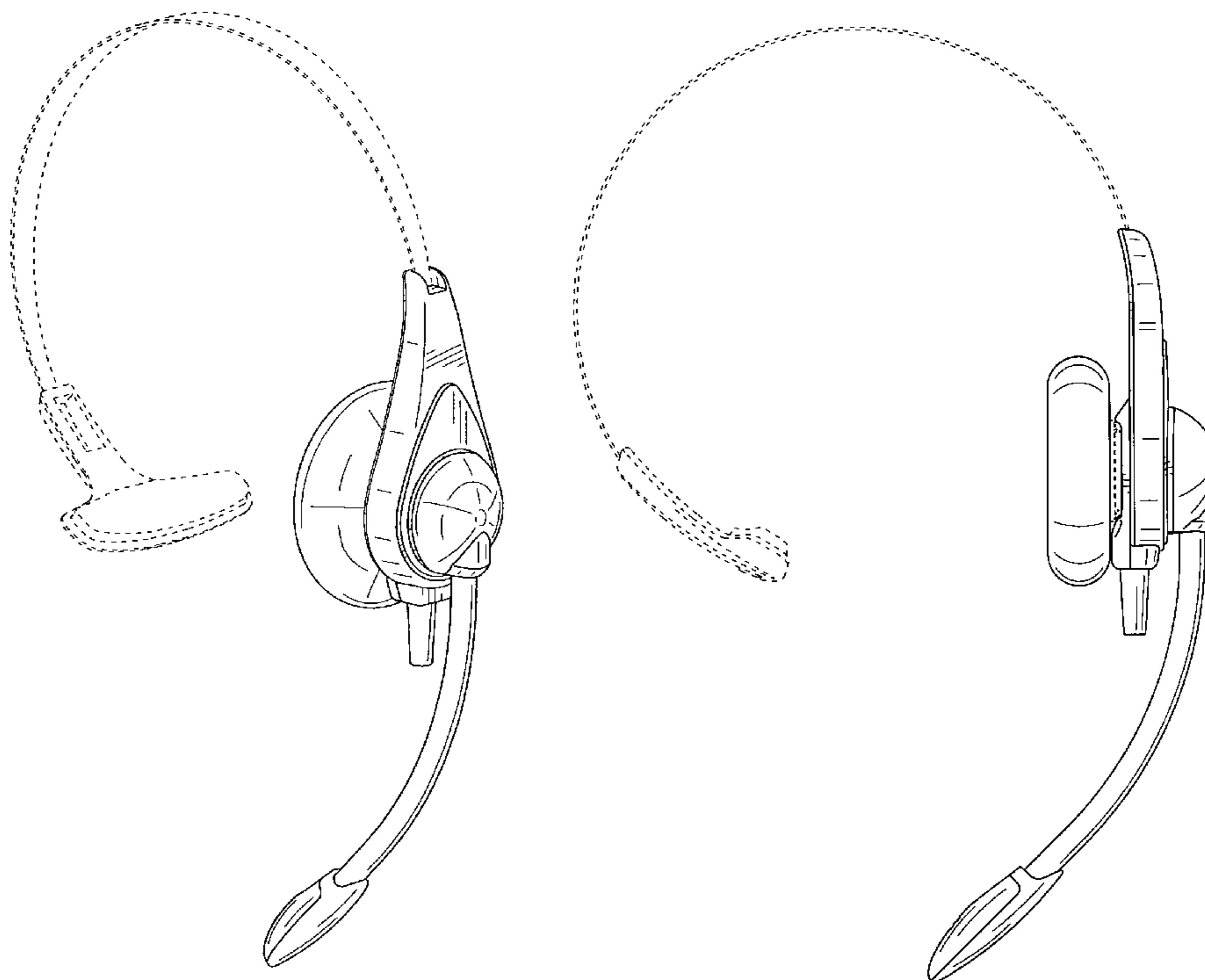


FIG. 1

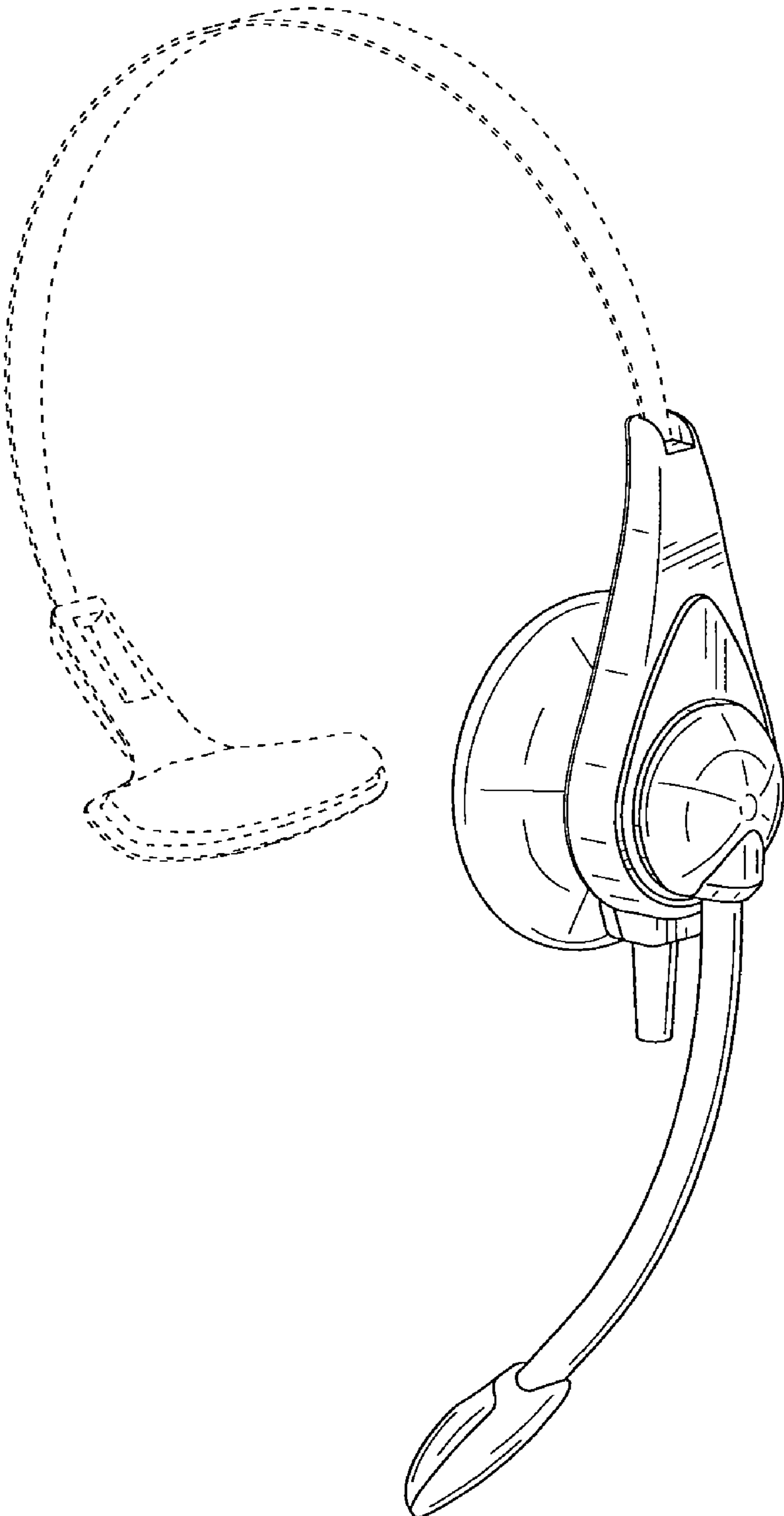


FIG.2

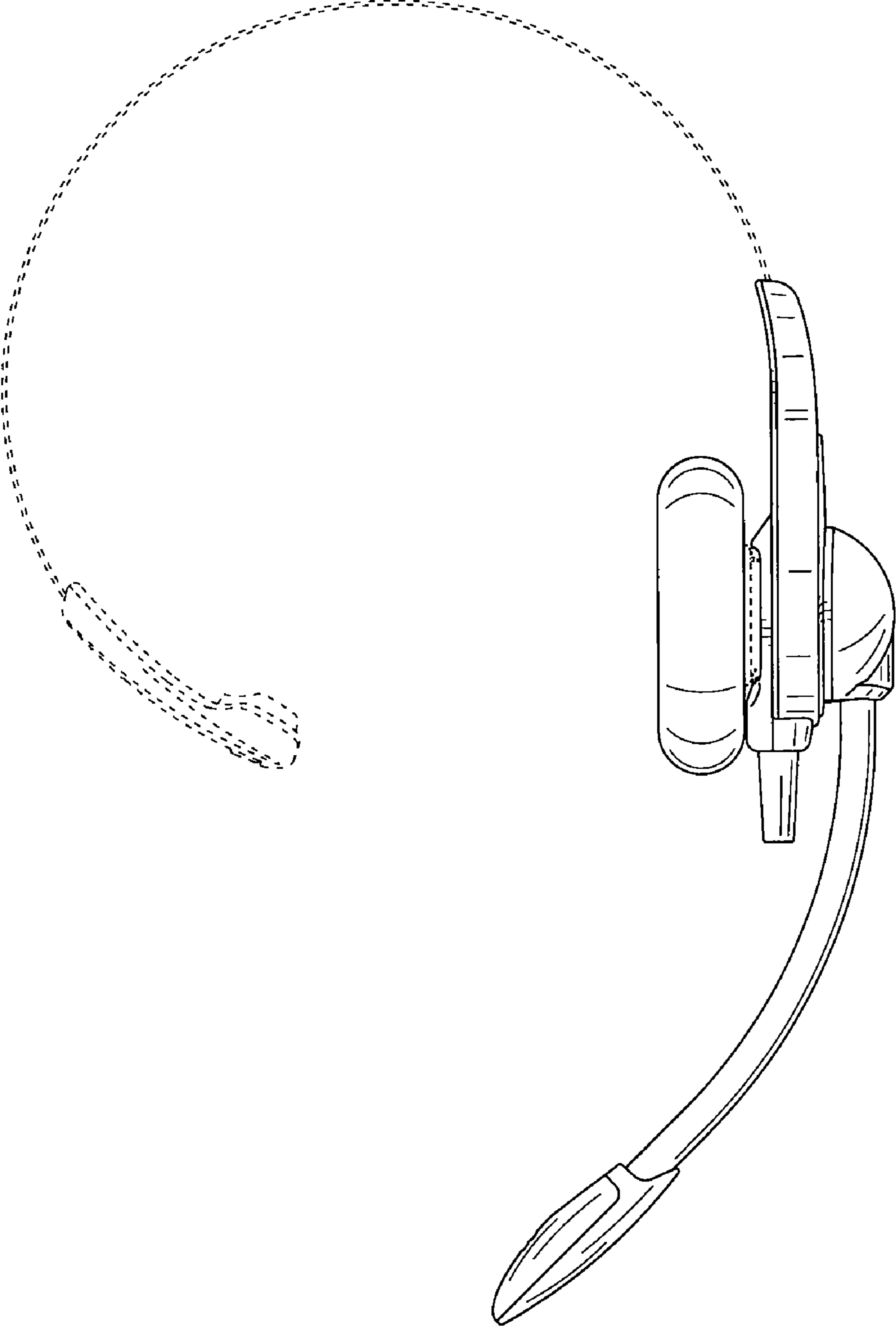


FIG. 3

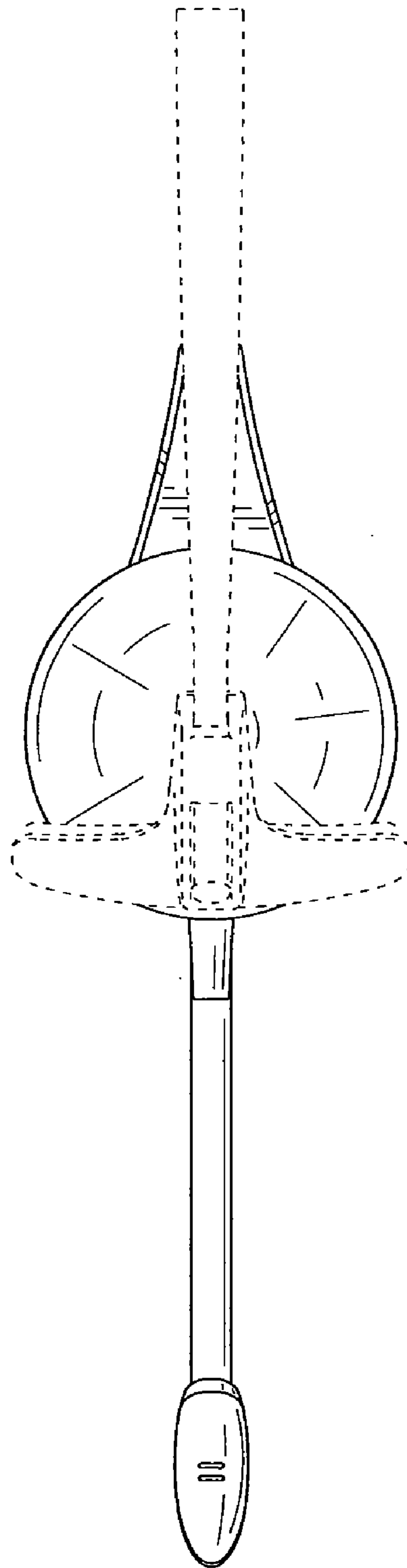


FIG. 4

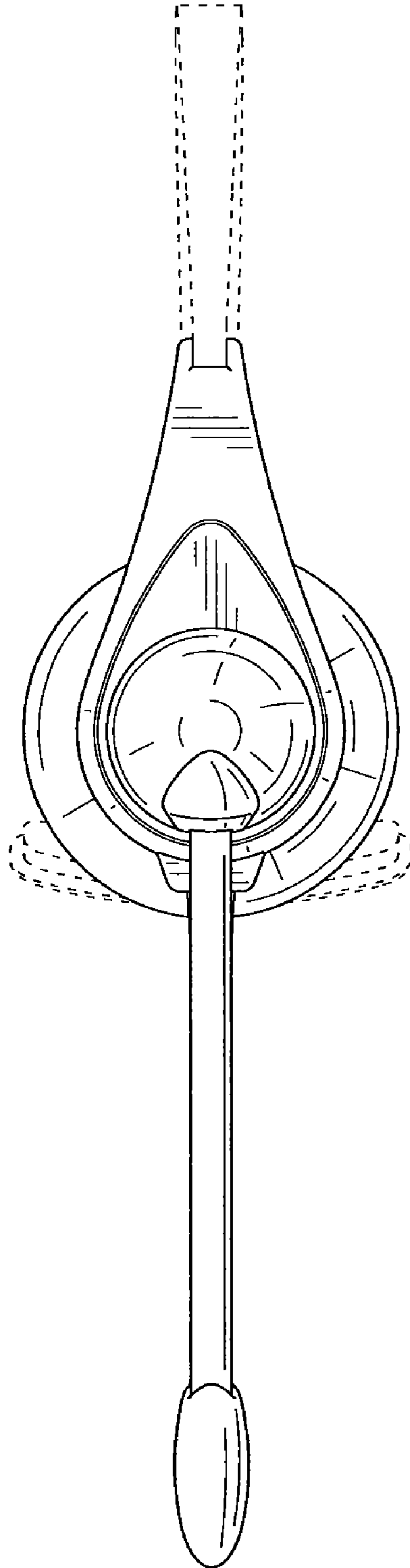


FIG.5

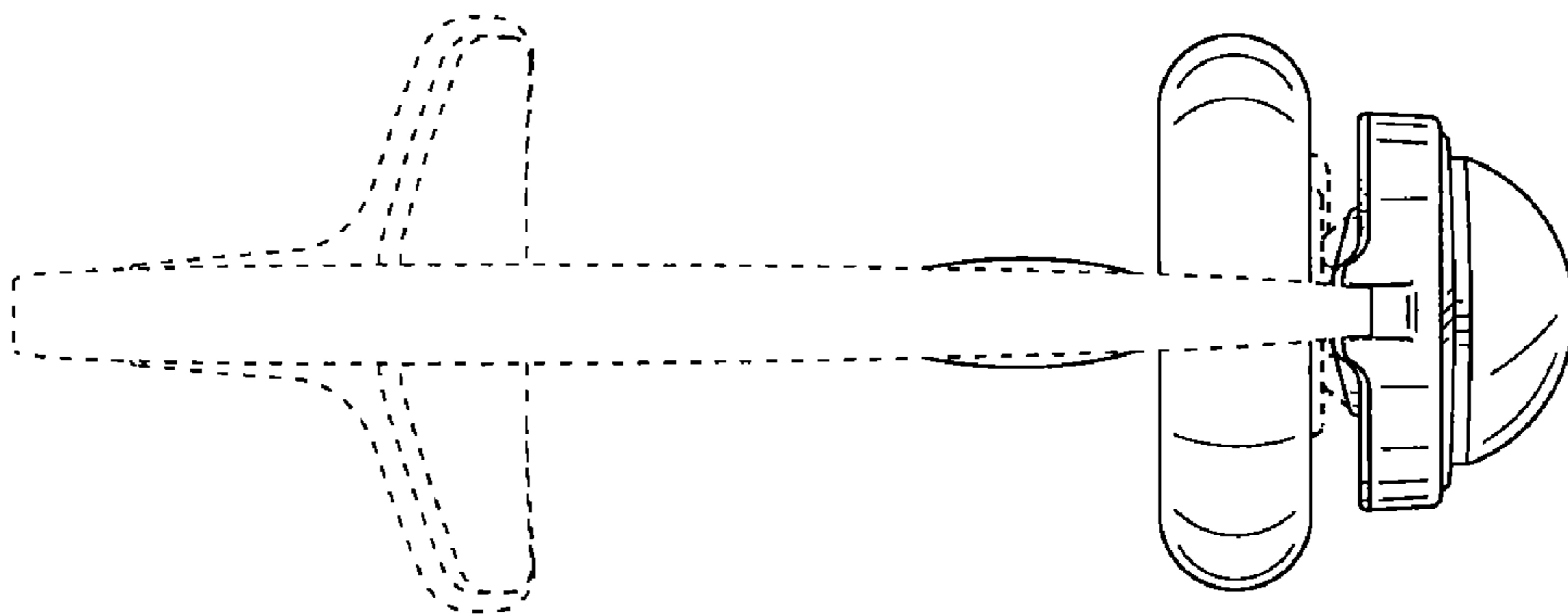


FIG.6

