



US00D597070S

(12) **United States Design Patent**
Zheng

(10) **Patent No.:** **US D597,070 S**
(45) **Date of Patent:** **** Jul. 28, 2009**

(54) **HEADPHONE**

(75) Inventor: **Qi Zheng**, Tokyo (JP)

(73) Assignee: **Sony Corporation**, Tokyo (JP)

(**) Term: **14 Years**

(21) Appl. No.: **29/309,836**

(22) Filed: **Oct. 23, 2008**

(30) **Foreign Application Priority Data**

Apr. 24, 2008 (JP) 2008-010583

(51) **LOC (9) Cl.** **14-01**

(52) **U.S. Cl.** **D14/205**

(58) **Field of Classification Search** D14/205,
D14/206, 223; 181/18, 129, 130; 379/430,
379/431, 433; 381/74, 370, 375, 376, 377,
381/378, 379, 380, 381; 2/209; D29/112;
455/575.2

See application file for complete search history.

(56) **References Cited**

U.S. PATENT DOCUMENTS

4,409,442 A * 10/1983 Kamimura 381/383
4,472,607 A * 9/1984 Houng 181/18
D328,074 S * 7/1992 Yamazaki et al. D14/205
D337,115 S * 7/1993 Yamazaki et al. D14/205
D353,818 S * 12/1994 Nakamura D14/205
5,406,037 A * 4/1995 Nageno et al. 181/129
5,640,458 A * 6/1997 Nishiguchi et al. 381/74
D405,449 S * 2/1999 Nakamura et al. D14/205

5,887,286 A * 3/1999 Waldron 2/209
D431,550 S 10/2000 Yoneda
D484,485 S * 12/2003 Matsuoka D14/205
D510,335 S * 10/2005 Suzuki D14/205
D512,708 S * 12/2005 Harris et al. D14/205
D532,407 S * 11/2006 Motoishi D14/205
RE40,318 E 5/2008 Yoneda
D573,581 S * 7/2008 Gondo et al. D14/205
D585,871 S * 2/2009 Lee D14/205
D585,872 S * 2/2009 Lee D14/205
D588,098 S * 3/2009 Kurihara D14/205
D588,100 S * 3/2009 Densho et al. D14/205

* cited by examiner

Primary Examiner—Paula Greene

(74) *Attorney, Agent, or Firm*—Rader, Fishman & Grauer,
PLLC

(57) **CLAIM**

The ornamental design for headphone, as shown.

DESCRIPTION

FIG. 1 is a perspective view of a headphone showing my new design;

FIG. 2 is a front elevational view thereof;

FIG. 3 is a rear elevational view thereof;

FIG. 4 is a left side elevational view thereof;

FIG. 5 is a right side elevational view thereof;

FIG. 6 is a top plan view thereof; and,

FIG. 7 is a bottom plan view thereof.

1 Claim, 7 Drawing Sheets

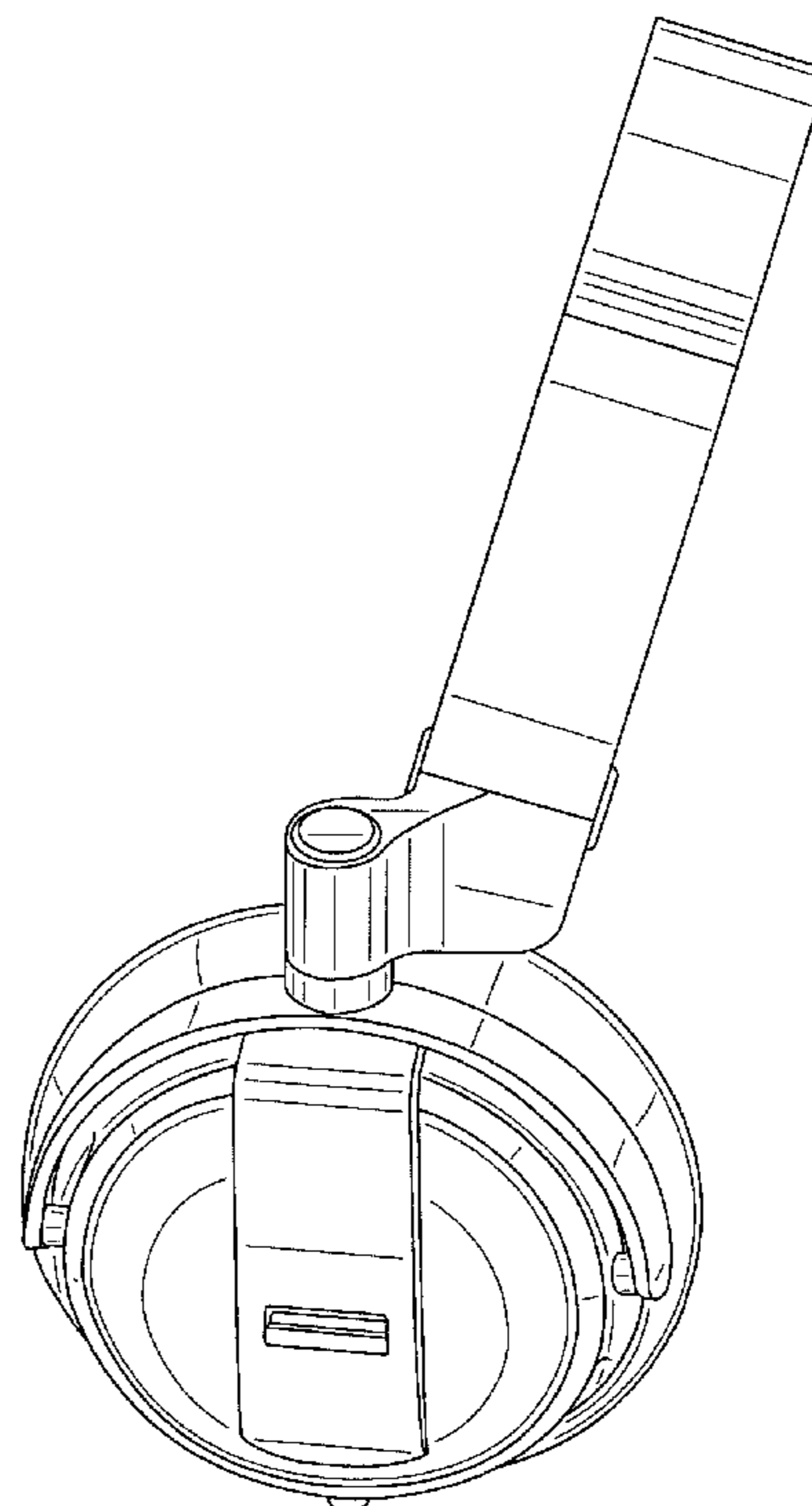
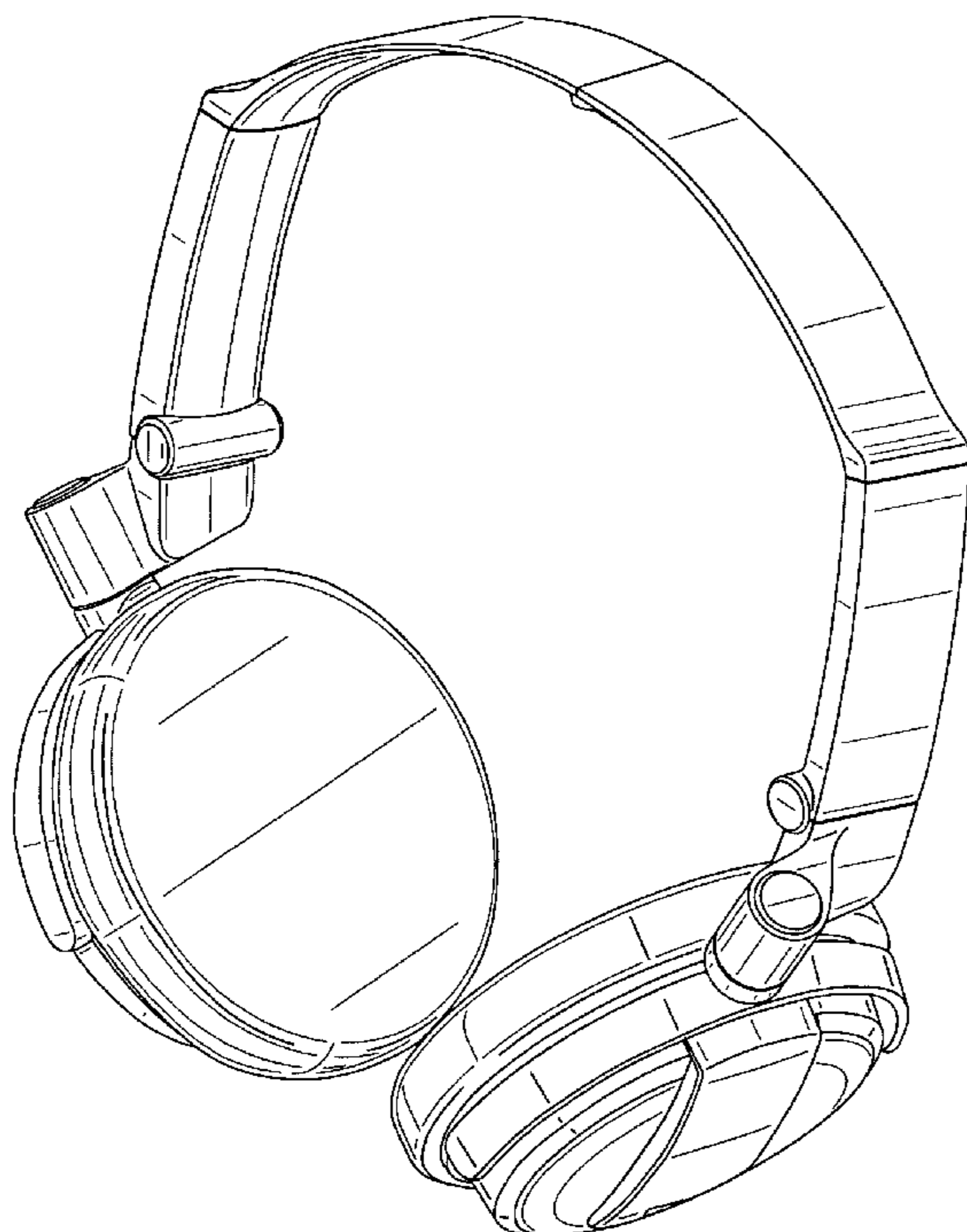


FIG.1

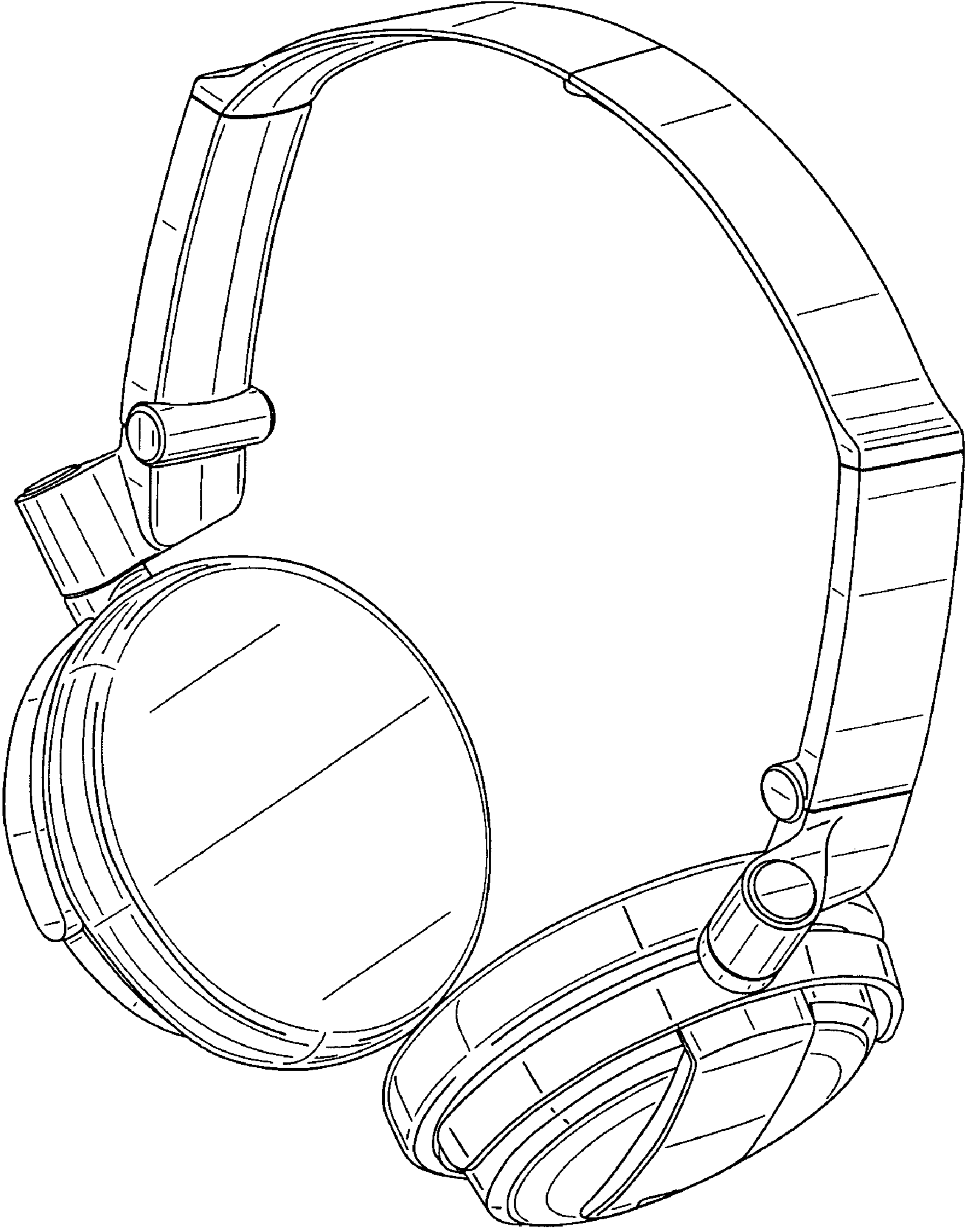


FIG.2



FIG.3

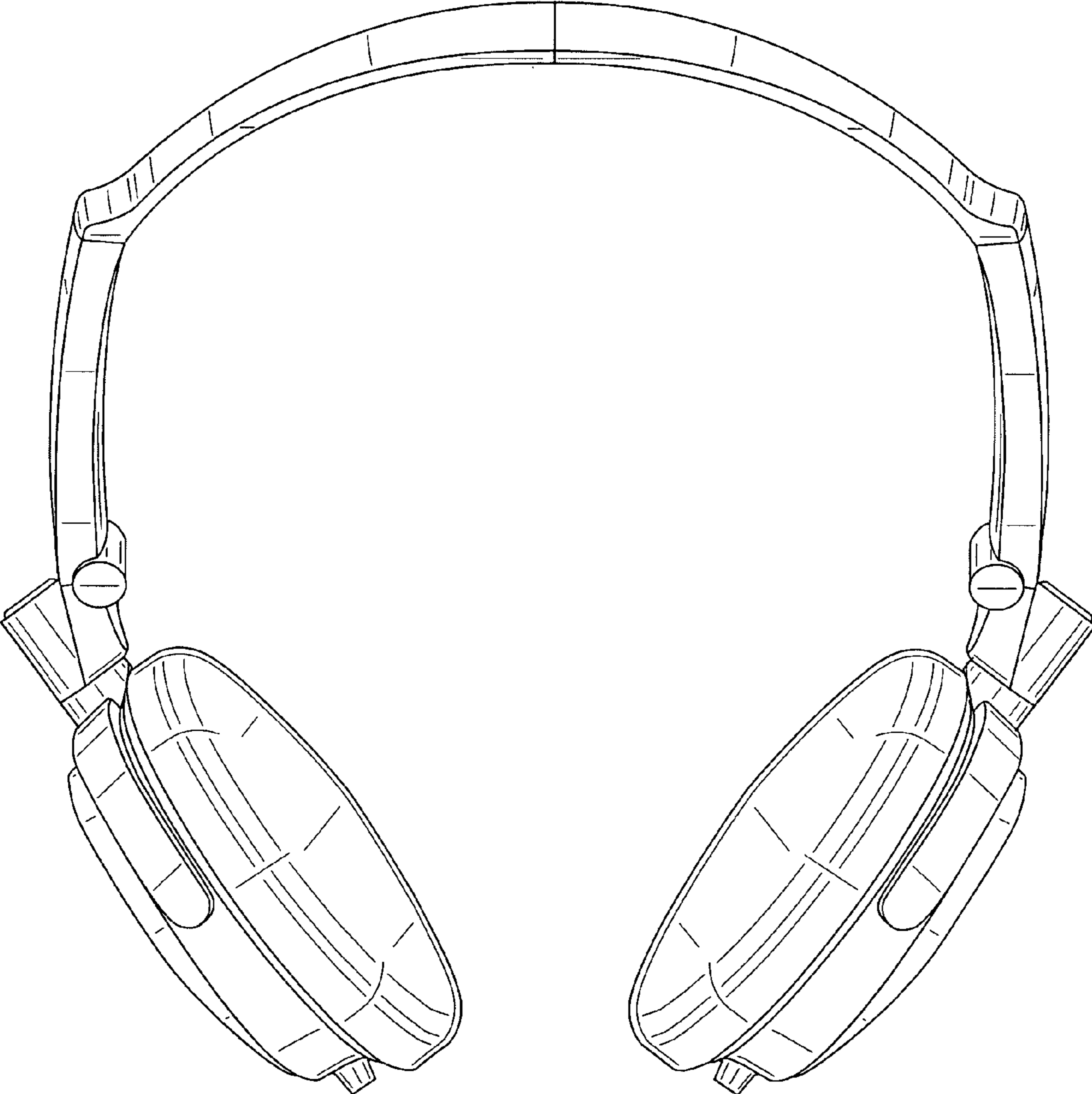


FIG.4

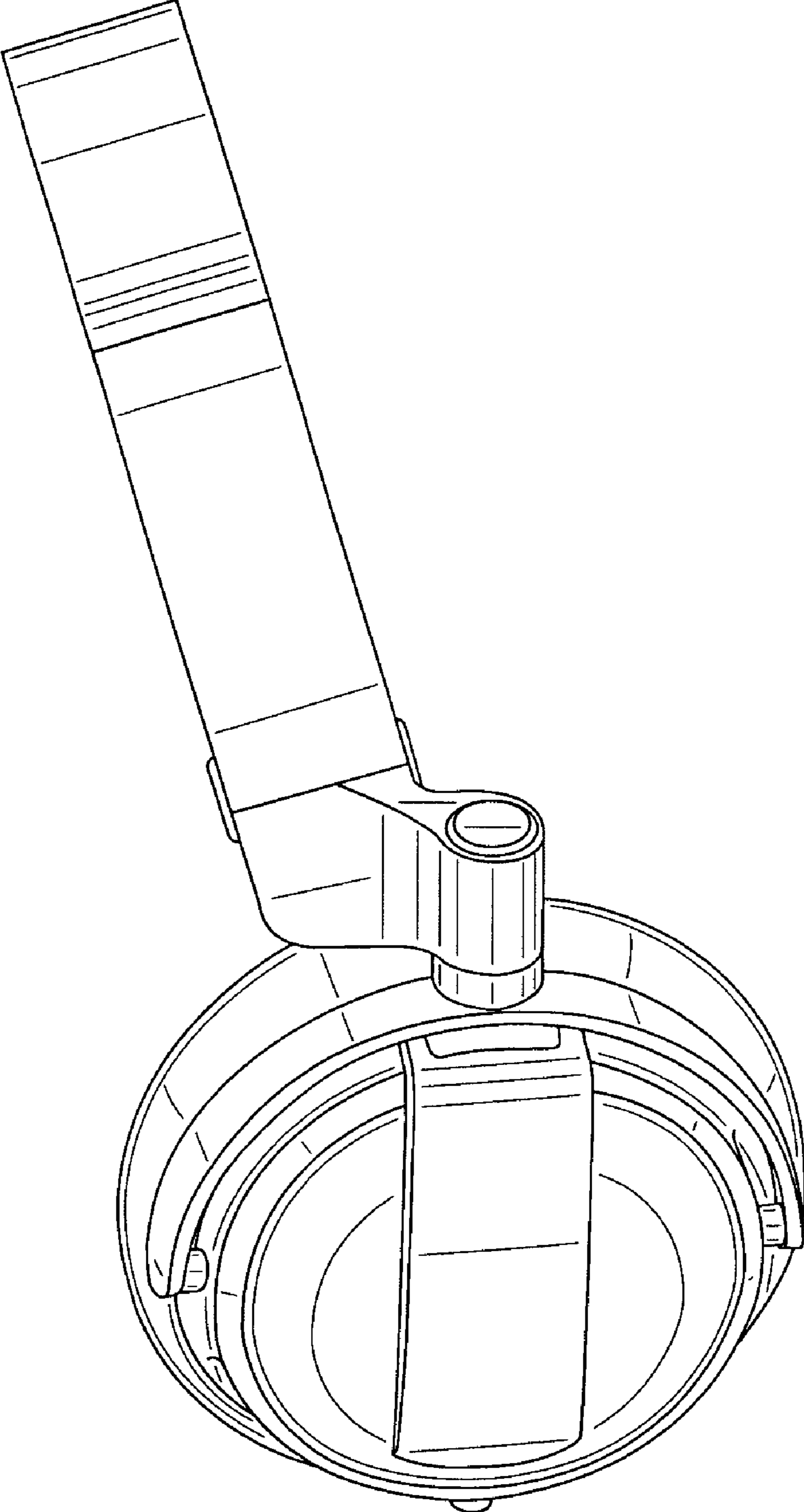


FIG.5

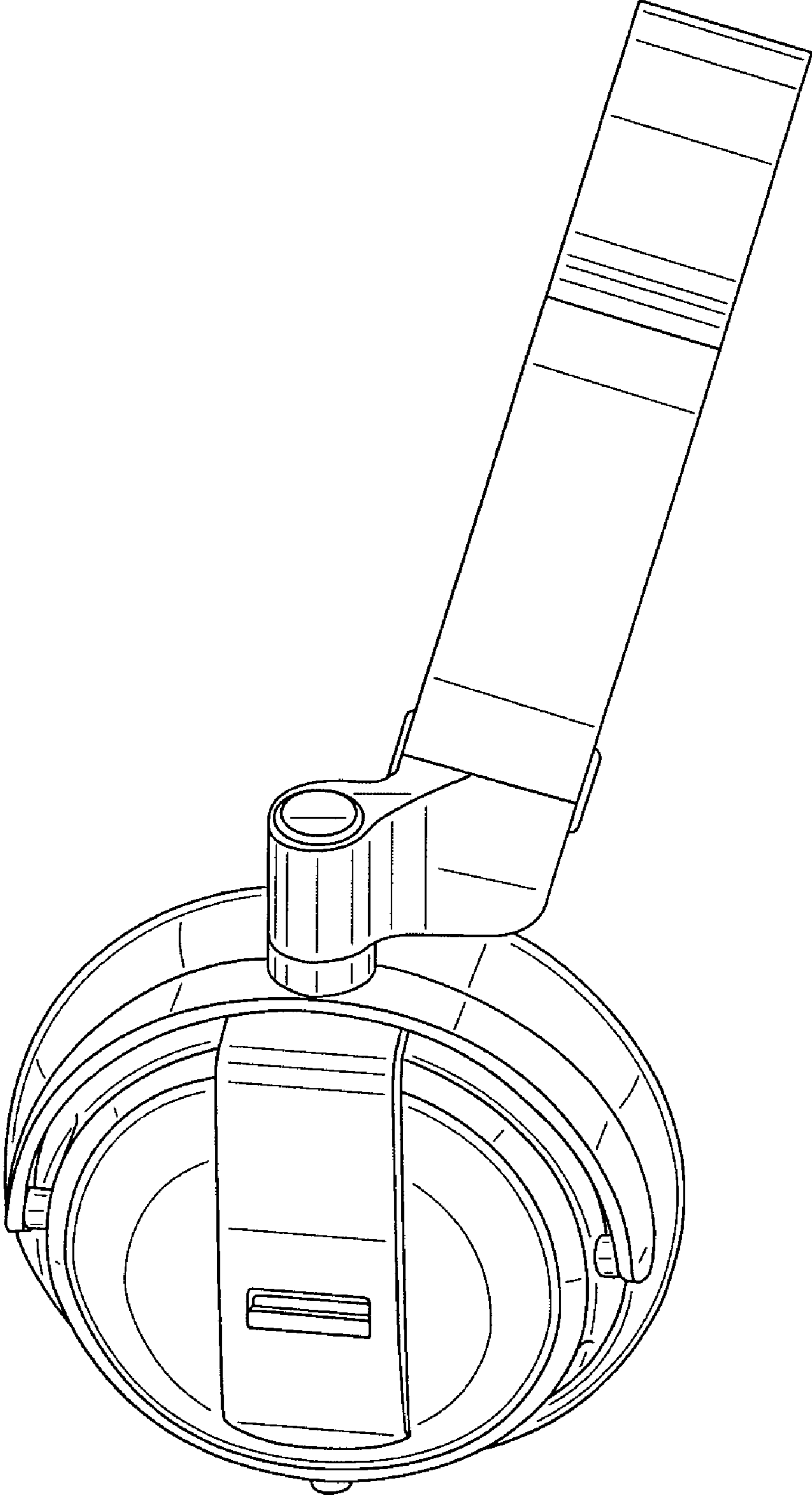


FIG.6

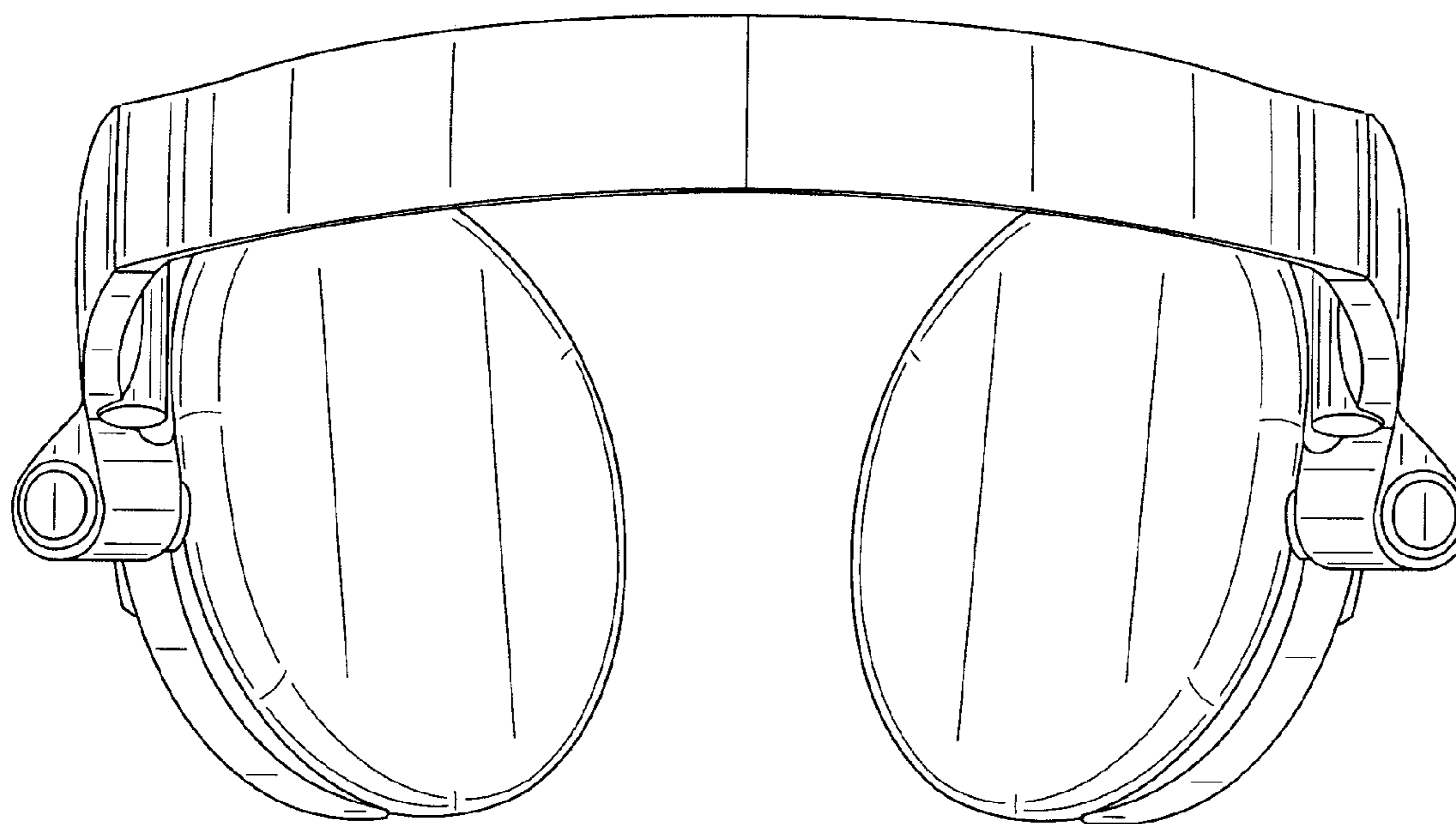


FIG.7

