



US00D597066S

(12) **United States Design Patent**
Millen et al.

(10) **Patent No.:** **US D597,066 S**
(45) **Date of Patent:** **** Jul. 28, 2009**

(54) **RADIO**

(75) Inventors: **Samuel L. Millen**, Somerville, MA (US); **Gerd Schmieta**, Boston, MA (US)

(73) Assignee: **Cue Acoustics, Inc.**, Somerville, MA (US)

(**) Term: **14 Years**

(21) Appl. No.: **29/293,365**

(22) Filed: **Nov. 19, 2007**

(51) **LOC (9) Cl.** **14-03**

(52) **U.S. Cl.** **D14/194; D14/188; D14/198**

(58) **Field of Classification Search** D14/137, D14/138, 155, 160–171, 188, 189, 193–198, D14/204, 207, 213, 214, 217, 265, 299, 496; D13/107, 108, 118; 455/90.1–90.3, 344–355, 455/899; 369/6–12; 370/342–344

See application file for complete search history.

(56) **References Cited**

U.S. PATENT DOCUMENTS

D300,634 S	*	4/1989	Dickson	D14/257
D342,954 S	*	1/1994	Lindeman	D14/258
D364,877 S	*	12/1995	Tokiyama et al.	D14/258
D376,153 S	*	12/1996	Larson et al.	D14/257
D401,937 S	*	12/1998	Isonaga	D14/197
D440,957 S		4/2001	Grinkus		
D498,742 S		11/2004	Green		
D517,032 S		3/2006	Carbone et al.		
D530,305 S	*	10/2006	Kaner et al.	D14/188
D540,300 S	*	4/2007	Amid-Hozour	D14/188
D552,074 S		10/2007	Aquillano et al.		
D553,119 S		10/2007	Chau		
D556,185 S		11/2007	Motoishi		
D556,732 S		12/2007	Chan		
D557,262 S		12/2007	Sakai		
D572,232 S	*	7/2008	Joseph	D14/188
D583,360 S	*	12/2008	Gredler	D14/171

* cited by examiner

Primary Examiner—Stella M Reid

Assistant Examiner—Keli L Hill

(74) *Attorney, Agent, or Firm*—Lando & Anastasi, LLP

(57) **CLAIM**

The ornamental design for a radio, as shown and described.

DESCRIPTION

FIG. 1 is a top perspective view of a radio design of a first embodiment;

FIG. 2 is a front elevational view thereof;

FIG. 3 is a right elevational side view thereof;

FIG. 4 is a left elevational view thereof;

FIG. 5 is a top plan view thereof;

FIG. 6 is a bottom plan view thereof;

FIG. 7 is a top perspective view of a radio design of a second embodiment;

FIG. 8 is a front elevational view thereof;

FIG. 9 is a right elevational side view thereof;

FIG. 10 is a left elevational view thereof;

FIG. 11 is a top plan view thereof; and,

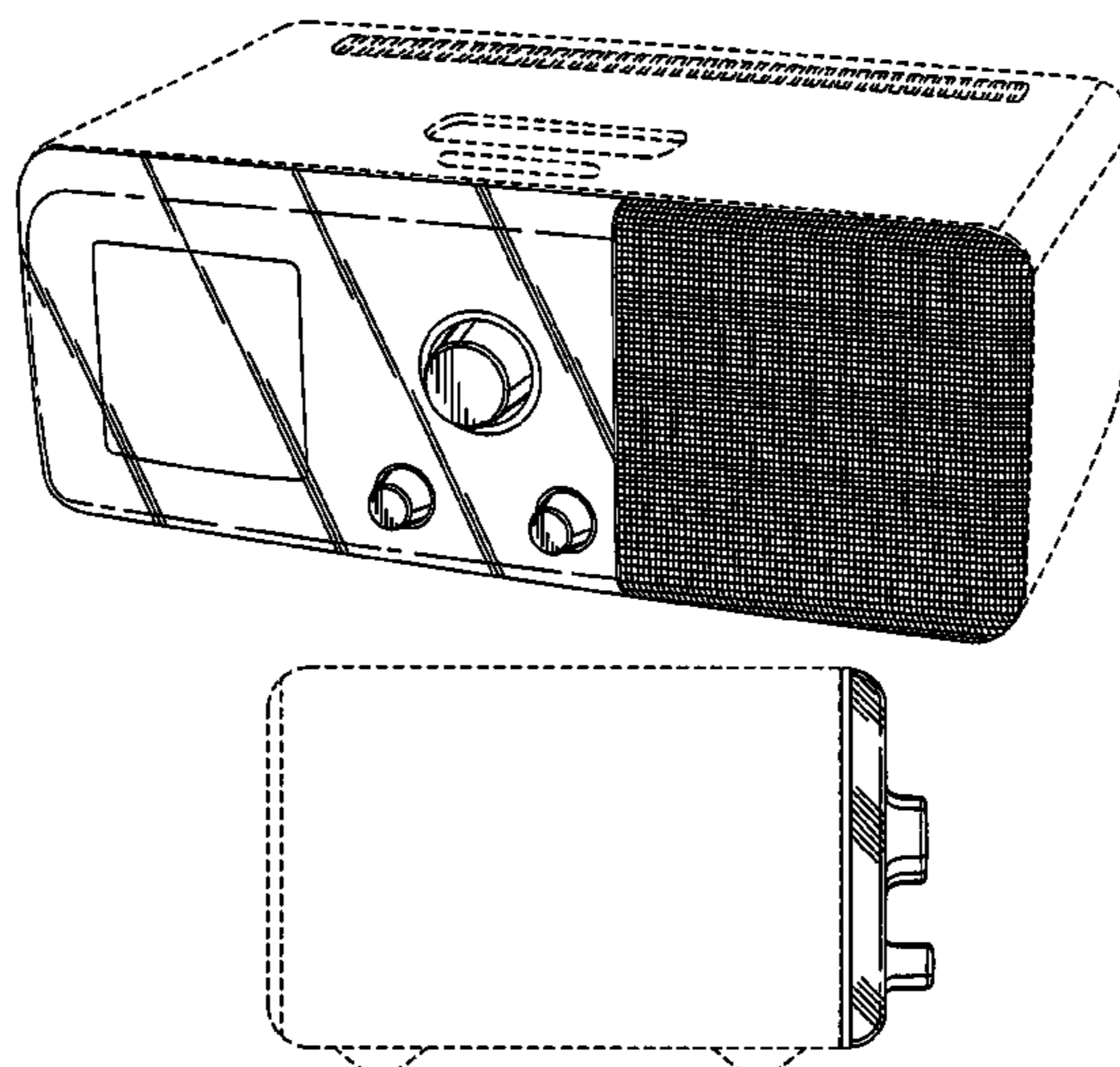
FIG. 12 is a bottom plan view thereof.

The broken lines showing portions of the radio designs in FIGS. 1–12 are for illustrative purposes only and form no part of the claimed design.

The shading showing portions of the radio designs in FIGS. 1, 2, 4–8 and 10–12 are intended to designate smooth and glossy surfaces.

The cross-hatched lines showing portions of the radio designs in FIGS. 1–3, 5–9, 11 and 12 are intended to designate textured surfaces.

1 Claim, 8 Drawing Sheets



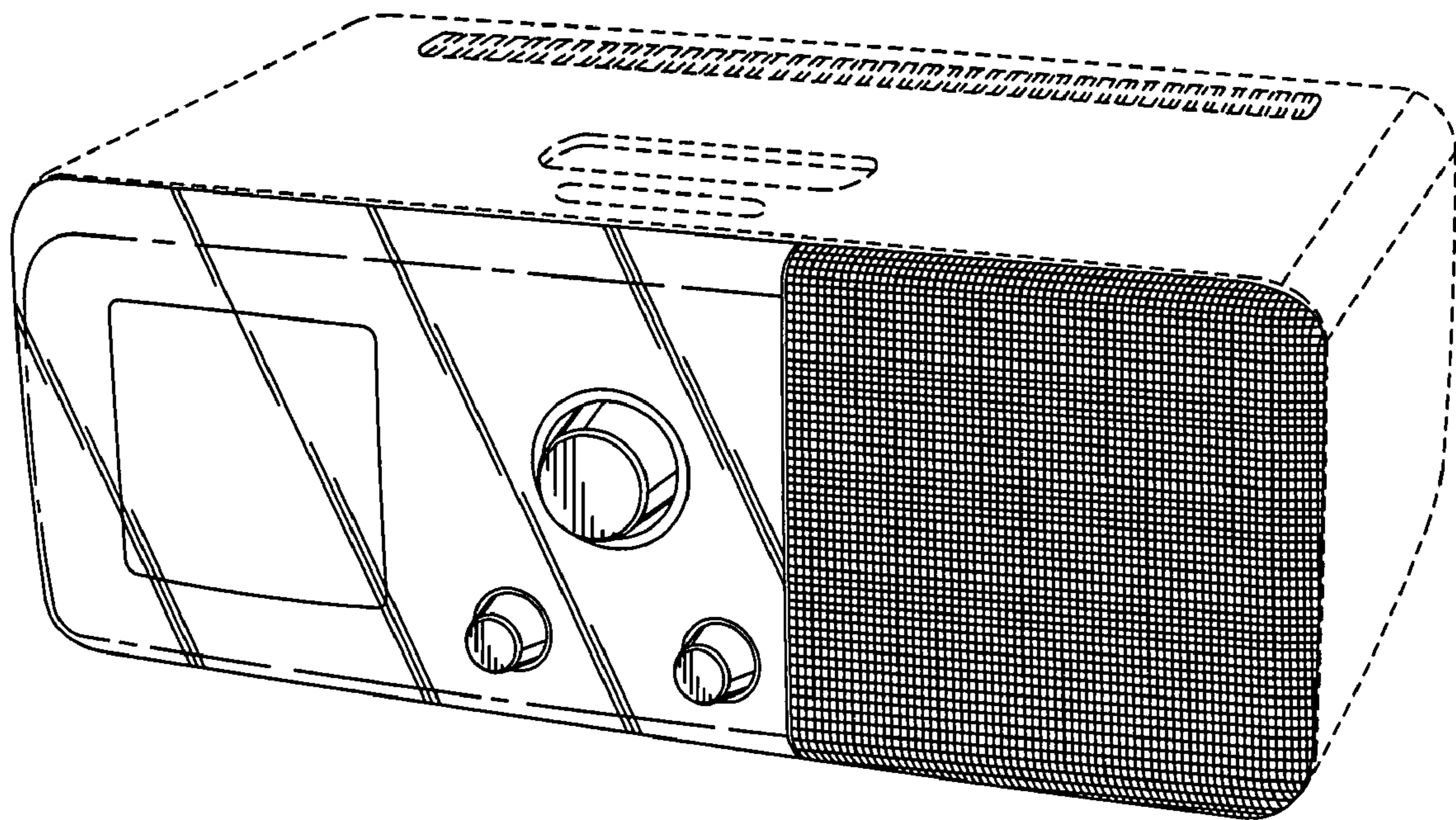


FIG. 1

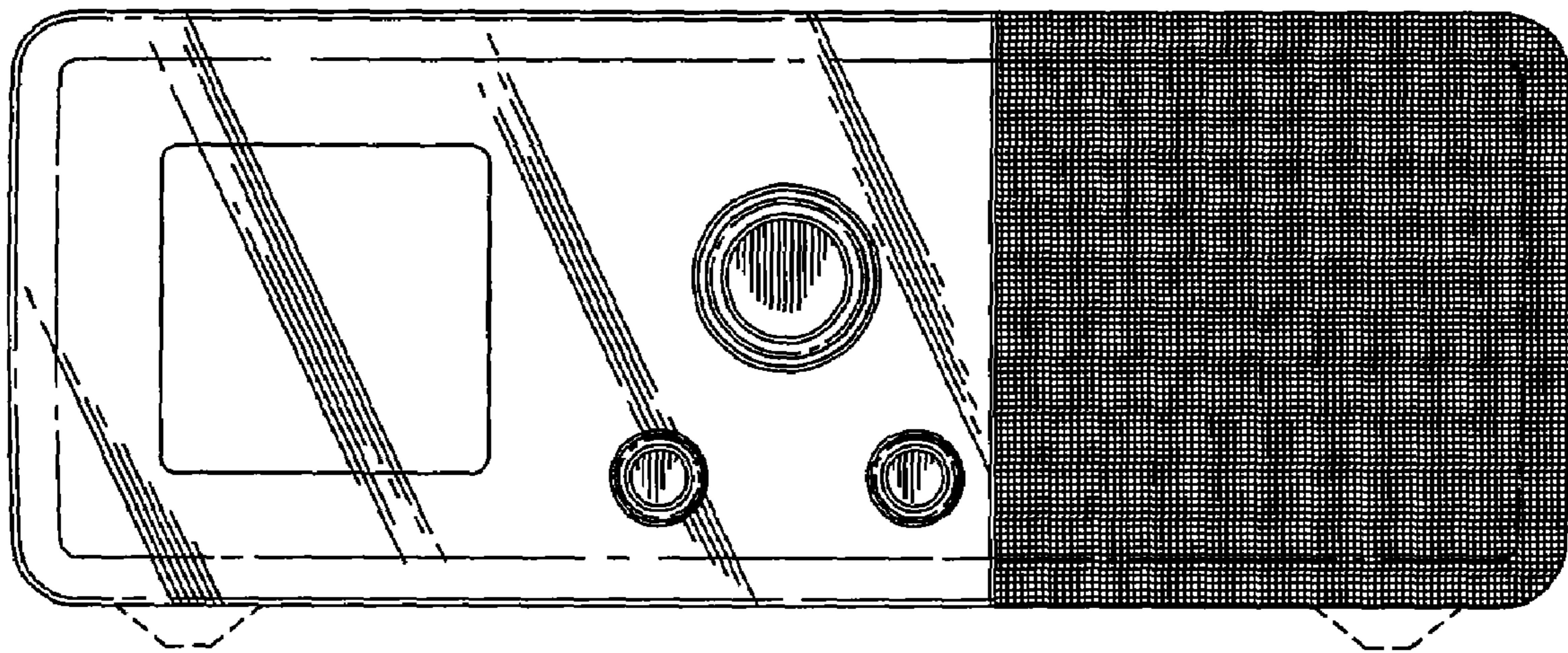


FIG. 2

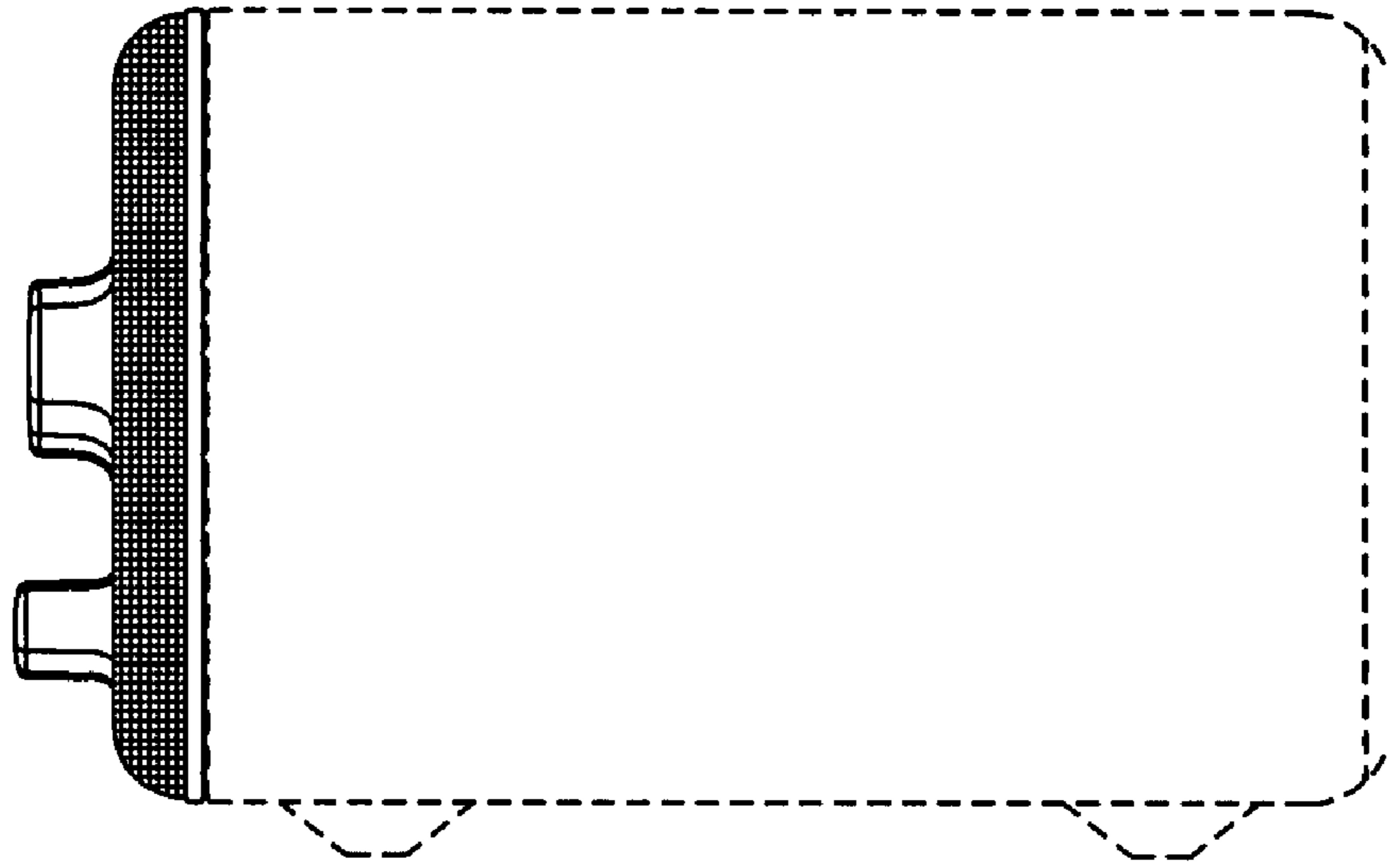


FIG. 3



FIG. 4

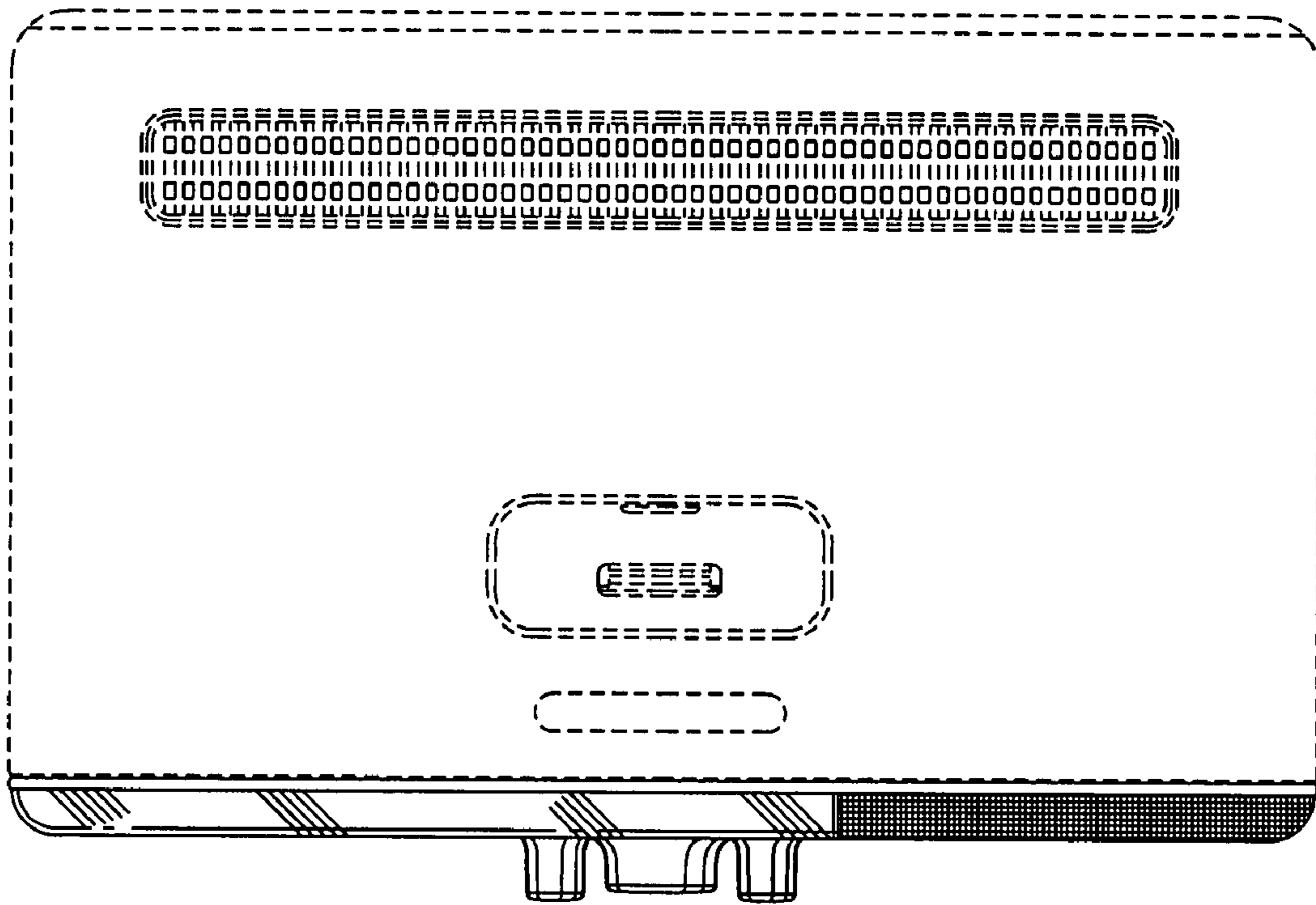


FIG. 5

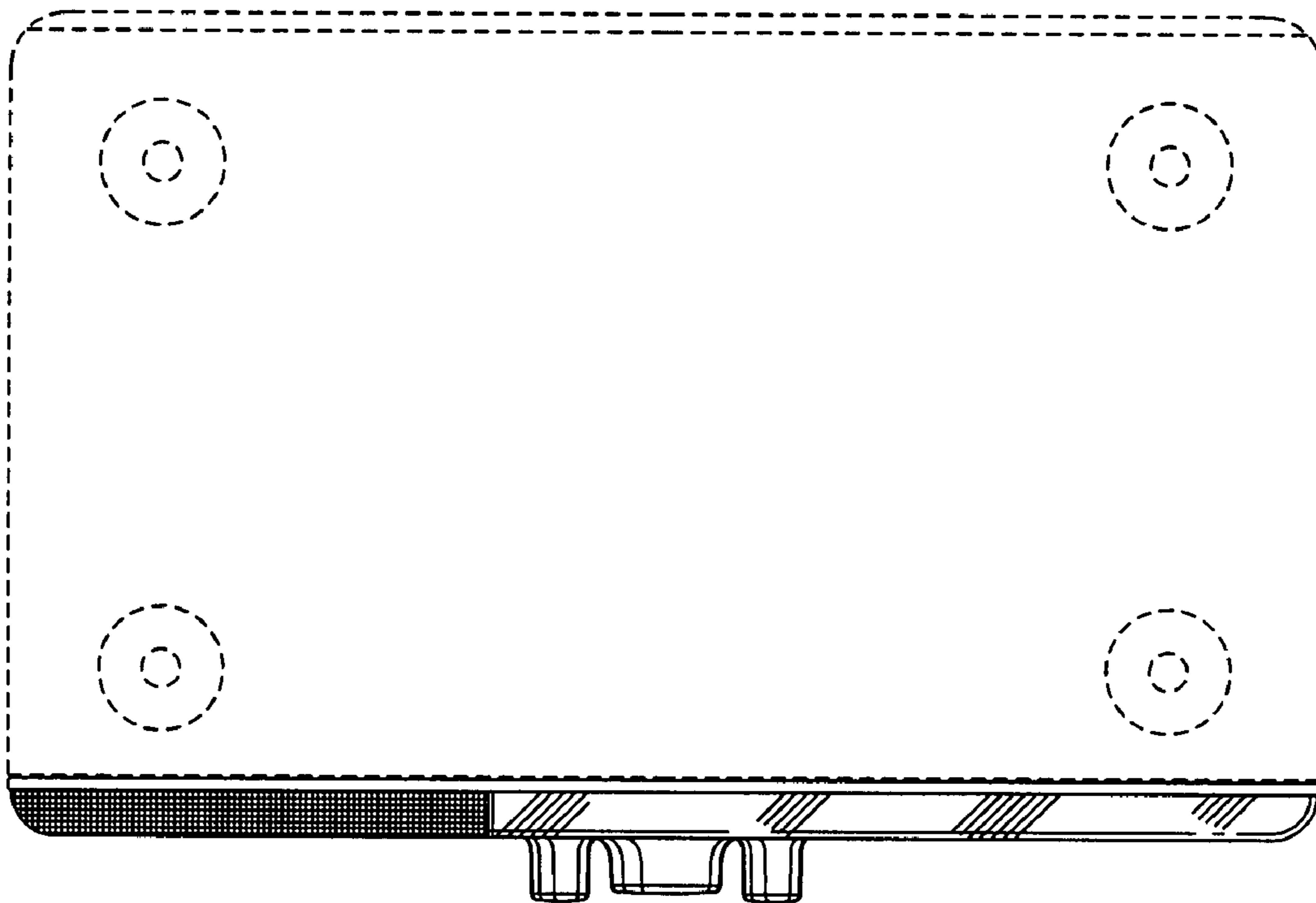


FIG. 6

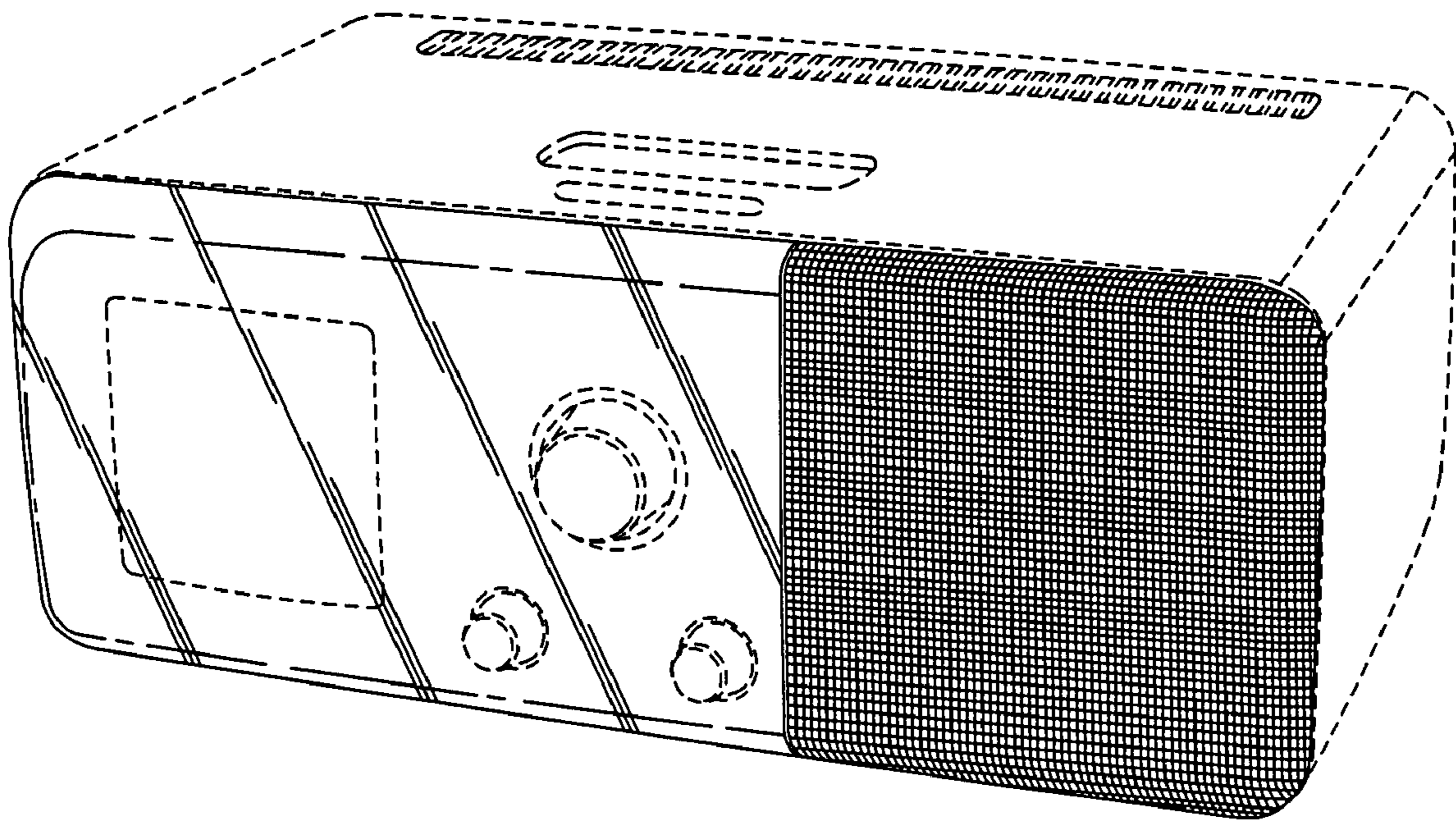


FIG. 7

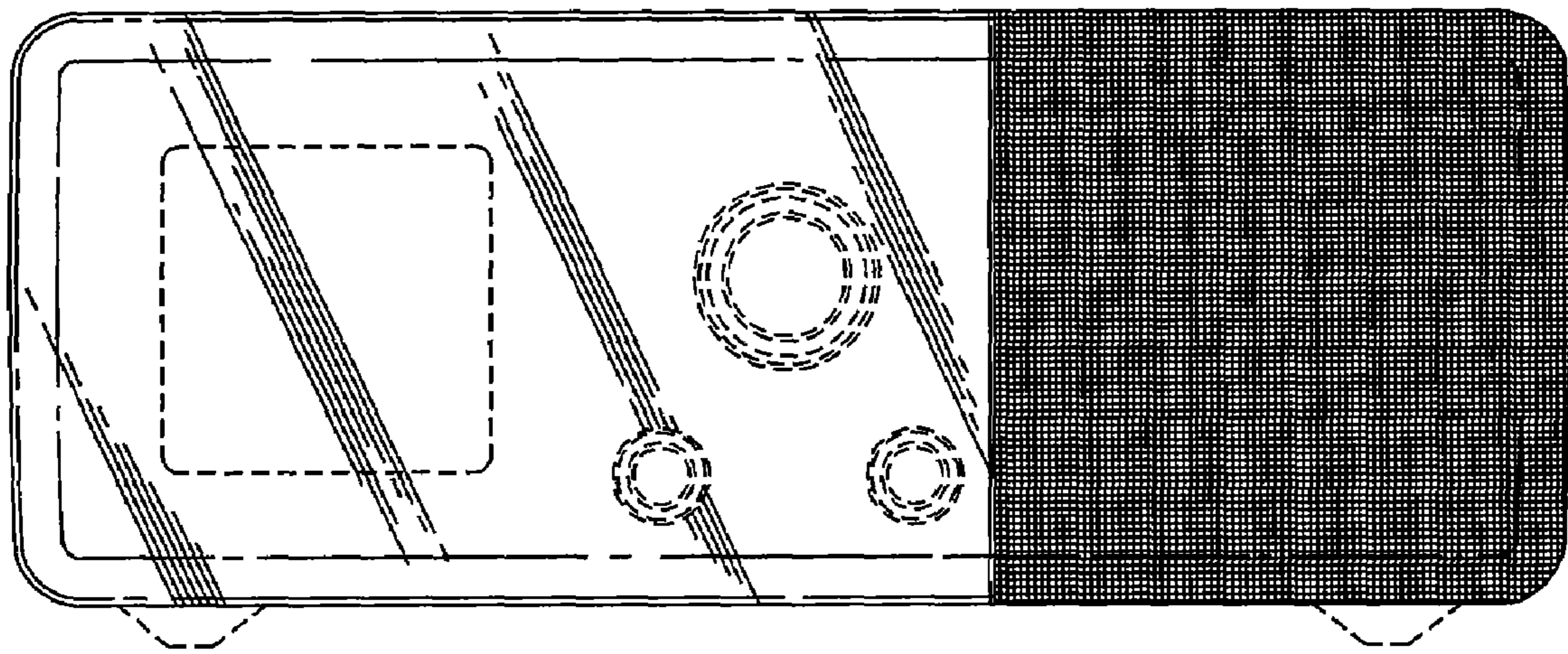


FIG. 8

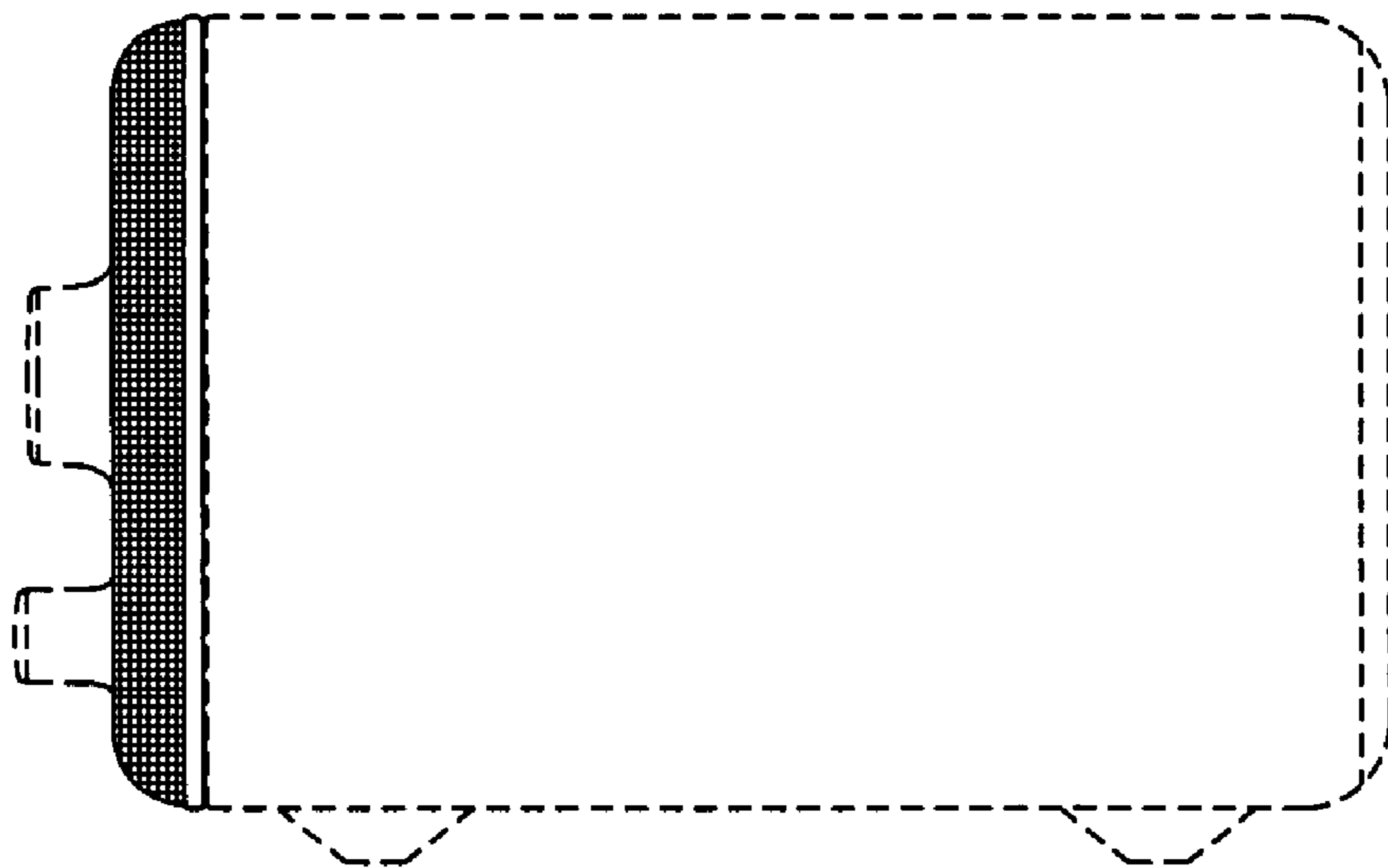


FIG. 9



FIG. 10

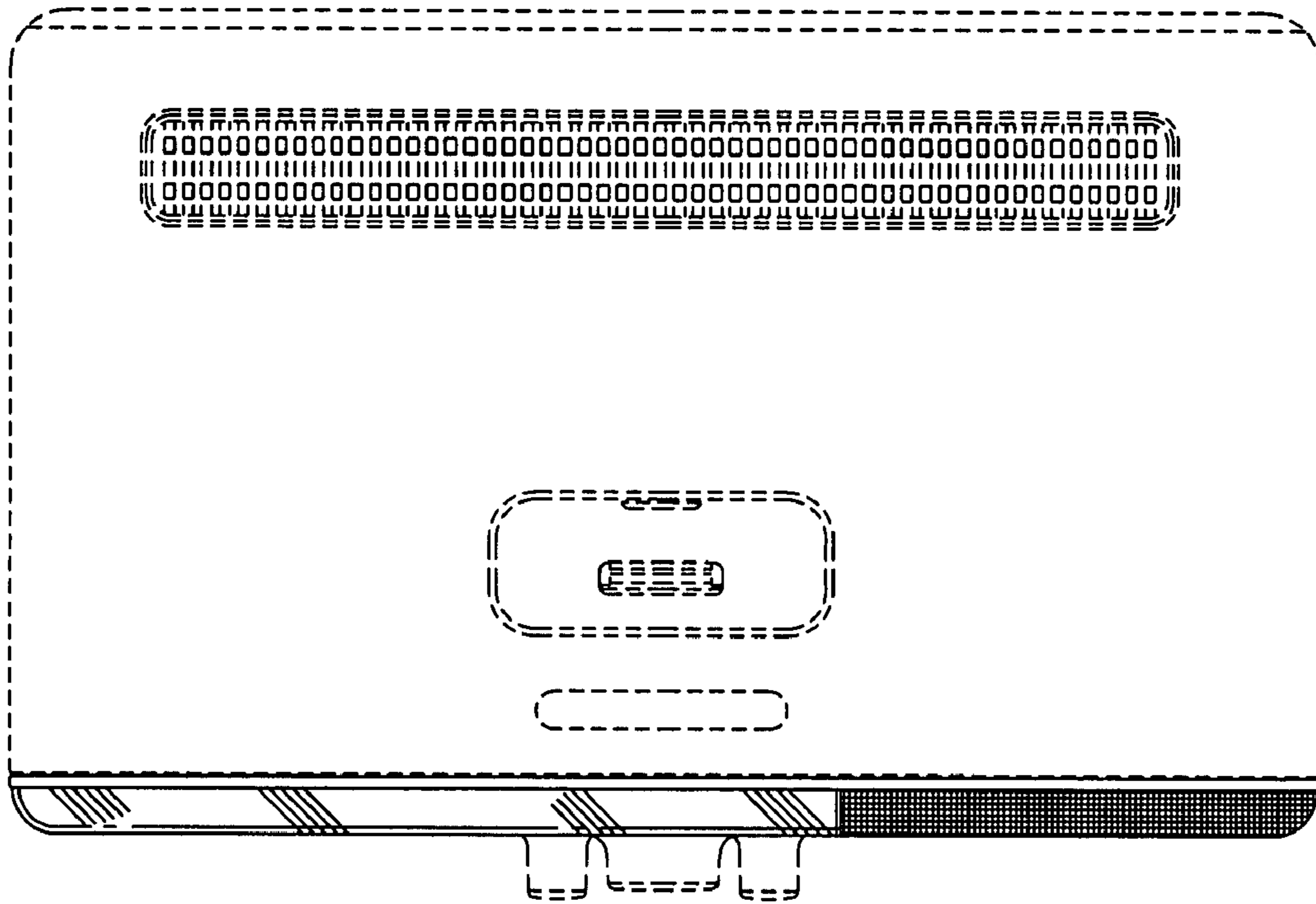


FIG. 11

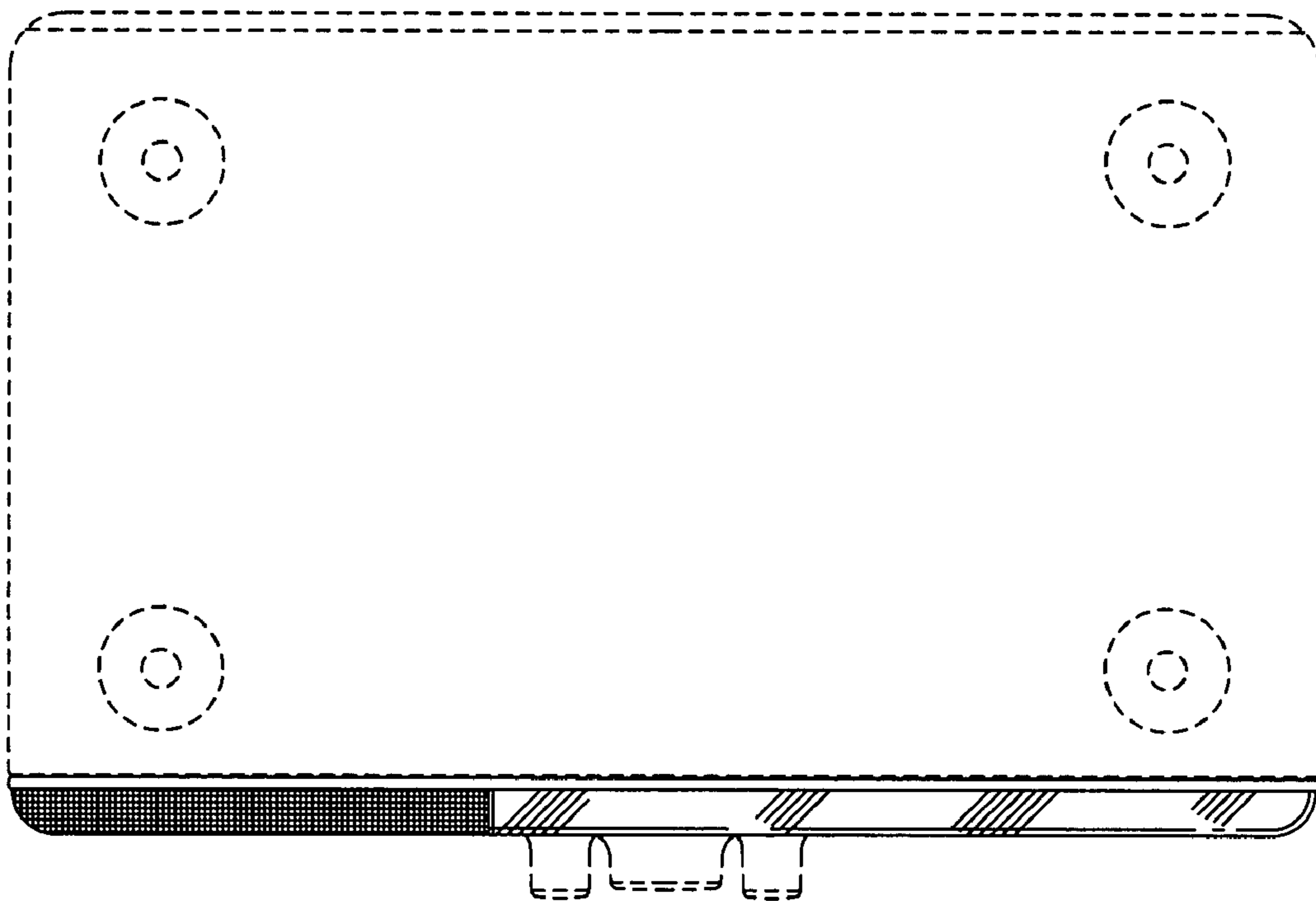


FIG. 12