



US00D597055S

(12) **United States Design Patent**
Ladouceur et al.

(10) **Patent No.:** **US D597,055 S**
(45) **Date of Patent:** **** Jul. 28, 2009**

(54) **MOBILE COMMUNICATION DEVICE**

(75) Inventors: **Norman Ladouceur**, Waterloo (CA);
Jason Griffin, Kitchener (CA); **Roman Rak**, Waterloo (CA)

(73) Assignee: **Research in Motion Limited**, Waterloo, Ontario (CA)

(**) Term: **14 Years**

(21) Appl. No.: **29/324,041**

(22) Filed: **Sep. 5, 2008**

(51) **LOC (9) Cl.** **14-03**

(52) **U.S. Cl.** **D14/138 AB; D14/345; D14/346**

(58) **Field of Classification Search** D14/138 AB, D14/496, 341-347, 191; 455/575.3; D10/40
See application file for complete search history.

(56) **References Cited**

U.S. PATENT DOCUMENTS

D385,802	S	*	11/1997	Jorss	D10/33
5,724,667	A	*	3/1998	Furuno	455/575.2
6,067,459	A	*	5/2000	Lincoln et al.	455/566
D468,279	S	*	1/2003	Kim et al.	D14/138 AB
D475,987	S	*	6/2003	Lee et al.	D14/138 AB
6,662,244	B1	*	12/2003	Takahashi	710/14
6,775,560	B2	*	8/2004	King et al.	455/566
D499,424	S	*	12/2004	Bahroocha	D14/203.7
D500,252	S	*	12/2004	Hsu	D10/18
D512,073	S	*	11/2005	Rodarte	D14/203.4
7,016,703	B2	*	3/2006	Kishimoto et al.	455/566
D525,230	S	*	7/2006	Kim et al.	D14/138 AB
D529,823	S	*	10/2006	Tien	D10/2
D531,157	S	*	10/2006	Lheem	D14/138 AB
D531,771	S	*	11/2006	Kim et al.	D32/25
D548,210	S	*	8/2007	Lewis	D14/138 AB
7,263,391	B2	*	8/2007	Sugiyama et al.	455/575.3
D561,719	S	*	2/2008	Cho	D14/138 AB
D566,671	S	*	4/2008	Lee	D14/138 AA
D571,345	S	*	6/2008	Kim et al.	D14/138 AB
D573,575	S	*	7/2008	Song et al.	D14/138 AB

D576,139	S	*	9/2008	Rihu et al.	D14/138 AA
D584,268	S	*	1/2009	Kim	D14/138 AB
D584,276	S	*	1/2009	Kim et al.	D14/138 AB
2004/0121800	A1	*	6/2004	Nagata	455/550.1
2007/0191077	A1	*	8/2007	Shin	455/575.3

OTHER PUBLICATIONS

NEC e808 telephone, announced 1st quarter 2003, [online], [site visited Jan. 19, 2009]. Available from Internet, <URL: <http://www.gsmarena.com>>.*

(Continued)

Primary Examiner—Jeffrey D Asch

(74) *Attorney, Agent, or Firm*—Stephen J. Perry; Perry + Currier Inc.

(57) **CLAIM**

The ornamental design for a mobile communication device, as shown and described.

DESCRIPTION

FIG. 1 is a top perspective view of a mobile communication device showing our new design;

FIG. 2 is a bottom perspective view thereof;

FIG. 3 is a left side elevation view thereof;

FIG. 4 is a front elevation view thereof;

FIG. 5 is a right side elevation view thereof;

FIG. 6 is a rear elevation view thereof;

FIG. 7 is a top plan view thereof;

FIG. 8 is a bottom plan view thereof;

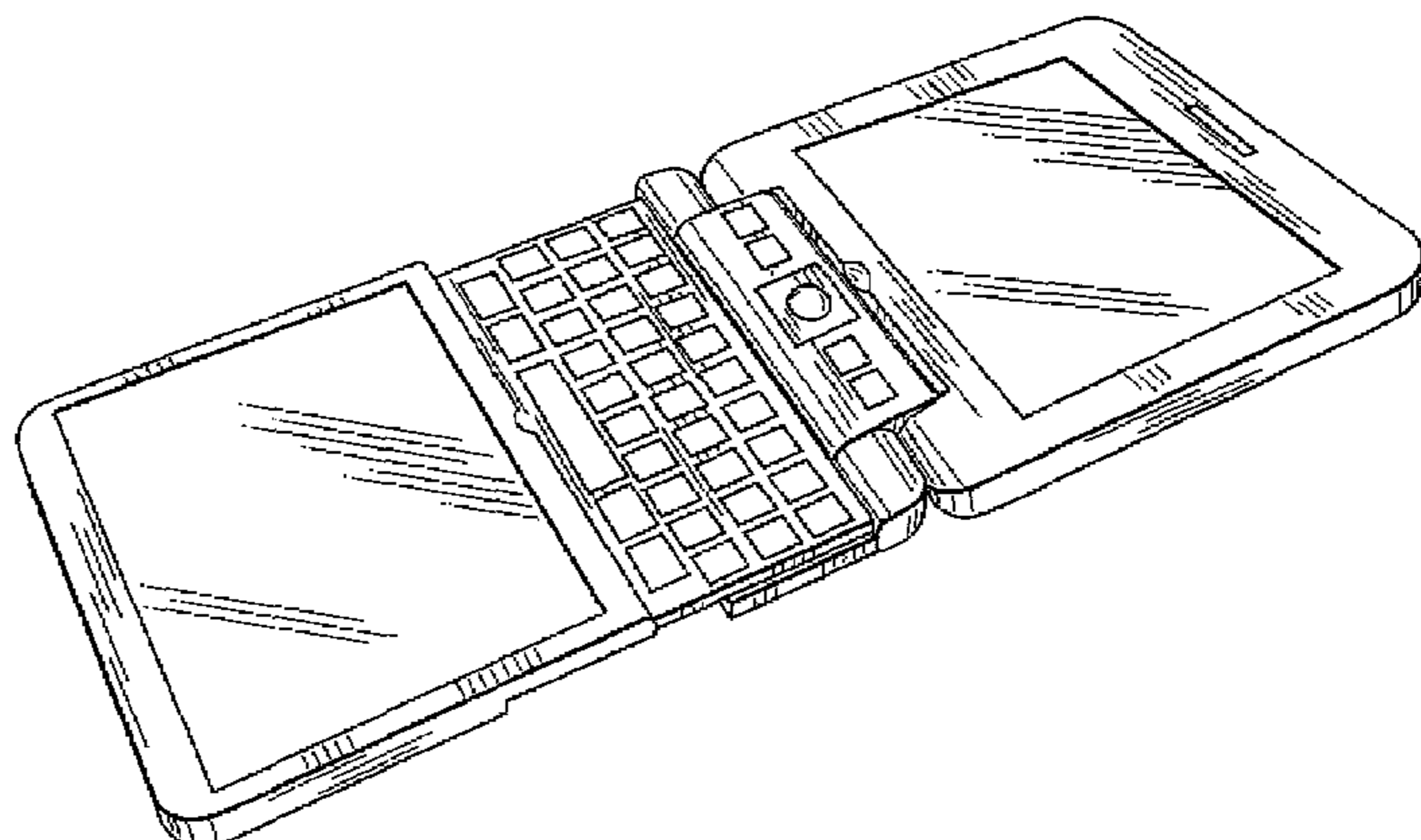
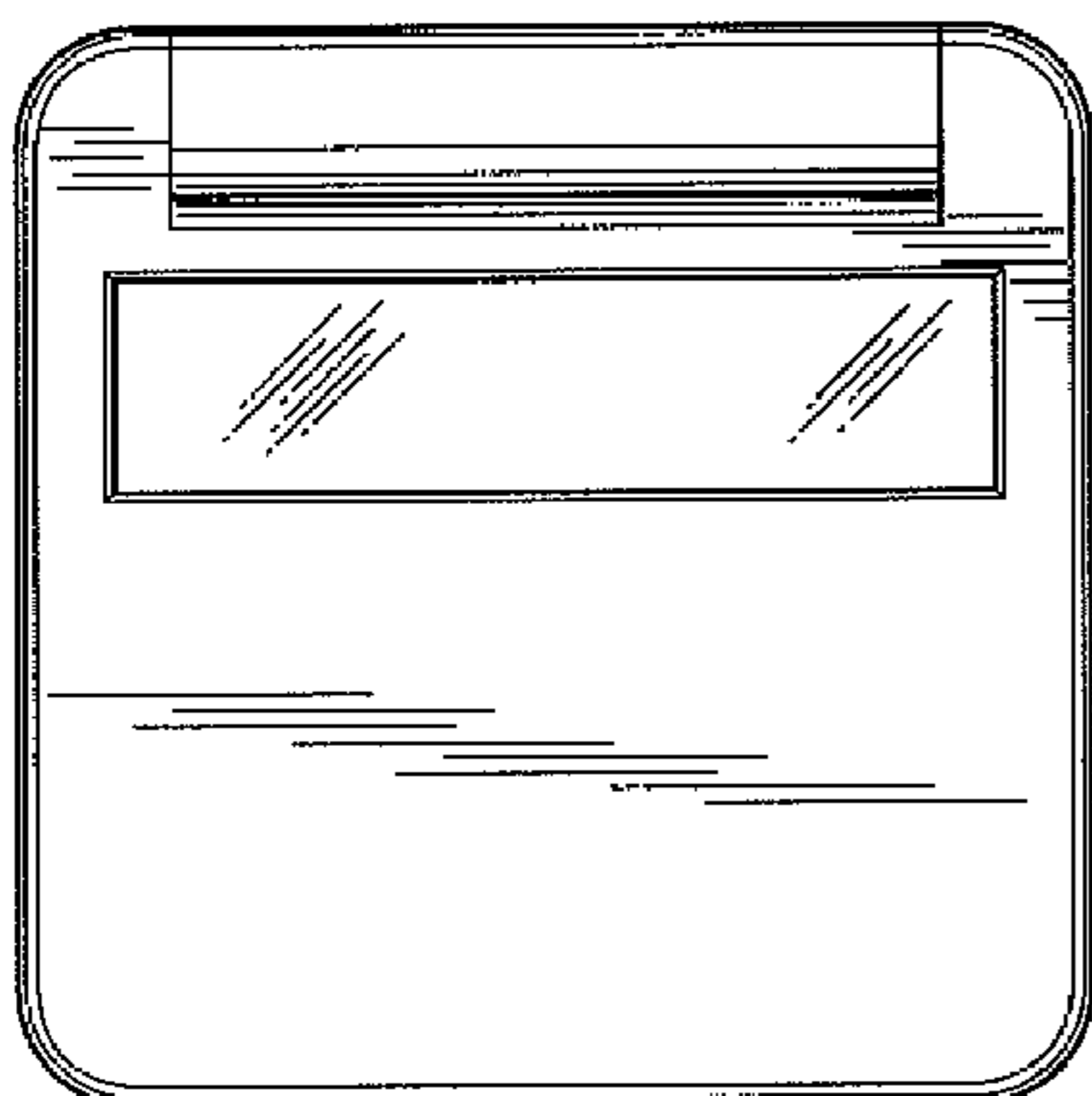
FIG. 9 is a top perspective view thereof in a partially open position;

FIG. 10 is a top perspective view thereof in a fully open position;

FIG. 11 is a top perspective view thereof in an expanded fully open position; and,

FIG. 12 is a bottom perspective view thereof in an expanded fully open position.

1 Claim, 5 Drawing Sheets



OTHER PUBLICATIONS

Samsung Serene telephone, announced Oct. 2005, [online], [site visited Jan. 19, 2009]. Available from Internet ,<URL: <http://www.gsmarena.com>>.*

NEC 910 telephone, announced 1st quarter 2004, [online], [site visited Jan. 19, 2009]. Available from Internet ,<URL: <http://www.gsmarena.com>>.*

* cited by examiner

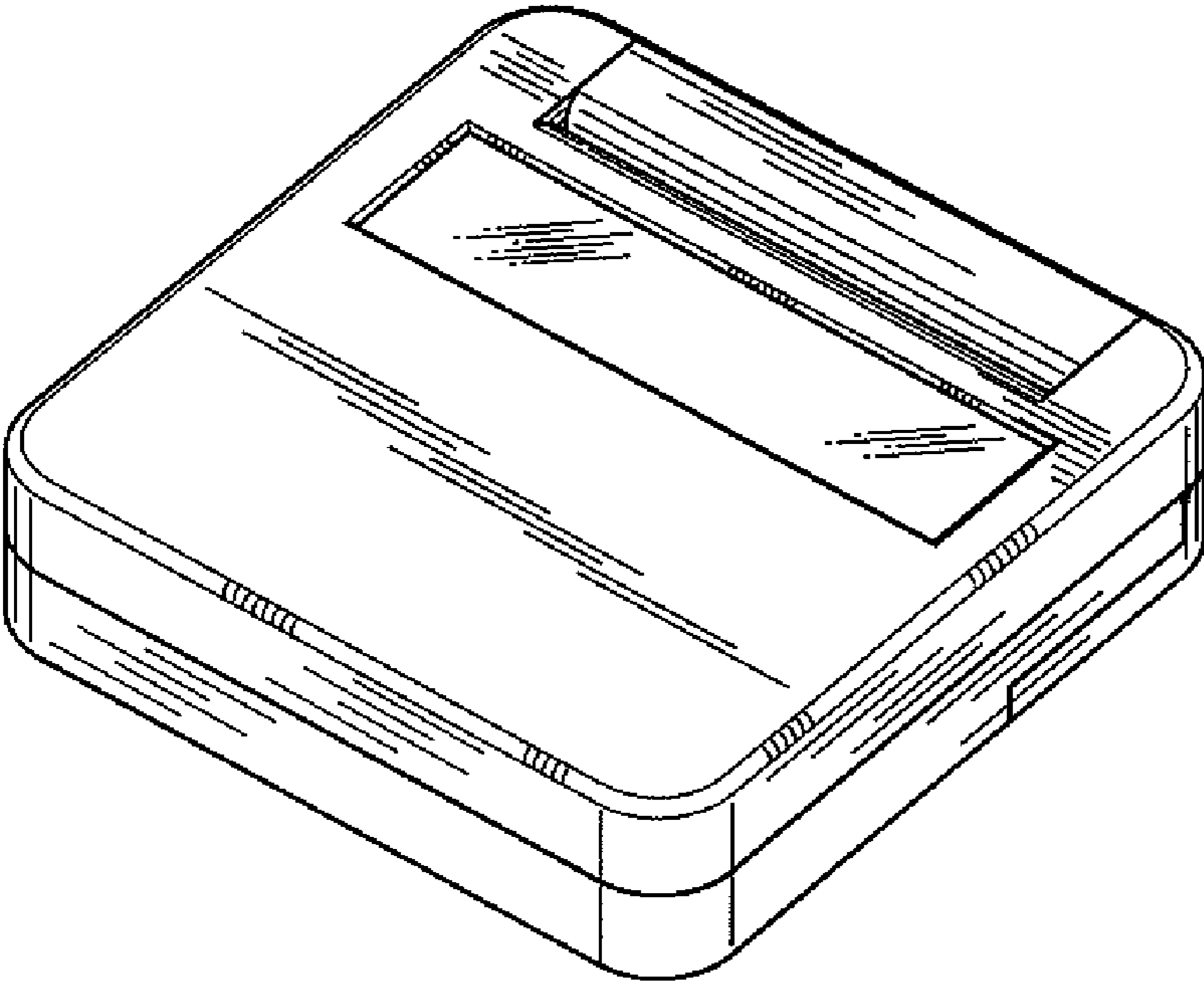


FIG. 1

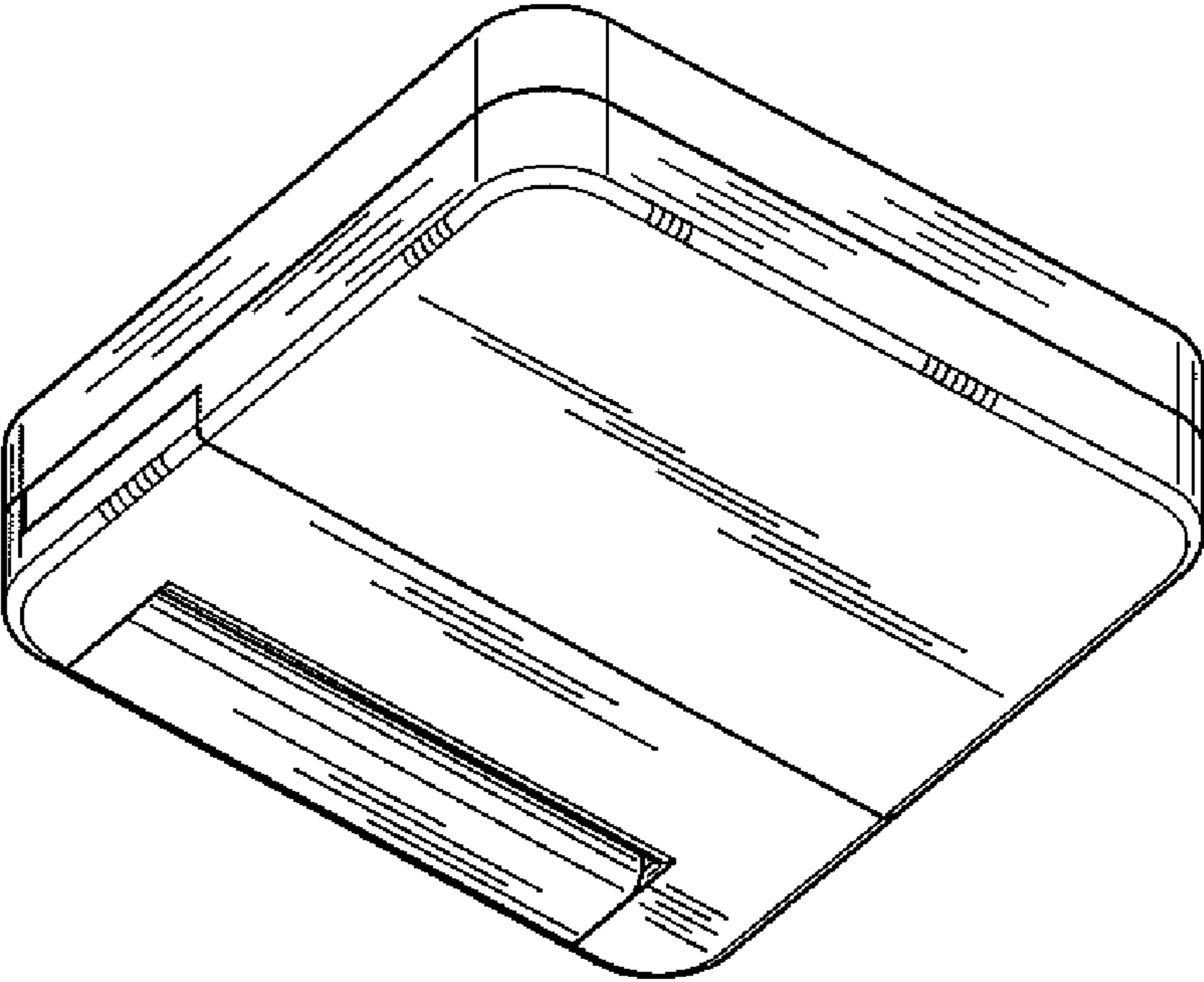


FIG. 2

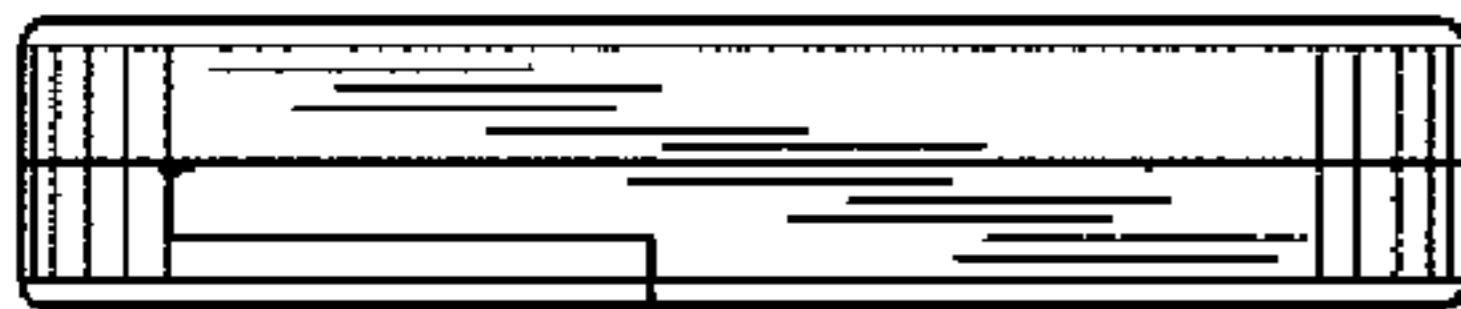


FIG. 3

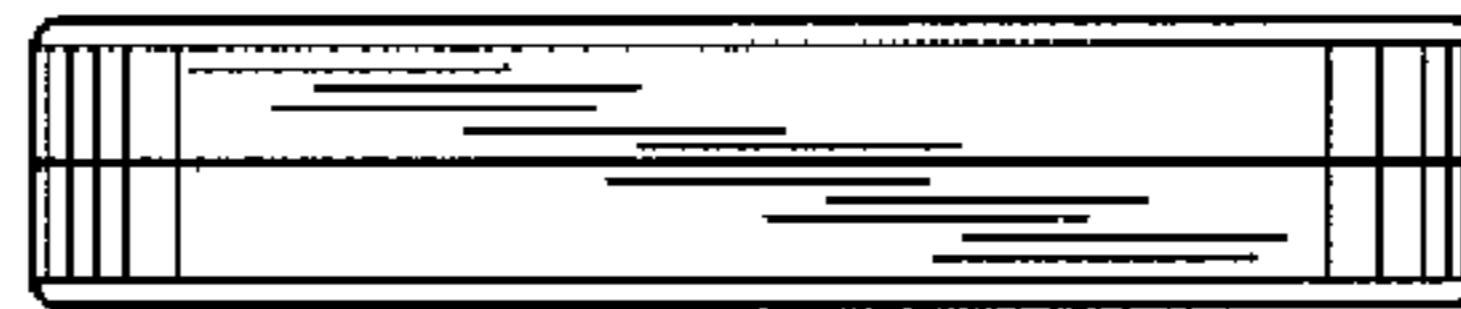


FIG. 4

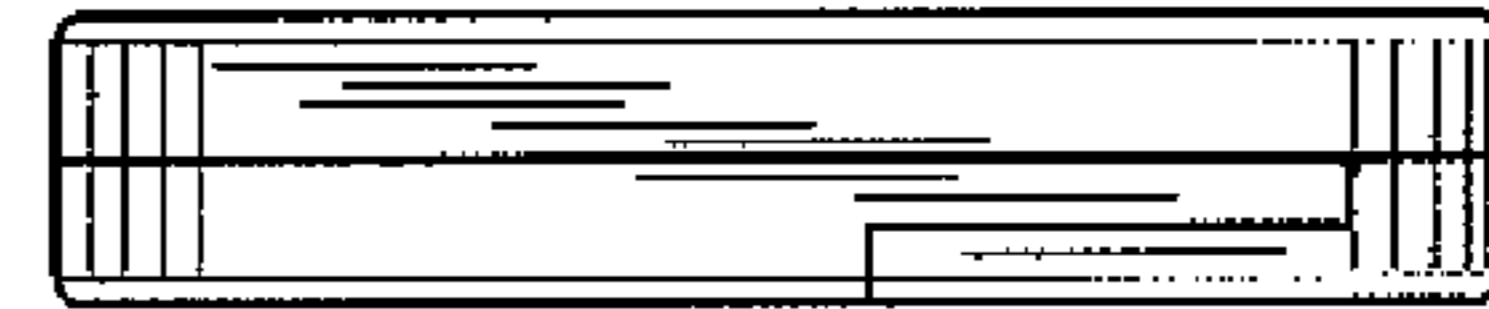


FIG. 5

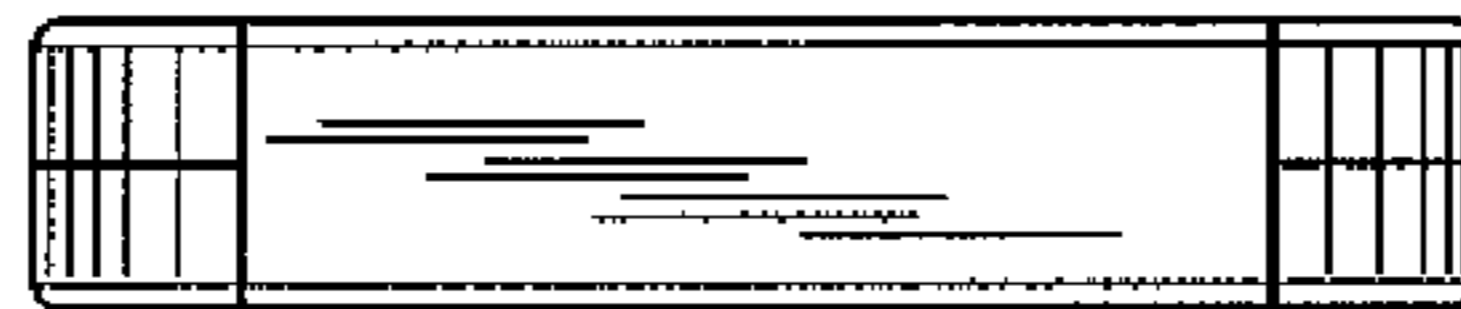


FIG. 6

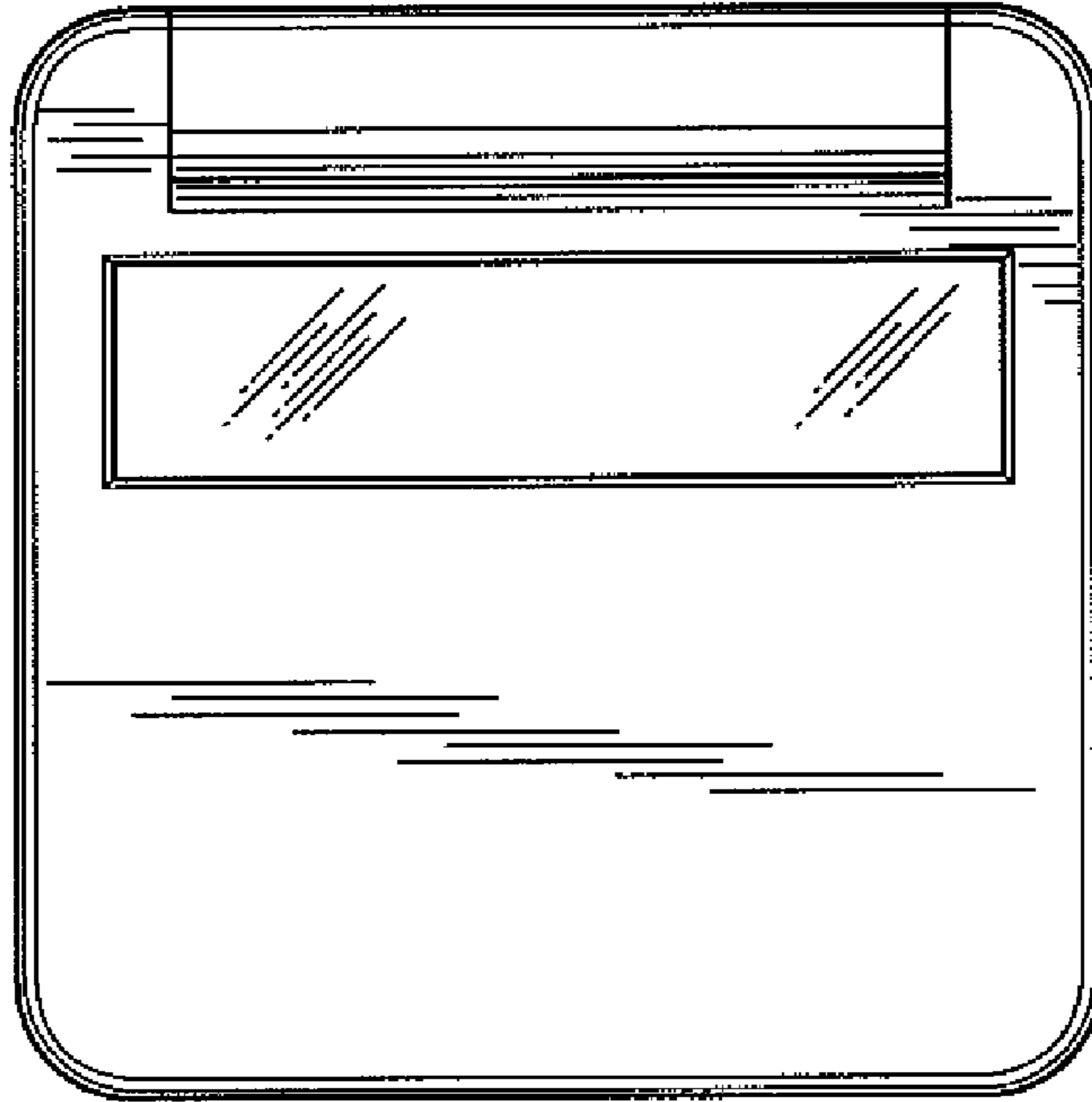


FIG. 7

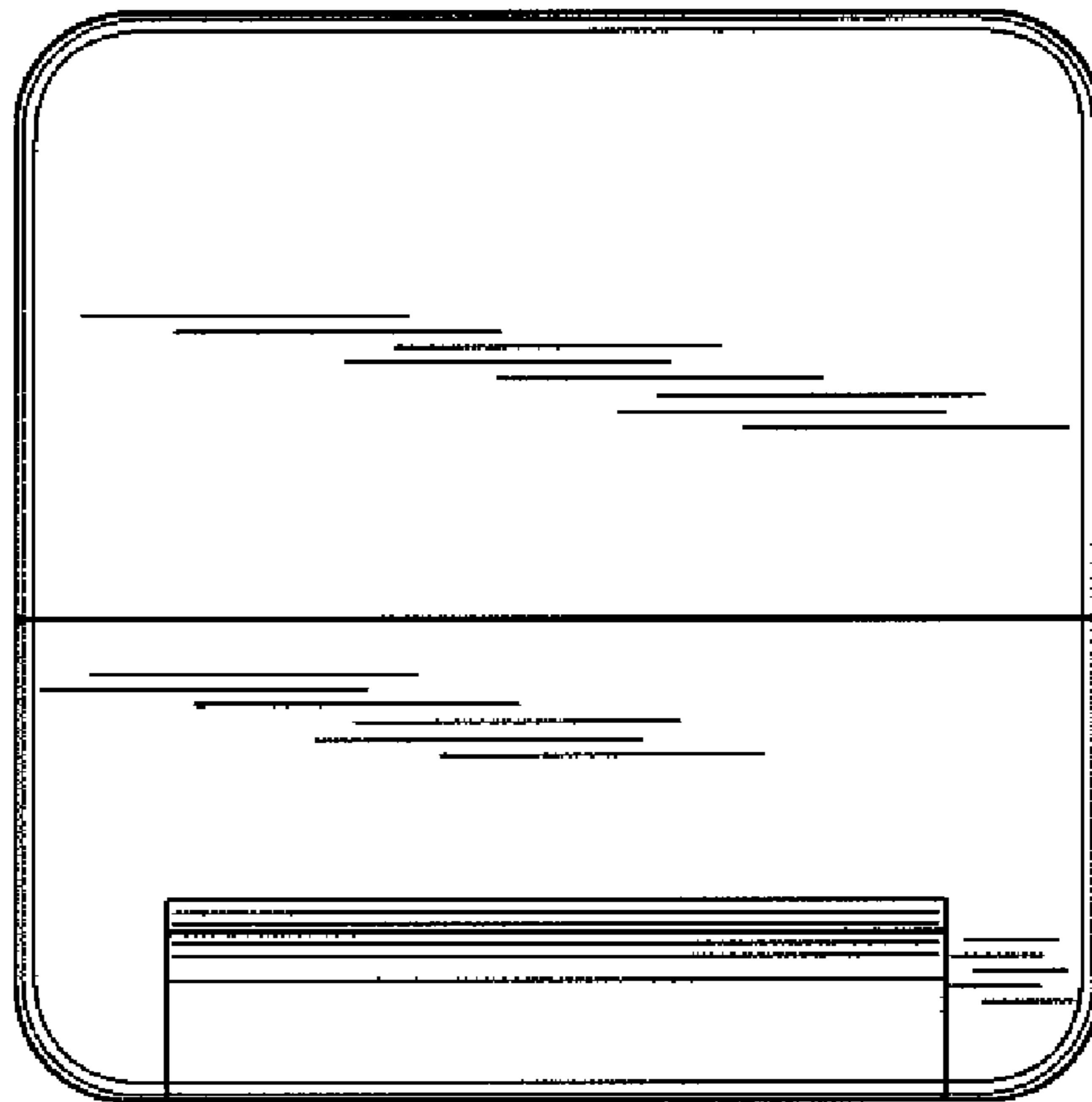


FIG. 8

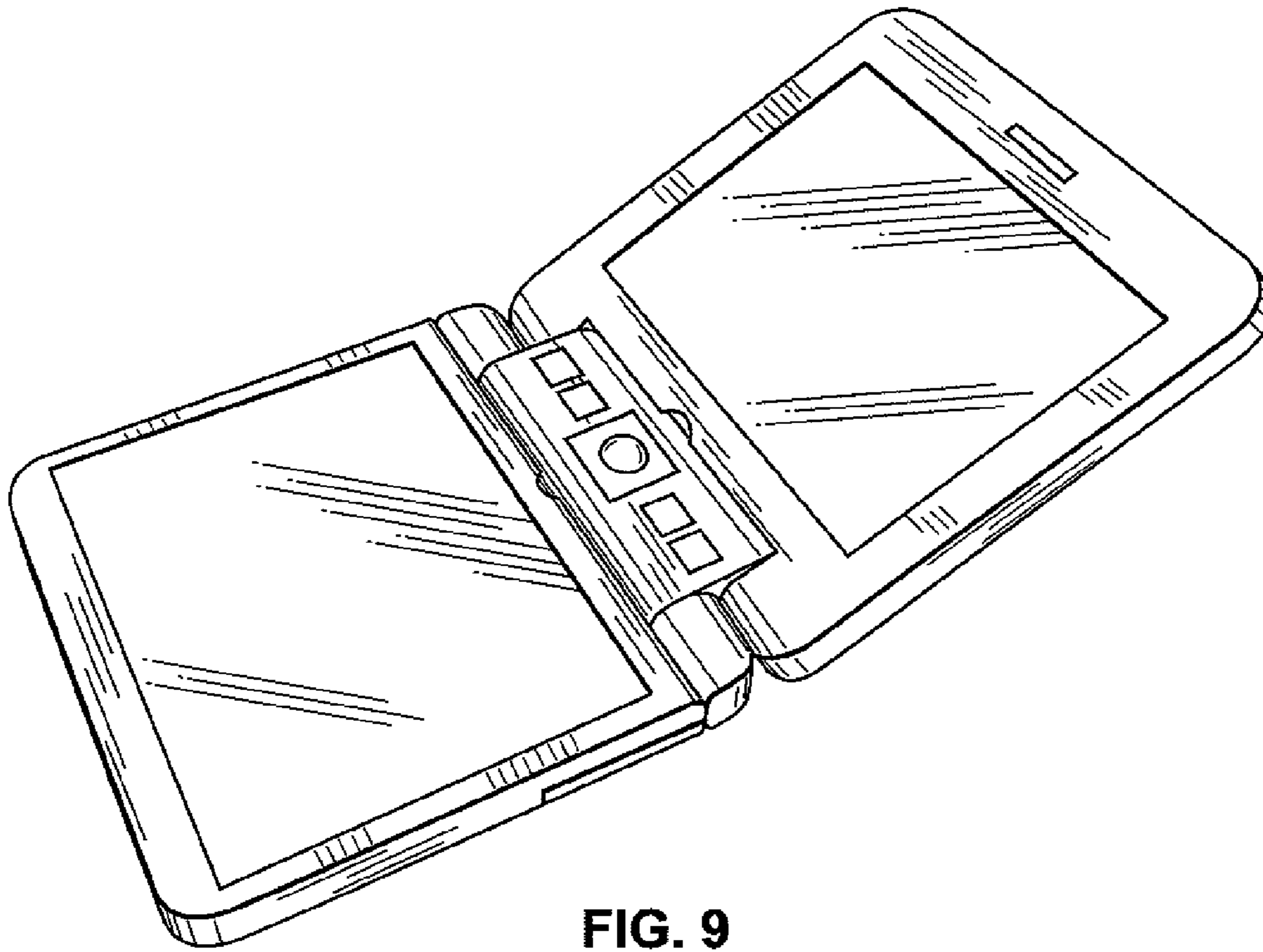


FIG. 9

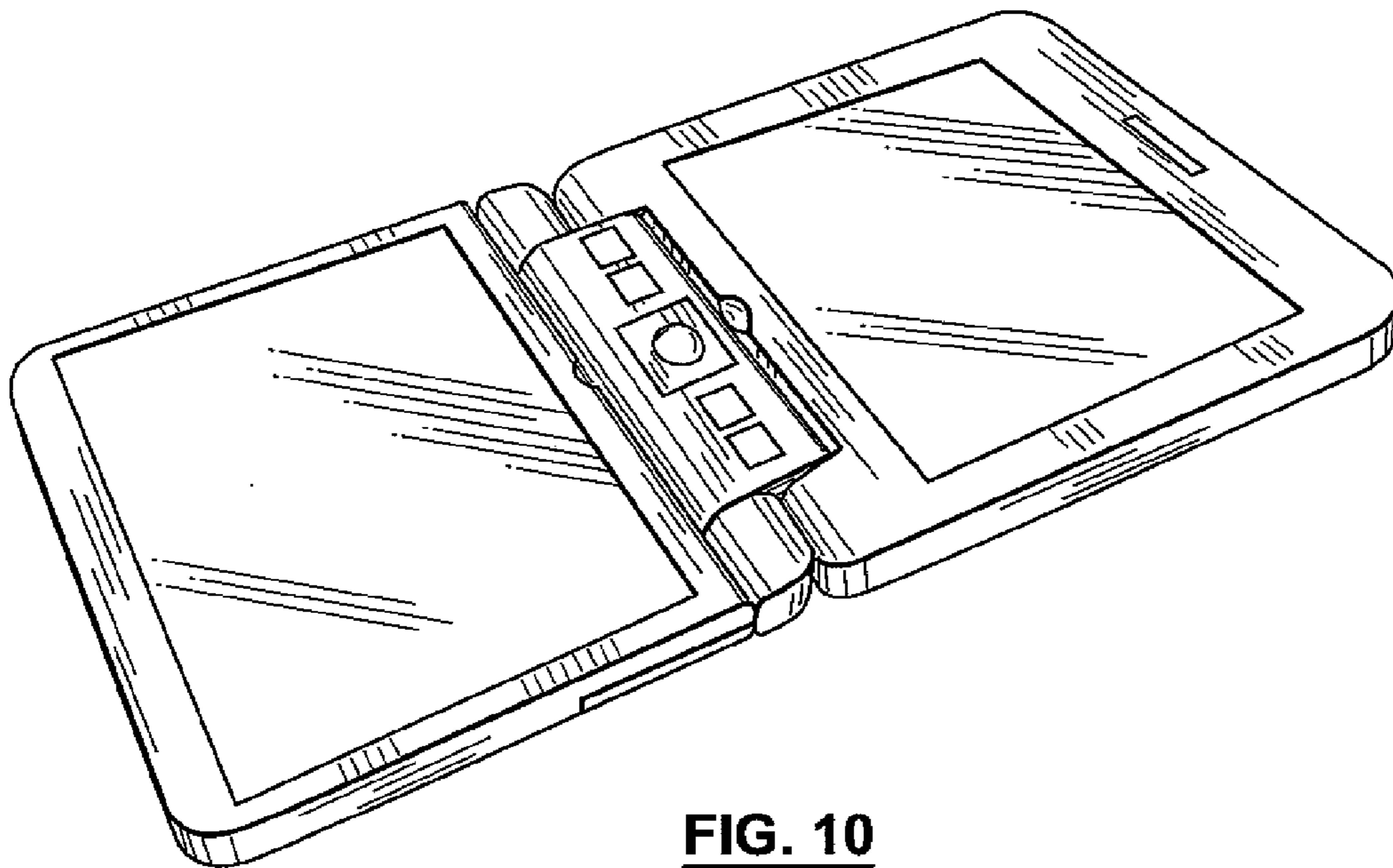


FIG. 10

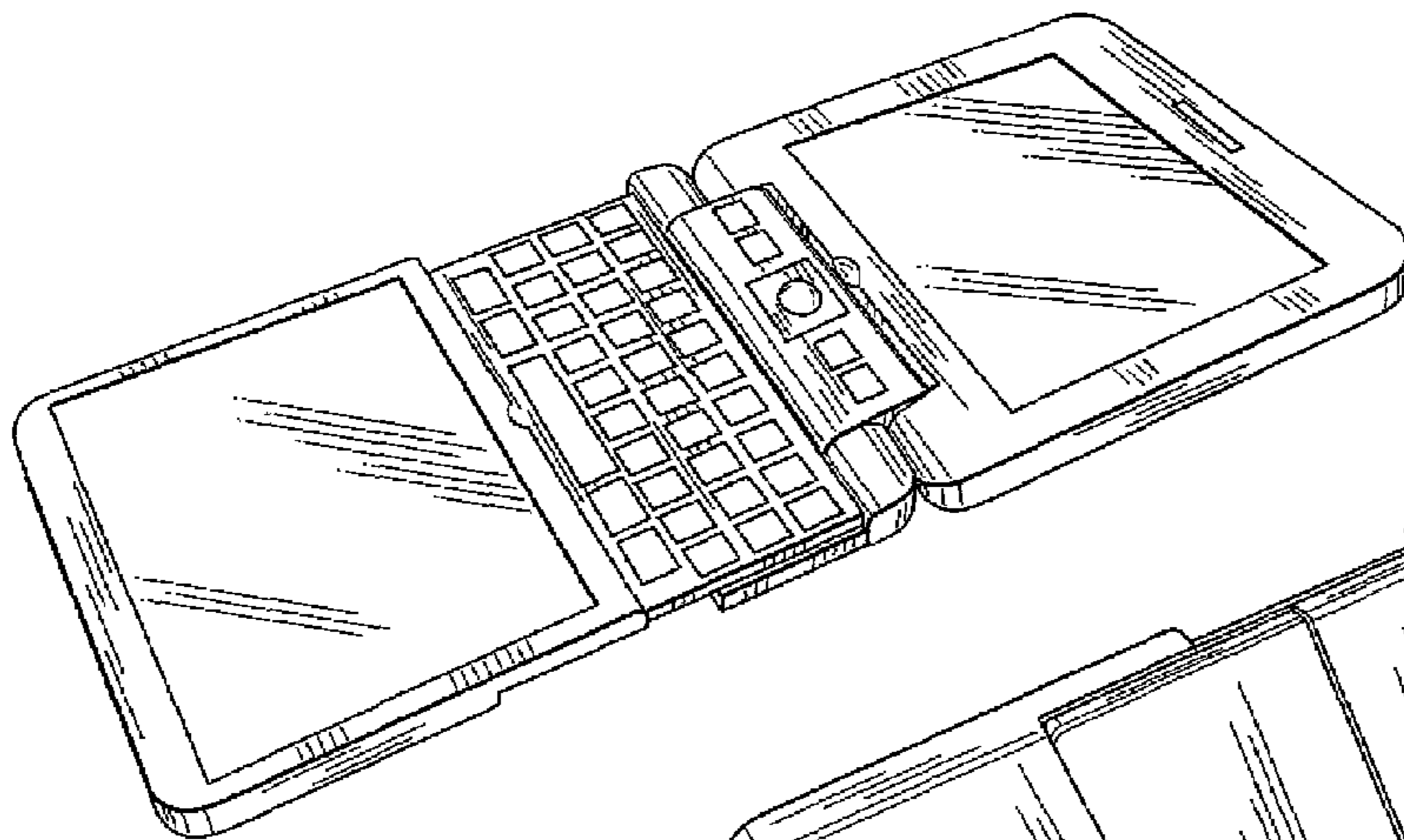


FIG. 11

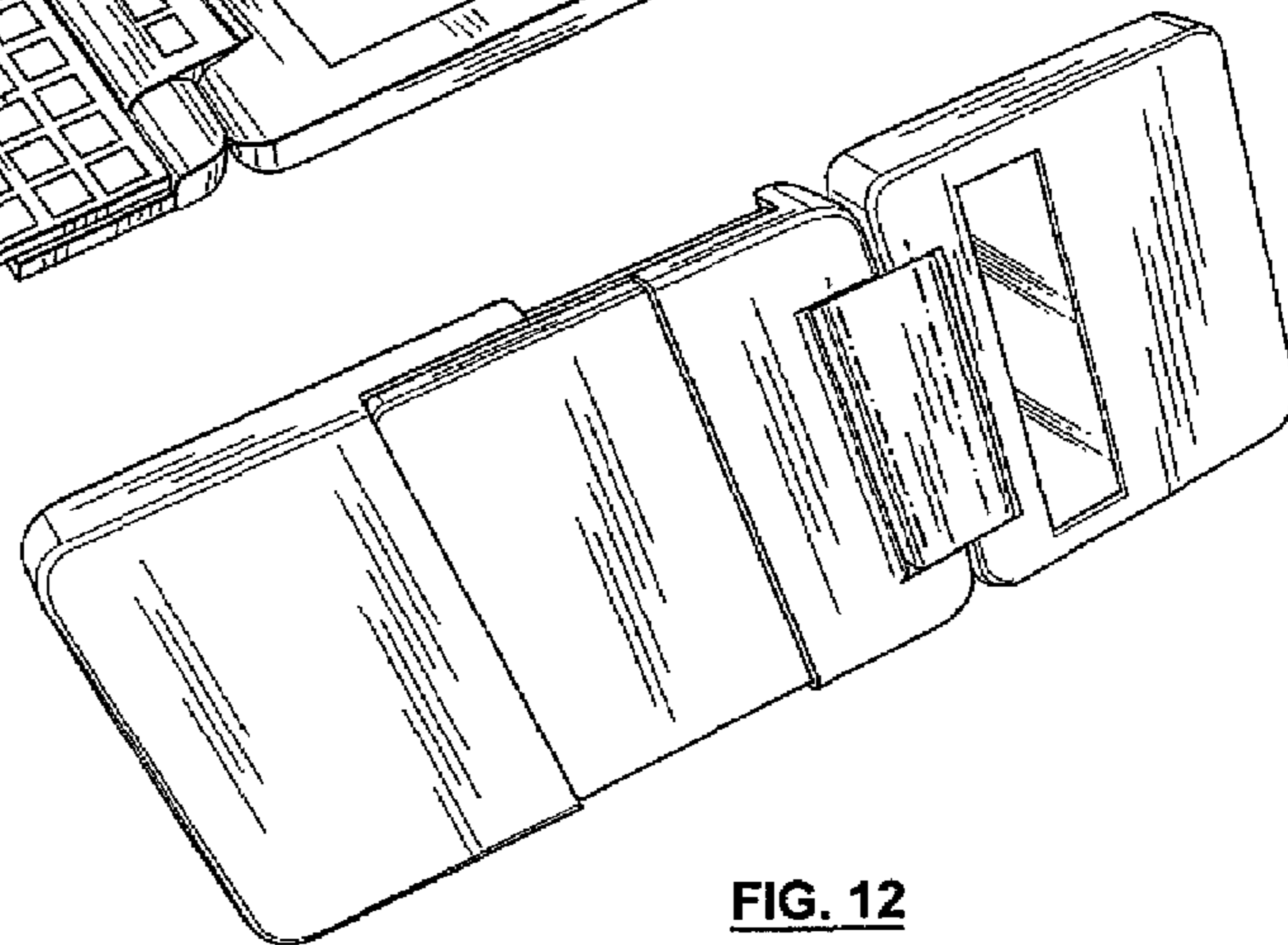


FIG. 12