



US00D597051S

(12) **United States Design Patent**
Kim et al.

(10) **Patent No.:** **US D597,051 S**
(45) **Date of Patent:** **** Jul. 28, 2009**

(54) **MOBILE PHONE**

(75) Inventors: **Kang-Moon Kim**, Seoul (KR);
Young-Ju Yeo, Seoul (KR); **Chang-Soo Lee**, Incheon (KR)

(73) Assignee: **Samsung Electronics Co., Ltd.**,
Suwon-Si (KR)

(**) Term: **14 Years**

(21) Appl. No.: **29/320,789**

(22) Filed: **Jul. 3, 2008**

(30) **Foreign Application Priority Data**

Mar. 19, 2008 (KR) 30-2008-0011802

(51) **LOC (9) Cl.** **14-03**

(52) **U.S. Cl.** **D14/138 AA**

(58) **Field of Classification Search** D14/137,
D14/138 AA, 138 AB, 138 AC, 138 AD,
D14/138 C, 138 G, 138 R, 147-148, 156,
D14/191, 218, 247-248, 341-347, 390, 399,
D14/455-456, 496; D16/208; D21/329,
D21/331, 333, 517; 348/14.01-14.02; 361/814;
379/433.01-433.13; 455/90.3, 556.1-556.2,
455/566, 575.1, 575.3, 575.4; D13/164,
D13/168; 439/165; 343/702; 345/167, 168,
345/169; D10/65, 78, 104; D18/7

See application file for complete search history.

(56) **References Cited**

U.S. PATENT DOCUMENTS

D532,767 S * 11/2006 Yoshino et al. D14/138 AA
D541,246 S * 4/2007 Kim et al. D14/138 AA
D550,193 S * 9/2007 Kim et al. D14/138 AA
D555,141 S * 11/2007 Ho D14/138 AA
D556,170 S * 11/2007 Lee et al. D14/138 AA
D562,282 S * 2/2008 Suk et al. D14/138 AA
D569,858 S 5/2008 He
D572,693 S * 7/2008 Miake D14/138 AA
D573,573 S * 7/2008 Jung et al. D14/138 AA

D576,993 S * 9/2008 Park et al. D14/138 AA
D578,101 S * 10/2008 Park et al. D14/138 AA
D581,893 S * 12/2008 Kim et al. D14/138 AA
D584,266 S * 1/2009 Kim et al. D14/138 AA
2006/0105806 A1 * 5/2006 Vance et al. 455/556.1

FOREIGN PATENT DOCUMENTS

JP D1239145 5/2005
TW D118696 8/2007
TW D125178 10/2008
WO DM/069165 * 7/2007

OTHER PUBLICATIONS

Nokia 6070, announced Feb. 2006, <URL:http://www.gsmarena.com/nokia_6070-pictures-1433.php>, retrieved from internet Mar. 4, 2009 12:04:47 AM.*

Sony Ericsson K200, announced Feb. 2007, <URL:http://www.gsmarena.com/sony_ericsson_k200-pictures-1842.php>, retrieved from internet Mar. 4, 2009 12:12:16 AM.*

Taiwanese Examination Notification and Design Search Report issued on Mar. 4, 2009 in corresponding Taiwanese Patent Application 097303140.

* cited by examiner

Primary Examiner—Ian Simmons

Assistant Examiner—Carla Jobe Wright

(74) *Attorney, Agent, or Firm*—Staas & Halsey LLP

(57) **CLAIM**

The ornamental design for a mobile phone, as shown and described.

DESCRIPTION

FIG. 1 is a front perspective view of a mobile phone;
FIG. 2 is a front view of the mobile phone of FIG. 1;
FIG. 3 is a rear view of the mobile phone of FIG. 1;
FIG. 4 is a left-side view of the mobile phone of FIG. 1;
FIG. 5 is a right-side view of the mobile phone of FIG. 1;
FIG. 6 is a top plan view of the mobile phone of FIG. 1; and,
FIG. 7 is a bottom plan view of the mobile phone of FIG. 1.

1 Claim, 5 Drawing Sheets

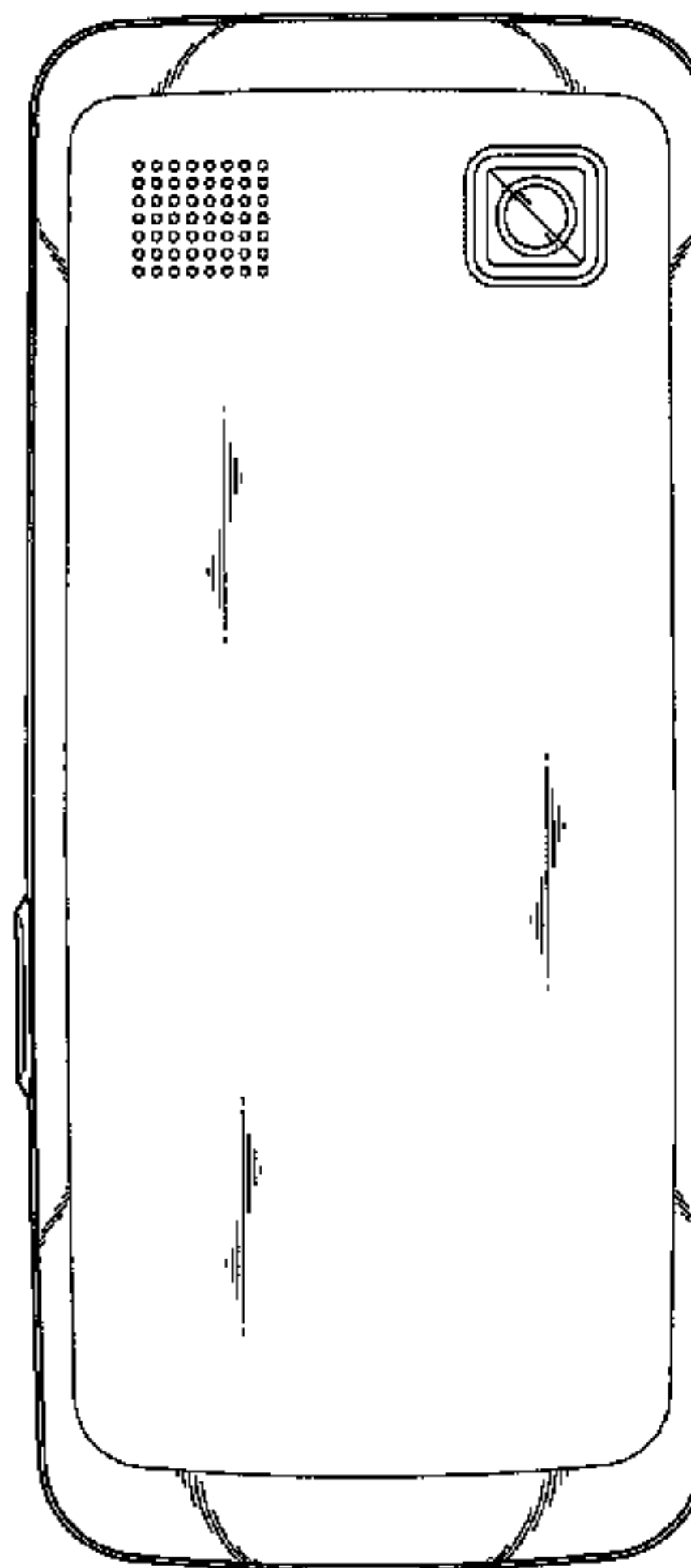
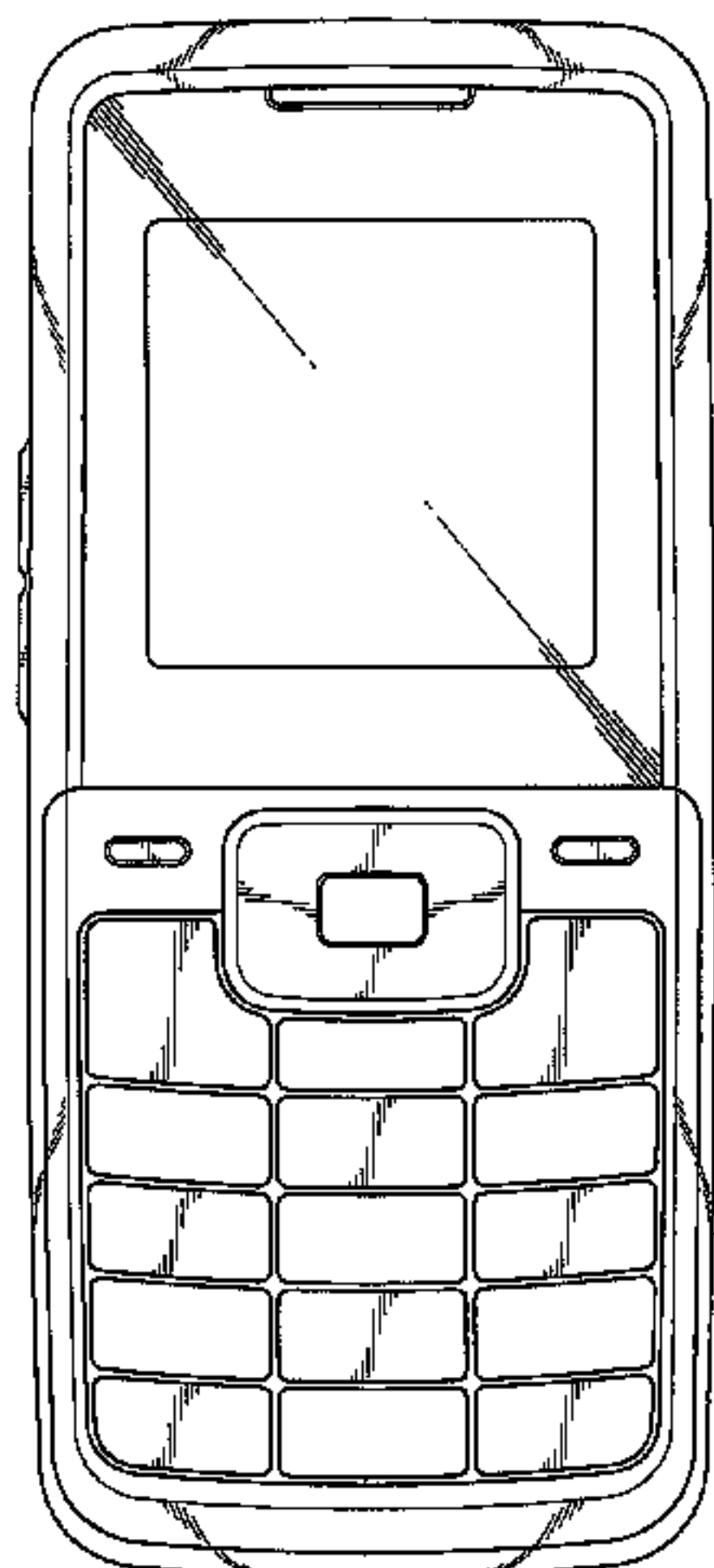


FIG. 1

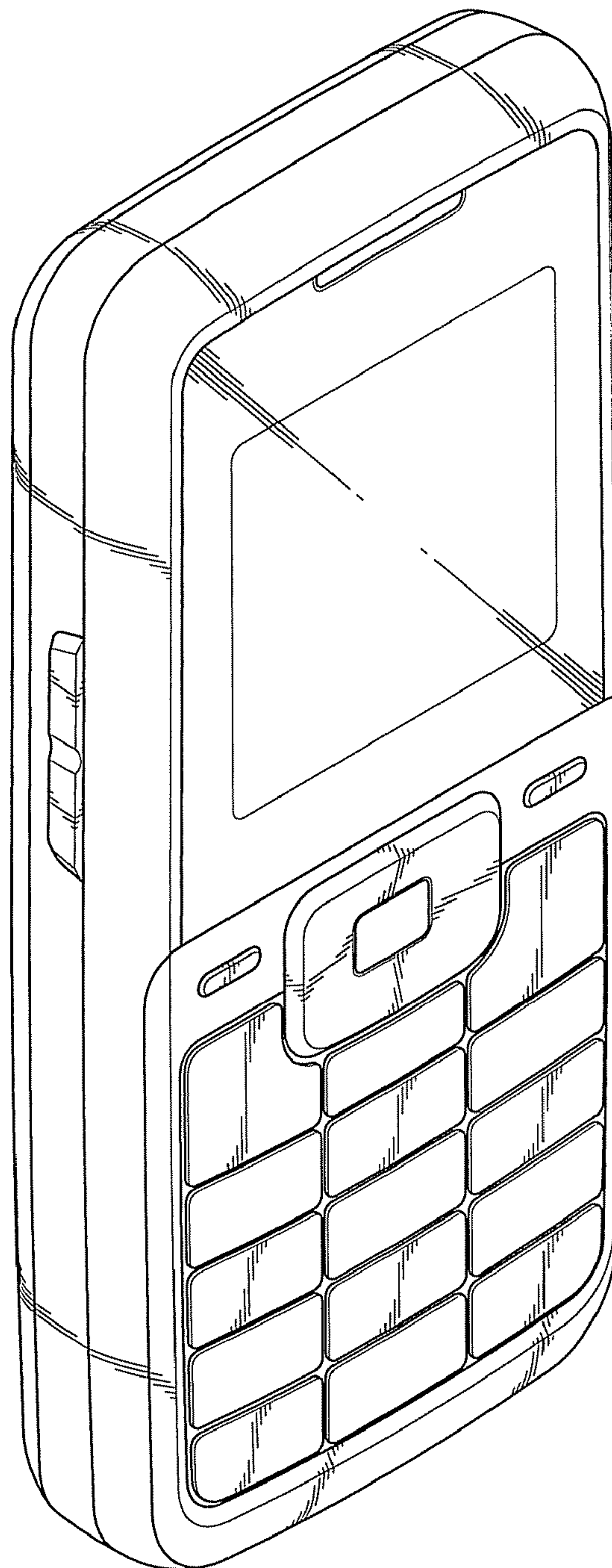


FIG. 2

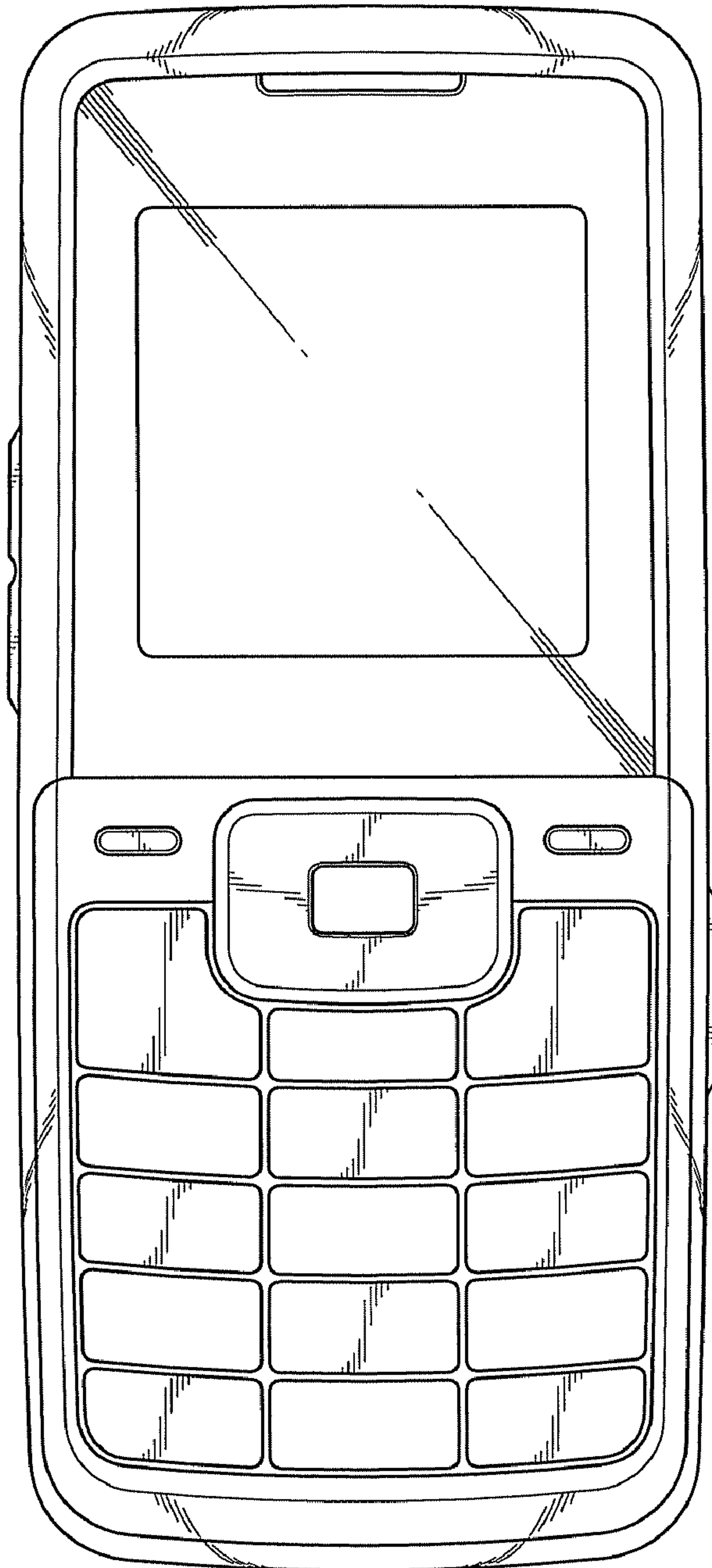


FIG. 3

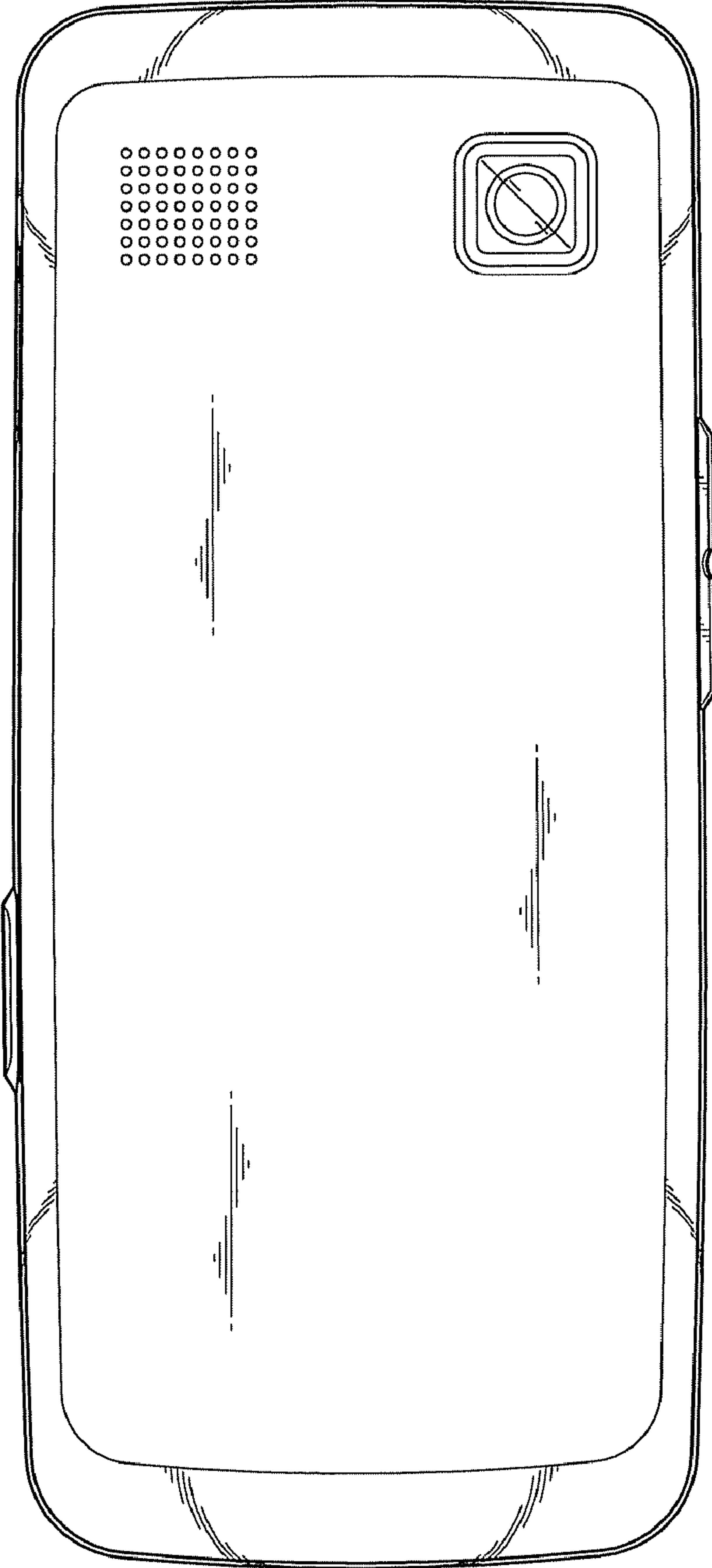


FIG. 4

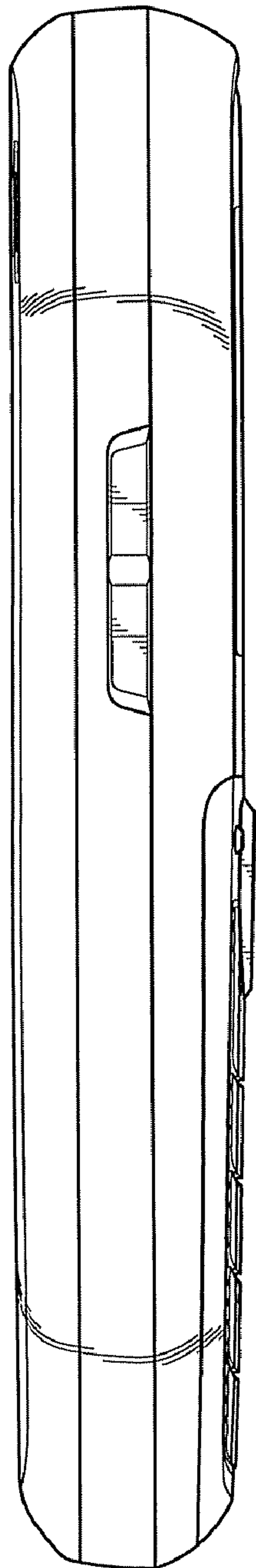


FIG. 5

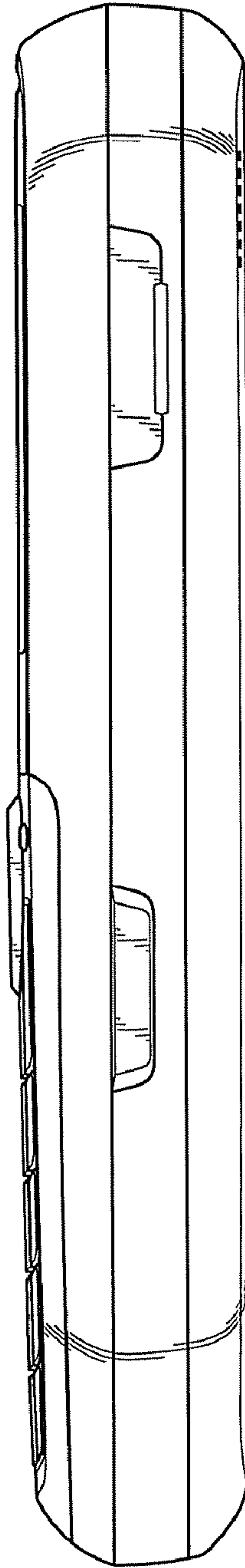


FIG. 6

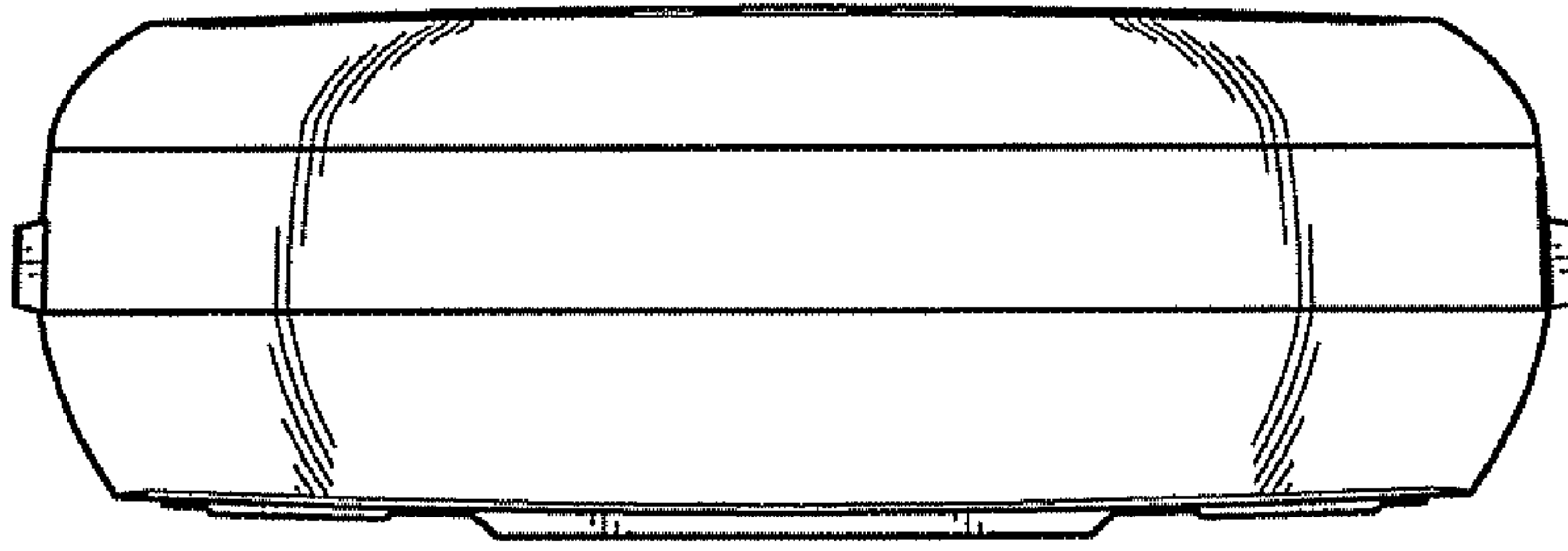


FIG. 7

