

US00D597047S

(12) **United States Design Patent**
Jung et al.

(10) **Patent No.:** **US D597,047 S**
(45) **Date of Patent:** **** Jul. 28, 2009**

(54) **PORTABLE TELEPHONE**

(75) Inventors: **Jong-Bo Jung**, Seoul (KR); **Beom-Ku Han**, Seoul (KR); **Chang-Soo Lee**, Incheon (KR)

(73) Assignee: **Samsung Electronics Co., Ltd.**, Suwon, Kyunggi-do (KR)

(**) Term: **14 Years**

(21) Appl. No.: **29/301,764**

(22) Filed: **Mar. 14, 2008**

(51) **LOC (9) Cl.** **14-03**

(52) **U.S. Cl.** **D14/138 AA**

(58) **Field of Classification Search** D14/137, D14/138 R, 138 AA, 138 AB, 138 AC, 138 AD, D14/138 C, 138 G, 147-148, 156, 191, 218, D14/247-248, 341-347, 390, 399, 455-456, D14/496; D16/208; D21/329, 331, 333, D21/517; 348/14.01-14.02; 361/814; 379/433.01-433.13; 455/90.3, 556.1-556.2, 566, 575.1, 575.3, 455/575.4; D13/164, 168; 439/165; 343/702; 345/167, 168, 169; D10/65, 78, 104; D18/7
See application file for complete search history.

(56) **References Cited**

U.S. PATENT DOCUMENTS

D515,536 S	2/2006	Lee et al.
D515,537 S	2/2006	Kim et al.
D517,039 S	3/2006	Lee
D524,276 S	7/2006	Kim et al.
D525,228 S	7/2006	Kim et al.
D537,432 S	2/2007	Kim et al.
D538,250 S	3/2007	Choi et al.
D538,251 S	3/2007	Park et al.
D539,253 S	3/2007	Park et al.
D539,254 S	3/2007	Park et al.
D543,184 S	5/2007	Moon et al.
D543,188 S	5/2007	Minamide et al.
D545,804 S	7/2007	Lee

D546,314 S	*	7/2007	Im	D14/138 AA
D548,216 S	*	8/2007	Pan et al.	D14/138 AA
D556,727 S		12/2007	Cha et al.		
D557,246 S		12/2007	Kim et al.		
D558,175 S		12/2007	Choi et al.		
D559,223 S		1/2008	Kim et al.		
D559,224 S		1/2008	Moon et al.		
D560,635 S		1/2008	Kim et al.		
D560,647 S		1/2008	Choi et al.		
D561,153 S		2/2008	Hong et al.		
D561,154 S		2/2008	Kim et al.		
D562,283 S		2/2008	Moon et al.		

(Continued)

OTHER PUBLICATIONS

Alcatel OT-V212, announced Feb. 2008, <URL:http://www.gsmarena.com/alcatel_ot_v212-pictures-2283.php>, retrieved from internet on Mar. 6, 2009 4:10:10 PM.*

(Continued)

Primary Examiner—Ian Simmons
Assistant Examiner—Carla Jobe Wright
(74) *Attorney, Agent, or Firm*—Flynn, Thiel, Boutell & Tanis, P.C.

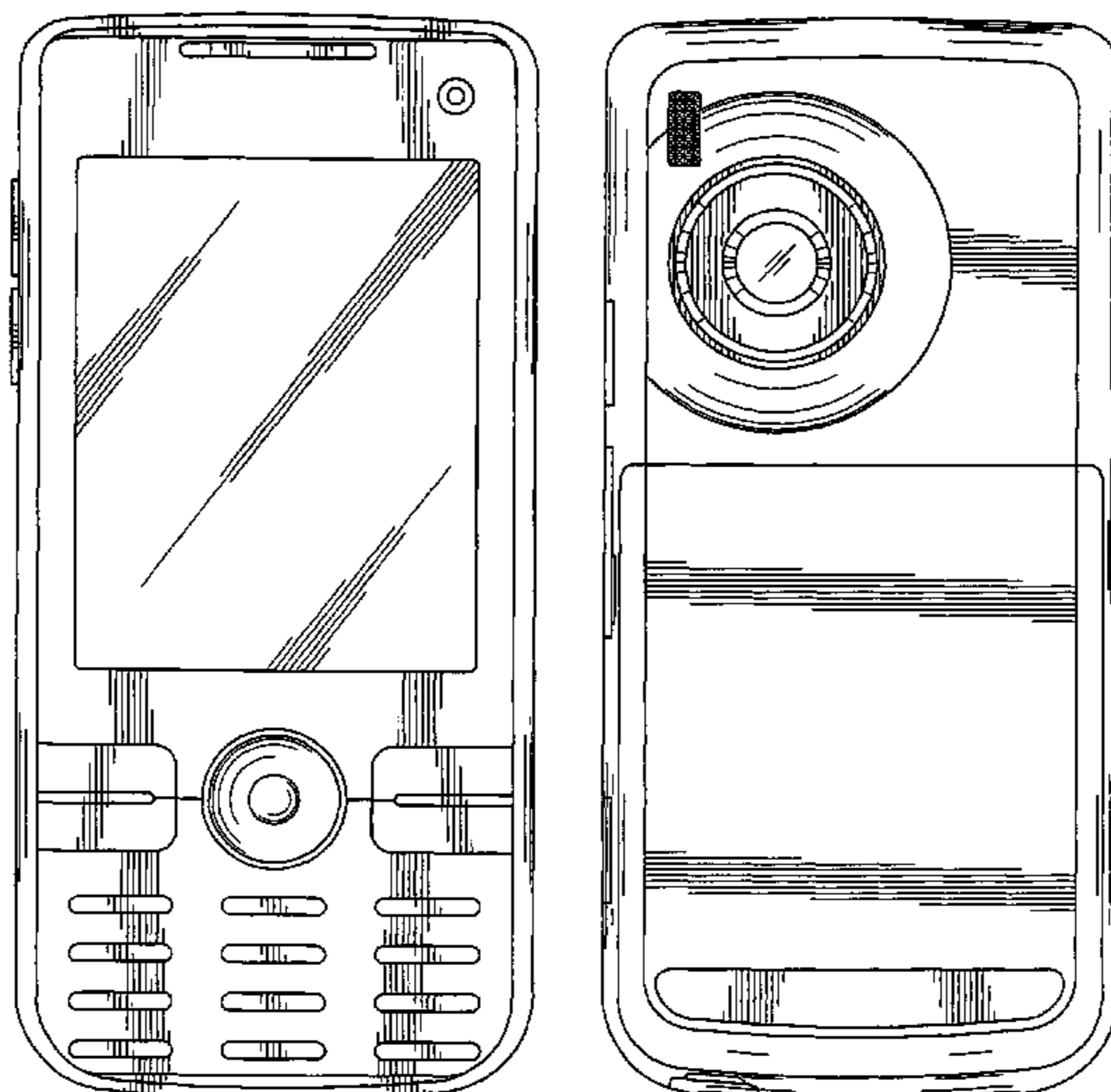
(57) **CLAIM**

The ornamental design for a portable telephone, as shown and described.

DESCRIPTION

FIG. 1 is a top front perspective view of a portable telephone showing our new design;
FIG. 2 is a front elevational view thereof;
FIG. 3 is a rear elevational view thereof;
FIG. 4 is a left side elevational view thereof;
FIG. 5 is a right side elevational view thereof;
FIG. 6 is a top plan view thereof; and,
FIG. 7 is a bottom plan view thereof.

1 Claim, 4 Drawing Sheets



US D597,047 S

Page 2

U.S. PATENT DOCUMENTS

D565,017 S 3/2008 Kim et al.
D566,086 S 4/2008 Hong et al.
D566,094 S 4/2008 Kim et al.
D566,678 S * 4/2008 Jensfelt D14/138 R
D574,351 S * 8/2008 Kim et al. D14/138 AA
D576,990 S * 9/2008 Han et al. D14/138 AA
D582,373 S * 12/2008 Cao et al. D14/138 R
D582,374 S * 12/2008 Hu et al. D14/138 R
D583,352 S * 12/2008 Son et al. D14/138 AA
D584,269 S * 1/2009 Baik et al. D14/138 AA
D584,271 S * 1/2009 Ko et al. D14/138 R
D585,039 S * 1/2009 Wang et al. D14/138 R
D587,669 S * 3/2009 Aarras D14/138 AA
2008/0039156 A1 * 2/2008 Lee et al. 455/575.1

OTHER PUBLICATIONS

VK Mobile VK2200, announced Mar. 2006, <URL:http://www.gsmarena.com/vk_mobile_vk2200-pictures-1512.php>, retrieved from internet on Mar. 6, 2009 4:13:28 PM.*

Sony Ericsson R300 Radio, announced Jan. 2008, <URL:http://www.gsmarena.com/sony_ericsson_r300_radio-pictures-2228.php>, retrieved from internet on Mar. 6, 2009 4:22:08 PM.*

U.S. Appl. No. 29/292,085, filed Sep. 27, 2007, Applicant Yu-Guen Kim, entitled Portable Telephone.

Samsung i320 telephone, announced Feb. 2006, [online], [retrieved on Jun. 16, 2007]. Retrieved from Internet, URL:<http://www.gsmarena.com>.

Samsung P300 telephone, announced 4th quarter, 2005, [online], [retrieved on Jun. 16, 2007]. Retrieved from Internet, URL:<http://www.gsmarena.com>.

* cited by examiner

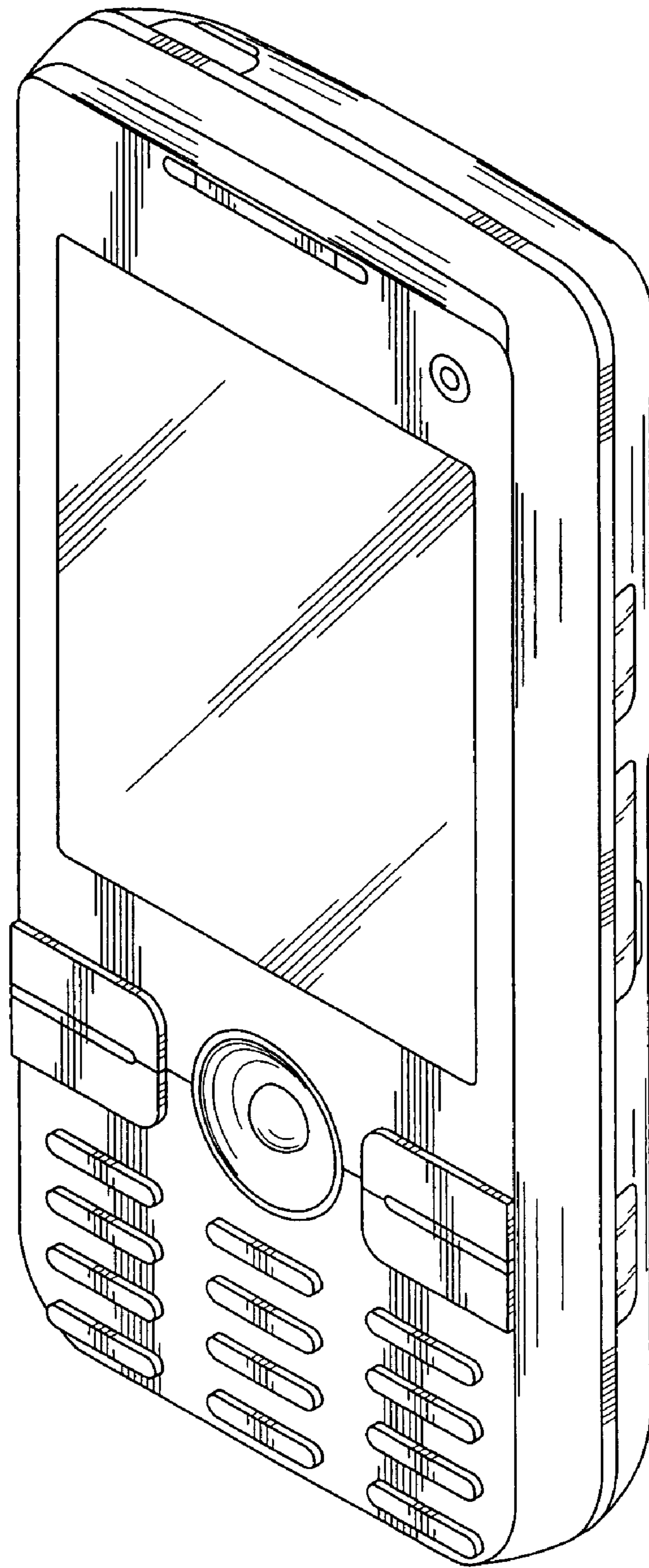


FIG. 1

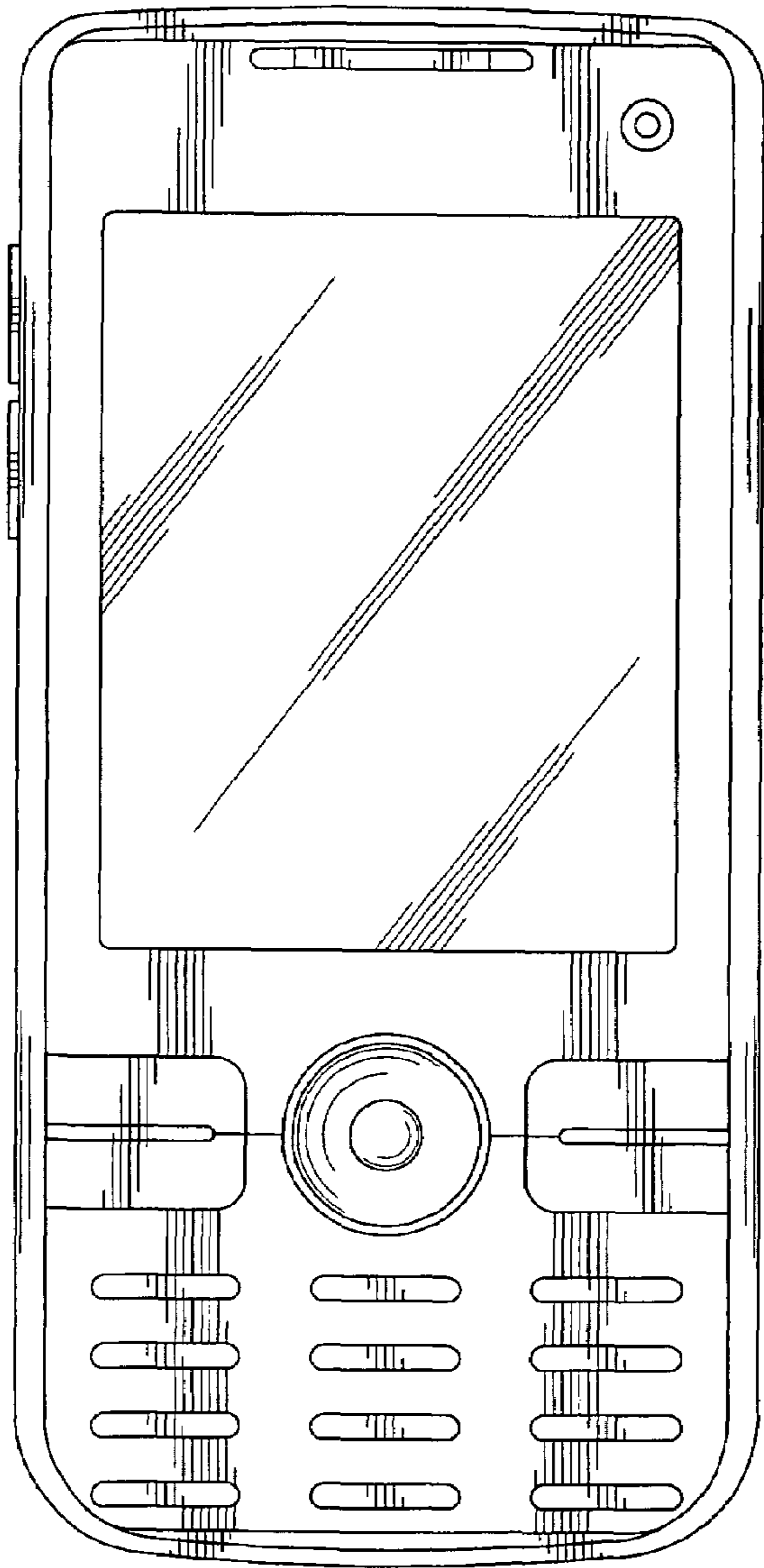


FIG. 2

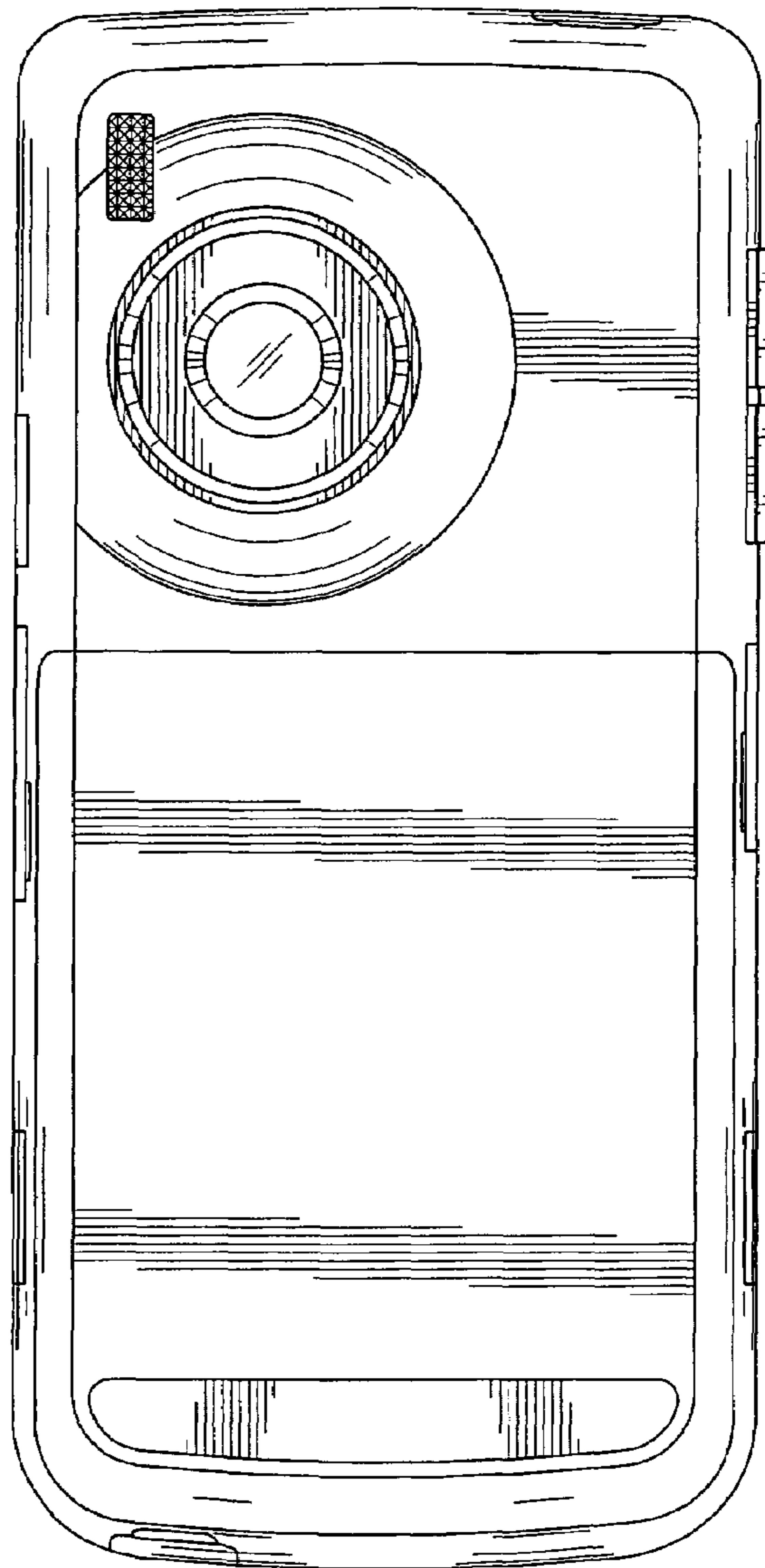


FIG. 3

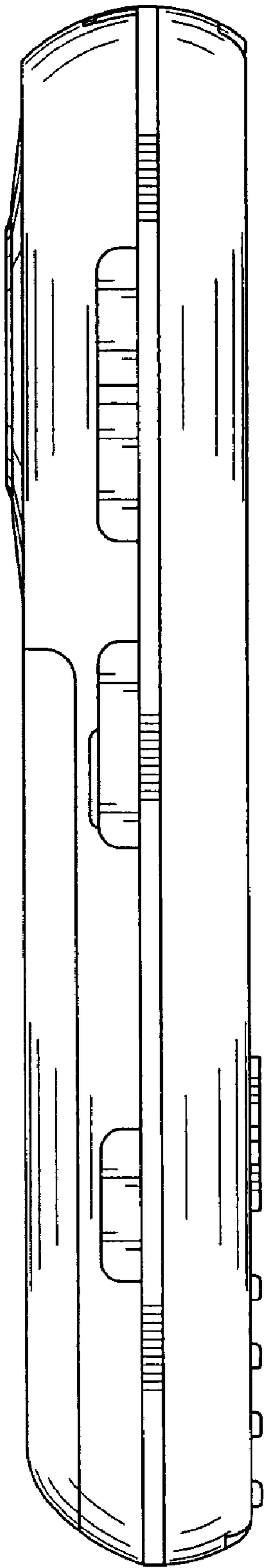


FIG. 4

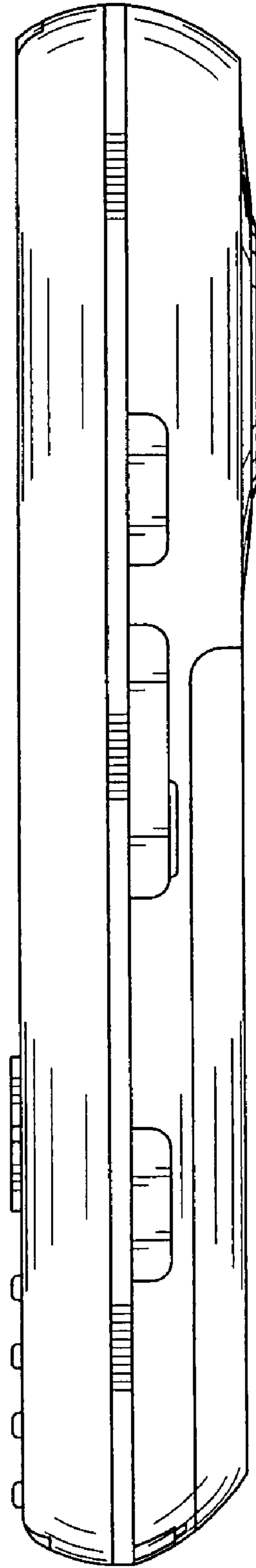


FIG. 5

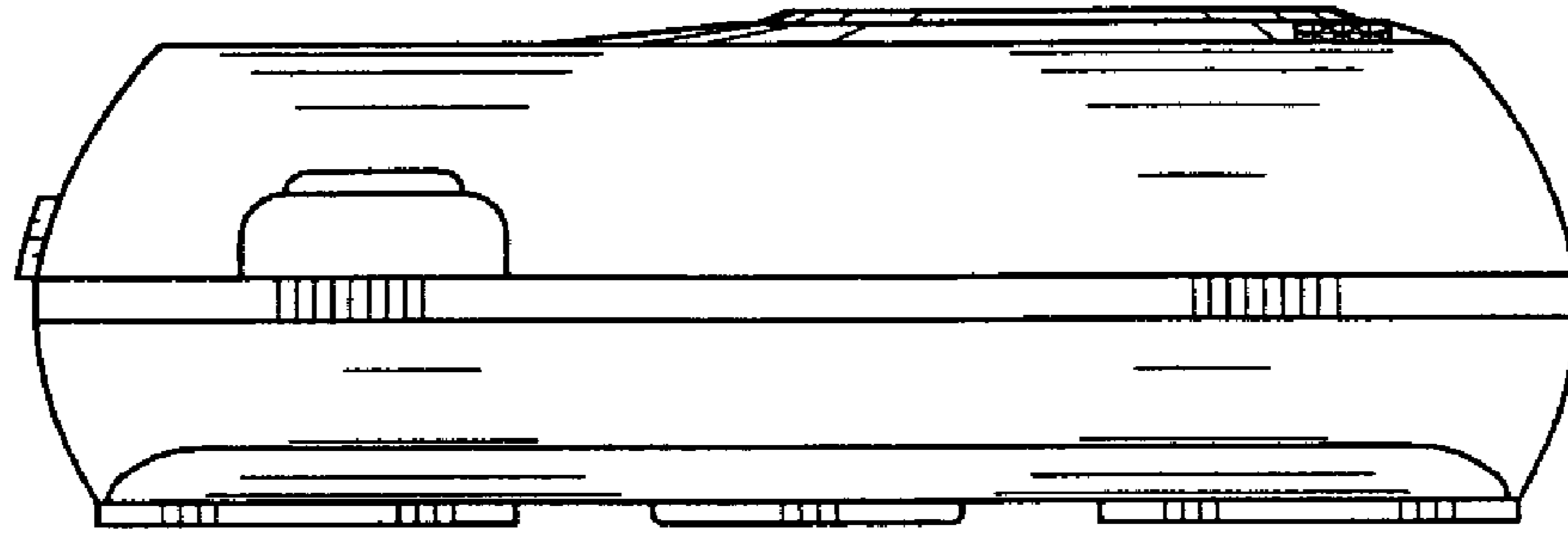


FIG. 6

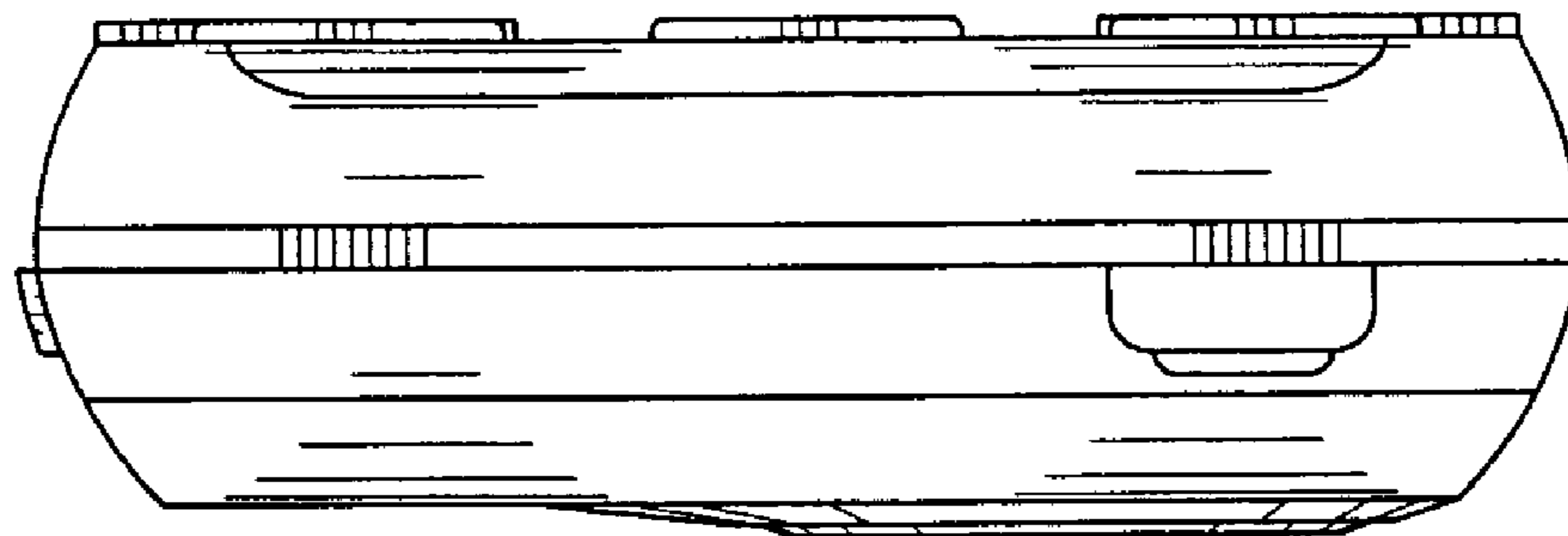


FIG. 7