

US00D597040S

(12) **United States Design Patent**
Hakata

(10) **Patent No.:** **US D597,040 S**

(45) **Date of Patent:** **** Jul. 28, 2009**

(54) **LIGHT-EMITTING DIODE (LED)**

2008/0099779 A1* 5/2008 Huang et al. 257/99
2008/0272383 A1* 11/2008 Loh 257/98

(75) Inventor: **Kunihiko Hakata**, Tottori (JP)

FOREIGN PATENT DOCUMENTS

(73) Assignees: **Sanyo Electric Co., Ltd.**, Osaka (JP);
Sanyo Cosnumer Electronics Co., Ltd.,
Tottori (JP)

JP D1299451 S 3/2007
JP D1220863 S 10/2008

(**) Term: **14 Years**

* cited by examiner

(21) Appl. No.: **29/317,861**

Primary Examiner—Selina Sikder

(22) Filed: **May 8, 2008**

(74) *Attorney, Agent, or Firm*—Westerman, Hattori, Daniels
& Adrian, LLP.

(30) **Foreign Application Priority Data**

Nov. 9, 2007 (JP) 2007-031029
Nov. 9, 2007 (JP) 2007-031030

(57) **CLAIM**

The ornamental design for a light-emitting diode(LED), as shown and described.

(51) **LOC (9) Cl.** **13-03**

(52) **U.S. Cl.** **D13/180**

(58) **Field of Classification Search** D13/180;
D26/2; 257/79, 80, 81, 88, 89, 95, 98, 99,
257/100; 313/483, 498, 500; 362/555, 800
See application file for complete search history.

DESCRIPTION

FIG. 1 is a rear view of the light-emitting diode;
FIG. 2 is a top view of the light-emitting diode;
FIG. 3 is a front view of the light-emitting diode;
FIG. 4 is a bottom view of the light emitting diode;
FIG. 5 is a left side view of the light emitting diode;
FIG. 6 is a right side of the light emitting diode; and,
FIG. 7 is the top, front and left perspective view of the light emitting diode.

(56) **References Cited**

U.S. PATENT DOCUMENTS

D497,883 S * 11/2004 Wedig et al. D13/180
D499,075 S * 11/2004 Yoon et al. D13/180
D500,294 S 12/2004 Ishida
2005/0110157 A1* 5/2005 Sherrer et al. 257/776
2005/0139850 A1* 6/2005 Ikeda 257/99

The broken lines are for illustrative purposes only, and form no part of the claimed design.

1 Claim, 1 Drawing Sheet

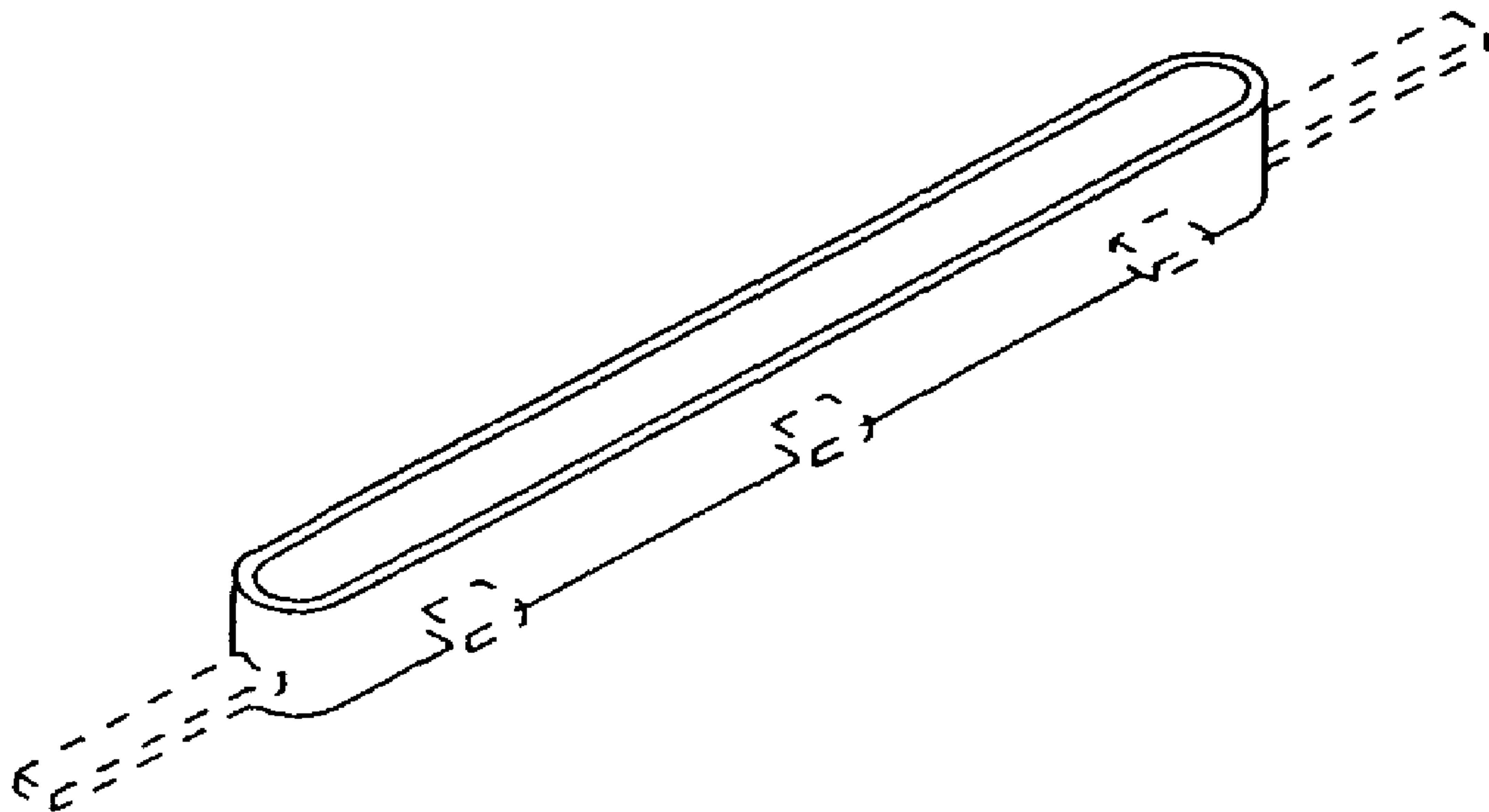


Fig. 1



Fig. 2

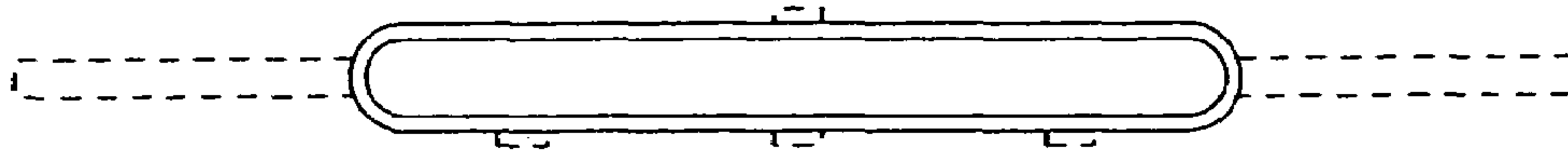


Fig. 3

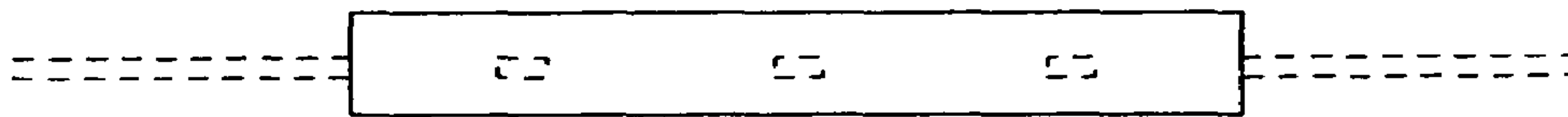


Fig. 4

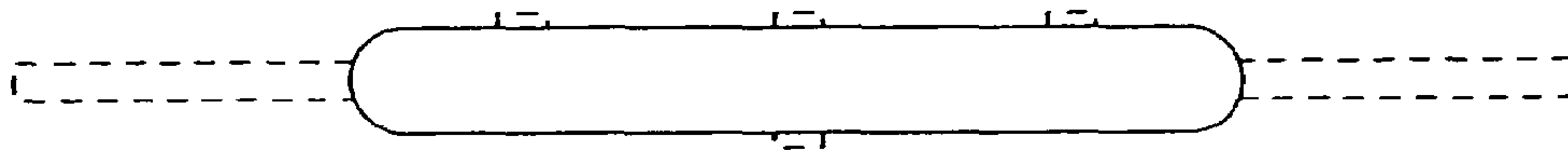


Fig. 5

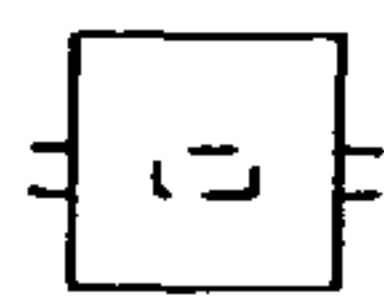


Fig. 6



Fig. 7

