



US00D597039S

(12) **United States Design Patent**  
**Hakata**

(10) **Patent No.:** **US D597,039 S**

(45) **Date of Patent:** **\*\* Jul. 28, 2009**

(54) **LIGHT-EMITTING DIODE(LED)**

(75) Inventor: **Kunihiko Hakata**, Tottori (JP)

(73) Assignees: **Sanyo Electric Co., Ltd.**, Osaka (JP);  
**Sanyo Consumer Electronics Co., Ltd.**,  
Tottori (JP)

(\*\*) Term: **14 Years**

(21) Appl. No.: **29/317,859**

(22) Filed: **May 8, 2008**

(30) **Foreign Application Priority Data**

Nov. 9, 2007	(JP)	.....	2007-031025
Nov. 9, 2007	(JP)	.....	2007-031026
Nov. 9, 2007	(JP)	.....	2007-031027
Nov. 9, 2007	(JP)	.....	2007-031028

(51) **LOC (9) Cl.** ..... **13-03**

(52) **U.S. Cl.** ..... **D13/180**

(58) **Field of Classification Search** ..... D13/180;  
D26/2; 257/79, 80, 81, 88, 89, 95, 98, 99,  
257/100; 313/483, 498, 500; 362/555, 800  
See application file for complete search history.

(56) **References Cited**

**U.S. PATENT DOCUMENTS**

D497,883 S *	11/2004	Wedig et al.	.....	D13/180
D499,075 S *	11/2004	Yoon et al.	.....	D13/180
D500,294 S	12/2004	Ishida		
2005/0110157 A1 *	5/2005	Sherrer et al.	.....	257/776

2005/0139850 A1 *	6/2005	Ikeda	.....	257/99
2008/0099779 A1 *	5/2008	Huang et al.	.....	257/99
2008/0272383 A1 *	11/2008	Loh	.....	257/98

**FOREIGN PATENT DOCUMENTS**

JP	D1299451 S	3/2007
JP	D1220863 S	10/2008

\* cited by examiner

*Primary Examiner*—Selina Sikder

(74) *Attorney, Agent, or Firm*—Westerman, Hattori, Daniels & Adrian, LLP.

(57) **CLAIM**

The ornamental design for a light-emitting diode(LED), as shown and described.

**DESCRIPTION**

FIG. 1 is a rear view of the light emitting diode (LED) showing our new design;

FIG. 2 is a top view of the light-emitting diode of FIG. 1;

FIG. 3 is a front view of the light-emitting diode of FIG. 1;

FIG. 4 is a bottom view of the light emitting diode of FIG. 1;

FIG. 5 is a left side view of the light emitting diode of FIG. 1;

FIG. 6 is a right side of the light emitting diode of FIG. 1; and,

FIG. 7 is the top, front and left perspective view of the light emitting diode of FIG. 1.

The broken lines are for illustrative purposes only and form no part of the claimed design.

**1 Claim, 1 Drawing Sheet**

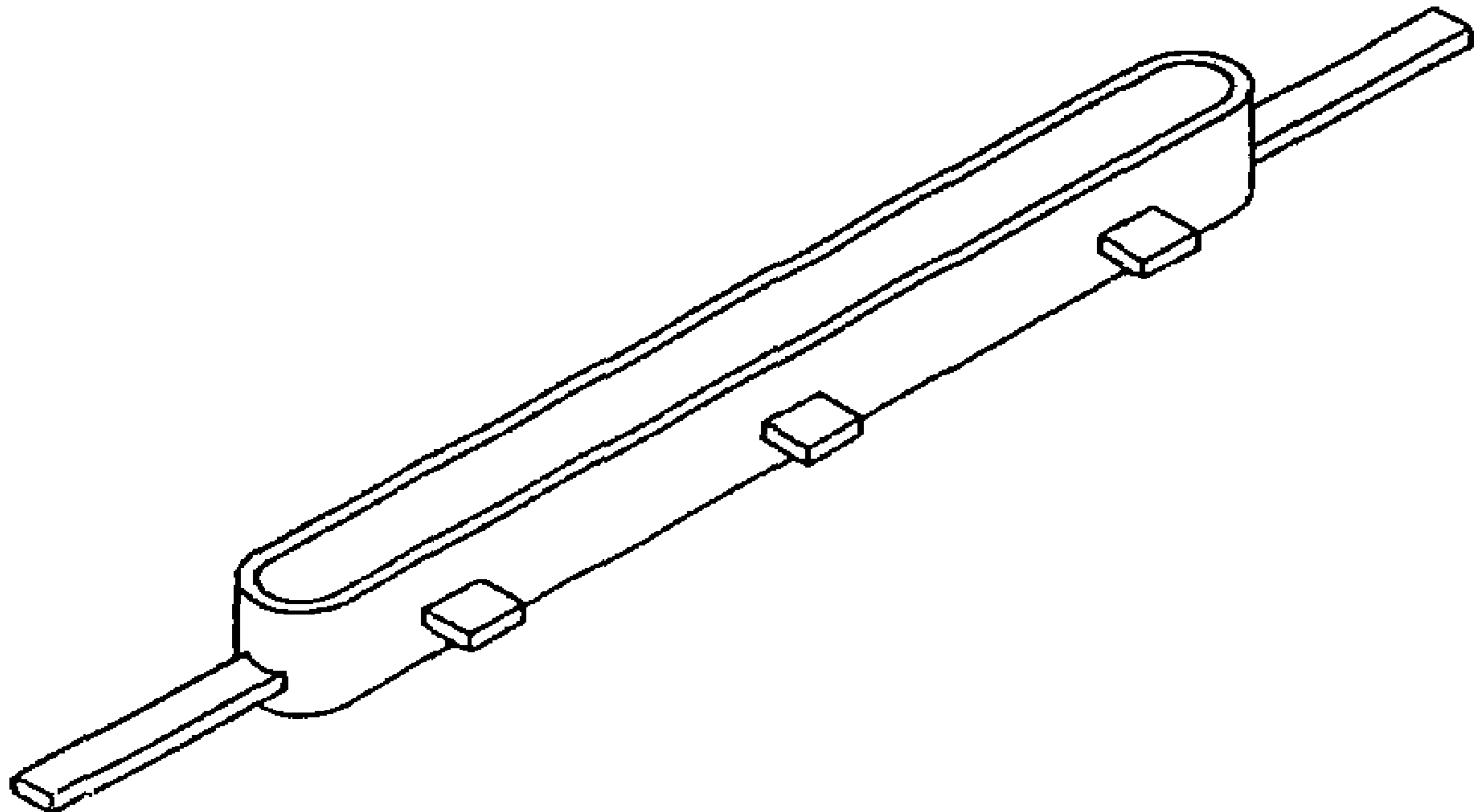


Fig. 1



Fig. 2

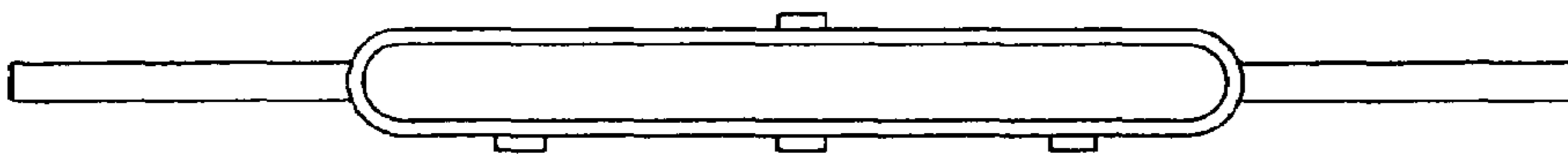


Fig. 3



Fig. 4



Fig. 5



Fig. 6



Fig. 7

