



US00D597036S

(12) **United States Design Patent**  
**Tagawa et al.**

(10) **Patent No.:** **US D597,036 S**  
(45) **Date of Patent:** **\*\* Jul. 28, 2009**

(54) **ALIGNMENT COVER FOR AN ELECTRICAL CONNECTOR**

(75) Inventors: **Tetsuya Tagawa**, Tokyo (JP); **Hiroharu Ikari**, Tokyo (JP)

(73) Assignee: **I-PEX Co., Ltd.**, Tokyo (JP)

(\*\*) Term: **14 Years**

(21) Appl. No.: **29/326,729**

(22) Filed: **Oct. 23, 2008**

(30) **Foreign Application Priority Data**

Sep. 2, 2008 (JP) ..... 2008-22579

(51) **LOC (9) Cl.** ..... **13-03**

(52) **U.S. Cl.** ..... **D13/156**

(58) **Field of Classification Search** ..... D13/133,  
D13/137.1, 138.1, 139.1, 146, 147, 154, 156;  
439/92, 93, 95, 247, 248, 252, 271, 272,  
439/172, 173, 357, 358, 362, 372, 395, 397  
See application file for complete search history.

(56) **References Cited**

**U.S. PATENT DOCUMENTS**

6,116,931 A \* 9/2000 McCleerey et al. .... 439/173  
6,280,230 B1 \* 8/2001 Takase et al. .... 439/397  
D572,194 S \* 7/2008 Lin et al. .... D13/154  
D583,758 S \* 12/2008 Cheng et al. .... D13/154  
D586,300 S \* 2/2009 Wang ..... D13/154

**FOREIGN PATENT DOCUMENTS**

JP D1354370 3/2009

\* cited by examiner

*Primary Examiner*—Brian N Vinson  
(74) *Attorney, Agent, or Firm*—Studebaker & Brackett PC;  
Donald R. Studebaker

(57) **CLAIM**

The ornamental design for an alignment cover for an electrical connector, as shown and described.

**DESCRIPTION**

FIG. 1 is a top plan view of an alignment cover for an electrical connector;

FIG. 2 is a front view of the alignment cover;

FIG. 3 is a bottom plan view of the alignment cover;

FIG. 4 is a rear view of the alignment cover;

FIG. 5 is a right side view of the alignment cover;

FIG. 6 is a front, top and right side perspective view of the alignment cover;

FIG. 7 is a front, bottom and right side perspective view of the alignment cover; and,

FIG. 8 is an additional perspective view of the alignment cover, with the broken-line disclosure of environmental structure being for illustrative purposes only and forming no part of the claimed design.

A left side view of the electrical connector is omitted because it is shown symmetrically to the right side view shown in FIG. 5.

The electrical connector with which a plurality of cables are connected as shown in FIG. 8 do not form any part of the alignment cover.

**1 Claim, 3 Drawing Sheets**

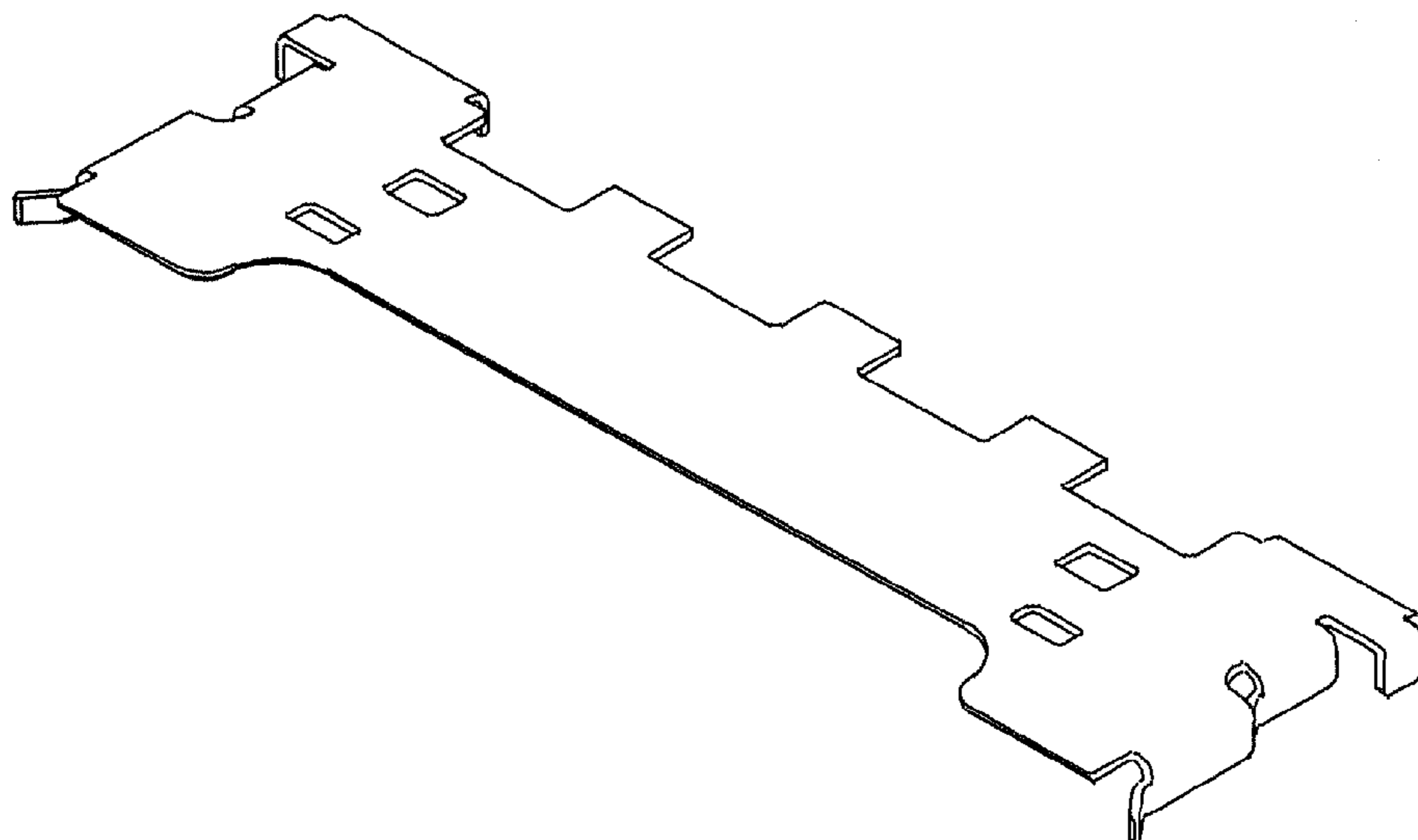


FIG. 1

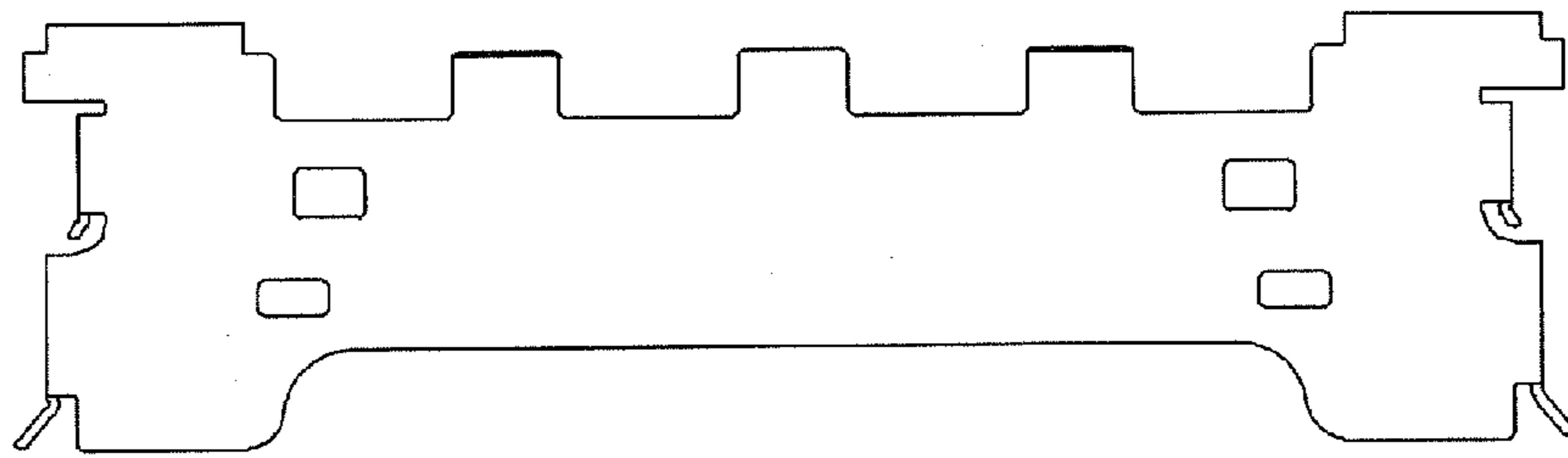


FIG. 2

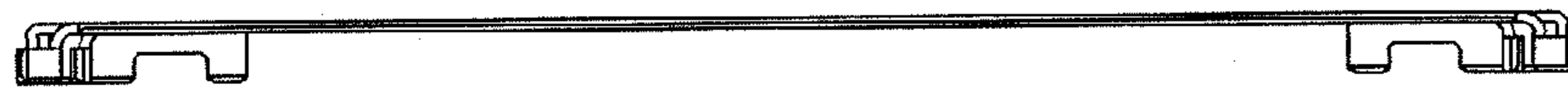


FIG. 3

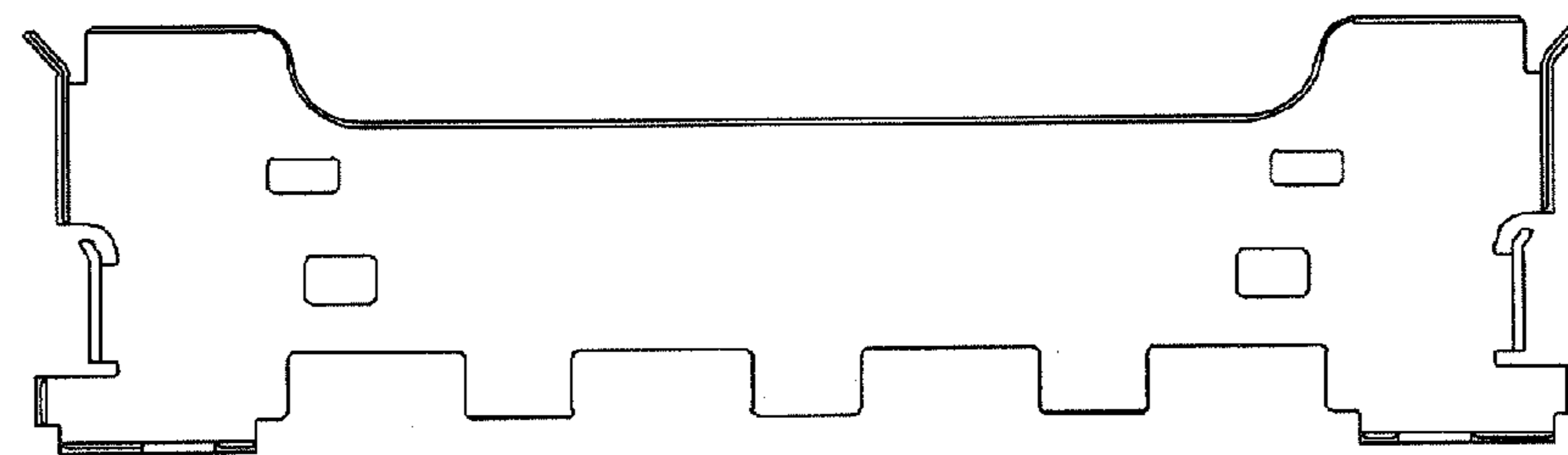


FIG. 4



FIG. 5



FIG. 6

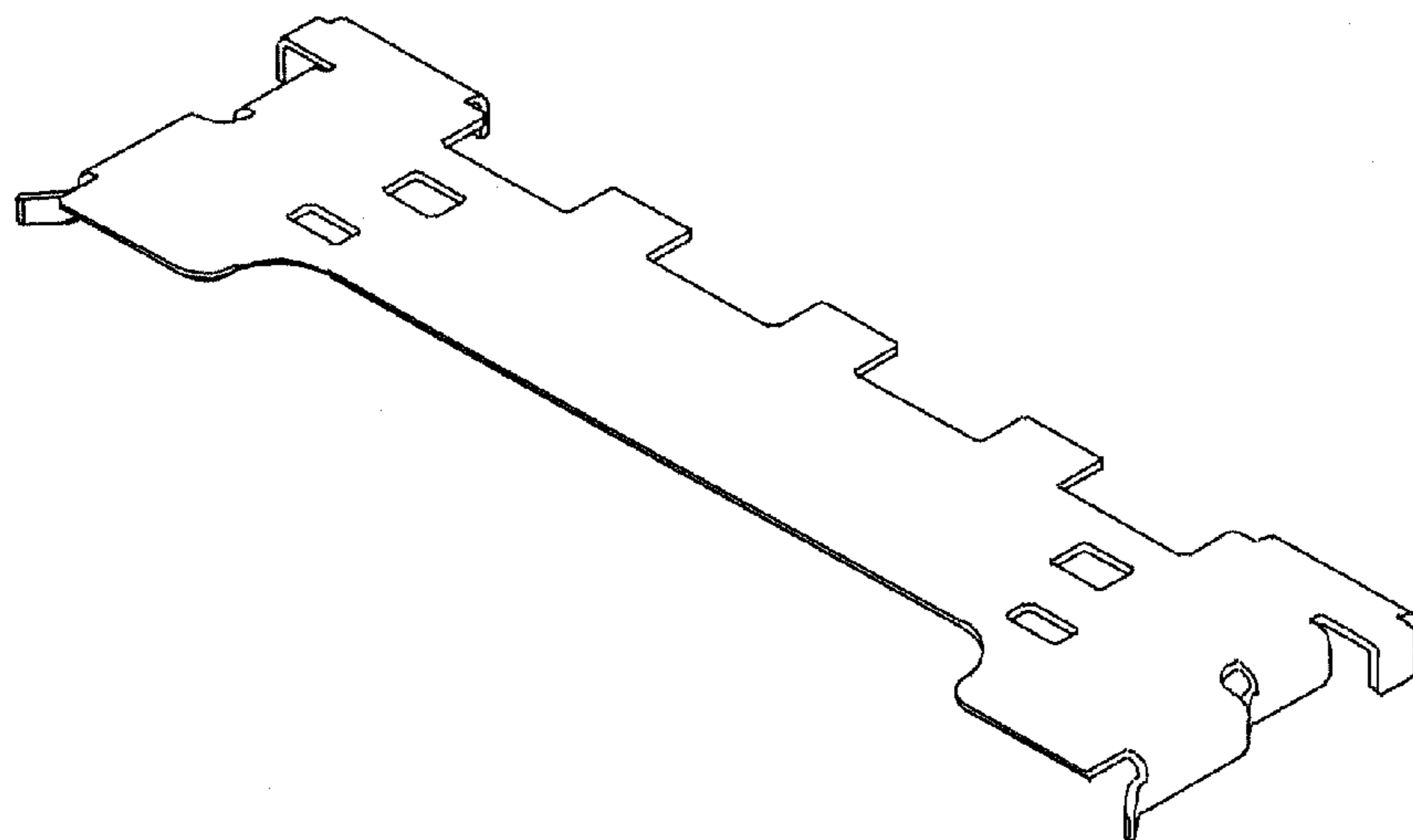


FIG. 7

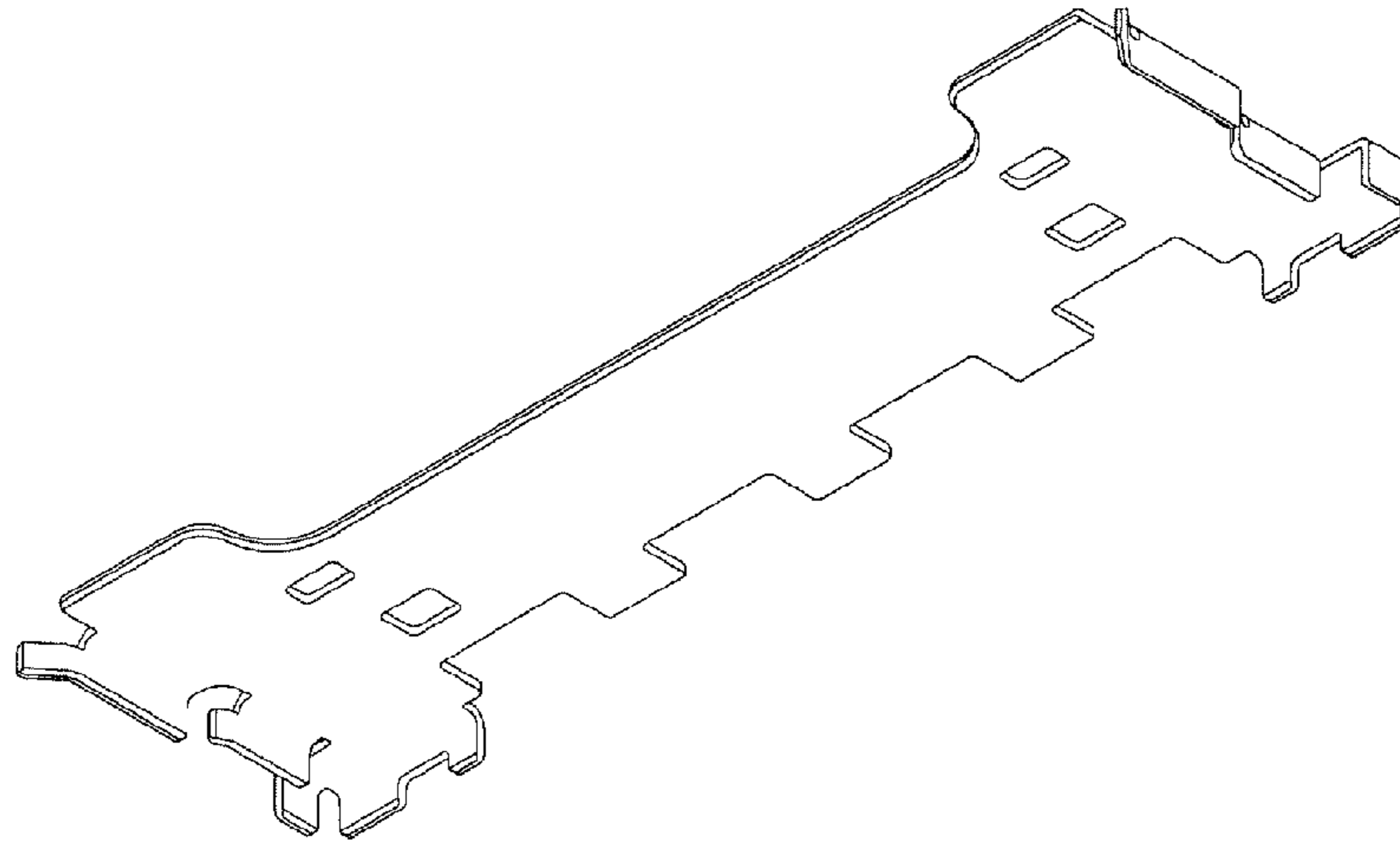


FIG. 8

