



US00D597032S

(12) **United States Design Patent**  
**Yamamoto et al.**

(10) **Patent No.:** **US D597,032 S**  
(45) **Date of Patent:** **\*\* Jul. 28, 2009**

(54) **COATED ELECTRIC CABLE**

(75) Inventors: **Takumi Yamamoto**, Fukui (JP); **Hiromi Okuzono**, Fukui (JP); **Takashi Kaneko**, Fukui (JP); **Akihiko Akabane**, Fukui (JP)

(73) Assignee: **Mitsubishi Cable Industries, Ltd.**, Tokyo (JP)

(\*\*) Term: **14 Years**

(21) Appl. No.: **29/309,220**

(22) Filed: **Jul. 9, 2008**

(30) **Foreign Application Priority Data**

Jan. 11, 2008 (JP) ..... D2008-000467

(51) **LOC (9) Cl.** ..... **13-03**

(52) **U.S. Cl.** ..... **D13/153**

(58) **Field of Classification Search** ..... D13/153;  
174/71 R, 88 R, 95, 117 F, 117 R, 117, 504 A  
See application file for complete search history.

(56) **References Cited**

**U.S. PATENT DOCUMENTS**

D494,935 S \* 8/2004 Milan ..... D13/153

D570,293 S \* 6/2008 Cunius ..... D13/153  
D573,101 S \* 7/2008 Ng et al. .... D13/153  
D585,383 S \* 1/2009 Sieff ..... D13/153

\* cited by examiner

*Primary Examiner*—Brian N Vinson

(74) *Attorney, Agent, or Firm*—McDermott Will & Emery LLP

(57) **CLAIM**

The ornamental design for a coated electrical cable, as shown and described.

**DESCRIPTION**

FIG. 1 is a front elevational view of a coated electric cable showing our new design;

FIG. 2 is a rear elevational view thereof;

FIG. 3 is a top plan view thereof;

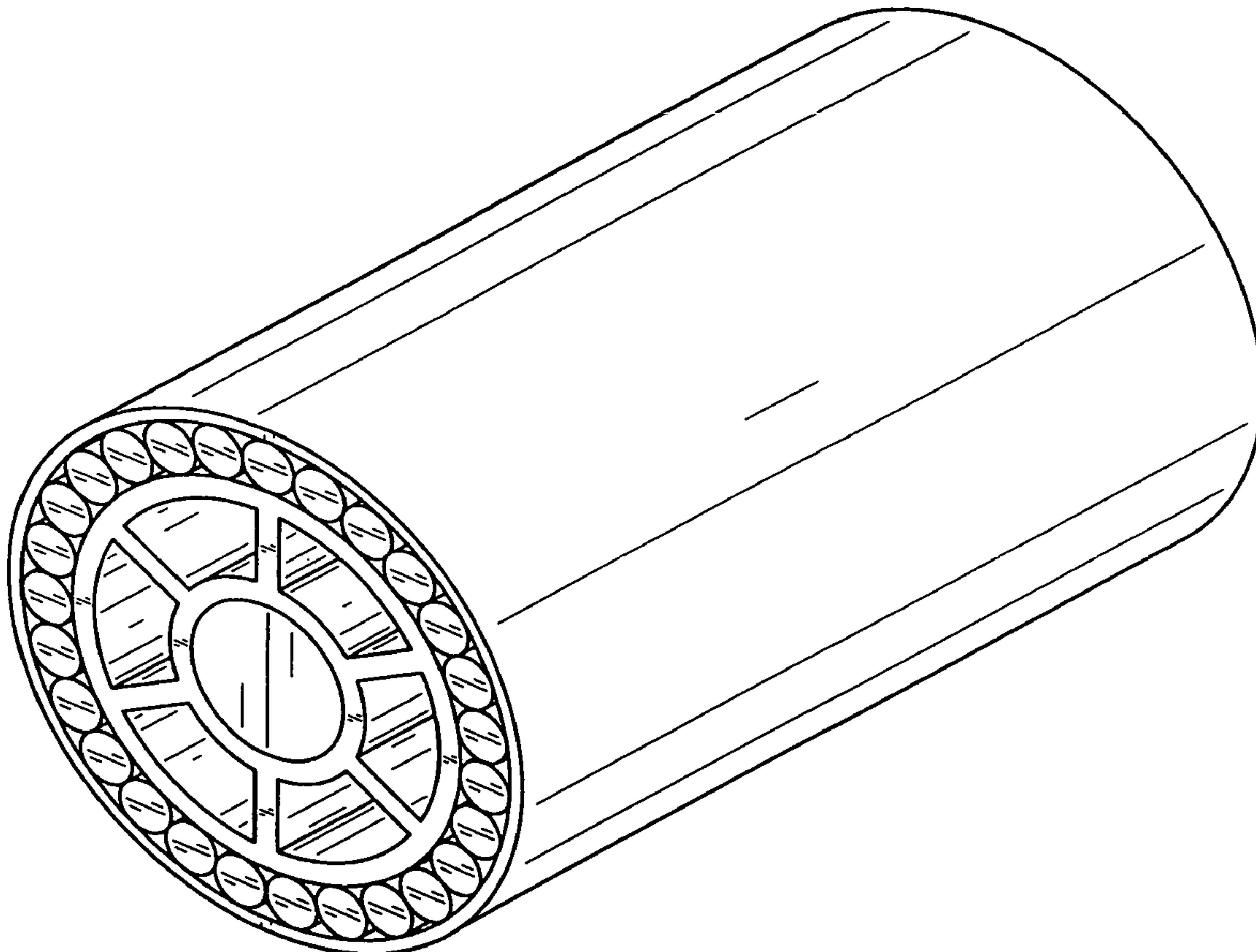
FIG. 4 is a bottom plan view thereof;

FIG. 5 is a side elevational view thereof;

FIG. 6 is an opposite side elevational view thereof; and,

FIG. 7 is a top, front, and left side perspective view thereof.

**1 Claim, 4 Drawing Sheets**



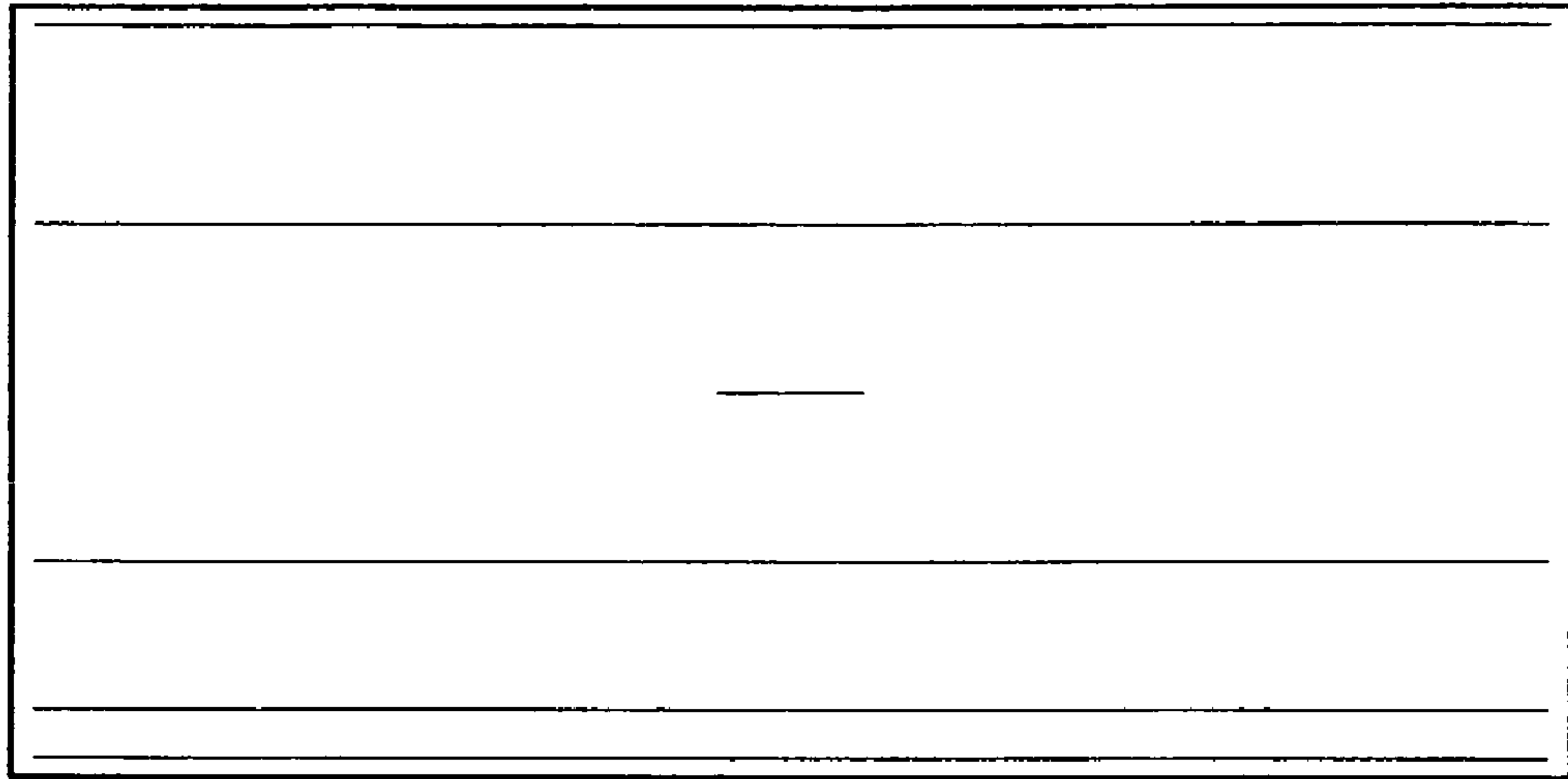


FIG. 1

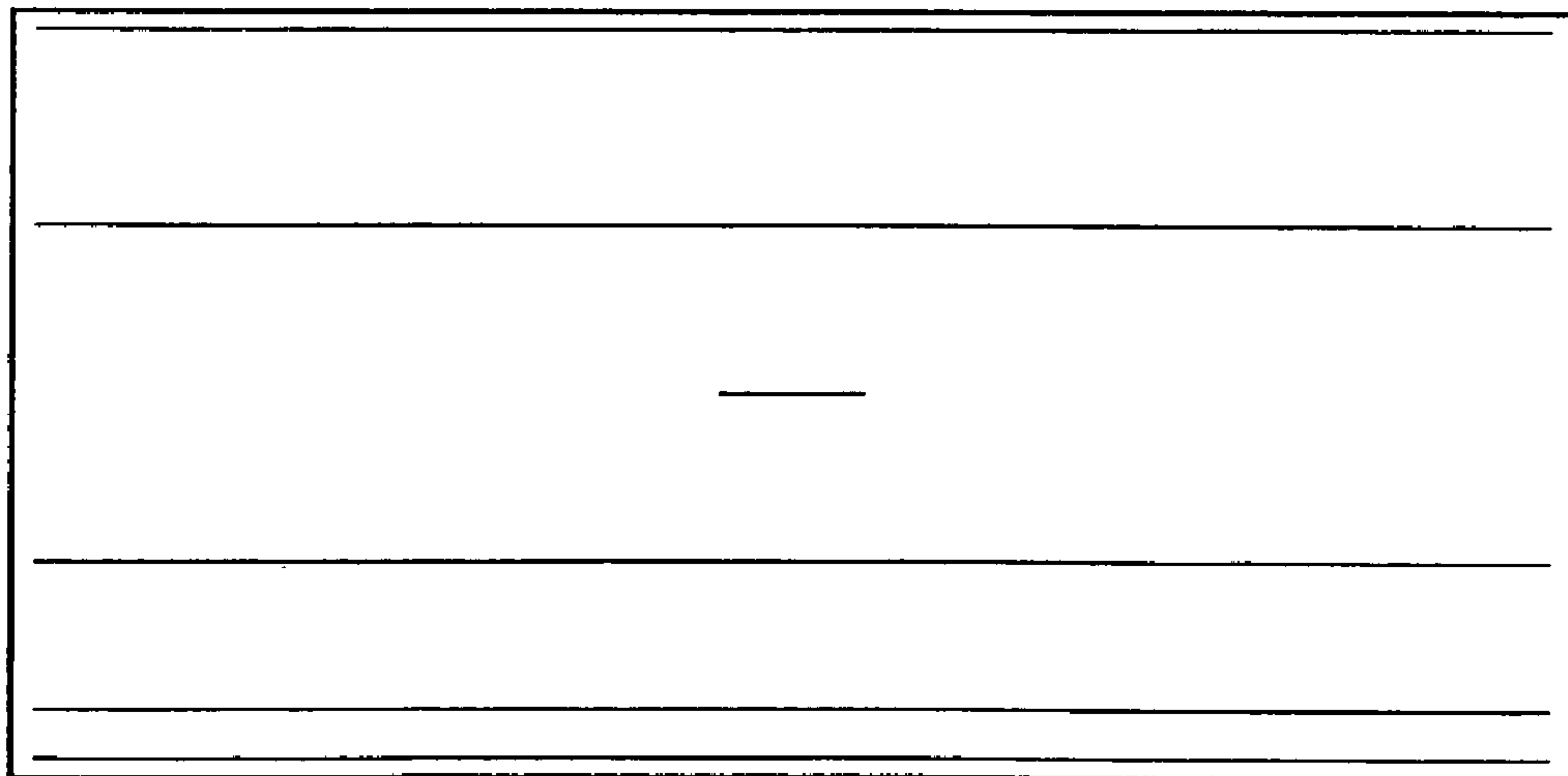


FIG. 2

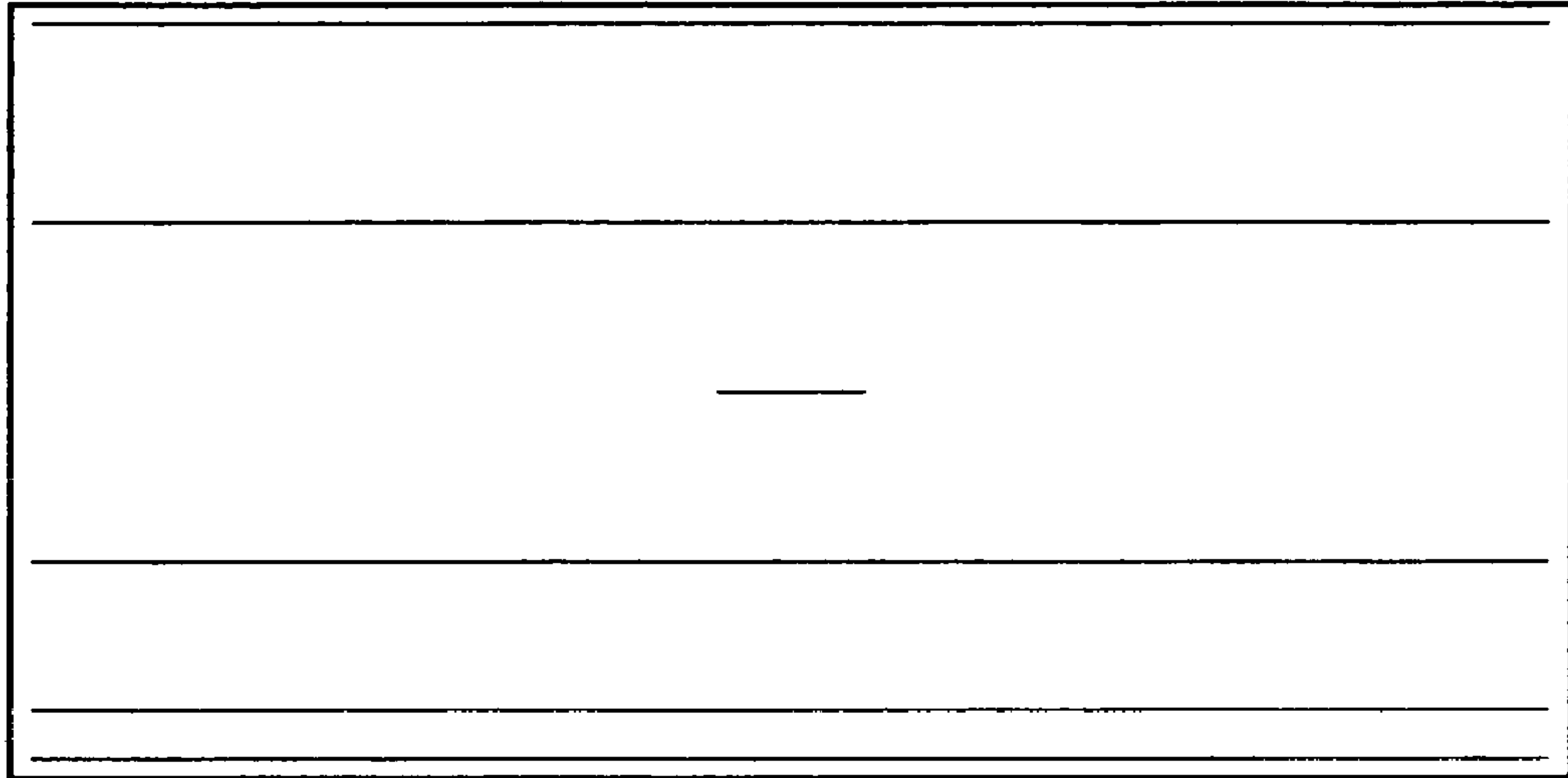


FIG. 3

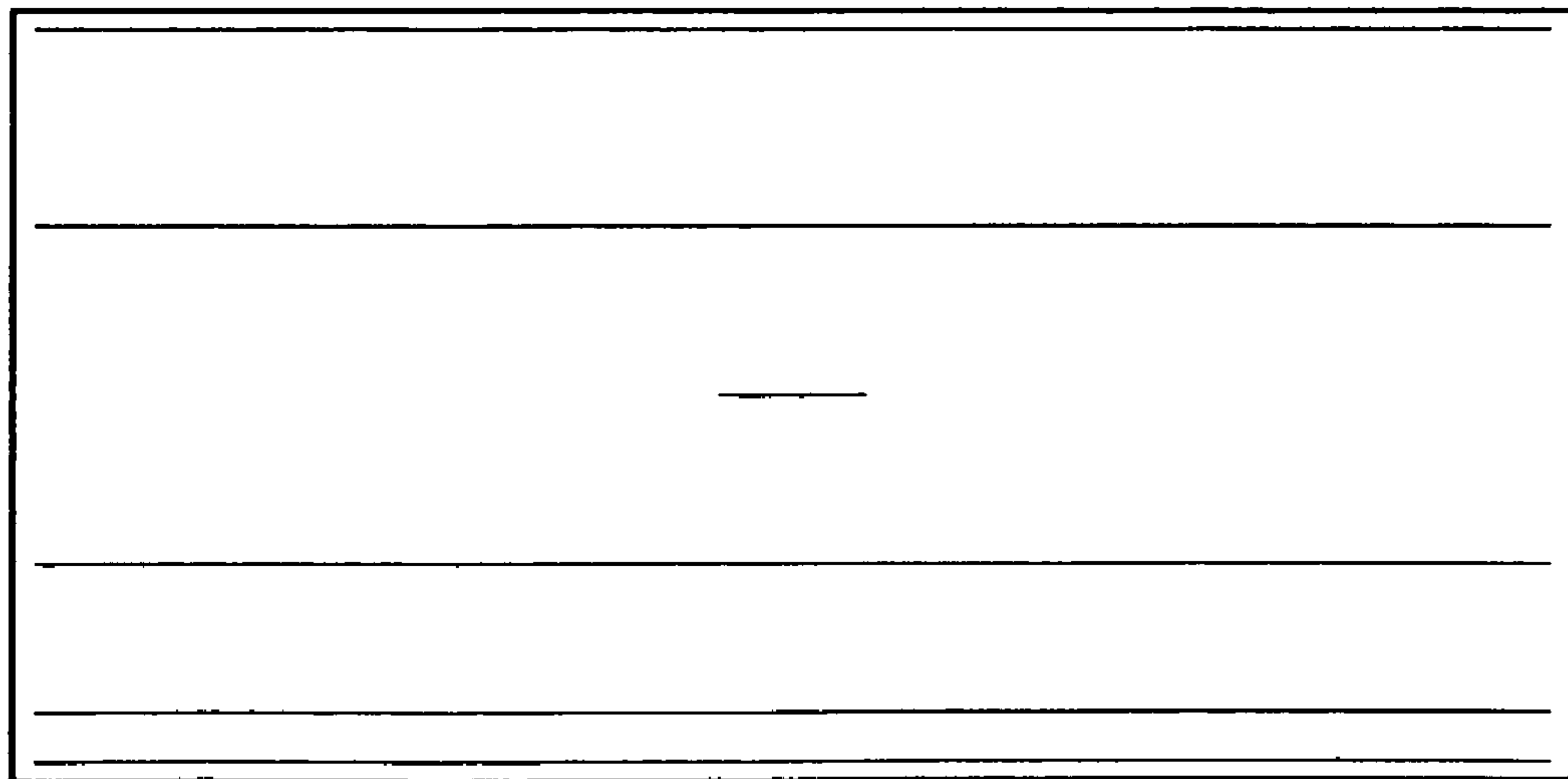


FIG. 4

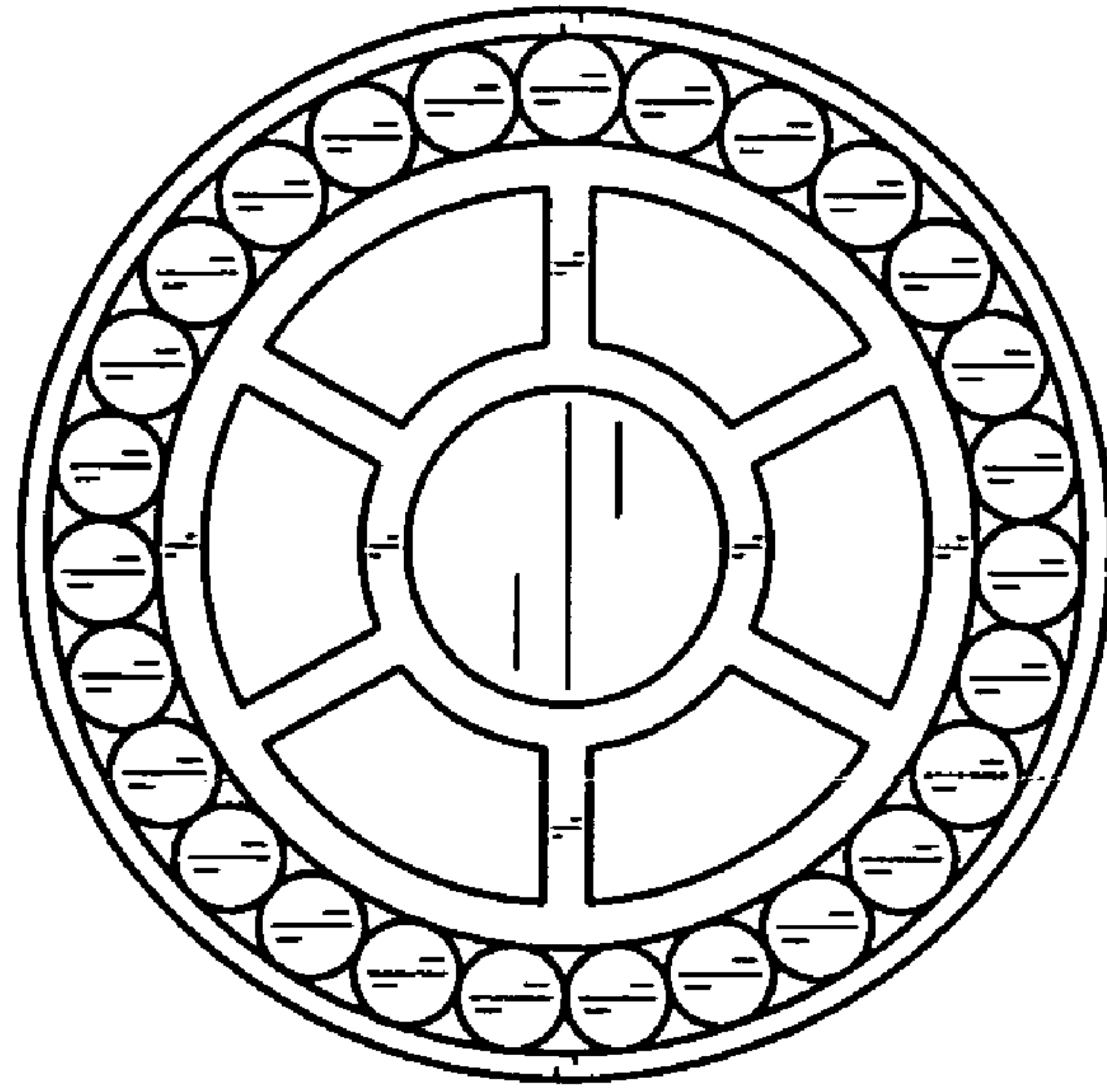


FIG. 5

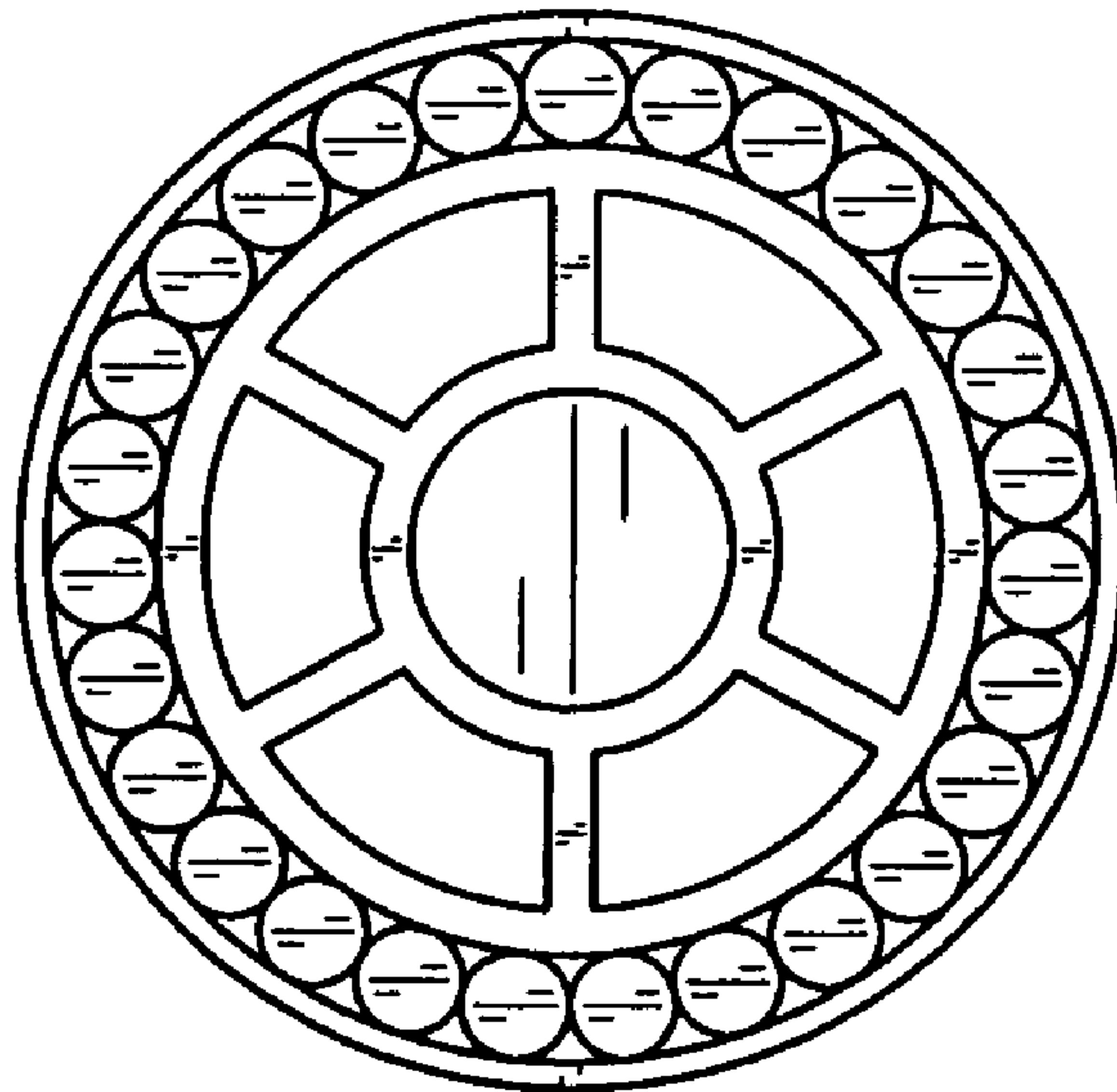


FIG. 6

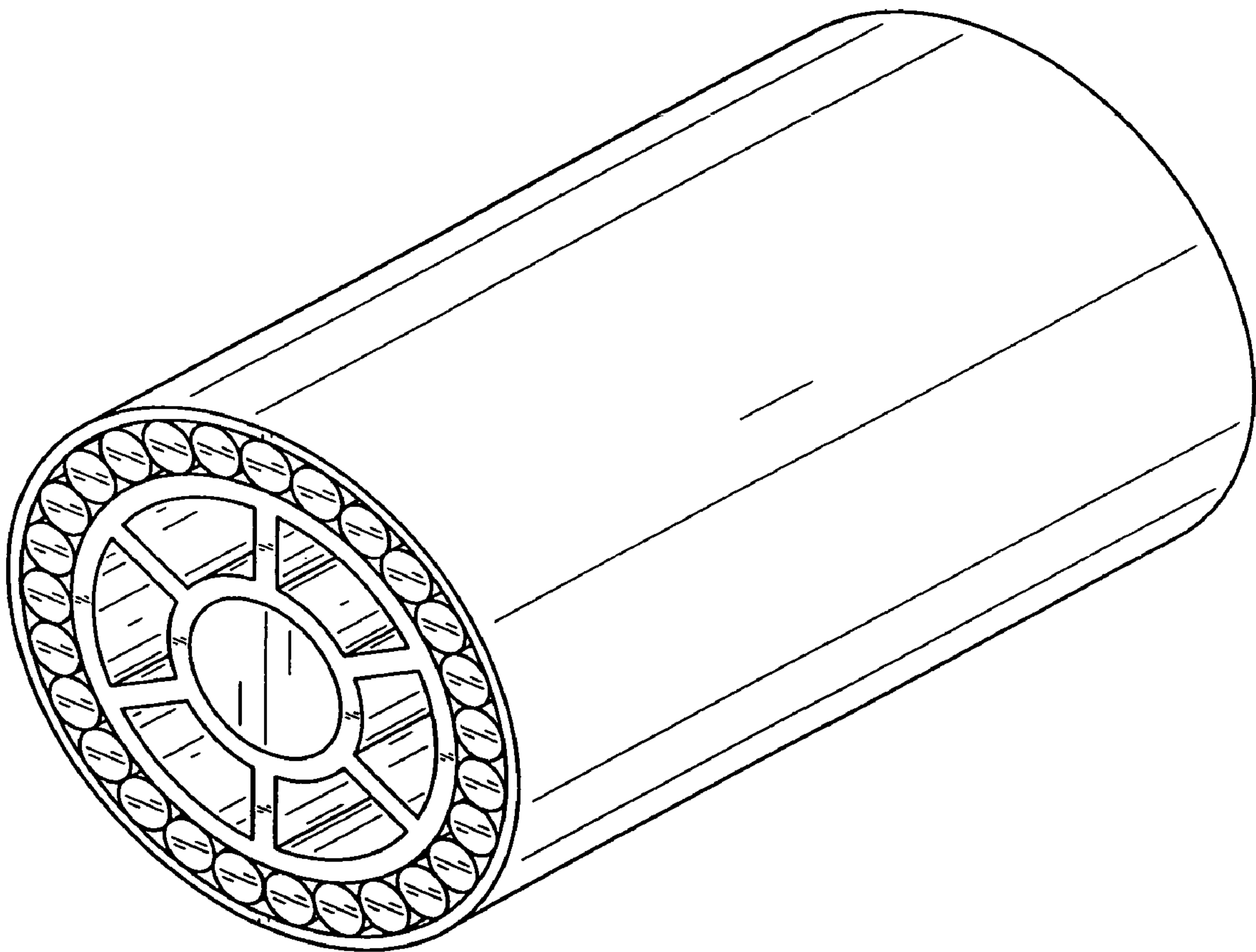


FIG. 7