



US00D597030S

(12) **United States Design Patent**
Glück

(10) **Patent No.:** **US D597,030 S**

(45) **Date of Patent:** **** Jul. 28, 2009**

(54) **CONTACT PLUG**

(75) Inventor: **Bettina Glück**, Bonn (DE)

(73) Assignee: **REMA Lipprandt GmbH & Co. KG**,
Bonn (DE)

(**) Term: **14 Years**

(21) Appl. No.: **29/251,909**

(22) Filed: **Jan. 13, 2006**

(30) **Foreign Application Priority Data**

Jul. 16, 2005 (DE) 405 03 675

(51) **LOC (9) Cl.** **13-03**

(52) **U.S. Cl.** **D13/133**

(58) **Field of Classification Search** D13/133,
D13/146, 147, 148, 149, 154, 184; 439/177,
439/180, 246, 249, 252, 266, 378, 476.1,
439/477, 884, 886, 890

See application file for complete search history.

(56) **References Cited**

U.S. PATENT DOCUMENTS

2,438,350 A * 3/1948 Reichard 439/219

D227,372 S * 6/1973 McLean, Jr. D13/149

D227,373 S * 6/1973 McLean, Jr. D13/149

4,178,052 A * 12/1979 Ekbohm et al. 439/268

D333,121 S * 2/1993 Craveiro D13/120

D540,265 S * 4/2007 Lai D13/149

* cited by examiner

Primary Examiner—Daniel D Bui

(74) *Attorney, Agent, or Firm*—Friedrich Kueffner

(57) **CLAIM**

The ornamental design for a contact plug, as shown and described.

DESCRIPTION

FIG. 1 is a top view of a contact plug, showing my new design; and,

FIG. 2 is a bottom view, with guard member removed.

1 Claim, 2 Drawing Sheets

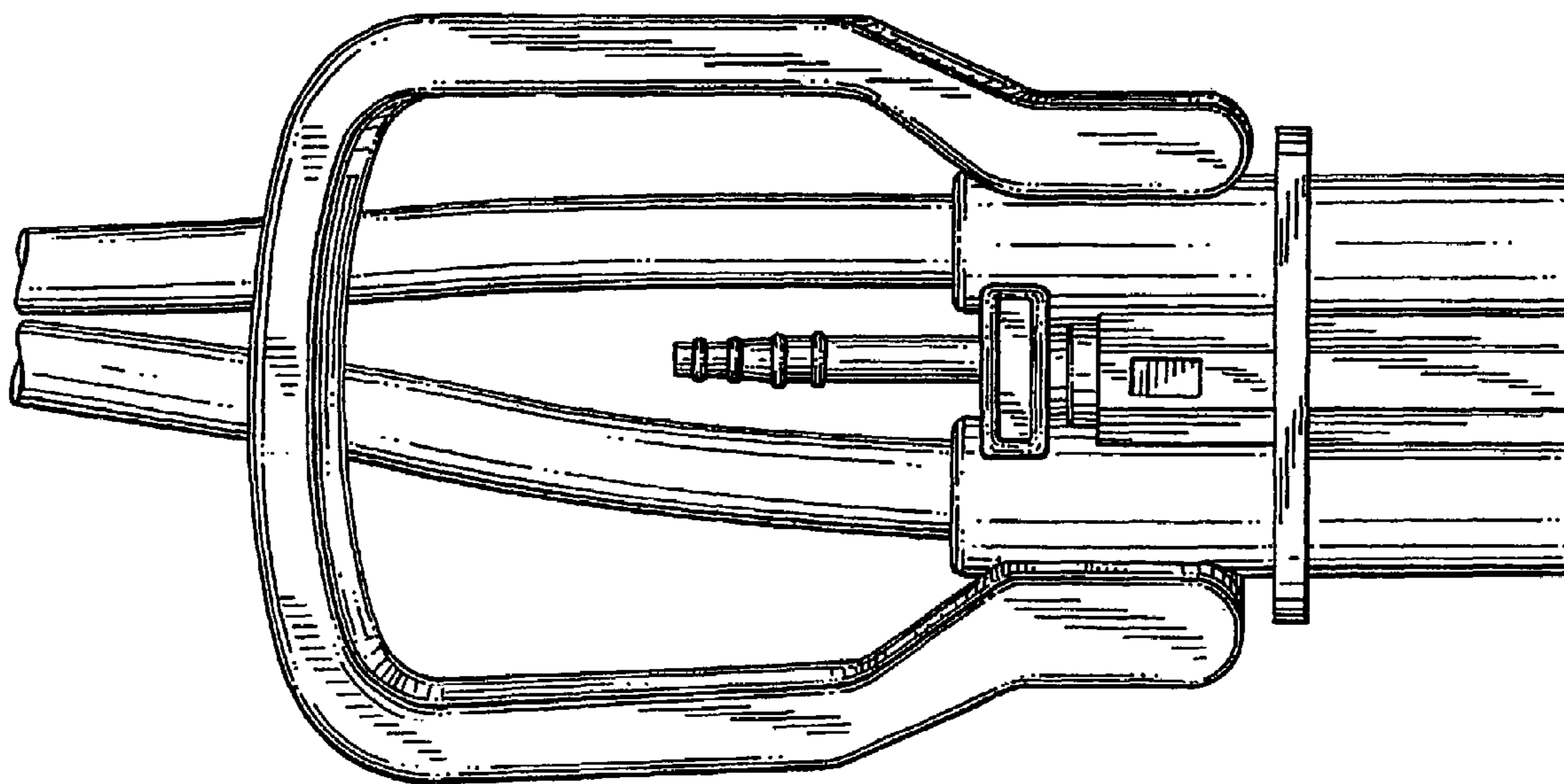
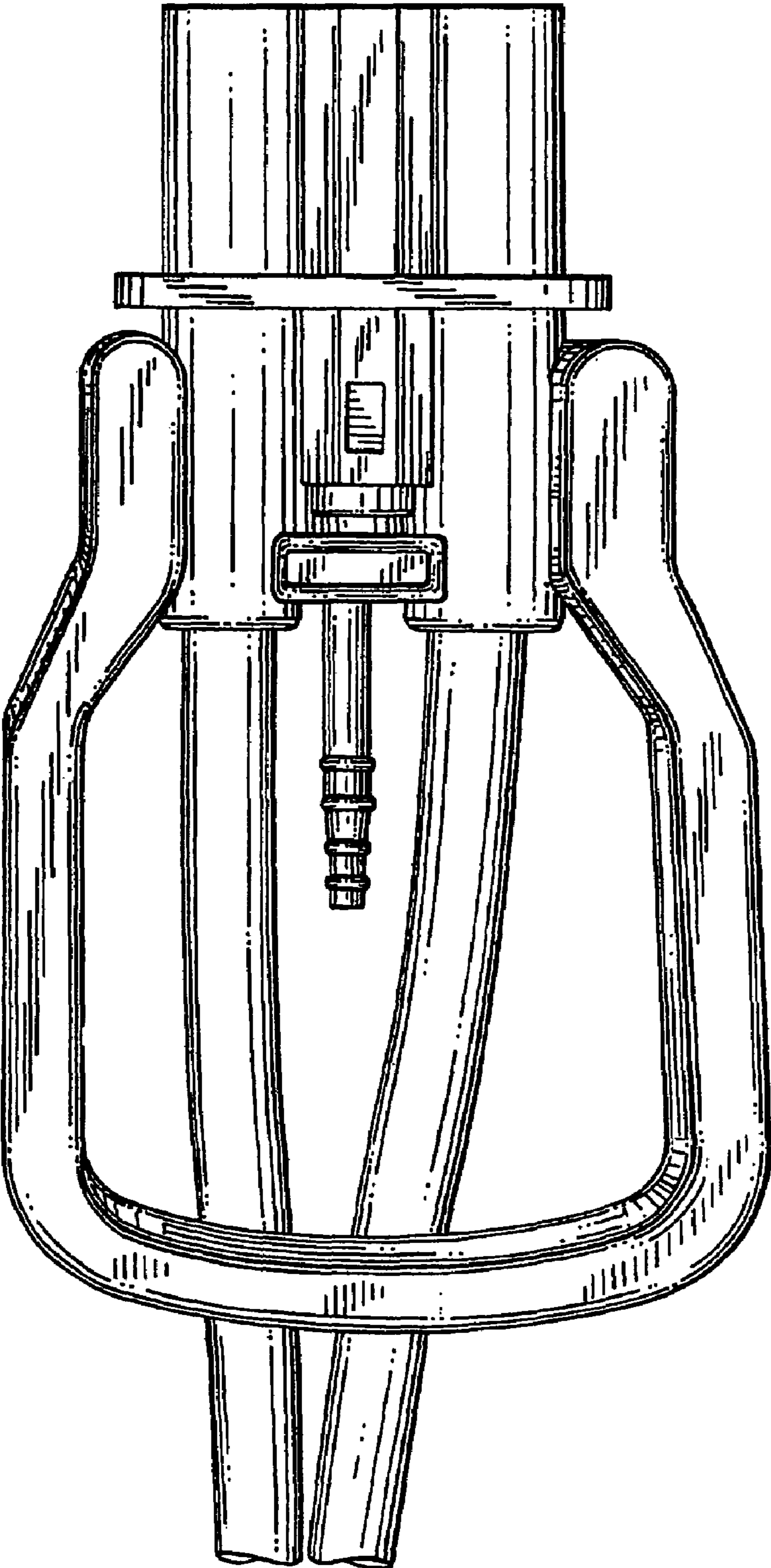


FIG. 1



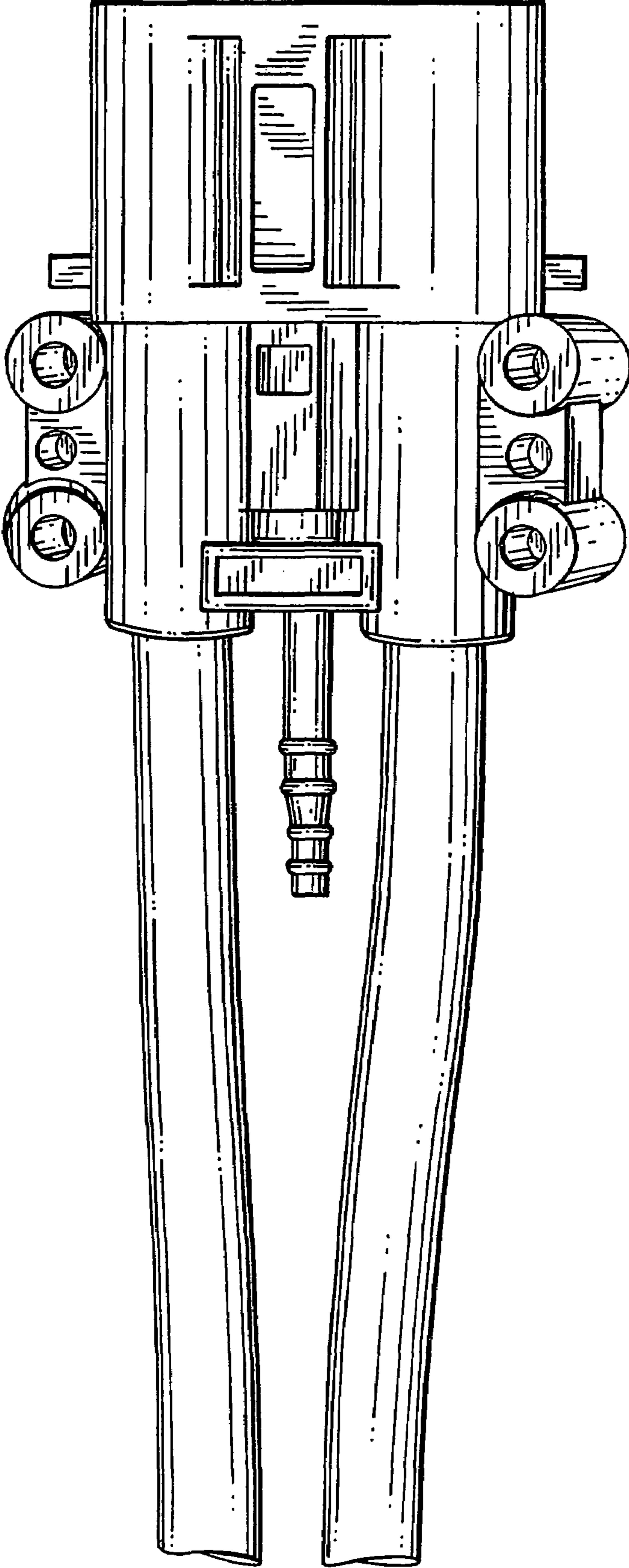


FIG. 2