

US00D597029S

(12) **United States Design Patent**
Li

(10) **Patent No.:** **US D597,029 S**

(45) **Date of Patent:** **** Jul. 28, 2009**

(54) **BATTERY CLIP**

(76) **Inventor:** **Jacky Li**, 701, 7/F, Sunbeam Center, 27 Shing Yip Street, Kwun Tong, Kowloon (HK)

(**) **Term:** **14 Years**

(21) **Appl. No.:** **29/290,390**

(22) **Filed:** **Nov. 29, 2007**

(51) **LOC (9) Cl.** **13-03**

(52) **U.S. Cl.** **D13/120**

(58) **Field of Classification Search** D13/102–106, D13/110, 118–121, 133, 154, 156, 184; 429/96–100, 429/163, 176; 439/500; 455/343.1
See application file for complete search history.

(56) **References Cited**

U.S. PATENT DOCUMENTS

D258,818 S *	4/1981	Johnson et al.	D13/120
D304,928 S *	12/1989	Mize	D13/120
D329,636 S *	9/1992	Nesiba	D13/120
D333,121 S *	2/1993	Craveiro	D13/120
D346,149 S *	4/1994	Deering	D13/120
D351,372 S *	10/1994	Donovan, Jr.	D13/120

D512,374 S * 12/2005 Kuelbs et al. D13/120

* cited by examiner

Primary Examiner—Jennifer Rivard

Assistant Examiner—Rosemary K Tarcza

(74) *Attorney, Agent, or Firm*—Holland & Knight LLP

(57) **CLAIM**

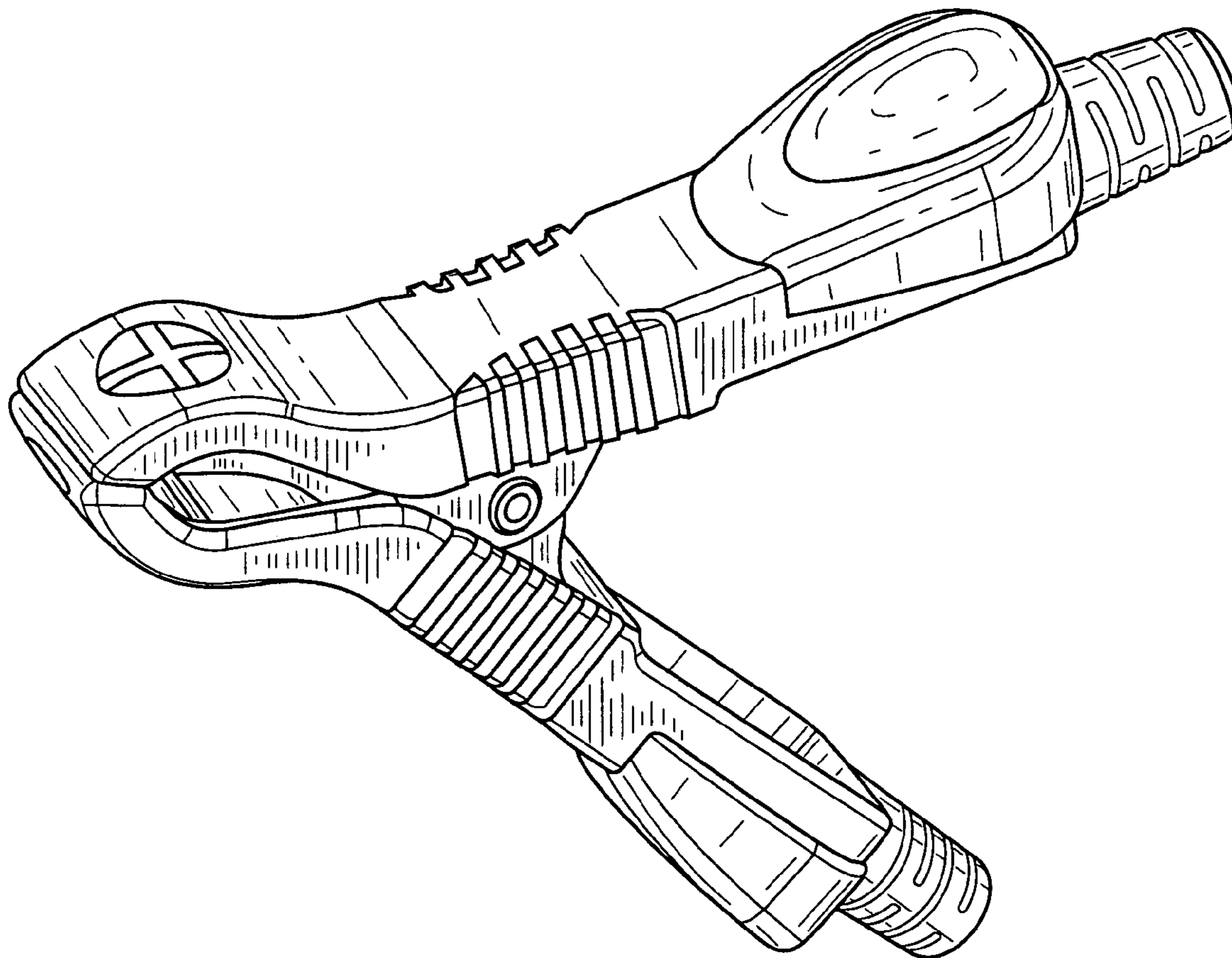
The ornamental design for a battery clip, as shown and described.

DESCRIPTION

FIG. 1 is a front view of the new design for a battery clip; FIG. 2 is a back view of the new design for a battery clip; FIG. 3 is a left view of the new design for a battery clip; FIG. 4 is a right view of the new design of a battery clip; FIG. 5 is a bottom view of the new design of a battery clip; FIG. 6 is a top view of the new design of a battery clip; and, FIG. 7 is a perspective view of the new design of a battery clip.

The broken lines shown are included for the purpose of illustrating environmental structure and form no part of the claimed design.

1 Claim, 4 Drawing Sheets



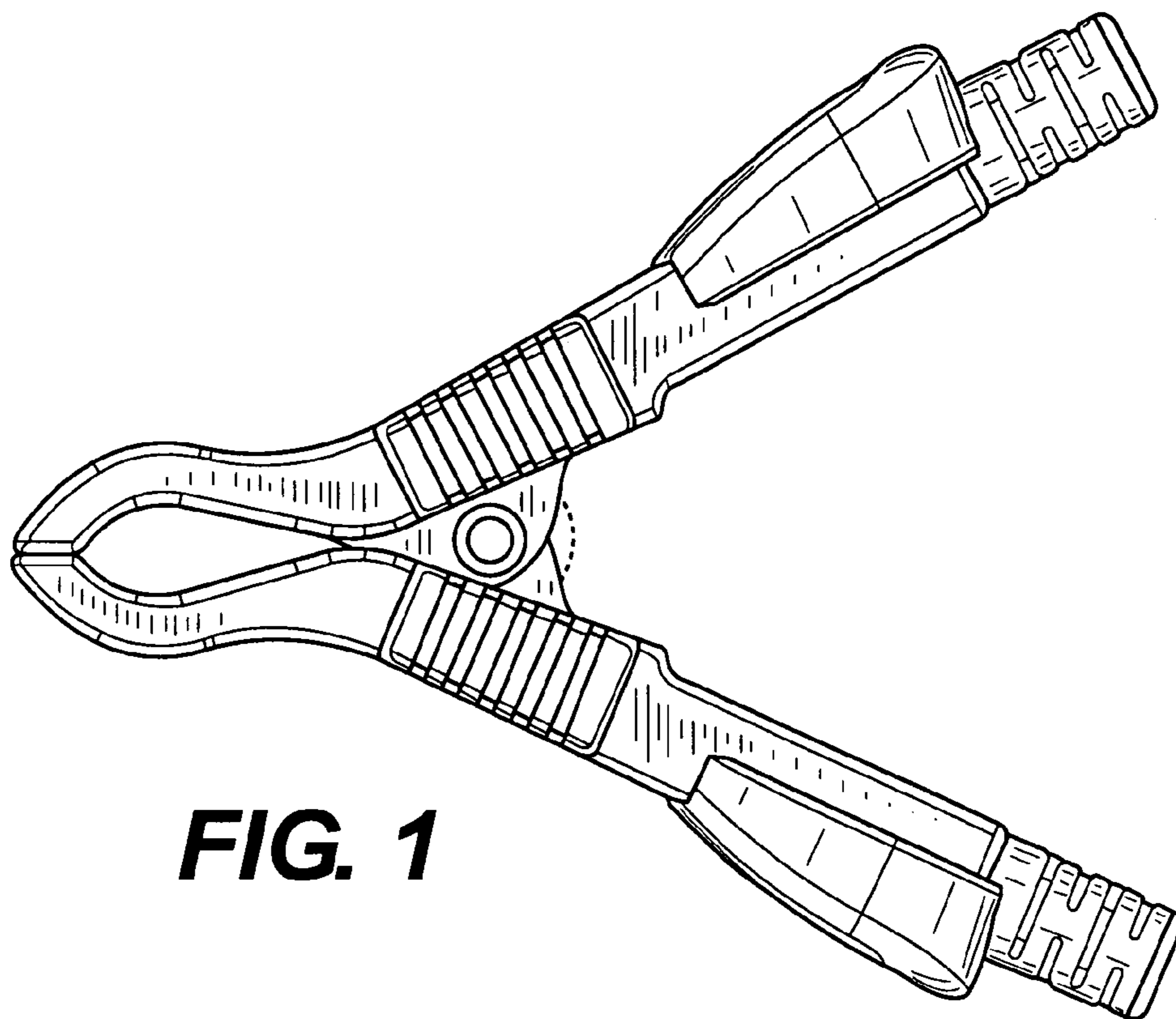


FIG. 1

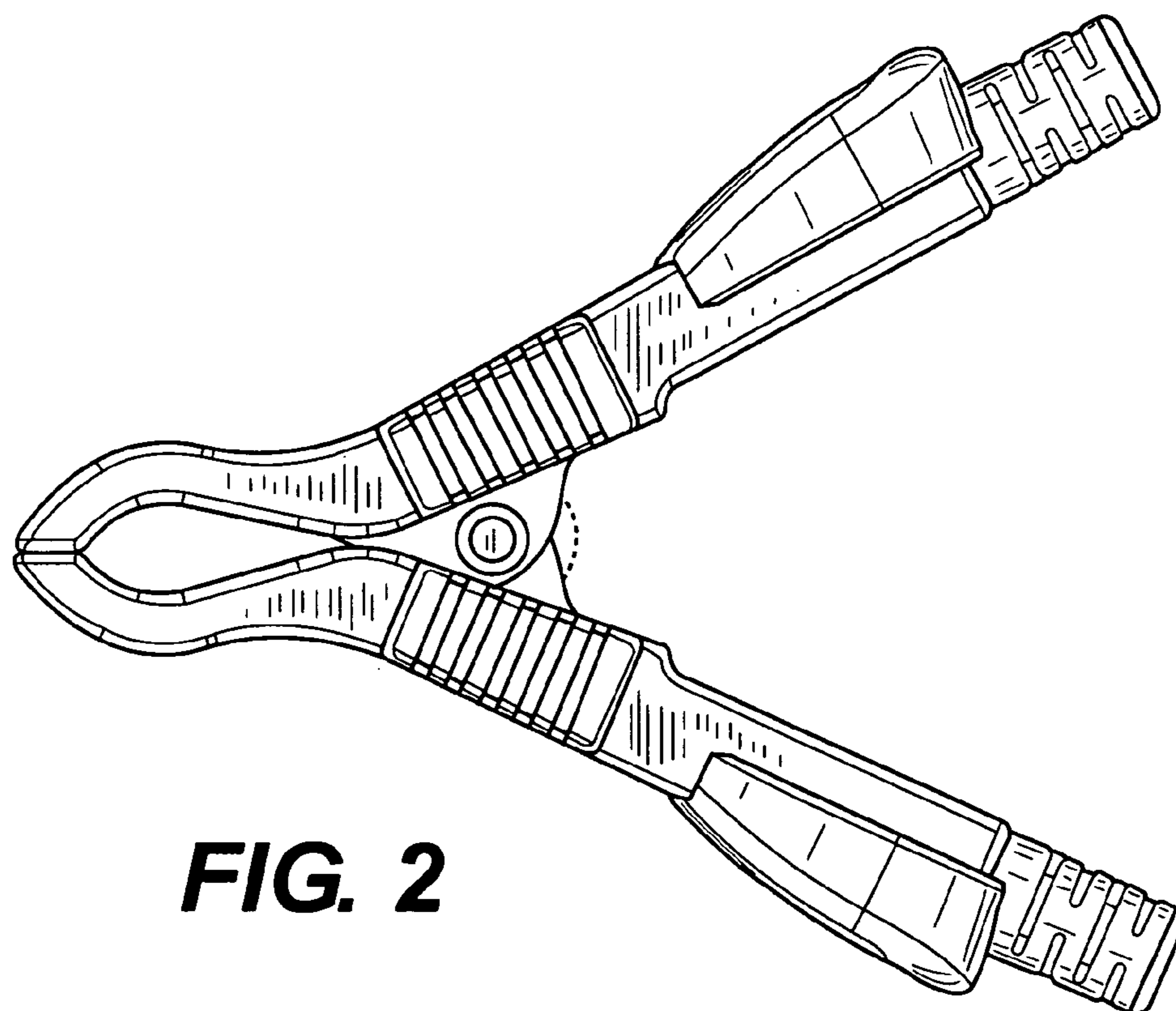


FIG. 2

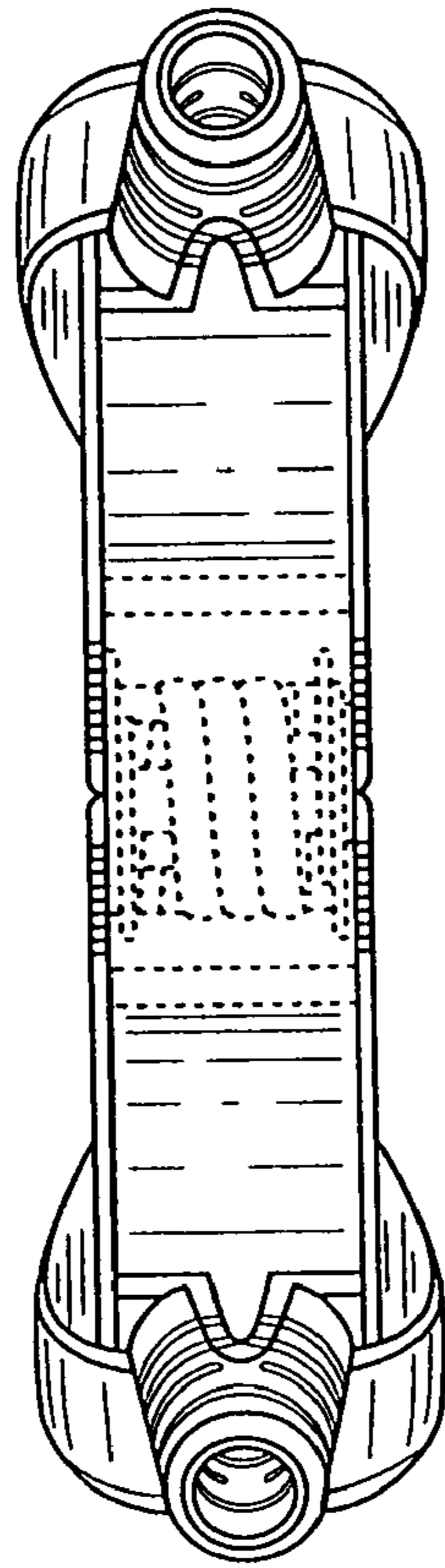


FIG. 3

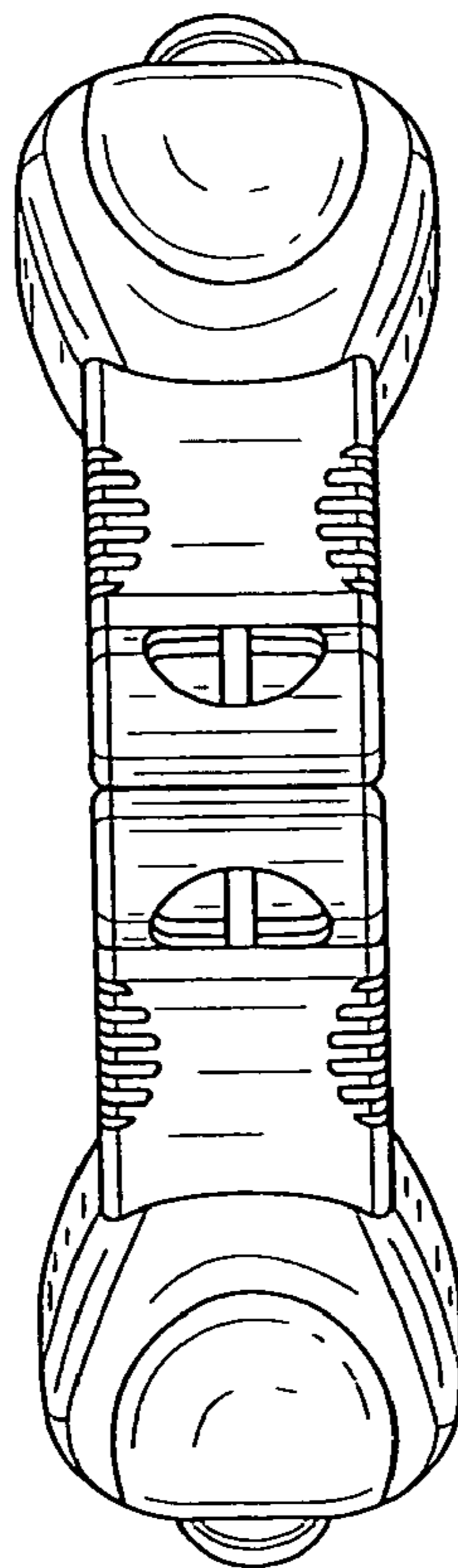


FIG. 4

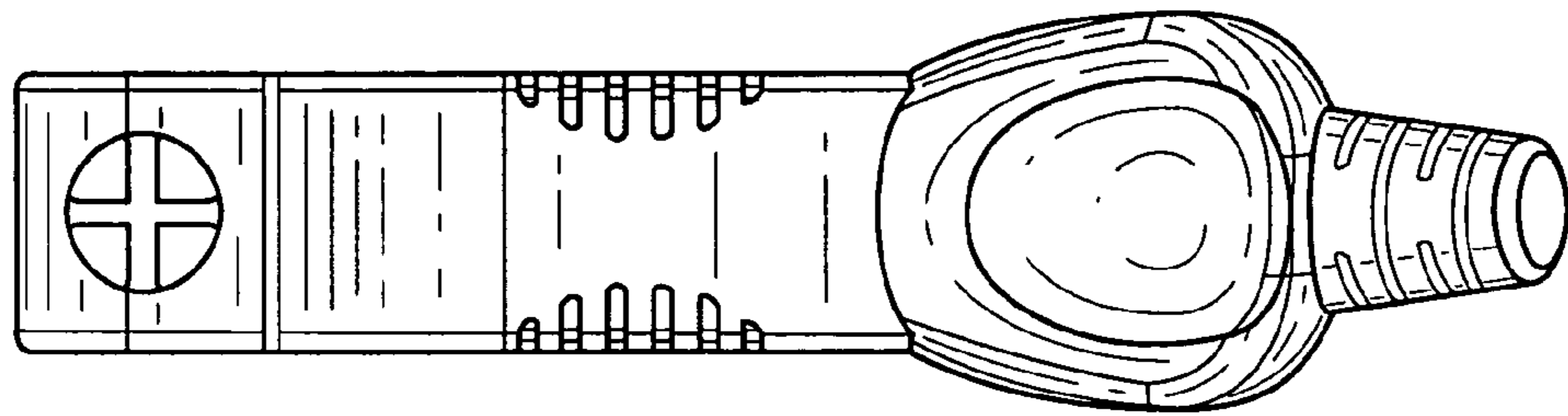


FIG. 5

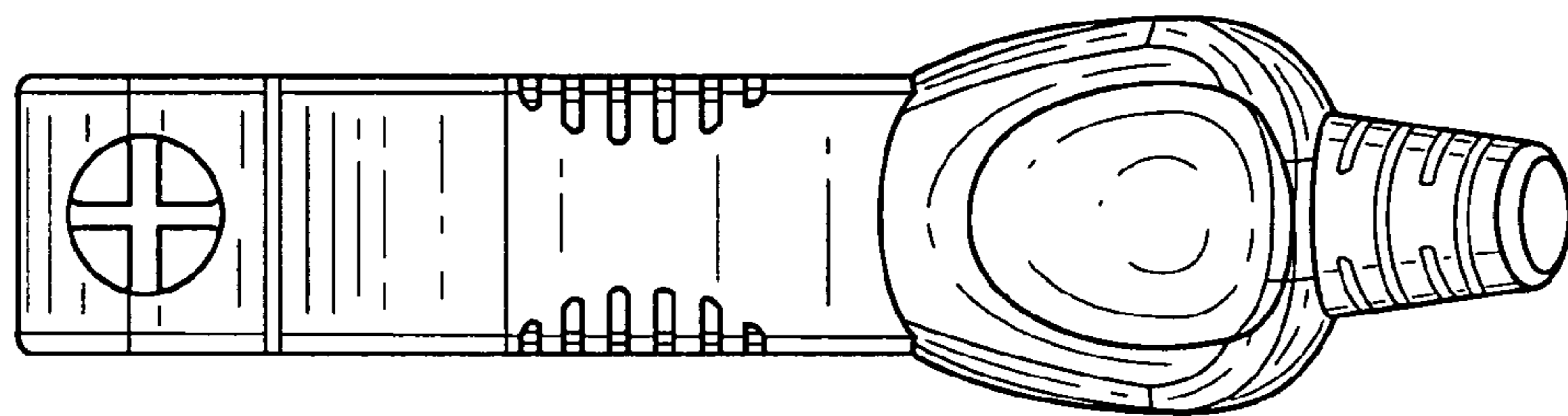


FIG. 6

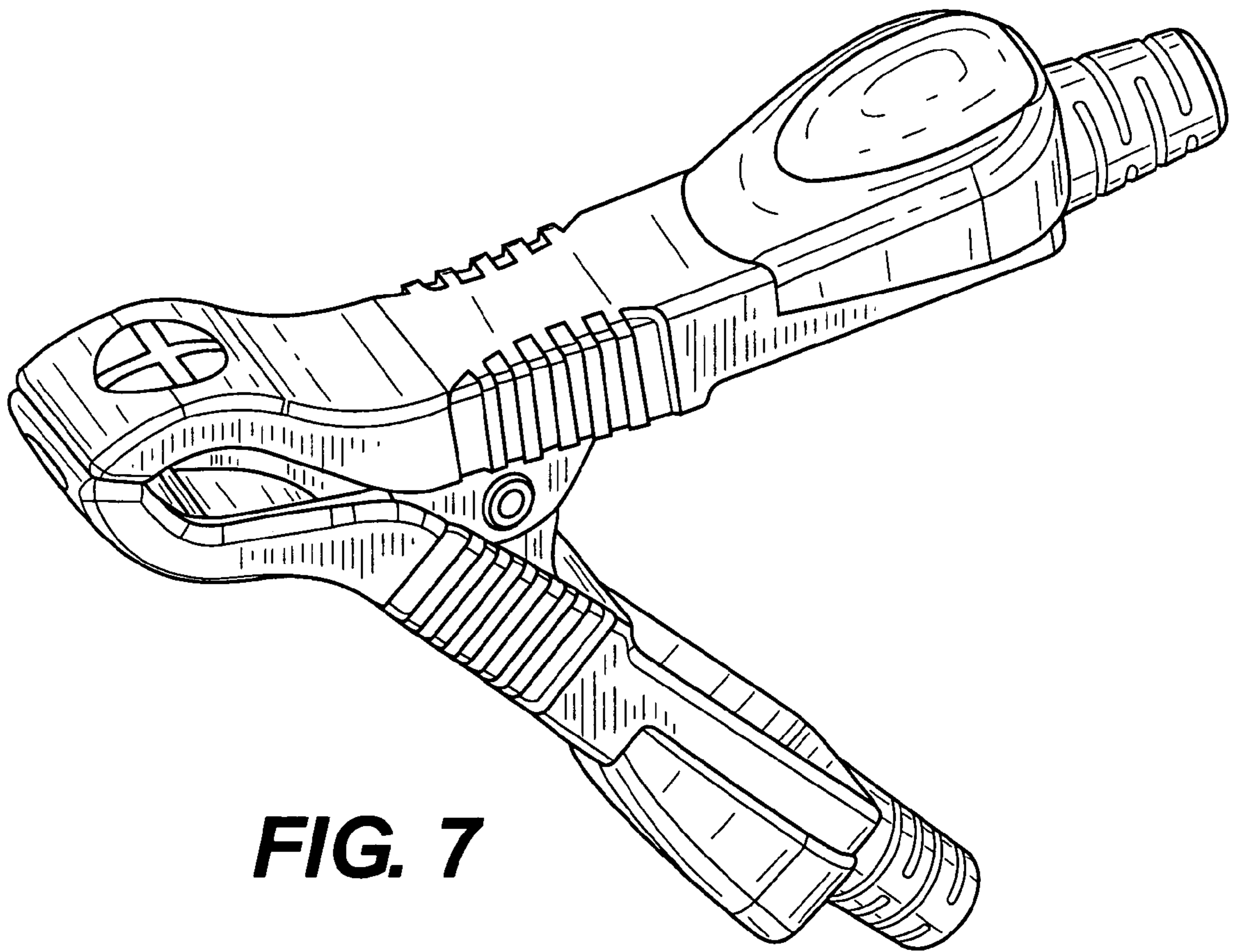


FIG. 7