

US00D597026S

(12) **United States Design Patent**
Bürger

(10) **Patent No.:** **US D597,026 S**
(45) **Date of Patent:** **** Jul. 28, 2009**

(54) **PIPE BENDING APPARATUS**

2005/0284467 A1* 12/2005 Patterson 126/580

(75) Inventor: **Stefan Bürger**, Baunatal (DE)

OTHER PUBLICATIONS

(73) Assignee: **Senior BerghOfer GmbH** (DE)

U.S. Appl. No. 29/278,890, filed Apr. 12, 2007.
Publication of European Community Trademark No. 000603253-0001, published Nov. 21, 2006, 3 pages corresponding to U.S. design application listed above.

(**) Term: **14 Years**

* cited by examiner

(21) Appl. No.: **29/297,768**

Primary Examiner—Prabhakar Deshmukh
Assistant Examiner—Derrick Holland

(22) Filed: **Nov. 16, 2007**

(74) *Attorney, Agent, or Firm*—Christie, Parker & Hale, LLP

(30) **Foreign Application Priority Data**

May 16, 2007 (DE) 4 07 02 684

(57) **CLAIM**

(51) **LOC (9) Cl.** **13-02**

The ornamental design for pipe bending apparatus, as shown and described.

(52) **U.S. Cl.** **D13/102**

(58) **Field of Classification Search** D13/102,
D13/101, 199; D23/265, 266; D34/27; 126/569,
126/571, 580, 655, 659, 710; 136/206, 244–251
See application file for complete search history.

DESCRIPTION

FIG. 1 is a front perspective view of a pipe bending apparatus showing my new design;

(56) **References Cited**

U.S. PATENT DOCUMENTS

- D26,562 S * 1/1897 Pike D23/266
- 2,074,952 A * 3/1937 Albers et al. 416/9
- D258,232 S * 2/1981 Weis D13/102
- 4,346,694 A * 8/1982 Moan 126/655
- 4,372,292 A * 2/1983 Ort 126/622
- D270,660 S * 9/1983 Ort D13/102
- D286,935 S * 11/1986 Travis D34/31
- D303,244 S * 9/1989 Hanak D13/102
- D375,600 S * 11/1996 Hirano et al. D34/27
- D425,013 S * 5/2000 Lai D13/102
- D454,386 S * 3/2002 Speicher D23/266
- D474,444 S * 5/2003 Elgner D13/102

FIG. 2 is a front view thereof;

FIG. 3 is a left side view thereof;

FIG. 4 is a rear view thereof;

FIG. 5 is a right side view thereof;

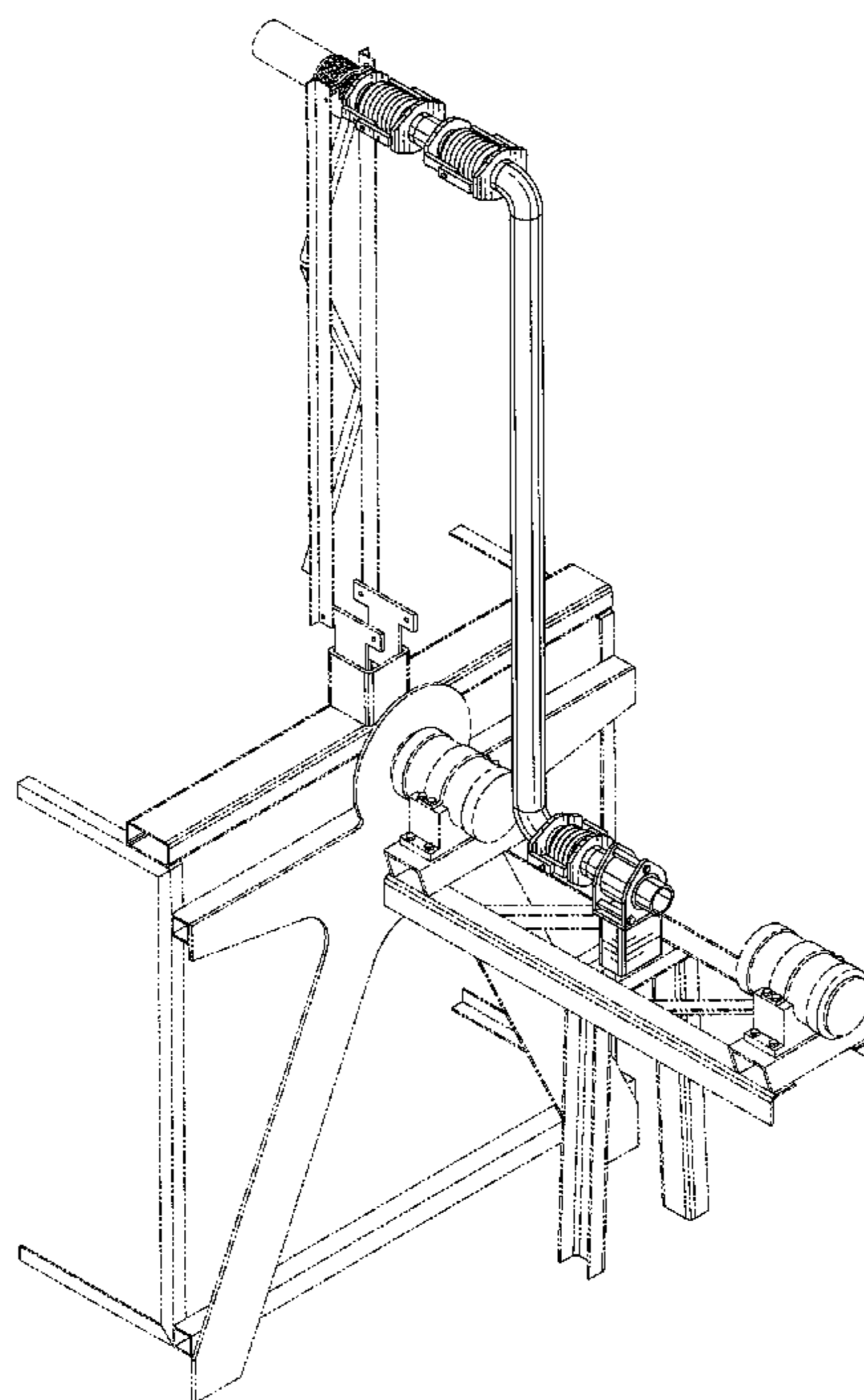
FIG. 6 is a top plan view thereof; and,

FIG. 7 is a bottom plan view thereof.

The broken lines which define the bounds of the claimed design form no part thereof.

The broken lines shown represent unclaimed subject matter and form no part of the claimed design.

1 Claim, 7 Drawing Sheets



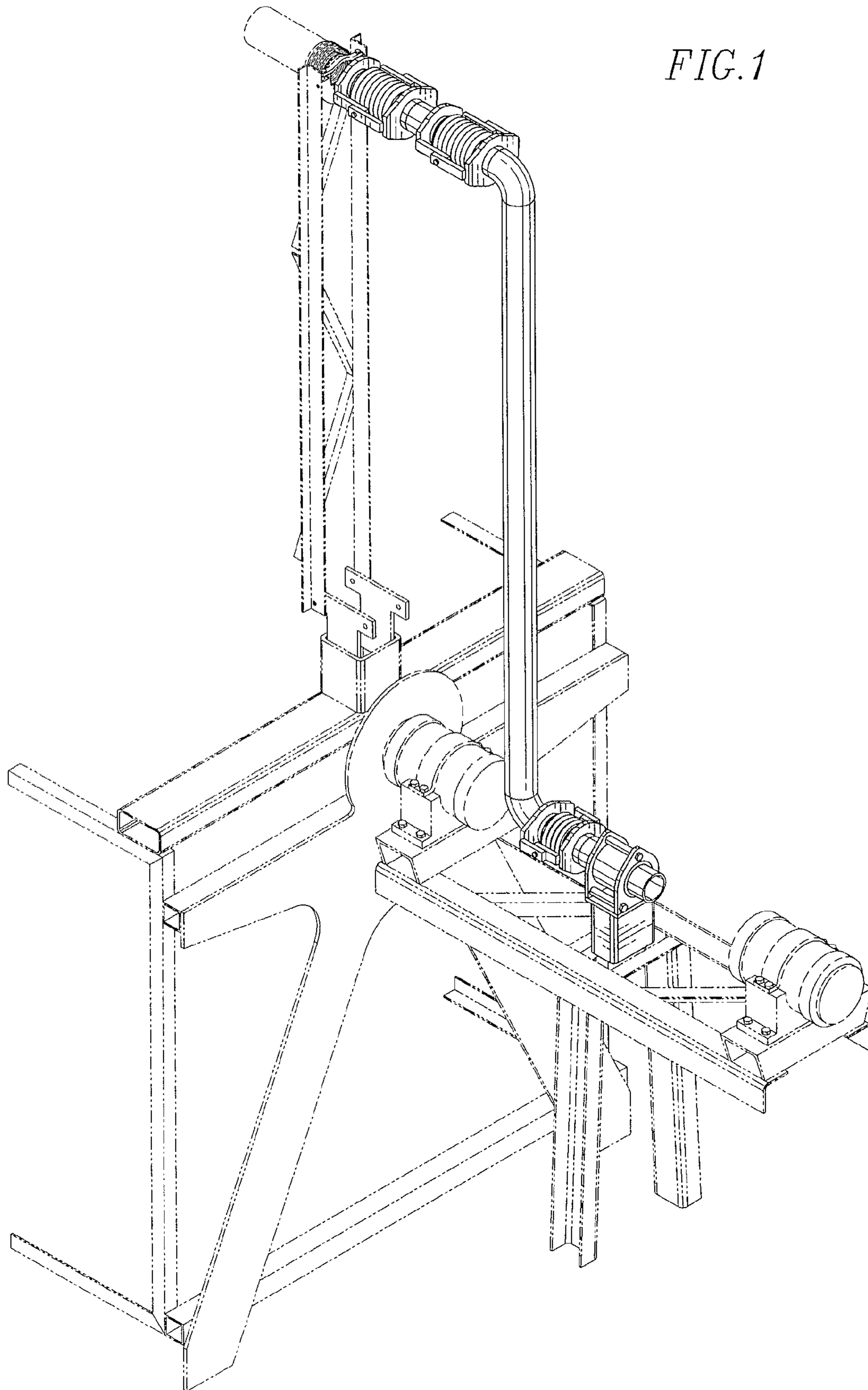
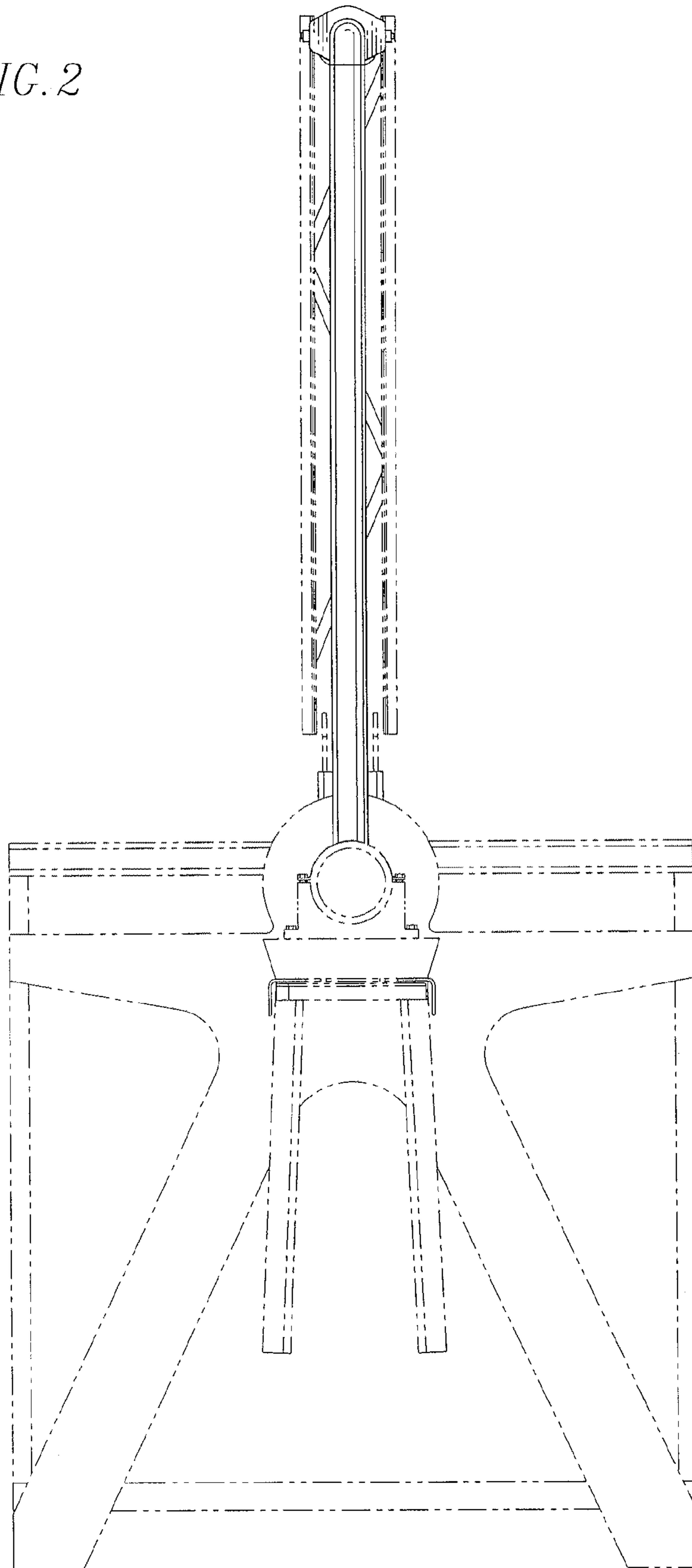


FIG. 2



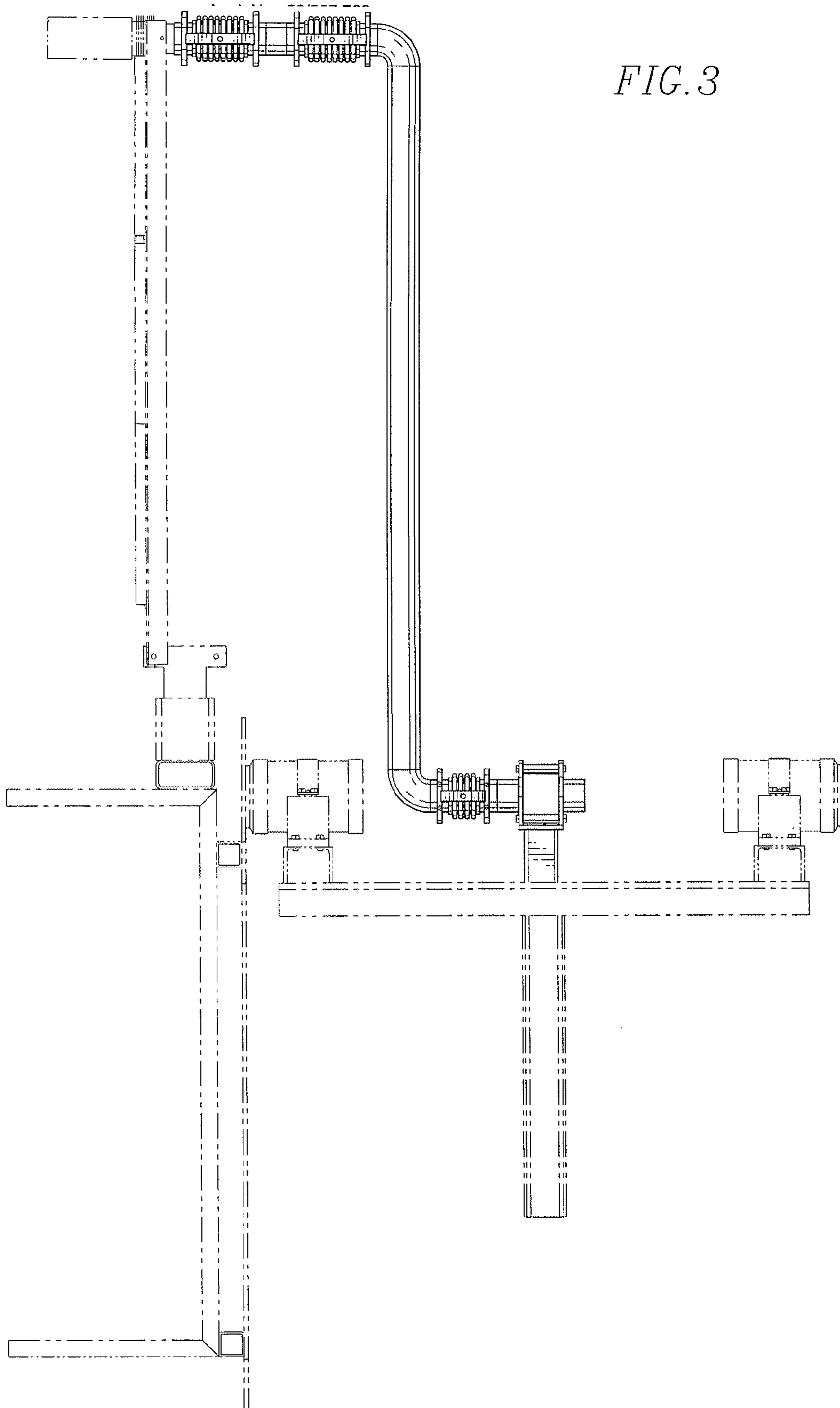


FIG. 4

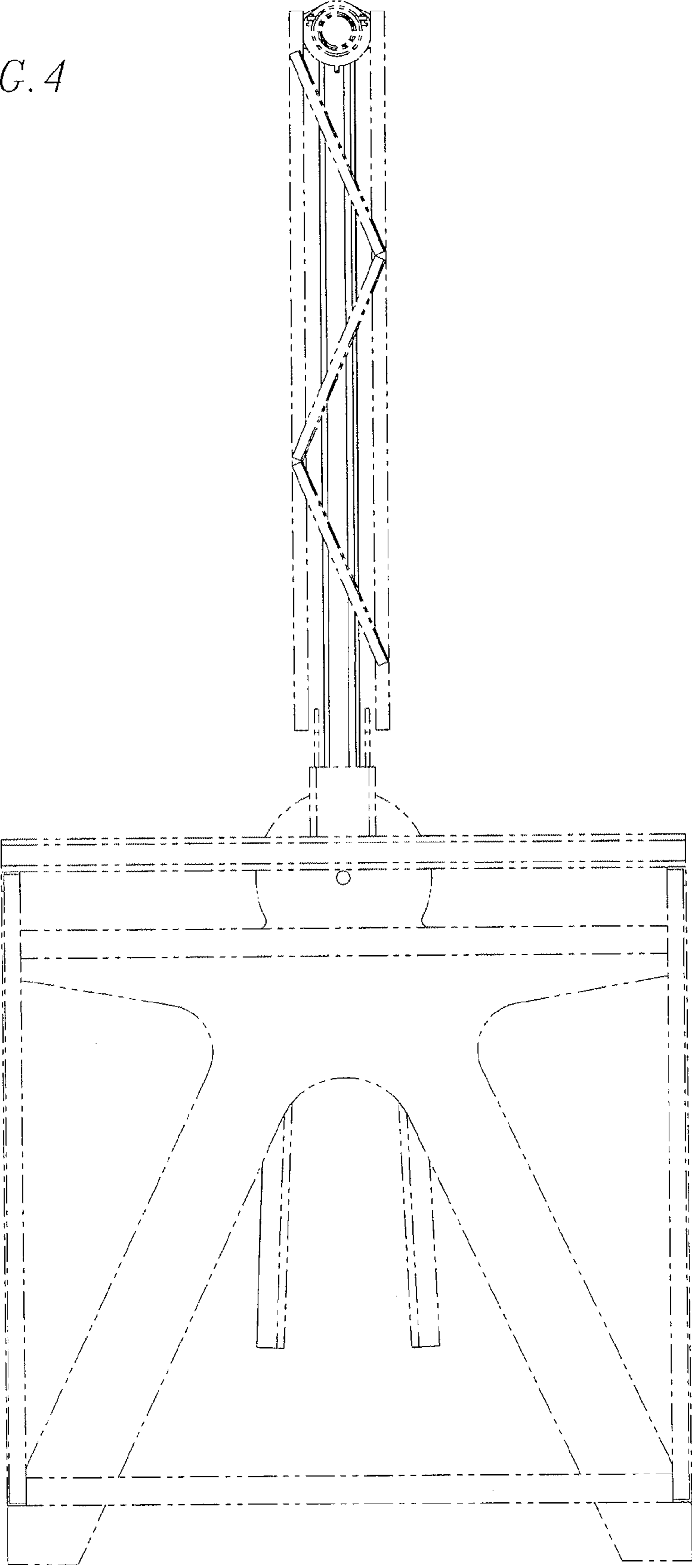


FIG. 5

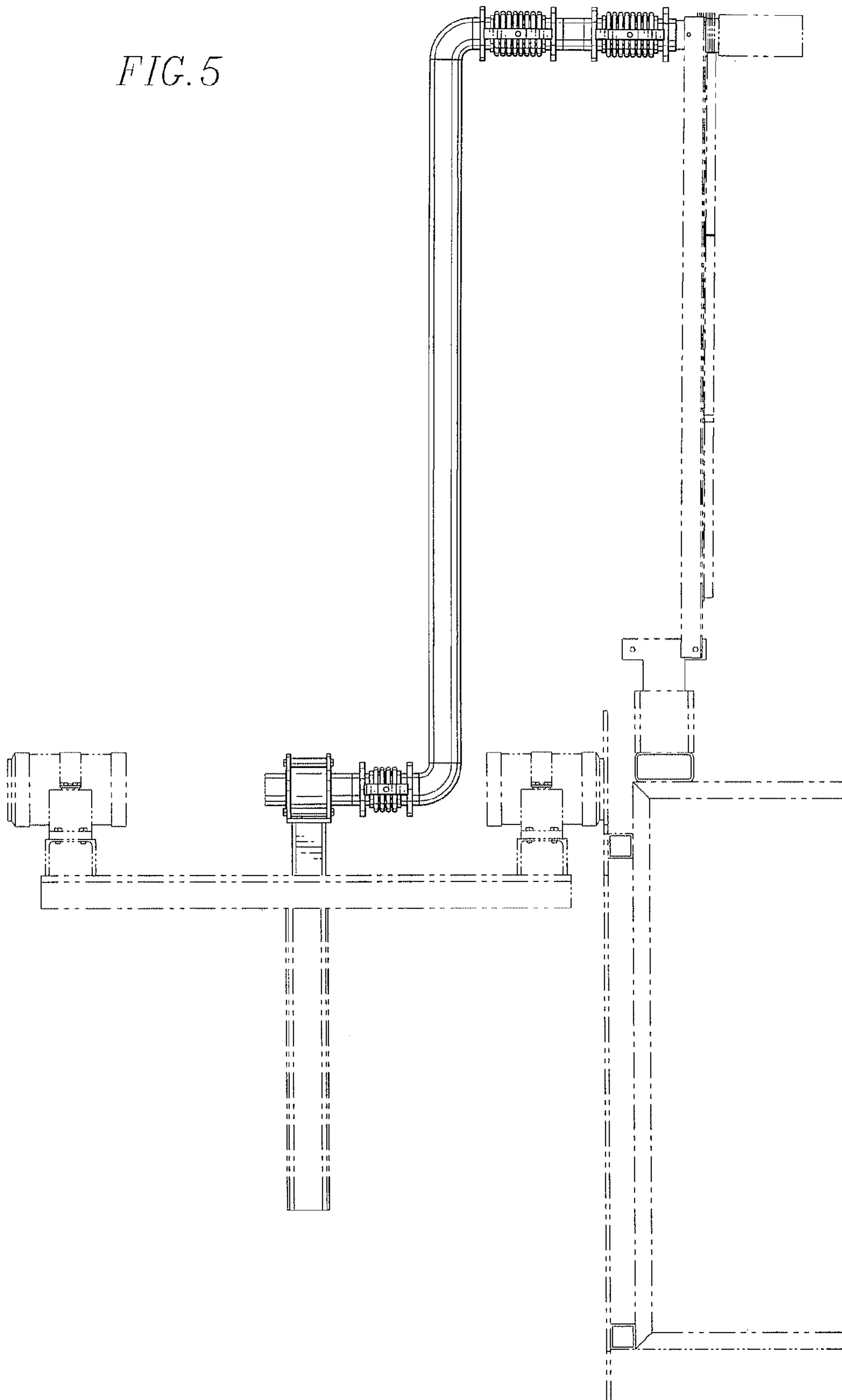


FIG. 6

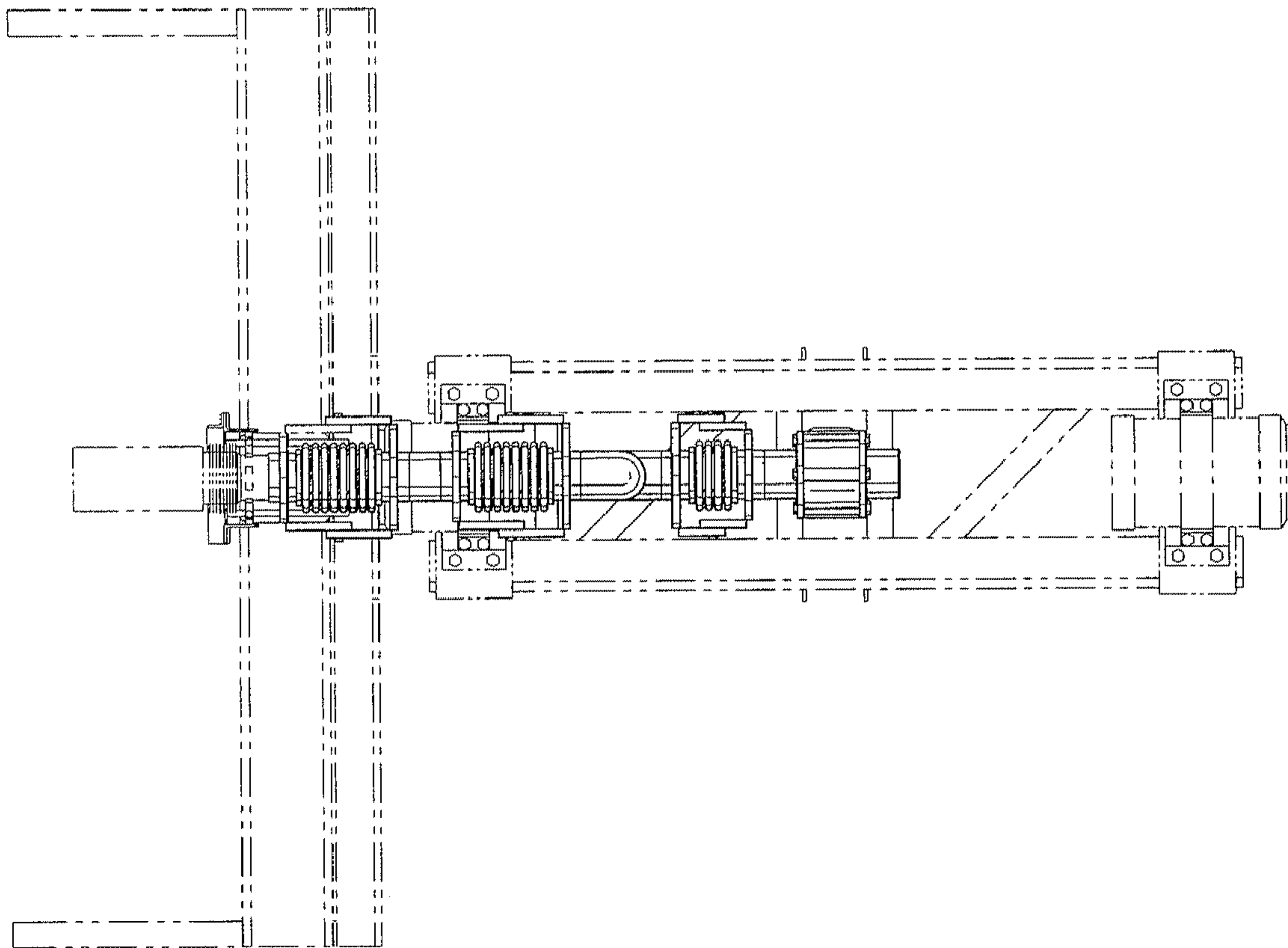


FIG. 7

