

US00D597017S

(12) **United States Design Patent**
Kawamoto

(10) **Patent No.:** **US D597,017 S**
(45) **Date of Patent:** **** Jul. 28, 2009**

(54) **WIPER BLADE RUBBER**

2008/0134454 A1* 6/2008 Choi 15/250.31

(75) Inventor: **Eiichi Kawamoto**, Saitama (JP)

* cited by examiner

(73) Assignee: **Fukoku Co., Ltd.**, Saitama (JP)

Primary Examiner—Caron Veynar

Assistant Examiner—Katrina A Kile

(**) Term: **14 Years**

(74) *Attorney, Agent, or Firm*—Rader, Fishman & Grauer, PLLC

(21) Appl. No.: **29/263,620**

(57) **CLAIM**

(22) Filed: **Jul. 27, 2006**

The ornamental design for a wiper blade rubber, as shown and described.

(30) **Foreign Application Priority Data**

Jan. 27, 2006 (JP) 2006-001777

Jan. 27, 2006 (JP) 2006-001781

DESCRIPTION

(51) **LOC (9) Cl.** **12-06**

FIG. 1 is a perspective view of a wiper blade rubber showing my new design;

(52) **U.S. Cl.** **D12/220**

FIG. 2 is a front elevational view thereof;

(58) **Field of Classification Search** D12/219–220;
15/246, 247, 250.001, 250.41, 250.4, 250.361,
15/250.19, 250.48, 250.03, 250.31–250.33,
15/250.351, 250.38, 250.201, 250.451–458,
15/250.04, 250.07, 250.44

FIG. 3 is an enlarged rear elevational view thereof;

FIG. 4 is a top plan view thereof;

FIG. 5 is an enlarged bottom plan view thereof;

See application file for complete search history.

FIG. 6 is an enlarged perspective view of a portion of the wiper blade rubber, which is taken along a line 6—6 in a direction of arrows of FIG. 1; and,

(56) **References Cited**

U.S. PATENT DOCUMENTS

D248,388 S * 7/1978 Hughes D12/220

5,349,718 A * 9/1994 Gibbon 15/250.48

D457,479 S * 5/2002 De Block et al. D12/219

D537,769 S * 3/2007 Duvall, Jr. D12/219

D568,801 S * 5/2008 Machida et al. D12/219

2003/0014828 A1 1/2003 Edner-Walter et al.

2003/0019066 A1 1/2003 Egner-Walter et al.

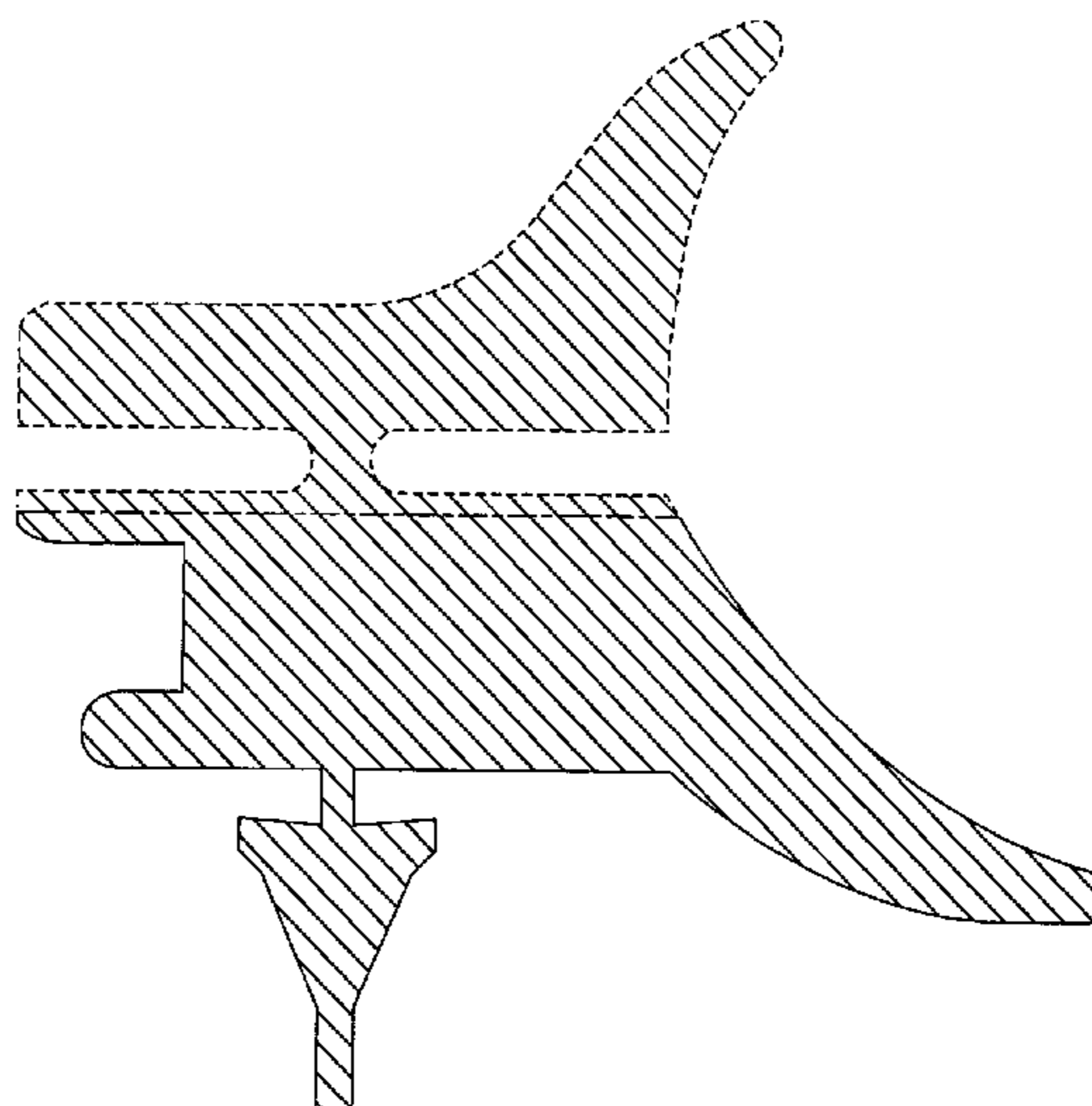
2004/0187247 A1* 9/2004 Torii et al. 15/250.201

2008/0078051 A1* 4/2008 Herring et al. 15/250.001

FIG. 7 is a reference enlarged cross-sectional view of the wiper blade rubber taken along a line 7—7 in a direction of arrows of FIG. 2.

The even broken line showings of the wiper blade rubber of FIGS. 1–7 are for illustrative purpose only and form no part of the claimed design. The dot-dash broken lines shown in FIGS. 1–7 define, but are not included in, the boundaries of the claimed design.

1 Claim, 7 Drawing Sheets



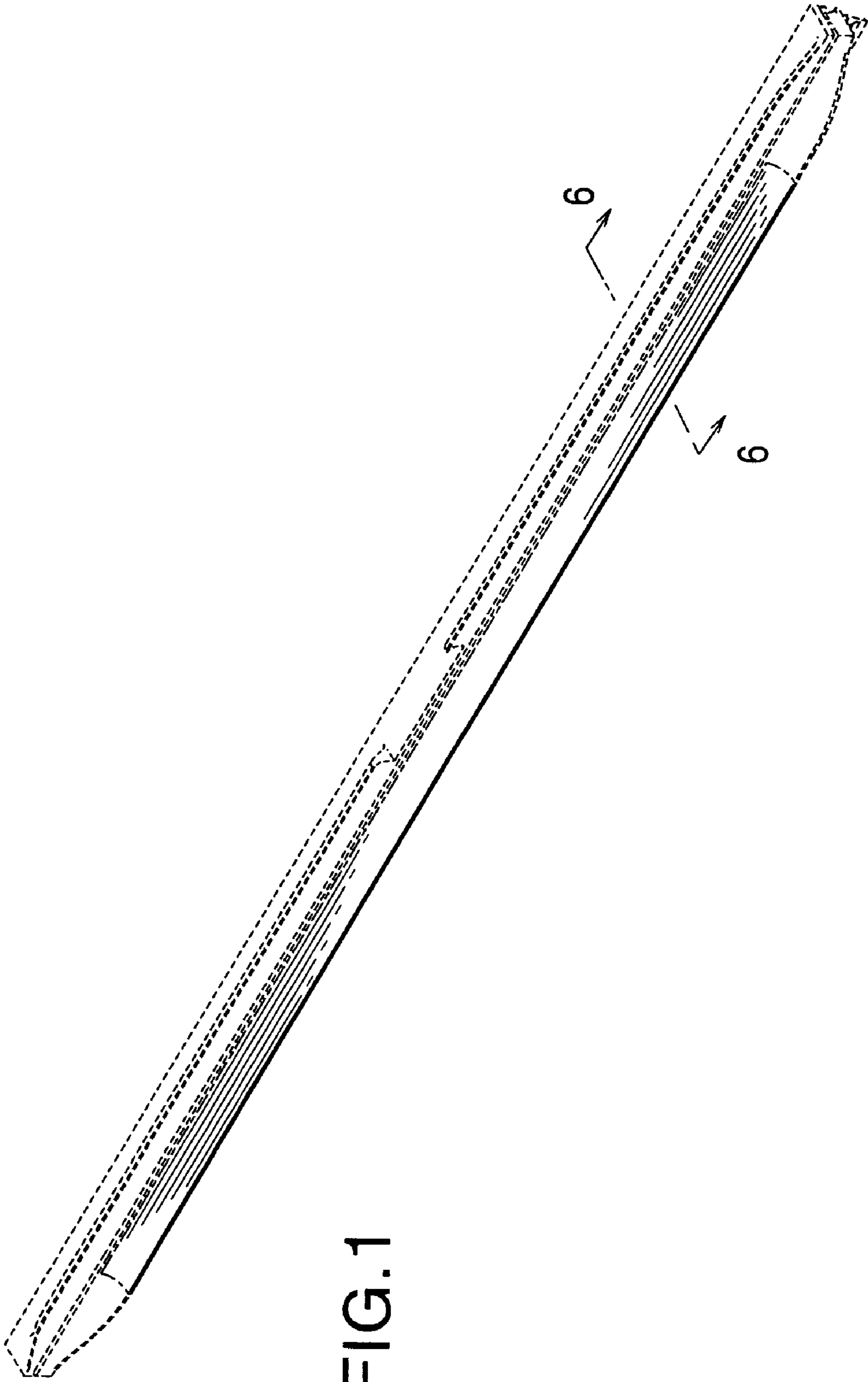


FIG. 1

FIG.2

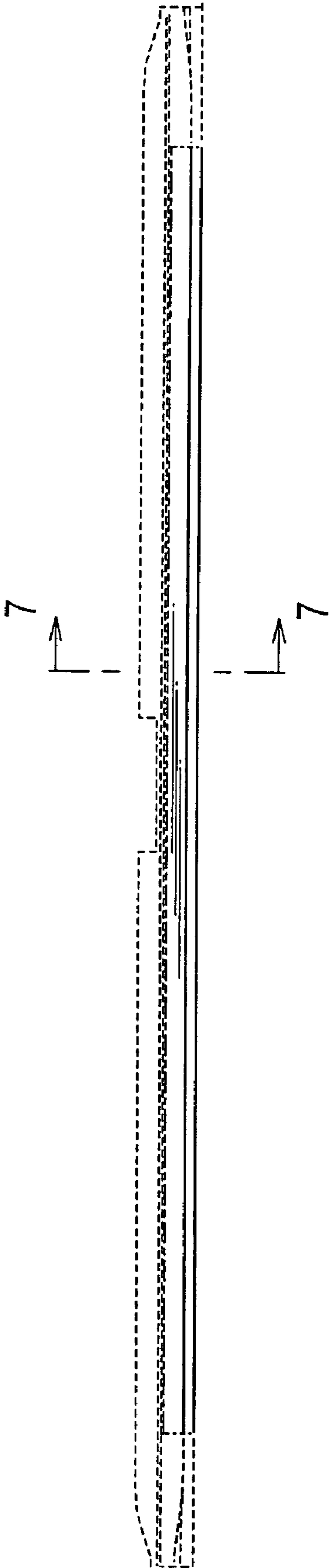


FIG.3



FIG. 4

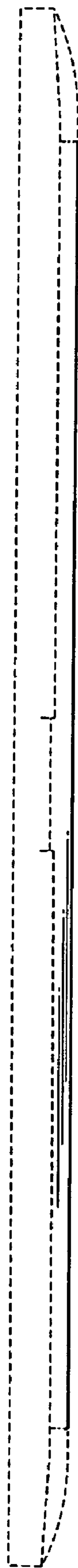


FIG.5



FIG. 6

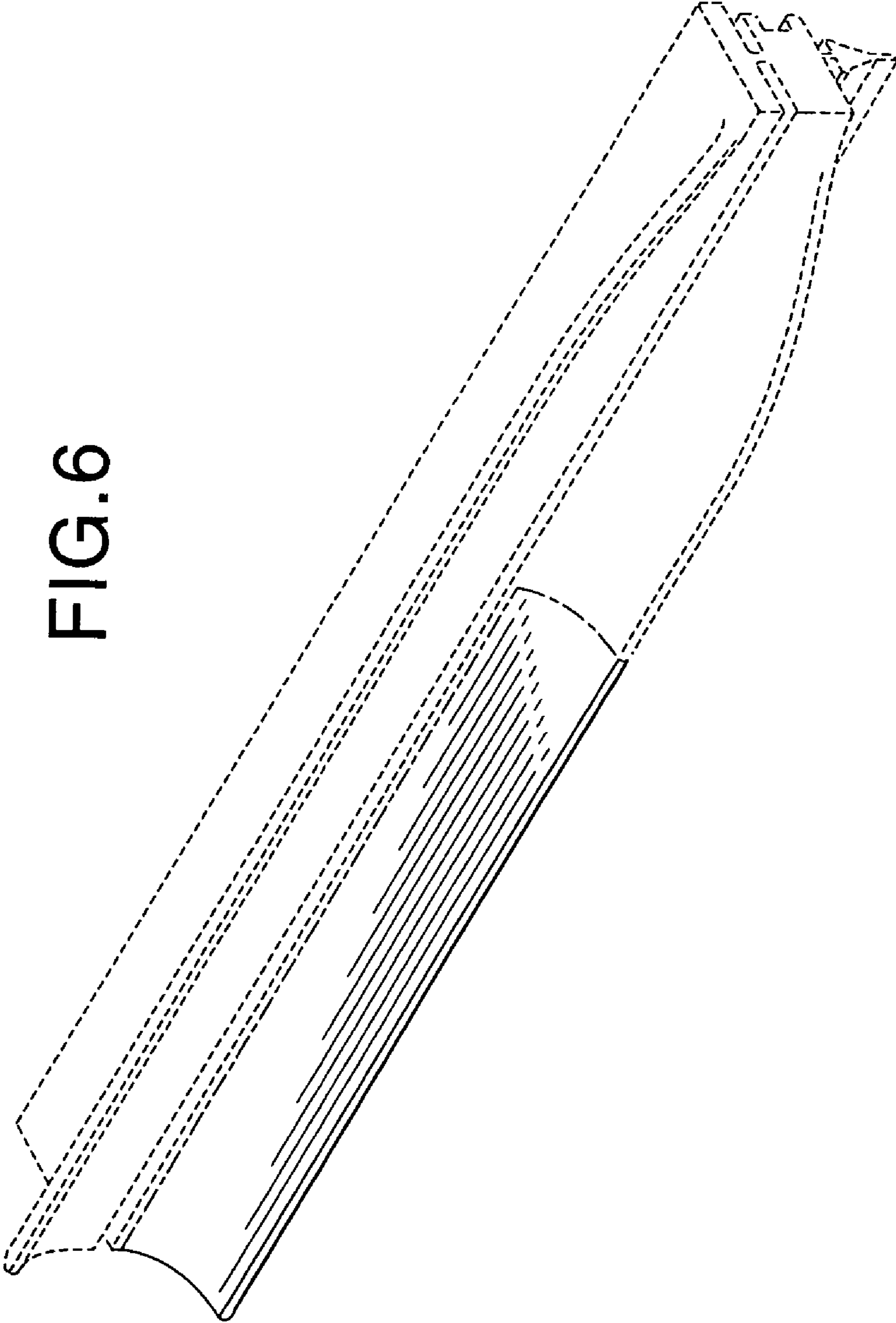


FIG. 7

